



US00D683661S

(12) **United States Design Patent**
Horne

(10) **Patent No.:** **US D683,661 S**
(45) **Date of Patent:** **** Jun. 4, 2013**

(54) **BICYCLE FRAME BOTTOM BRACKET**

(75) Inventor: **Mike Horne**, Clayton (AU)

(73) Assignee: **Madd Gear Pty, Ltd.** (AU)

(**) Term: **14 Years**

(21) Appl. No.: **29/405,850**

(22) Filed: **Nov. 7, 2011**

(30) **Foreign Application Priority Data**

Aug. 24, 2011 (AU) 201113760

(51) **LOC (9) Cl.** **12-11**

(52) **U.S. Cl.**
USPC **D12/111; D12/223**

(58) **Field of Classification Search**
USPC D12/111, 117, 223; 280/274–280,
280/281.1, 283–288, 288.1–288.4
See application file for complete search history.

(56) **References Cited**

U.S. PATENT DOCUMENTS

| | | | | | |
|-----------|-----|---------|------------------|-------|-----------|
| 3,860,265 | A * | 1/1975 | Weiss | | 280/281.1 |
| 4,067,589 | A * | 1/1978 | Hon | | 280/278 |
| 4,746,136 | A * | 5/1988 | Kirk | | 280/281.1 |
| 5,072,961 | A * | 12/1991 | Huppe | | 280/278 |
| D343,147 | S * | 1/1994 | Cognata et al. | | D12/111 |
| 5,478,100 | A * | 12/1995 | McDermitt et al. | | 280/281.1 |

| | | | | | |
|-----------|------|---------|--------------|-------|-----------|
| D368,679 | S * | 4/1996 | Dietz et al. | | D12/111 |
| D372,212 | S * | 7/1996 | Dietz et al. | | D12/111 |
| D510,059 | S * | 9/2005 | Hickman | | D12/117 |
| D517,452 | S * | 3/2006 | Hickman | | D12/111 |
| 7,562,890 | B2 * | 7/2009 | Yu | | 280/288.3 |
| 7,651,110 | B2 * | 1/2010 | Davis et al. | | 280/281.1 |
| 7,793,959 | B2 * | 9/2010 | Vandermark | | 280/281.1 |
| 8,042,822 | B2 * | 10/2011 | D'Aluisio | | 280/274 |
| 8,167,327 | B2 * | 5/2012 | Chamberlain | | 280/279 |

* cited by examiner

Primary Examiner — Susan M Lee

Assistant Examiner — Linda G Brooks

(74) *Attorney, Agent, or Firm* — Troutman Sanders LLP;
Robert R. Elliott, Jr.

(57) **CLAIM**

The ornamental design for bicycle frame bottom bracket, as shown and described.

DESCRIPTION

FIG. 1 is a top, right side perspective view of a bicycle frame bottom bracket;

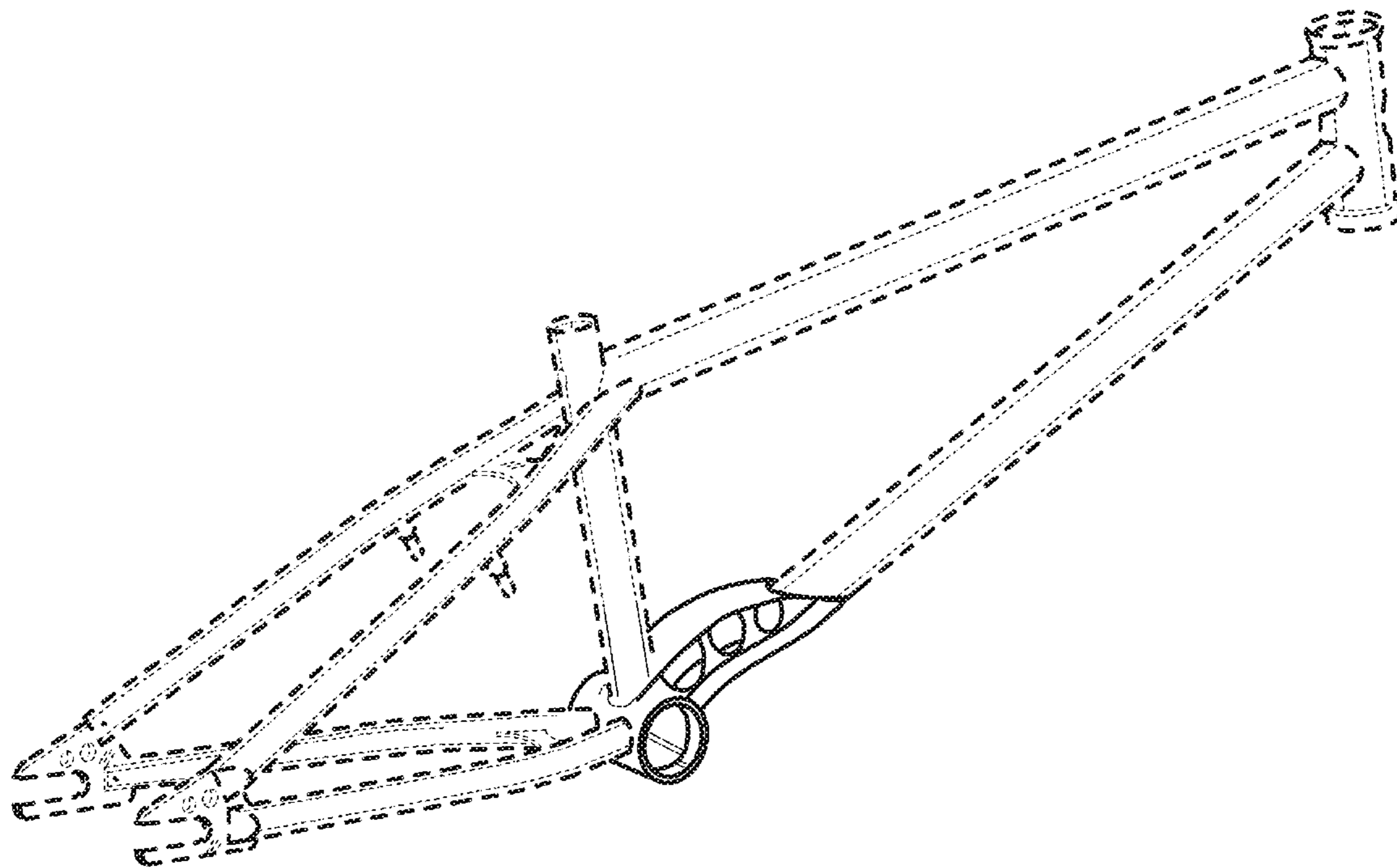
FIG. 2 is a right side view of a bicycle frame bottom bracket;

FIG. 3 is a left side view of a bicycle frame bottom bracket; and,

FIG. 4 is a bottom view of a bicycle frame bottom bracket.

The broken, dashed lines shown in the various figures are included for the purpose of illustrating environment and do not form any part of the claimed design.

1 Claim, 4 Drawing Sheets



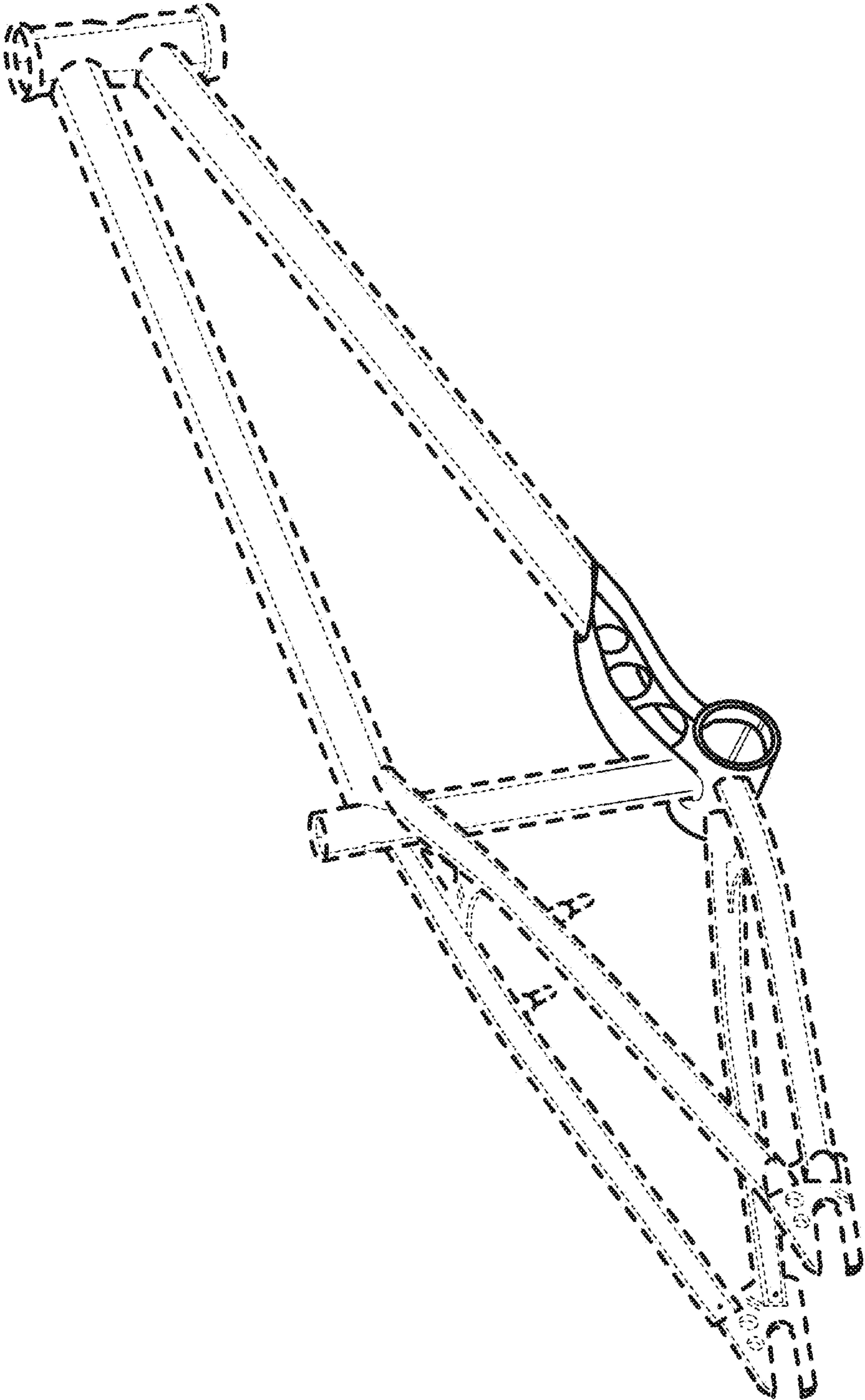


Fig. 1

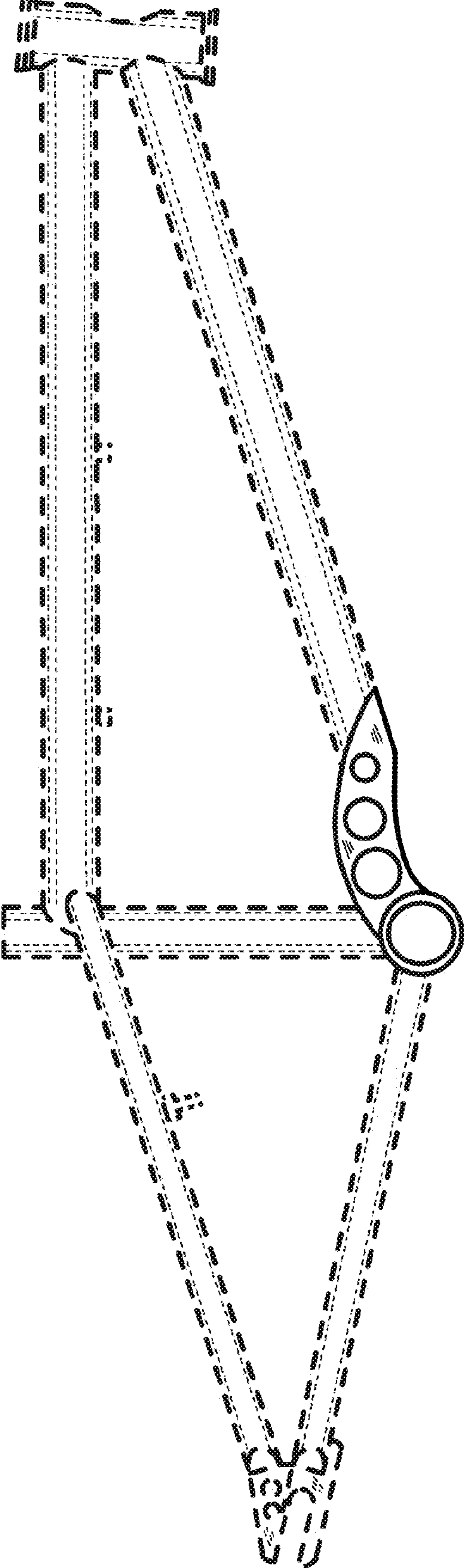


Fig. 2

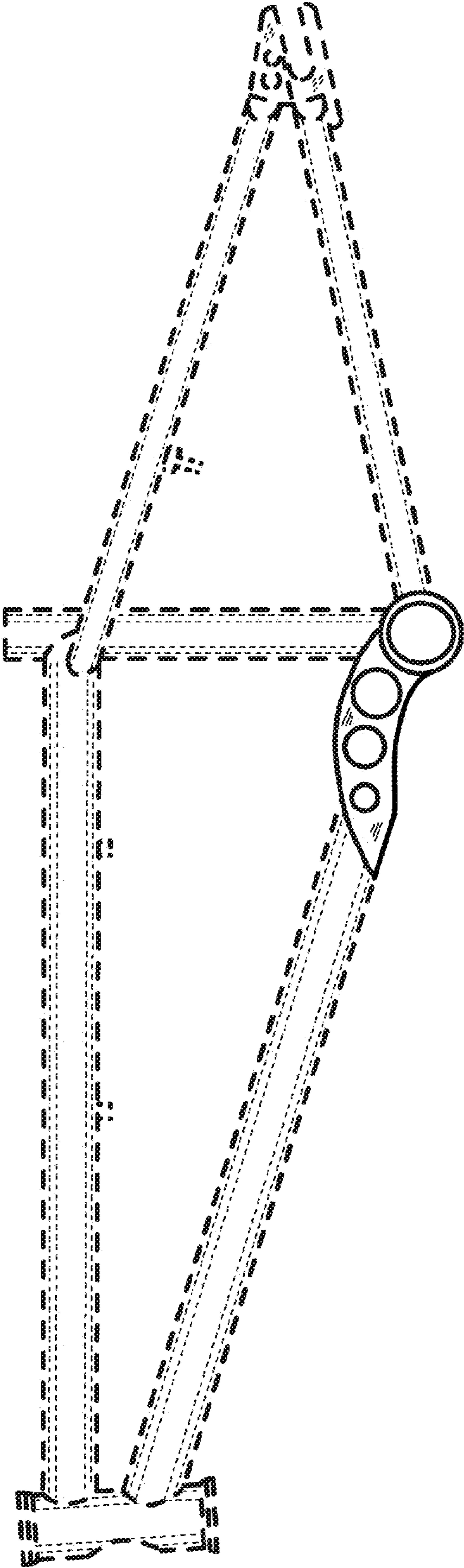


Fig. 3

Fig. 4

