



US00D683653S

(12) **United States Design Patent**
Moreau et al.

(10) **Patent No.:** **US D683,653 S**
(45) **Date of Patent:** **** Jun. 4, 2013**

(54) **CLIP ASSEMBLY**

(76) Inventors: **Darrell A. Moreau**, Manchester, NH (US); **Andre W. Moreau**, Spring Hill, FL (US)

(**) Term: **14 Years**

(21) Appl. No.: **29/423,525**

(22) Filed: **Jun. 1, 2012**

(51) **LOC (9) Cl.** **02-07**

(52) **U.S. Cl.**

USPC **D11/215**

(58) **Field of Classification Search**

USPC D11/1-2, 200-201, 206-210, 214-218;
24/163 R, 169-171, 173, 177-179, 191,
194-195, 197, 200, 614-616, 625

See application file for complete search history.

(56) **References Cited**

U.S. PATENT DOCUMENTS

1,792,923	A *	2/1931	O'Neil	24/69	SK
D332,433	S *	1/1993	Bougher	D11/216	
D391,895	S	3/1998	Anscher			
D619,495	S *	7/2010	Herman	D11/215	
D651,122	S *	12/2011	Vincent et al.	D11/216	

* cited by examiner

Primary Examiner — Ralf Seifert

(74) *Attorney, Agent, or Firm* — Robert R Deleault, Esq.;
Mesner & Deleault, PLLC

(57) **CLAIM**

We claim the ornamental design for the clip assembly, as shown and described.

DESCRIPTION

FIG. 1 is a front, left perspective view of an clip assembly in a closed position showing our new design.

FIG. 2 is a front, right perspective view thereof.

FIG. 3 is a top view thereof.

FIG. 4 is a bottom plan view thereof.

FIG. 5 is a right side plan view thereof;

FIG. 6 is a left side plan view thereof.

FIG. 7 is front plan view thereof.

FIG. 8 is a rear plan view thereof.

FIG. 9 is a front, left perspective view of the clip assembly in an open position.

FIG. 10 is a front, right perspective view of the clip assembly in an open position.

FIG. 11 is a top plan view of the clip assembly in an open position.

FIG. 12 is a right side plan view of the clip assembly in an open position.

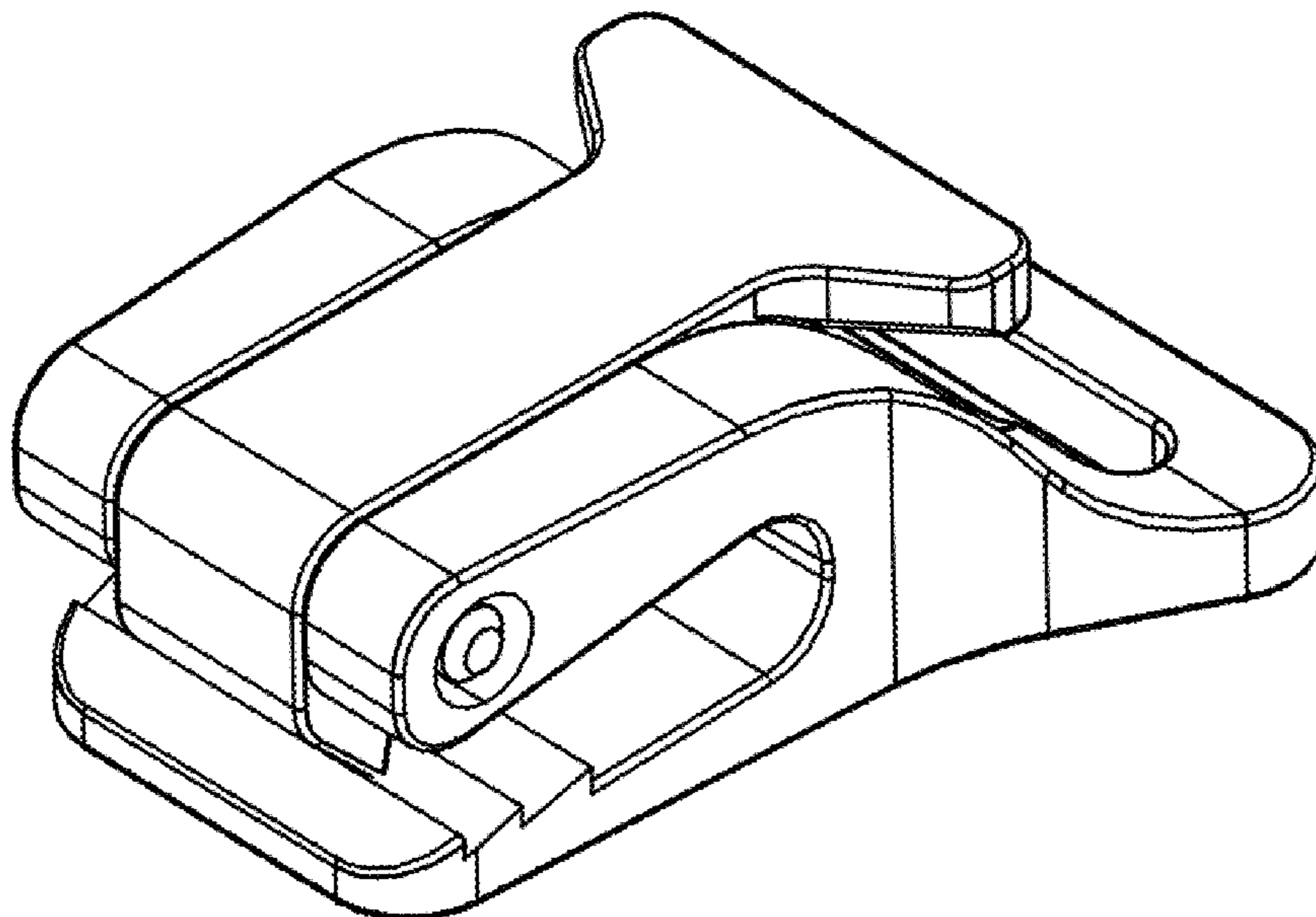
FIG. 13 is a left side plan view of the clip assembly in an open position.

FIG. 14 is a front plan view of the clip assembly in an open position.

FIG. 15 is a rear plan view of the clip assembly in an open position; and,

FIG. 16 is an exploded, front, left perspective view of the clip assembly.

1 Claim, 4 Drawing Sheets



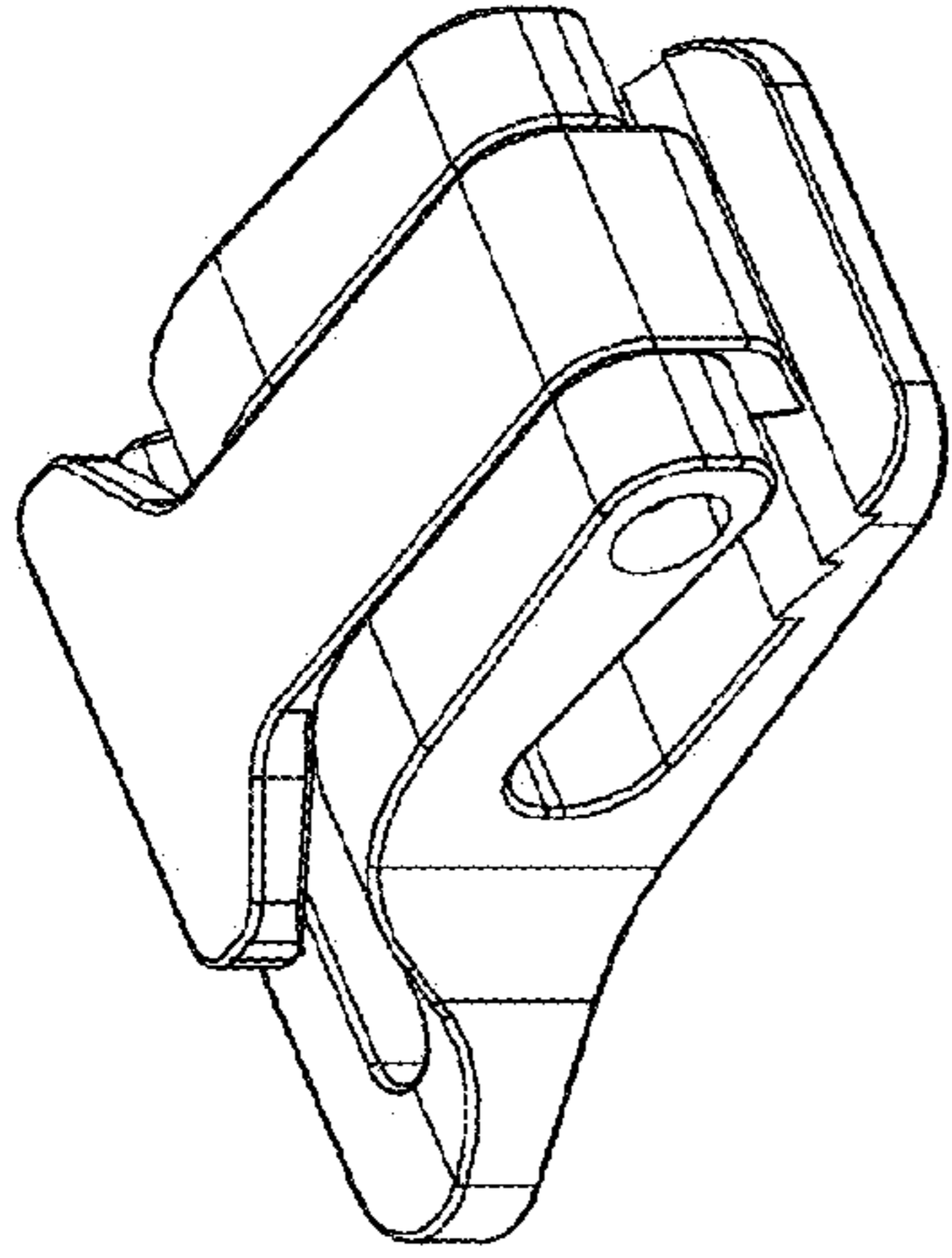


Fig. 1

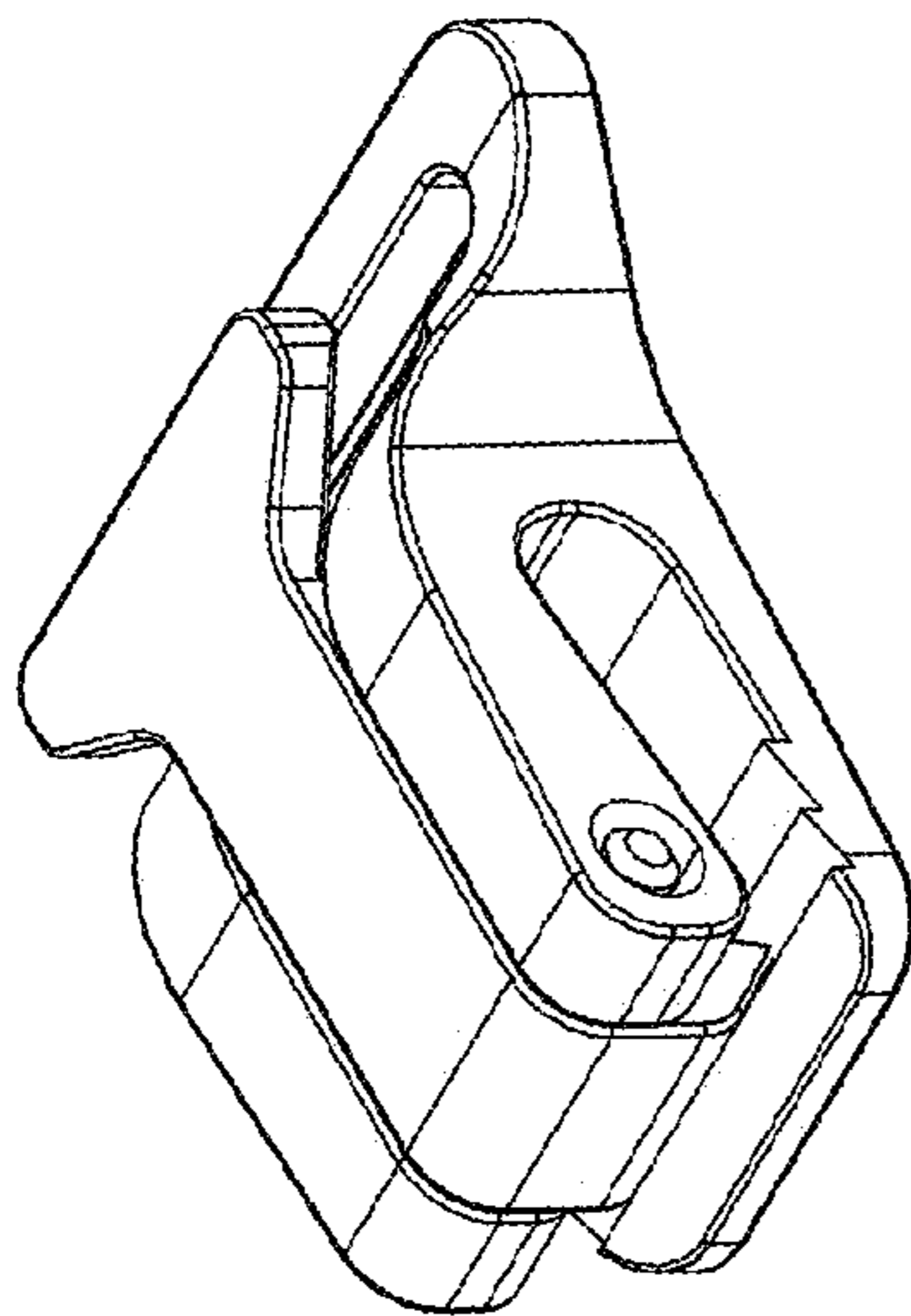


Fig. 2

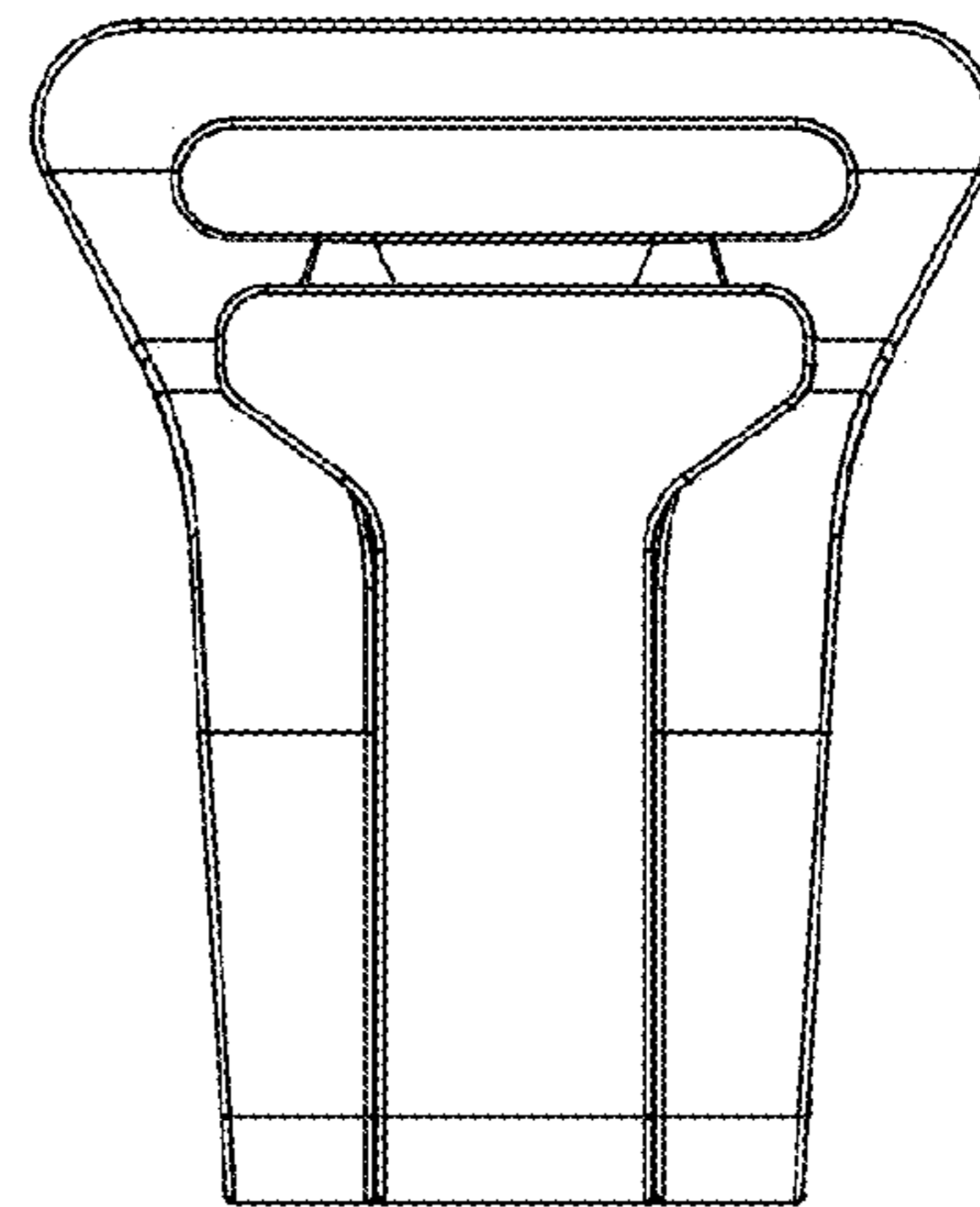


Fig. 3

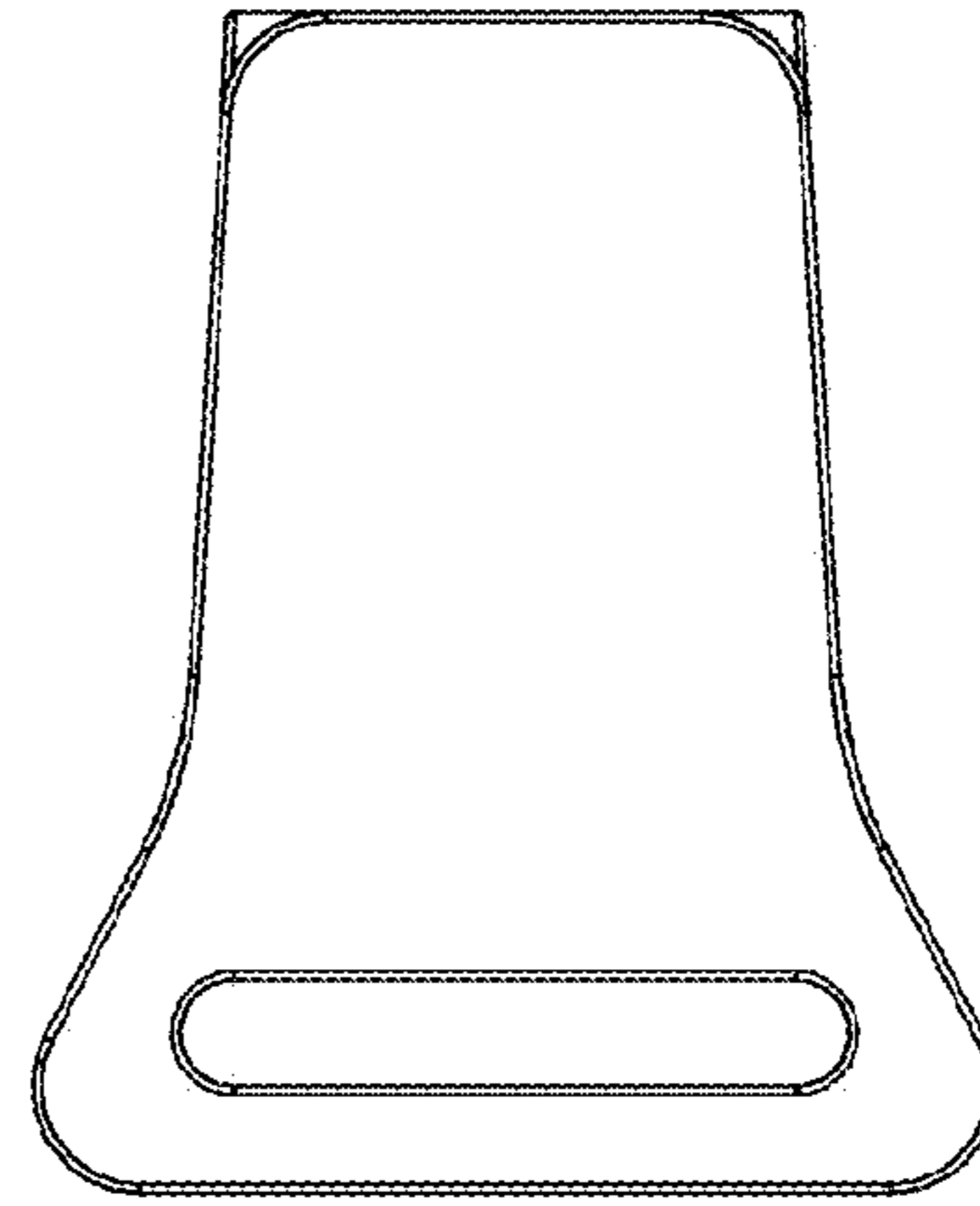


Fig. 4

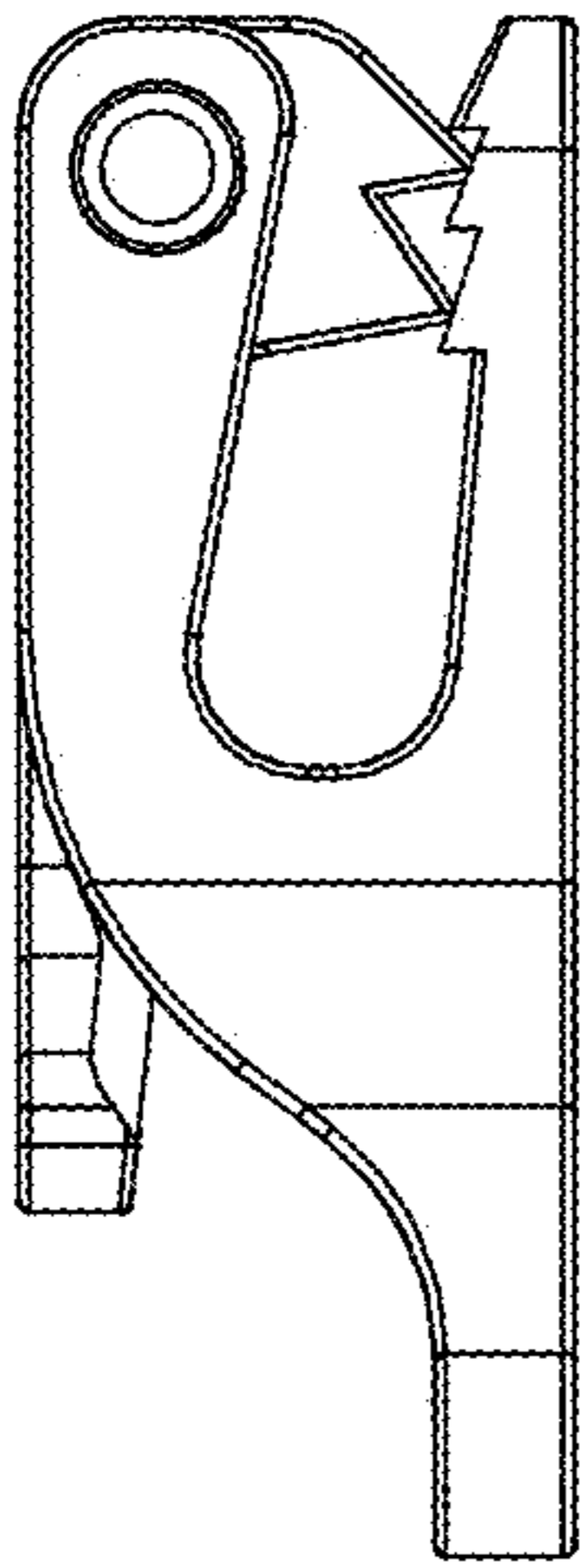


Fig. 5

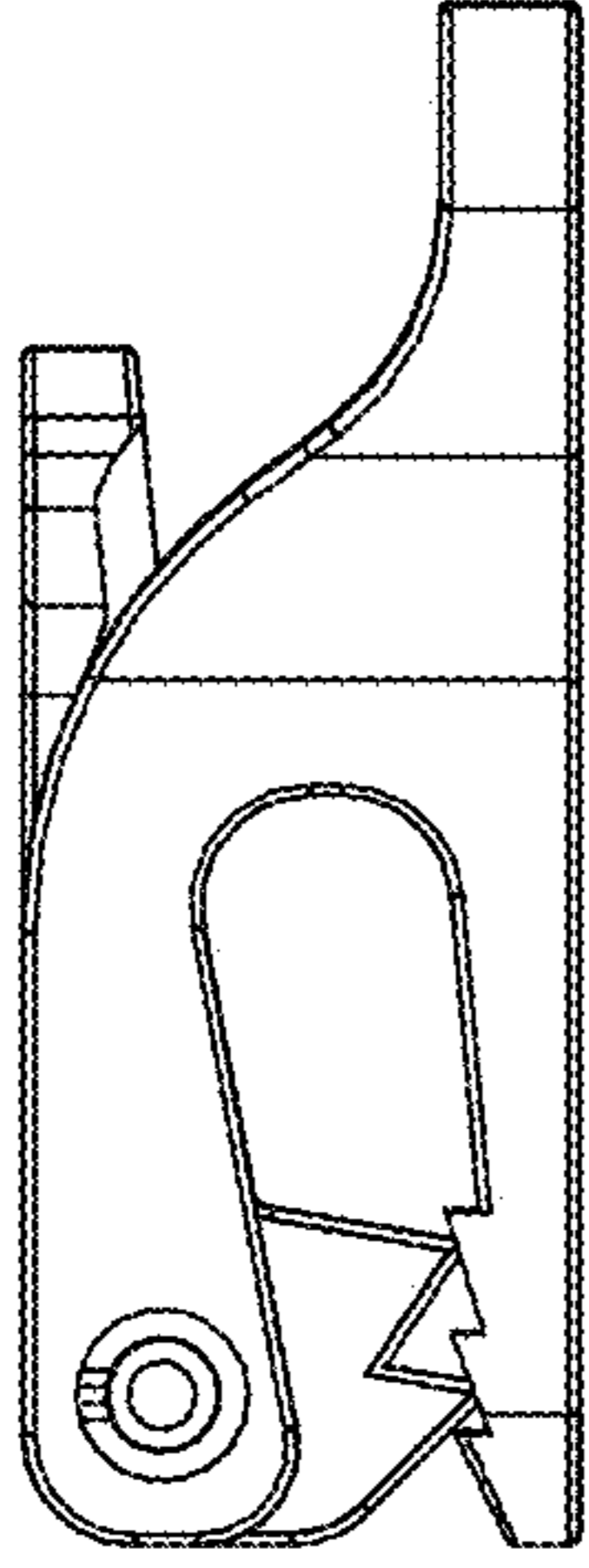


Fig. 6

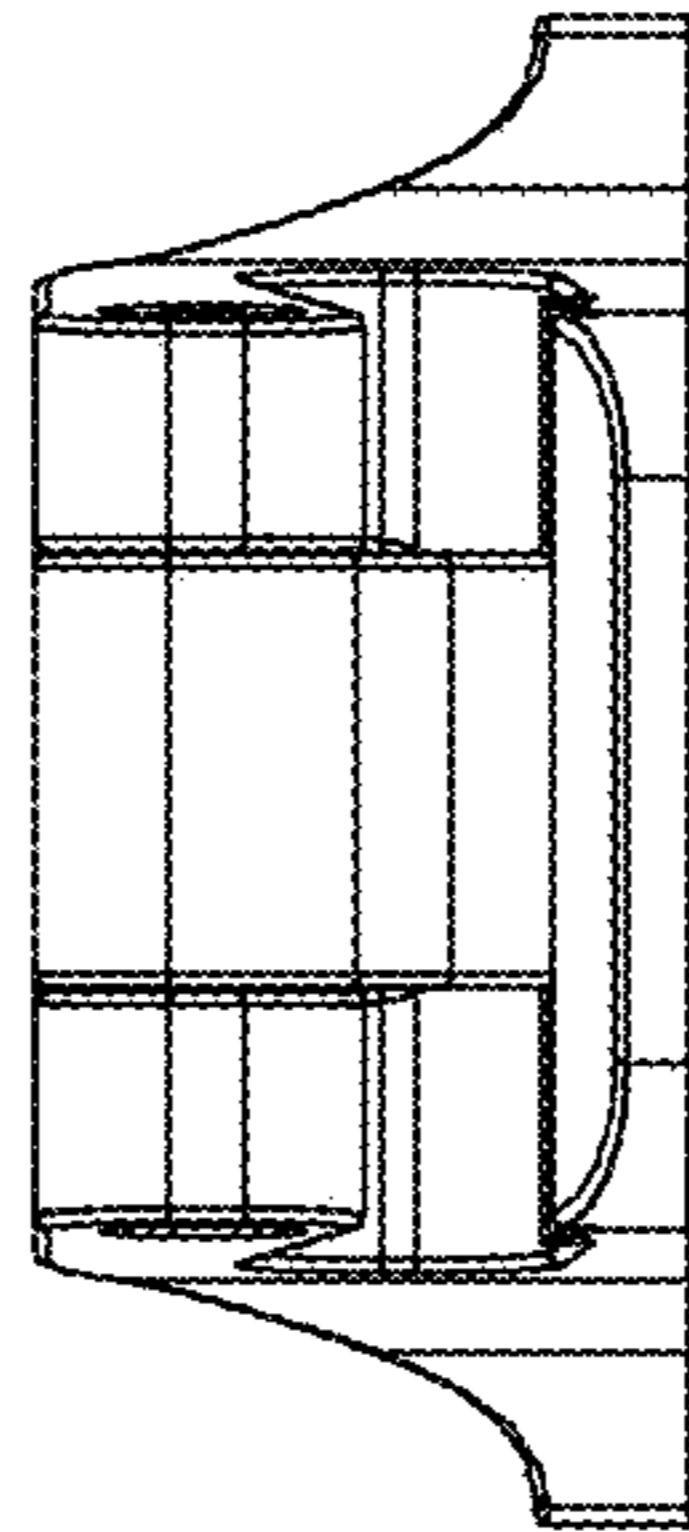


Fig. 7

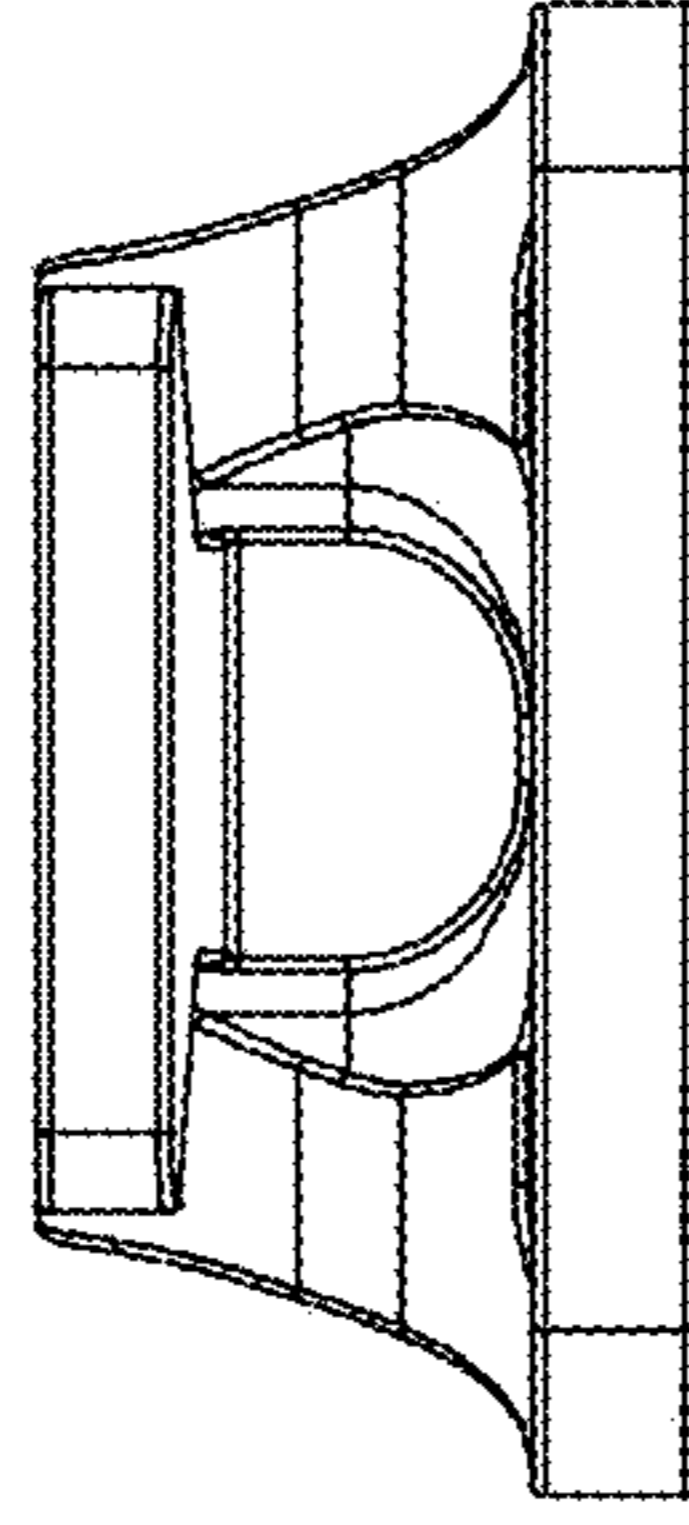


Fig. 8

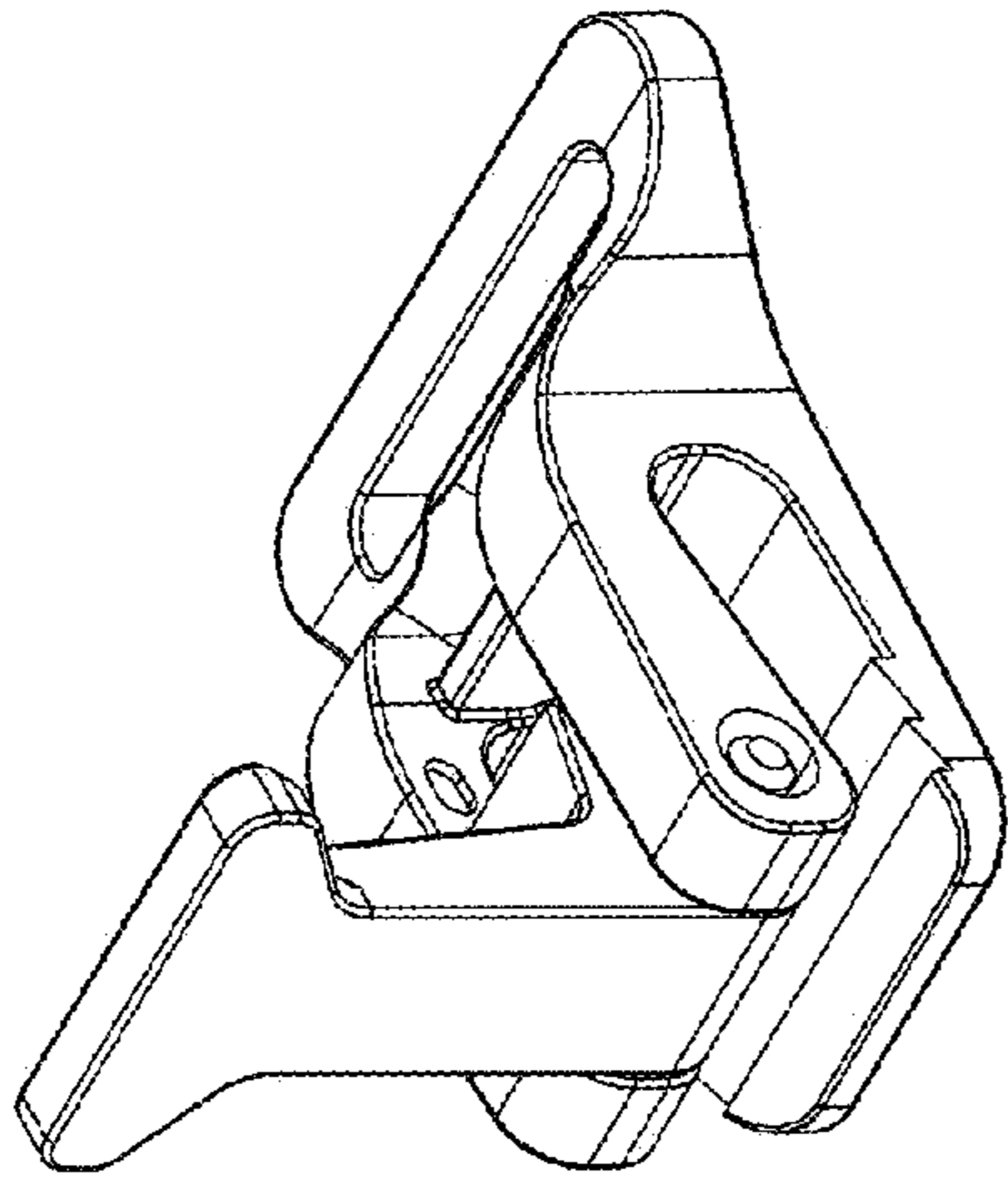


Fig. 9

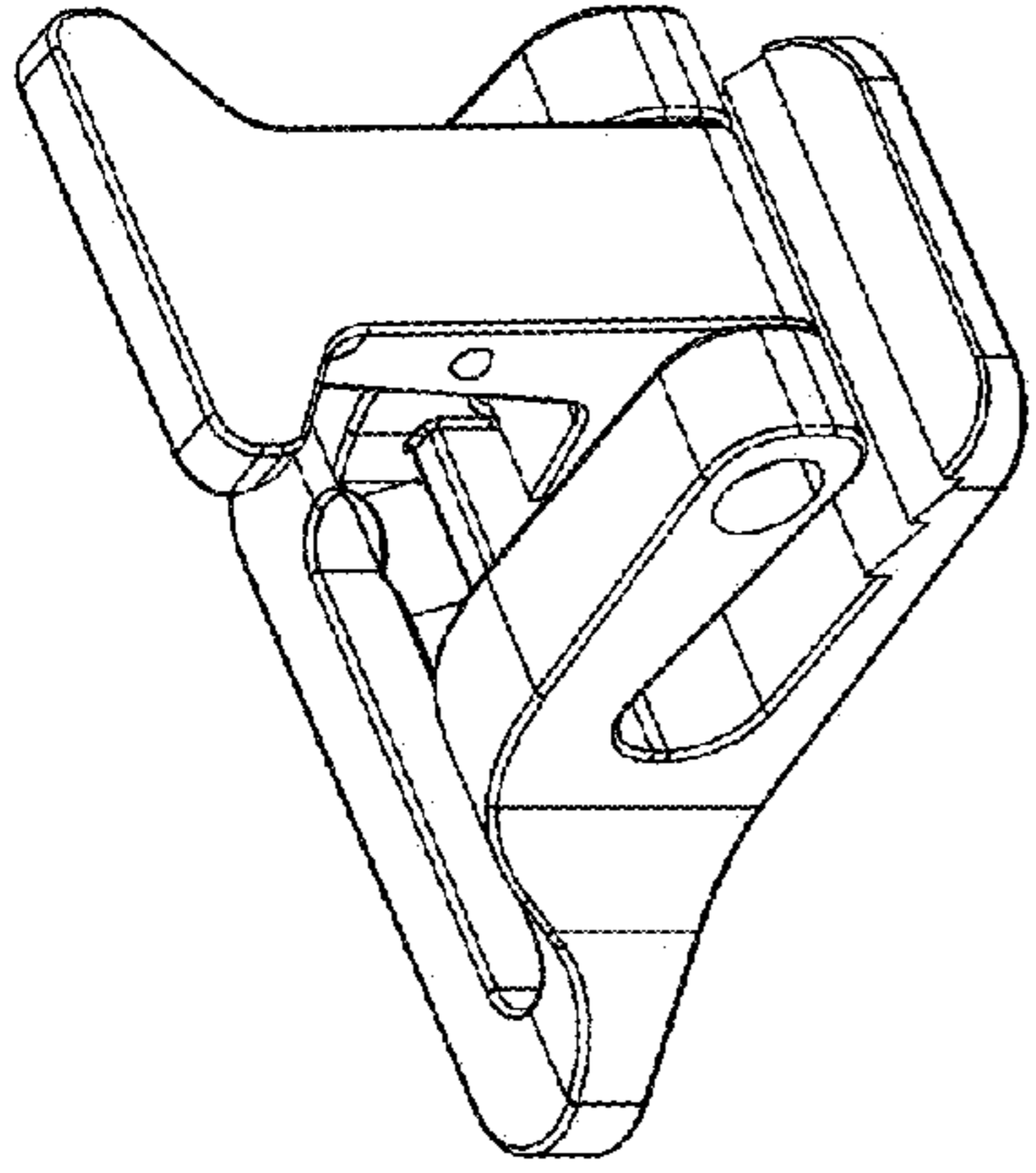


Fig. 10

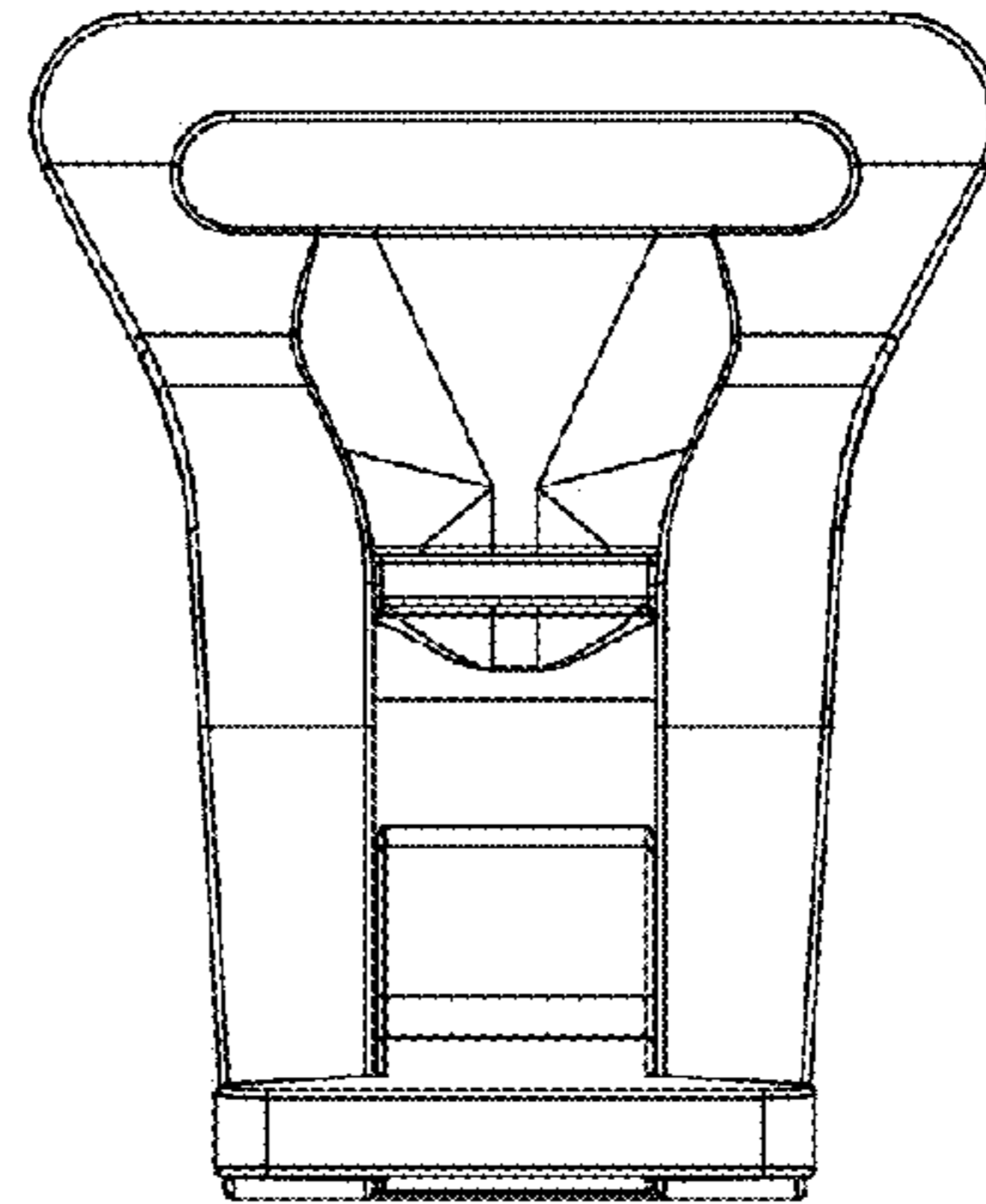


Fig. 11

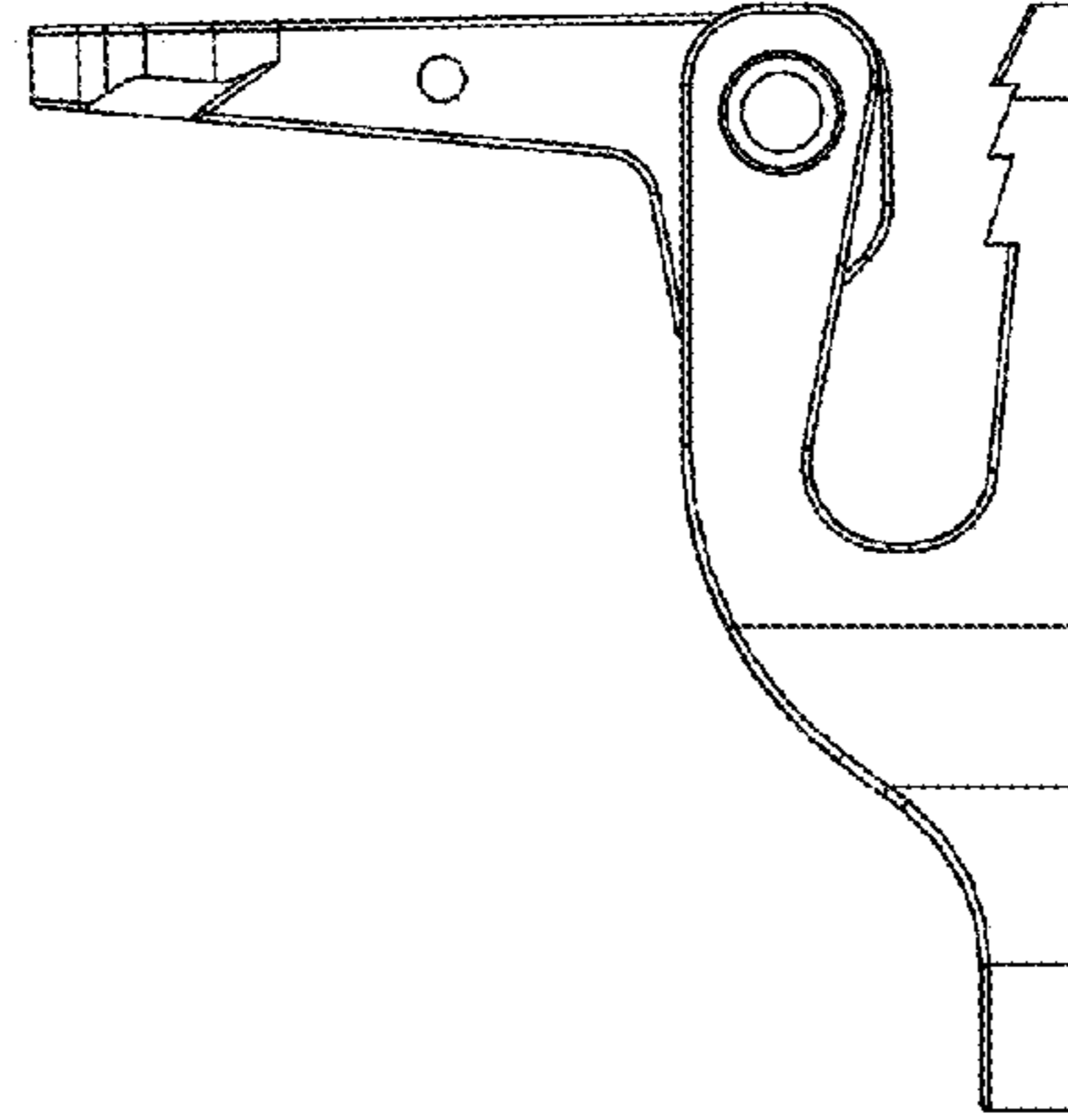


Fig. 12

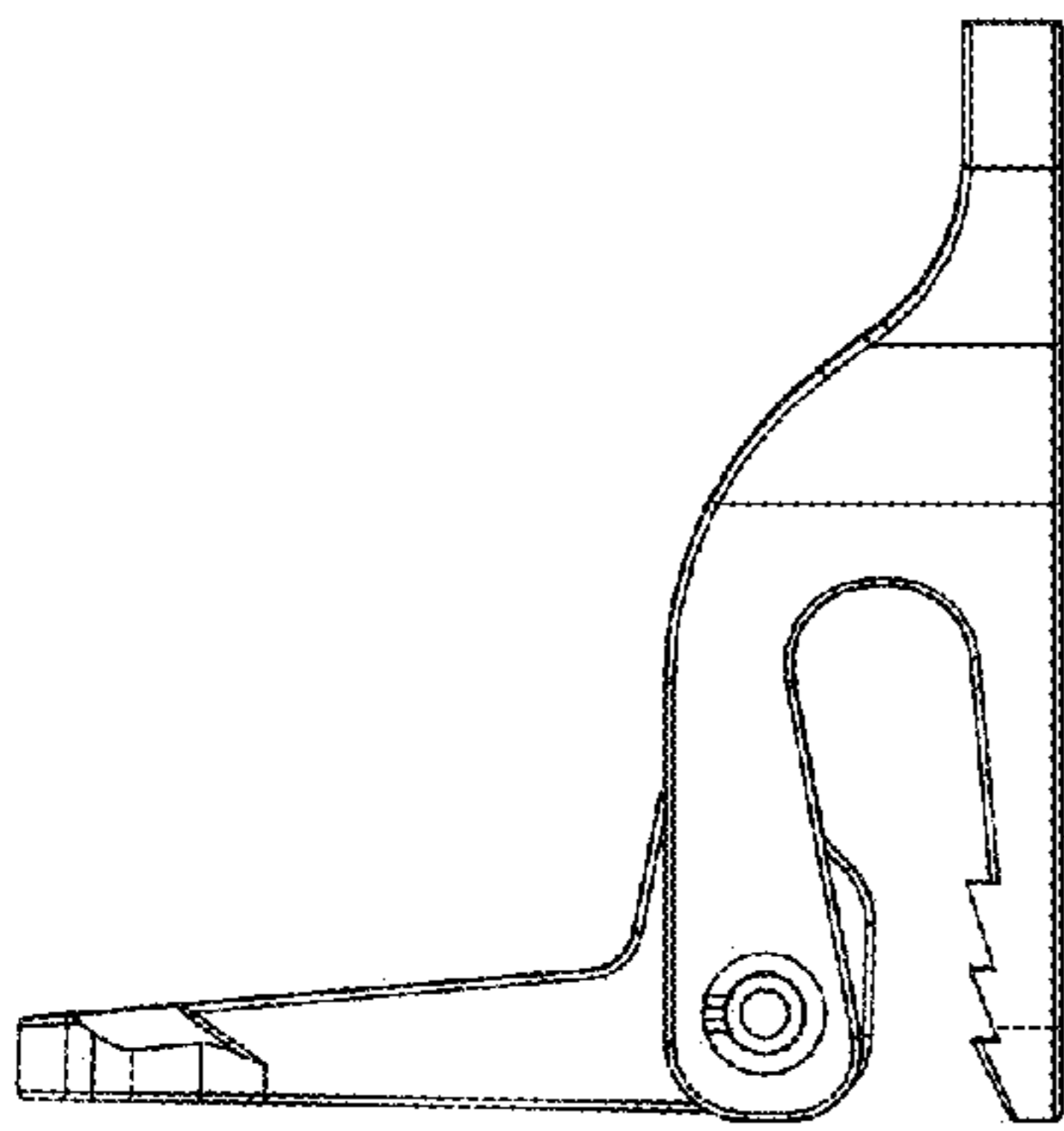


Fig. 13

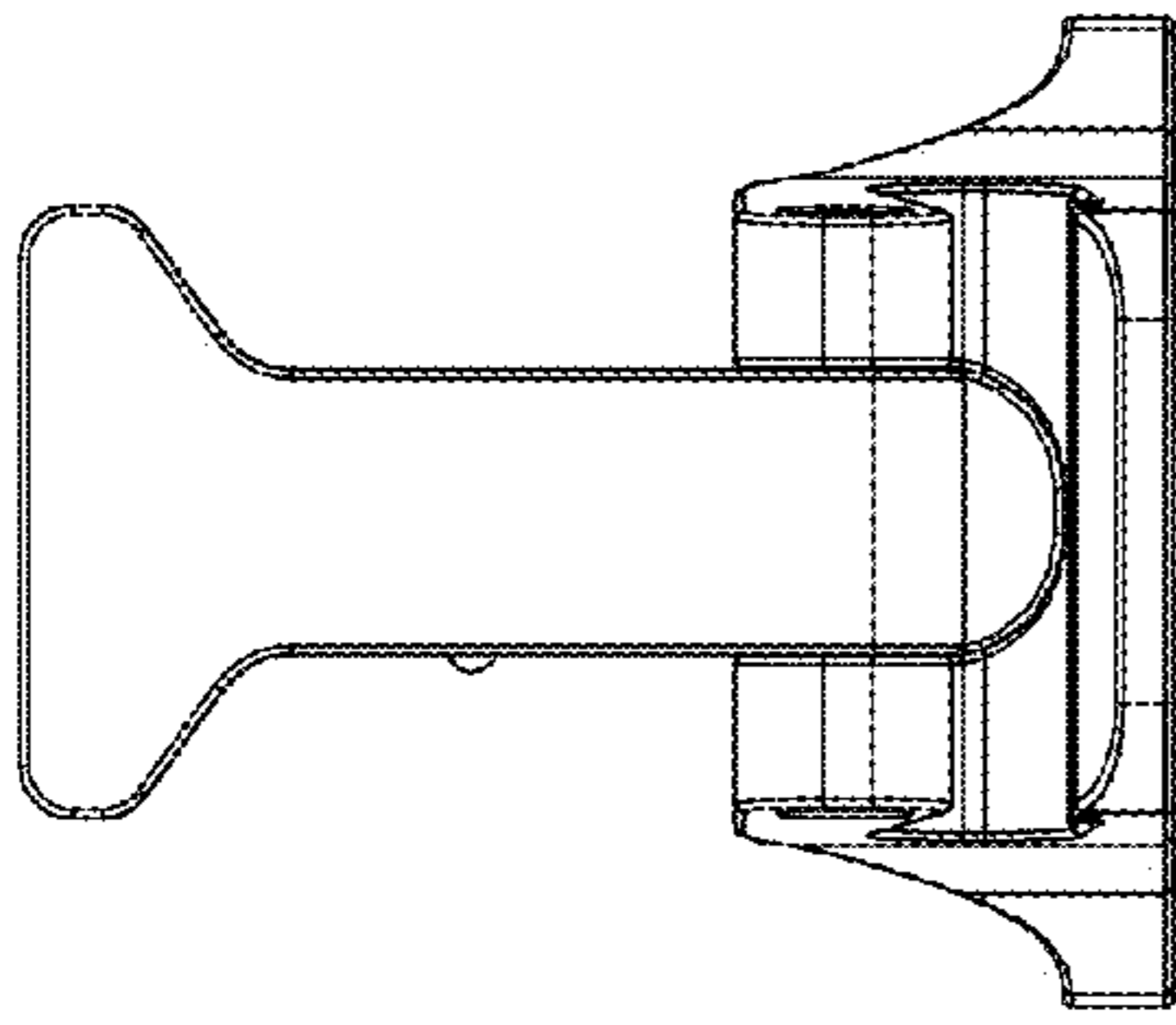


Fig. 14

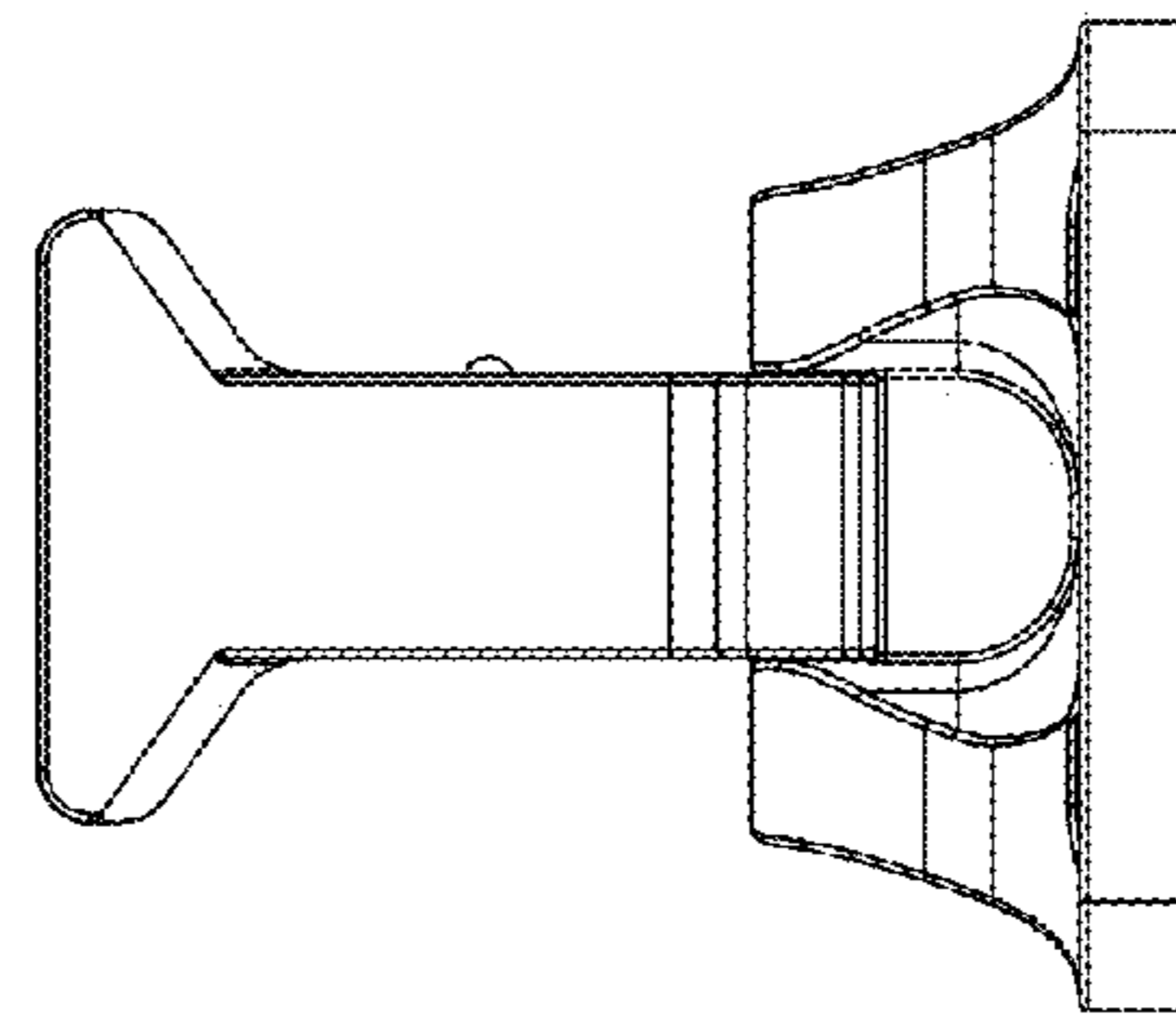


Fig. 15

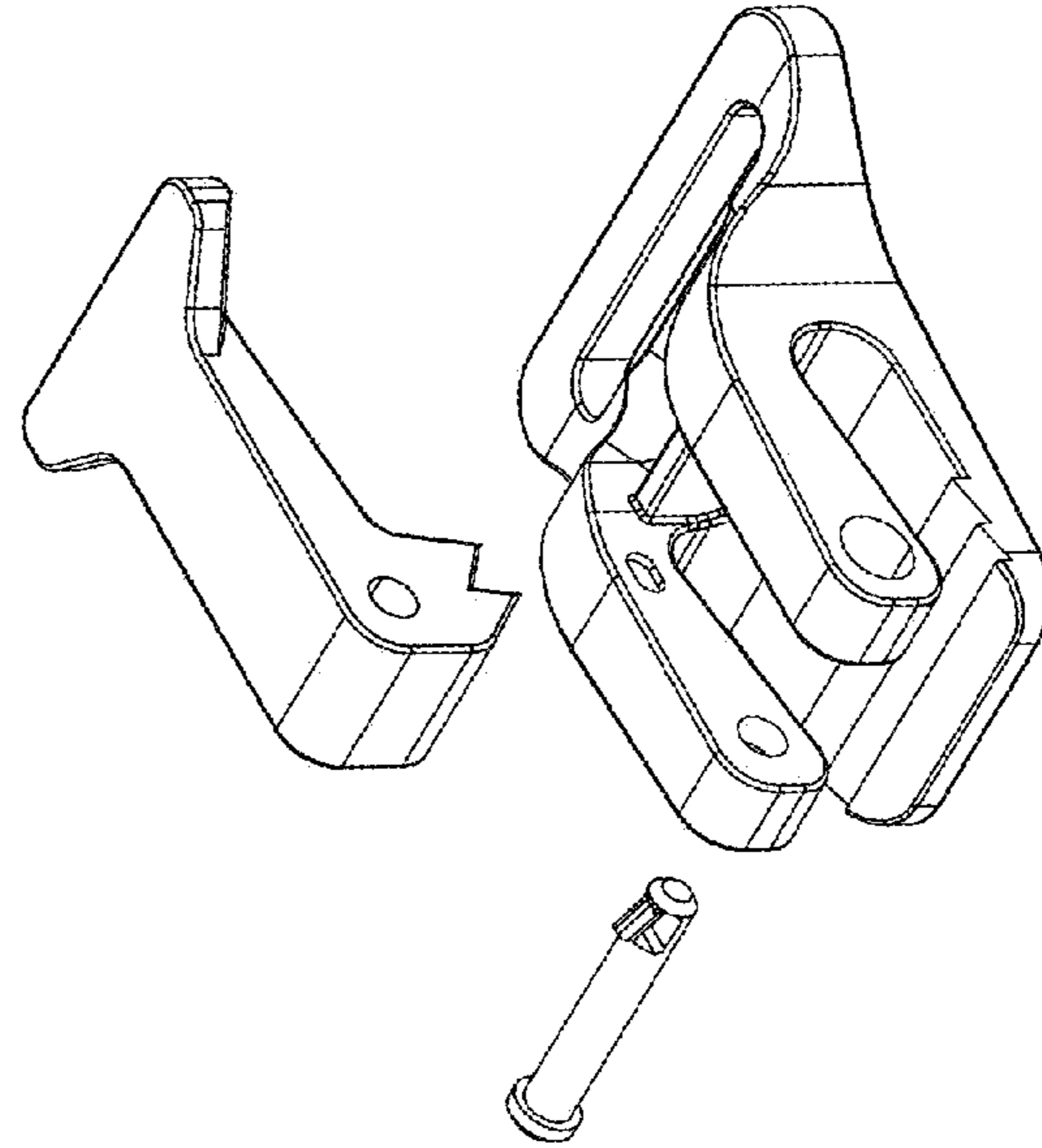


Fig. 16