



US00D683650S

(12) **United States Design Patent**
Papadimitriou

(10) **Patent No.:** **US D683,650 S**

(45) **Date of Patent:** **** Jun. 4, 2013**

(54) **PAIR OF EARRINGS**

(75) **Inventor:** **Costantino Papadimitriou, Milan (IT)**

(73) **Assignee:** **De Beers Centenary AG, Lucerne (CH)**

(**) **Term:** **14 Years**

(21) **Appl. No.:** **29/420,729**

(22) **Filed:** **May 11, 2012**

(51) **LOC (9) Cl.** **11-01**

(52) **U.S. Cl.**
USPC **D11/41**

(58) **Field of Classification Search**
USPC **D11/26-45, 79-85; 63/12, 13, 14.1-14.8**
See application file for complete search history.

(56) **References Cited**

U.S. PATENT DOCUMENTS

D93,423 S	9/1934	Samuels	
D354,927 S *	1/1995	Andrau	D11/40
D356,052 S *	3/1995	Andrau	D11/40
D418,446 S *	1/2000	Chia et al.	D11/93
7,121,117 B2 *	10/2006	Gruosi-Scheufele	63/1.14
D542,694 S *	5/2007	Schweizer	D11/34
D542,695 S *	5/2007	Schweizer	D11/34
D584,184 S *	1/2009	Dholakiya	D11/91
D587,159 S *	2/2009	Dholakiya	D11/91
D633,173 S	2/2011	Vinkemulder	
D650,308 S *	12/2011	Roehl et al.	D11/91
D654,822 S *	2/2012	Greppi	D11/86
D662,437 S *	6/2012	Verdeille	D11/34

* cited by examiner

Primary Examiner — Jennifer Rivard
Assistant Examiner — Melanie Pellegrini

(74) *Attorney, Agent, or Firm* — Dentons US LLP; Brian R. McGinley

(57) **CLAIM**

The ornamental design for pair of earrings, as shown and described.

DESCRIPTION

FIG. 1 is a top view of the pair of earrings illustrating the new design;
 FIG. 2 is a bottom view of the pair of earrings illustrated in FIG. 1;
 FIG. 3 is a left side elevational view of the pair of earrings illustrated in FIG. 1;
 FIG. 4 is a right side elevational view of the pair of earrings illustrated in FIG. 1;
 FIG. 5 is a front view of the pair of earrings shown in FIG. 1;
 FIG. 6 is a rear view of the pair of earrings illustrated in FIG. 1;
 FIG. 7 is a perspective view of the pair of earrings illustrated in FIG. 1;
 FIG. 8 is a top view of a second embodiment of the pair of earrings;
 FIG. 9 is a bottom view of the pair of earrings illustrated in FIG. 8;
 FIG. 10 is a left side elevational view of the pair of earrings illustrated in FIG. 8;
 FIG. 11 is a right side elevational view of the pair of earrings illustrated in FIG. 8;
 FIG. 12 is a front view of the pair of earrings shown in FIG. 8;
 FIG. 13 is a rear view of the pair of earrings illustrated in FIG. 8; and,
 FIG. 14 is a perspective view of the pair of earrings illustrated in FIG. 8.

1 Claim, 7 Drawing Sheets

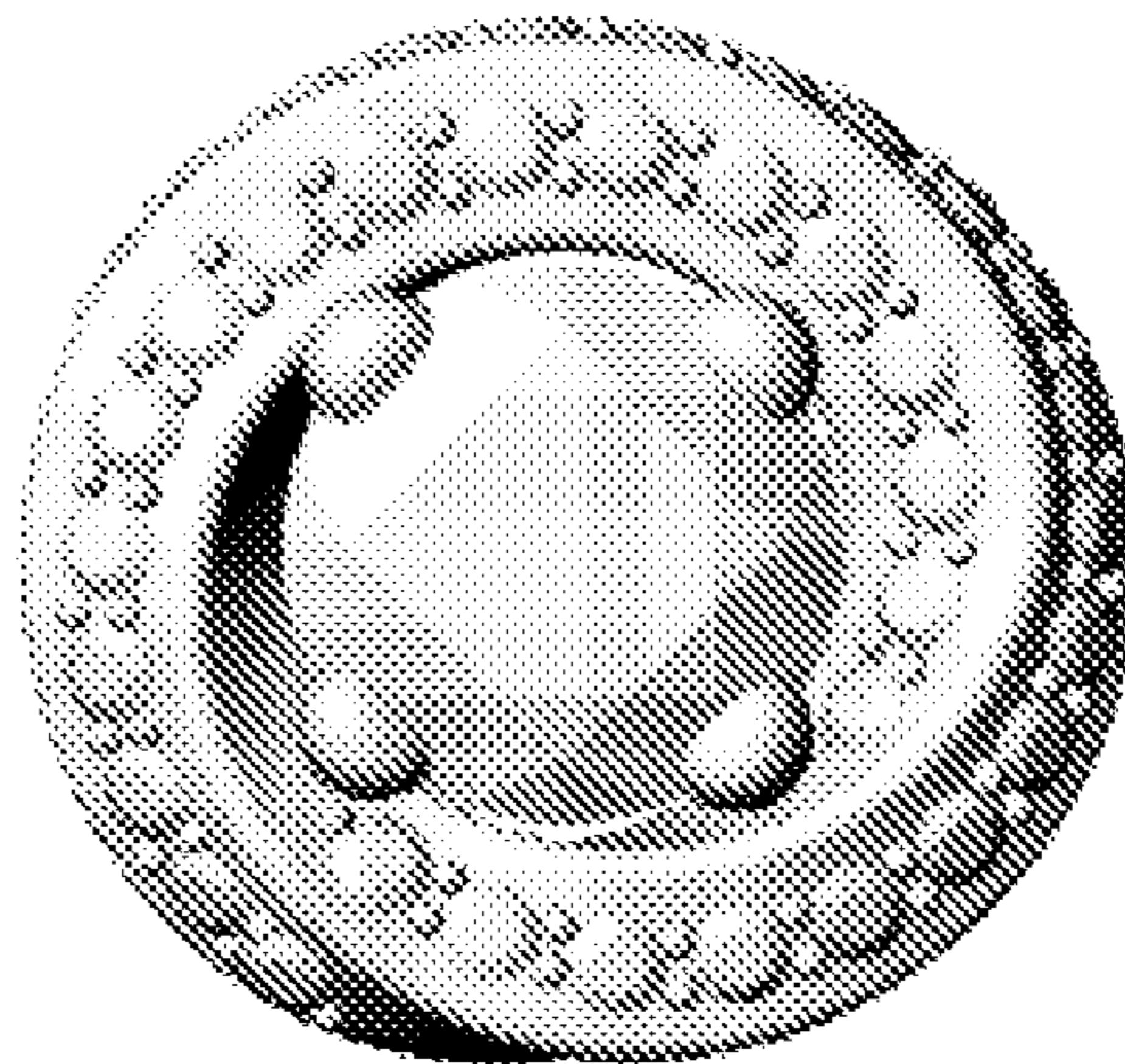
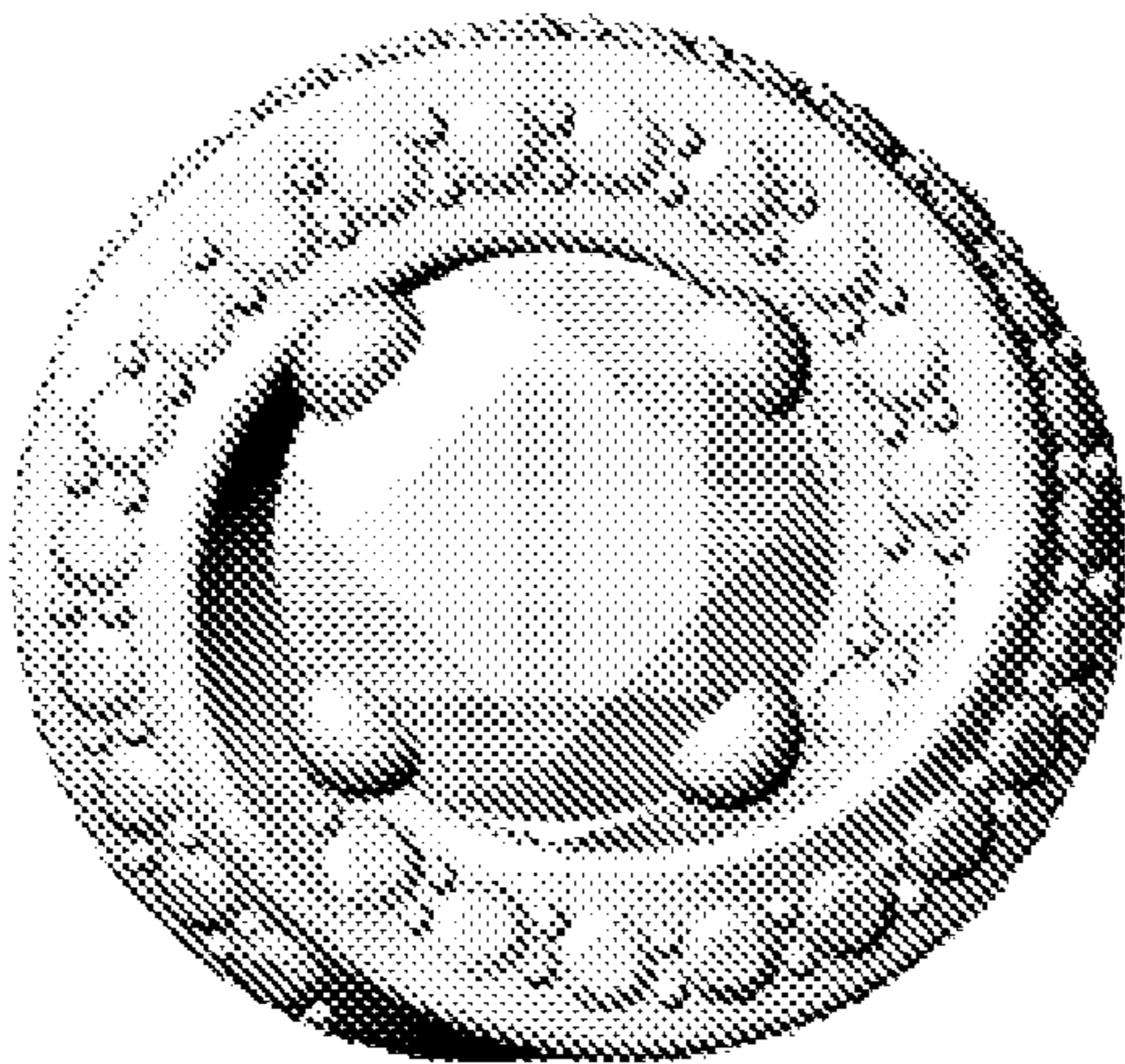


FIG. 1

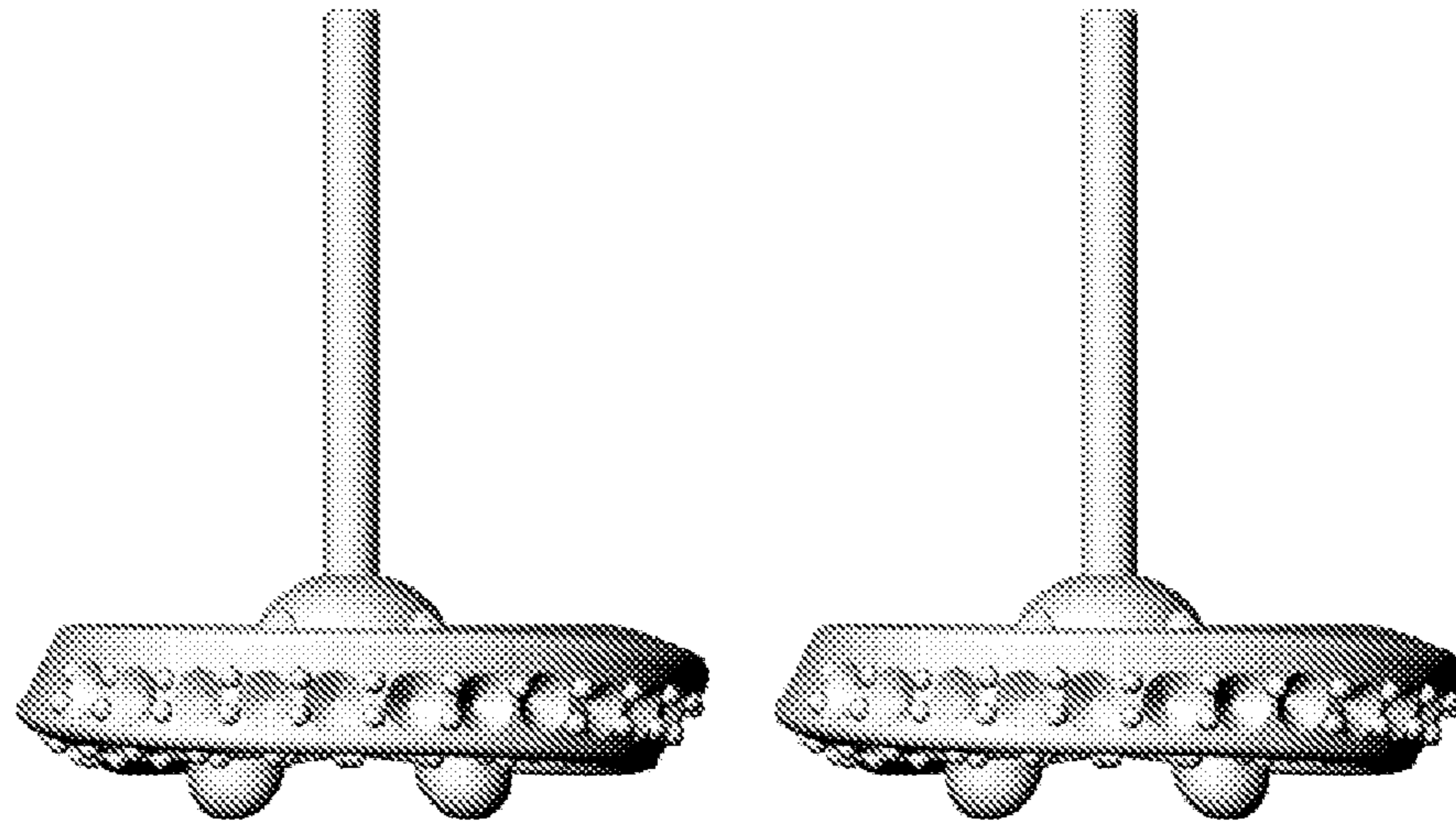


FIG. 2

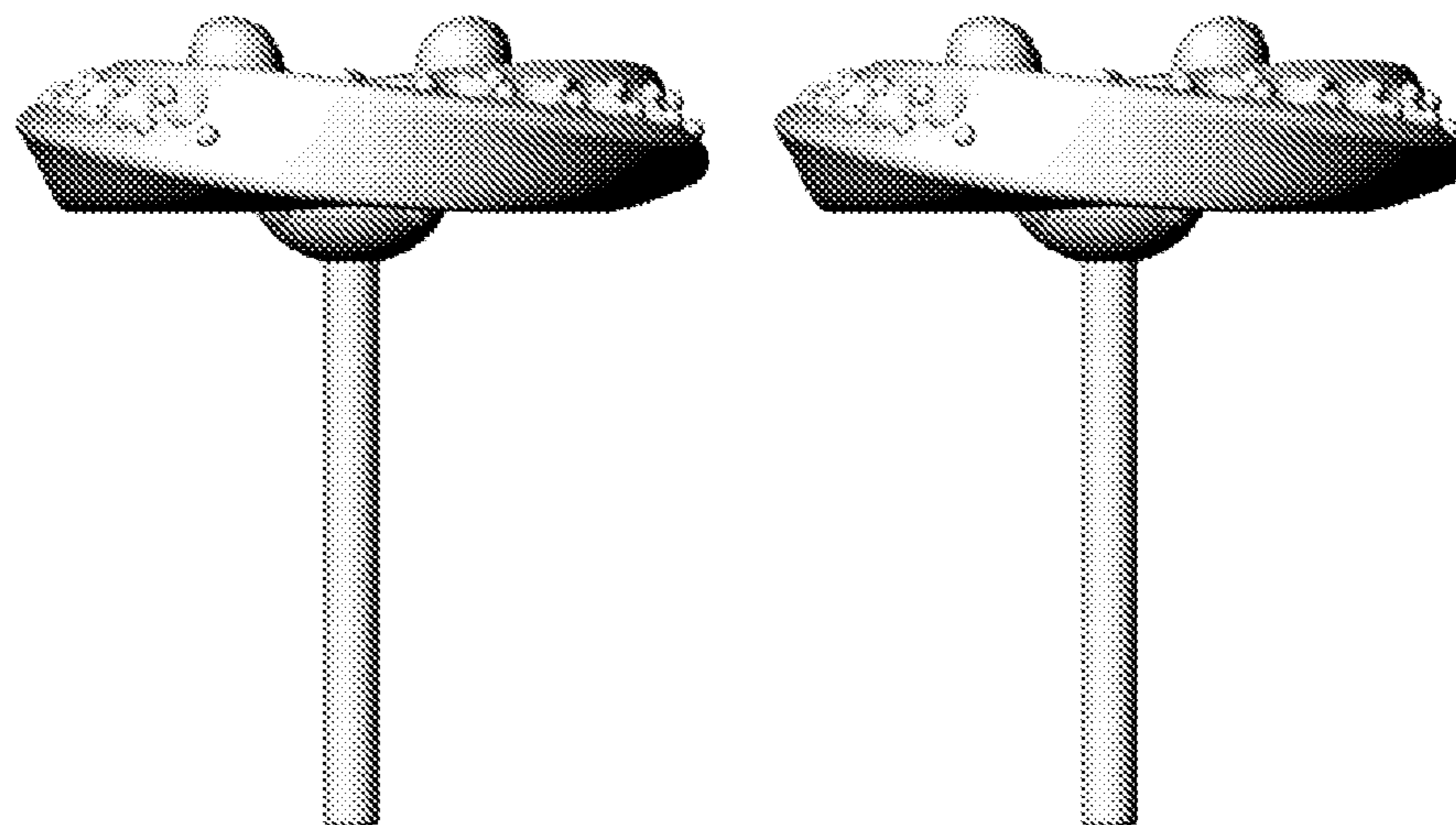


FIG. 3

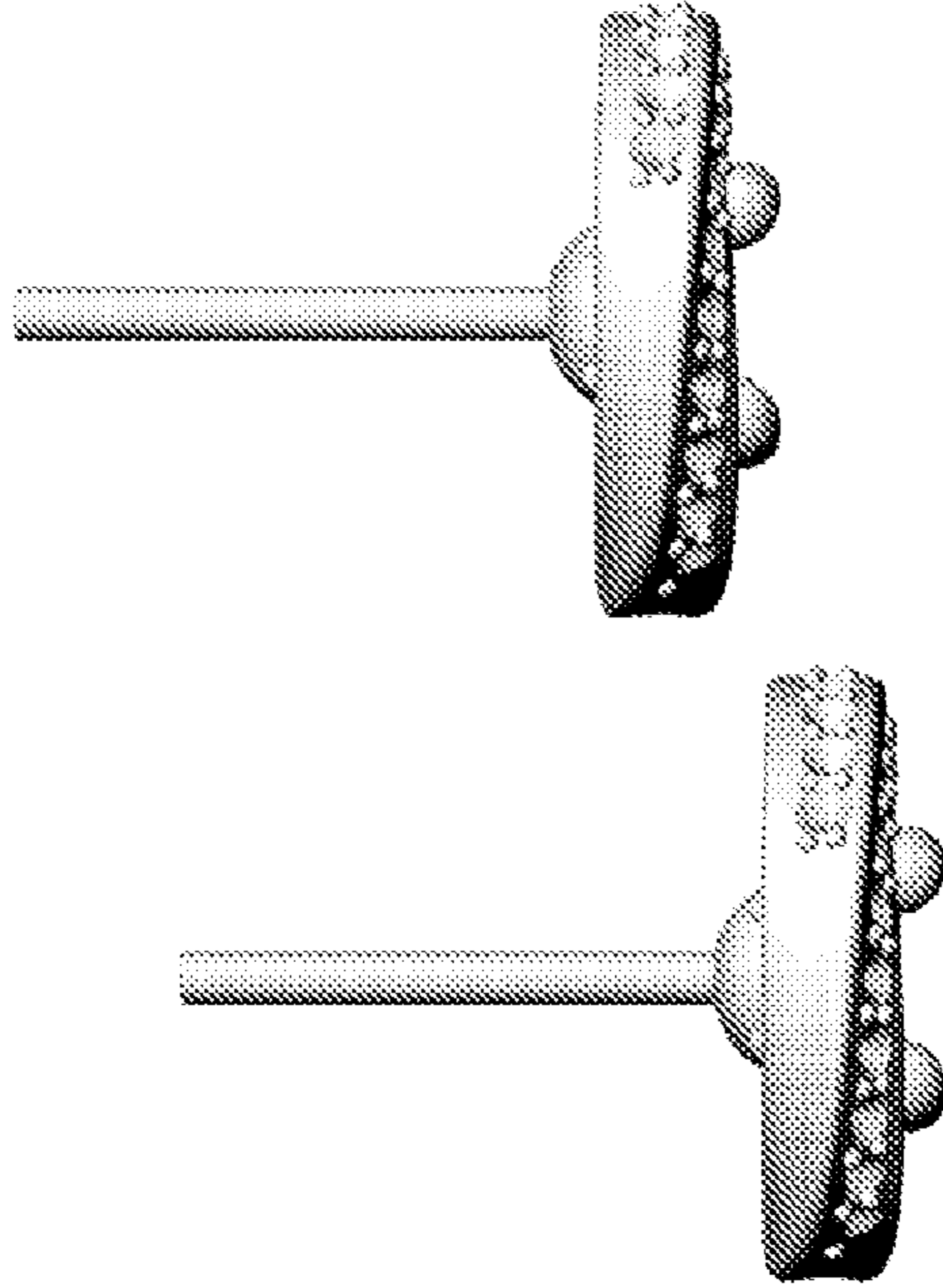


FIG. 4

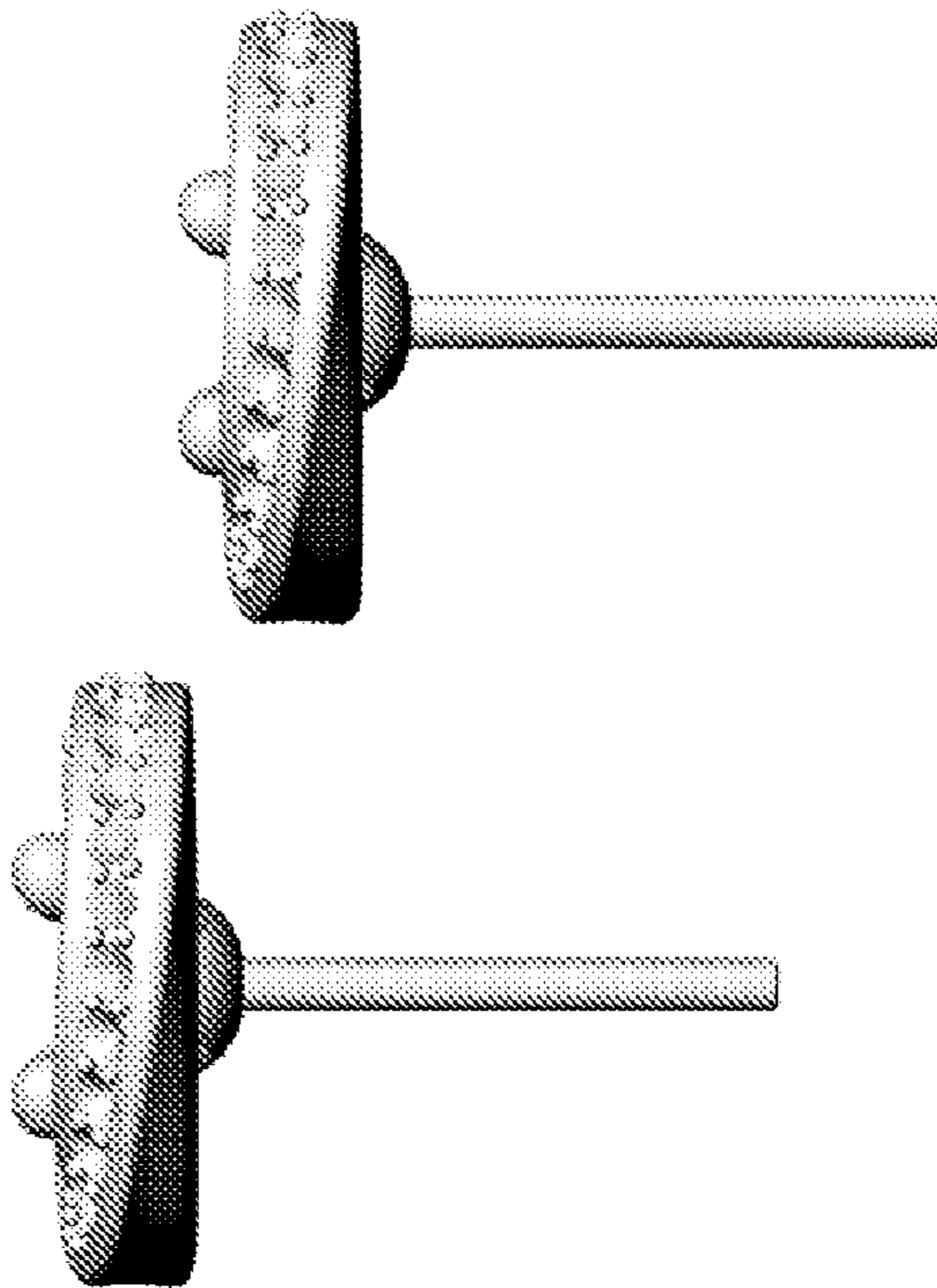


FIG. 5

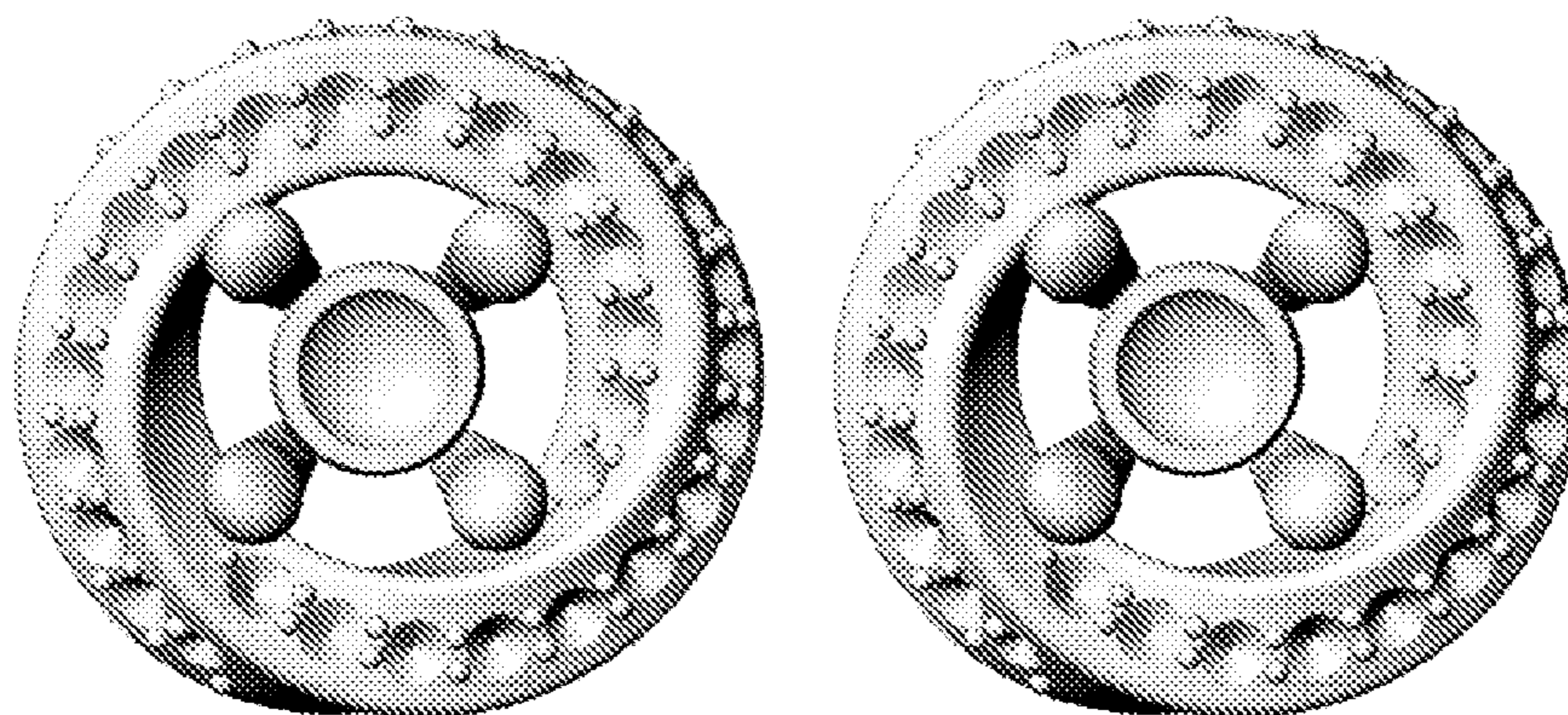


FIG. 6

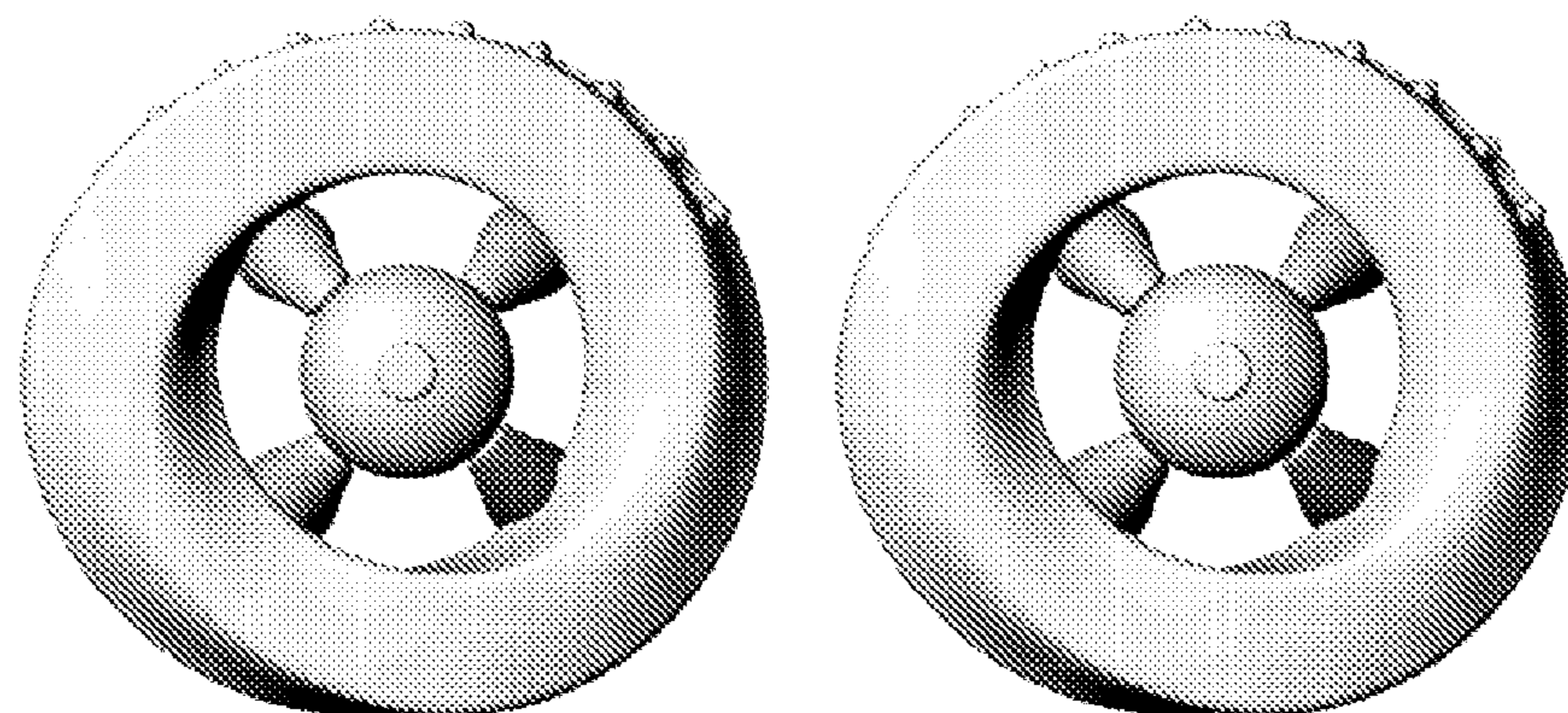


FIG. 7

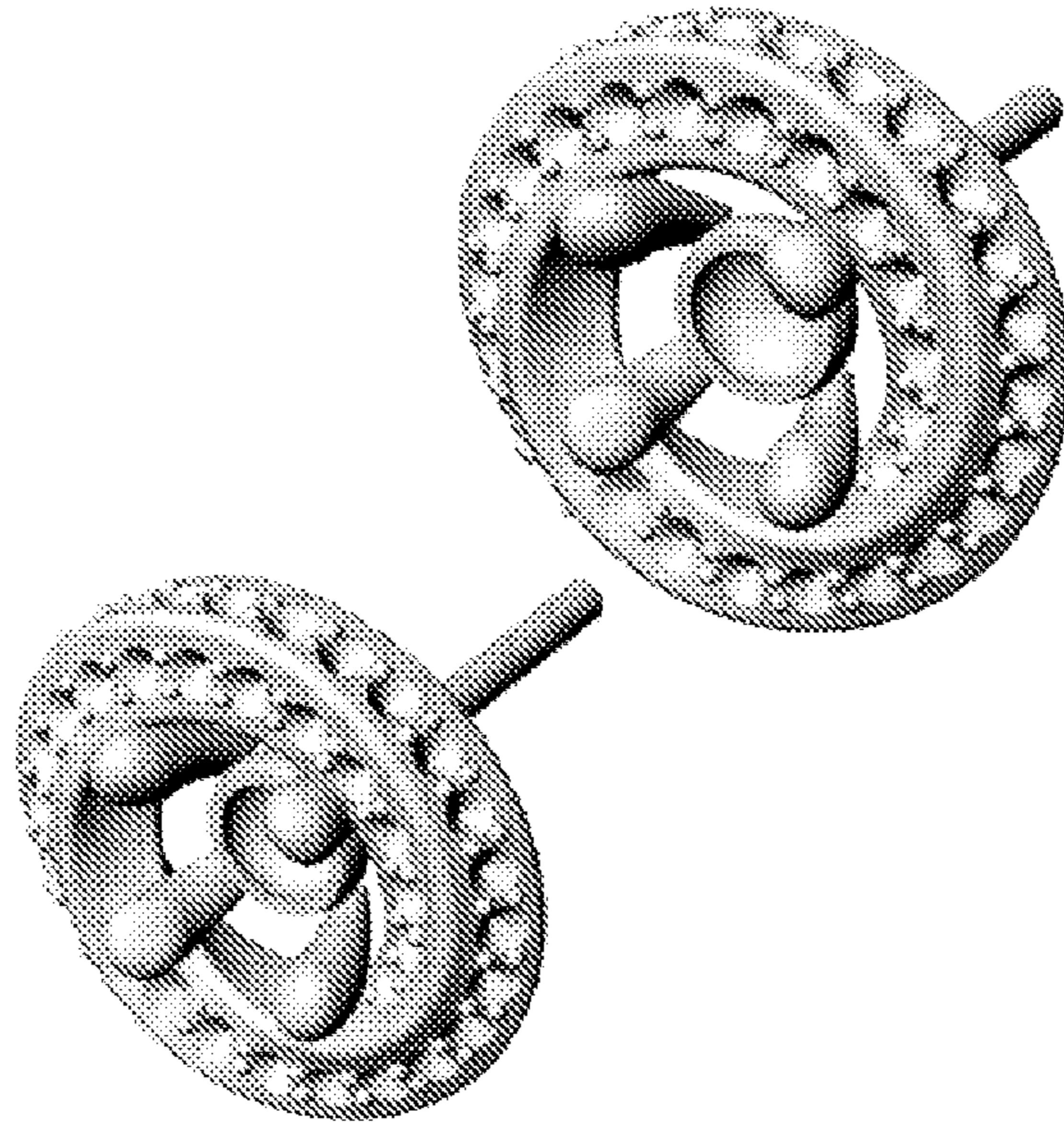


FIG. 8

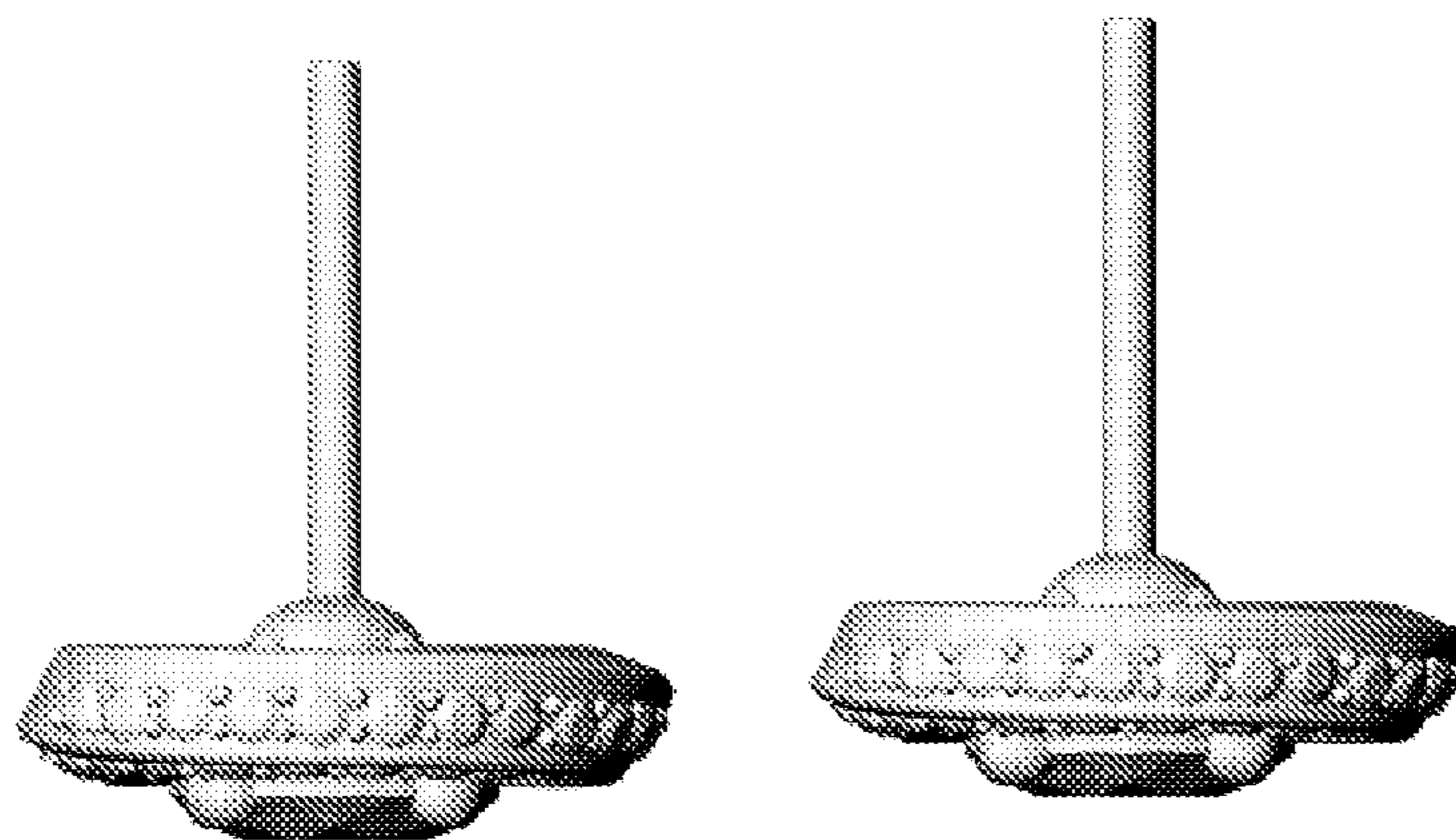


FIG. 9

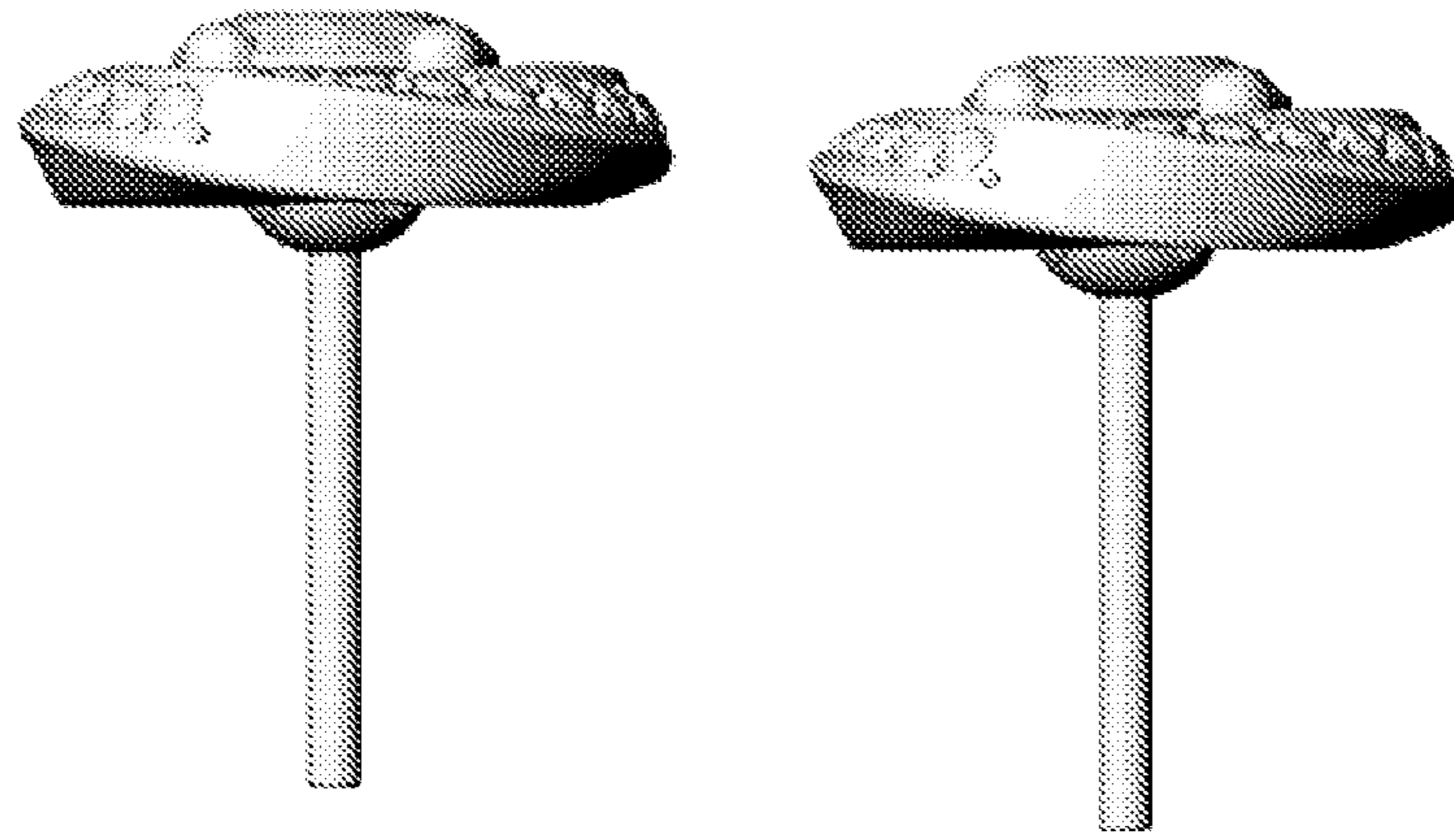


FIG. 10

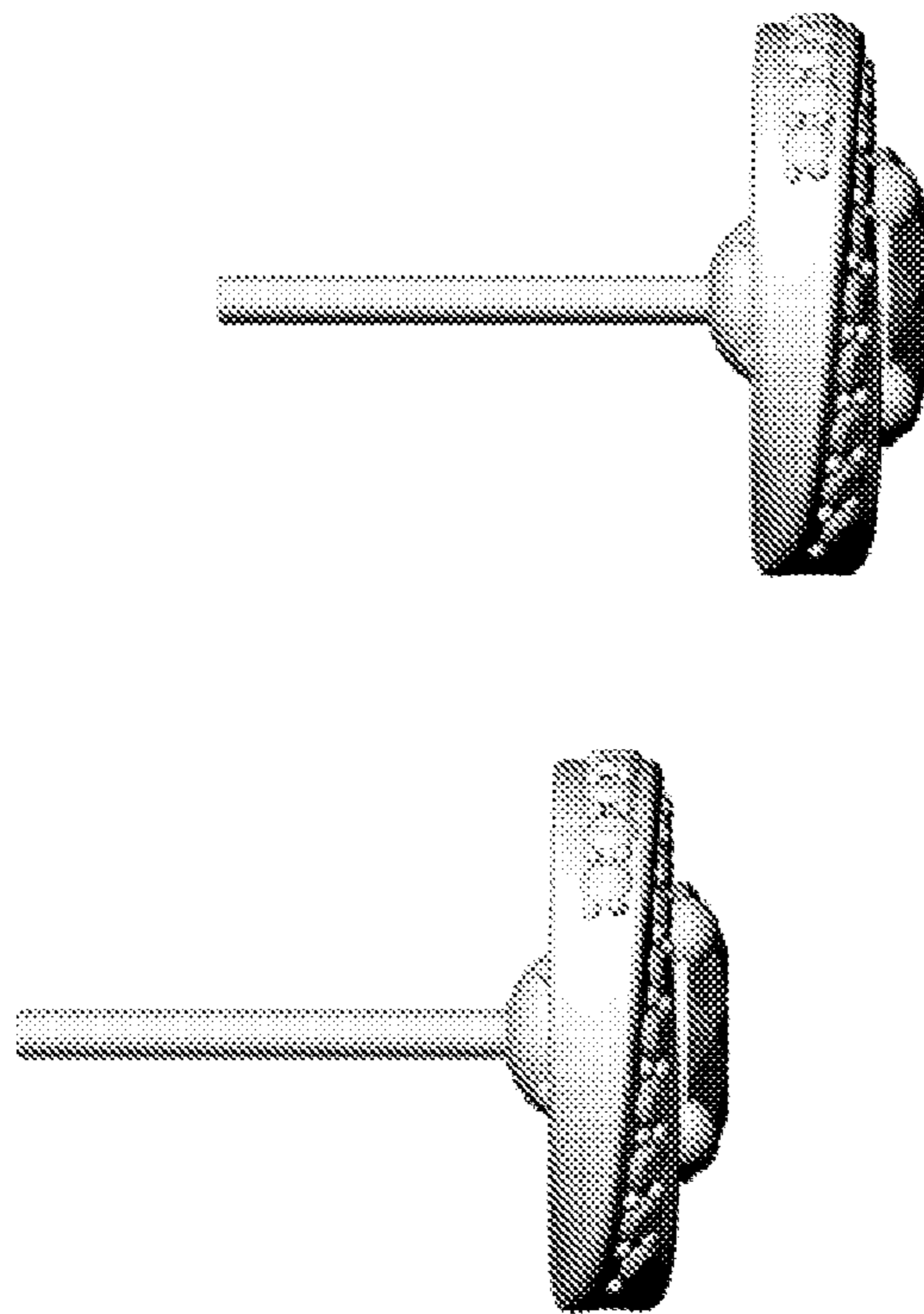


FIG. 11

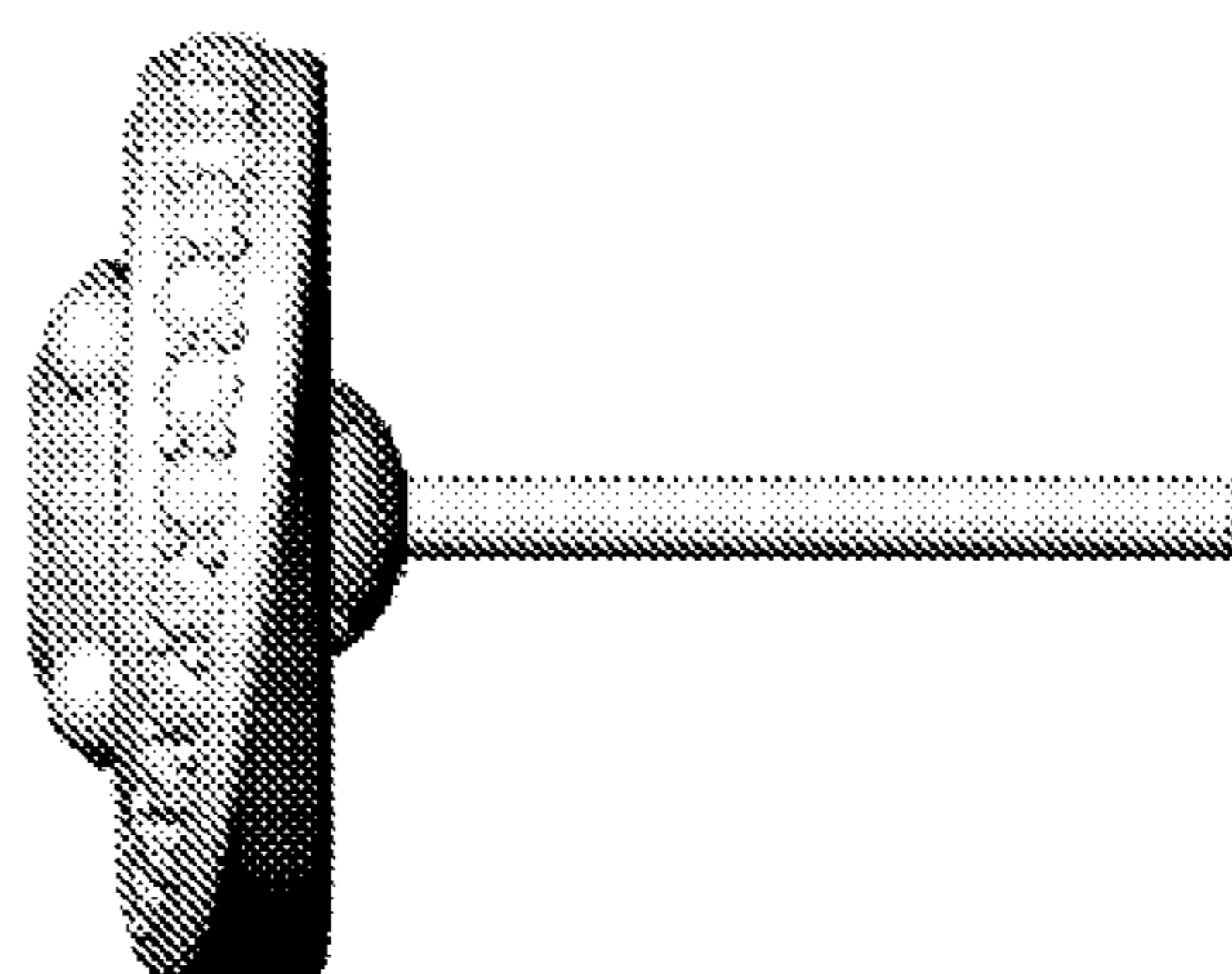
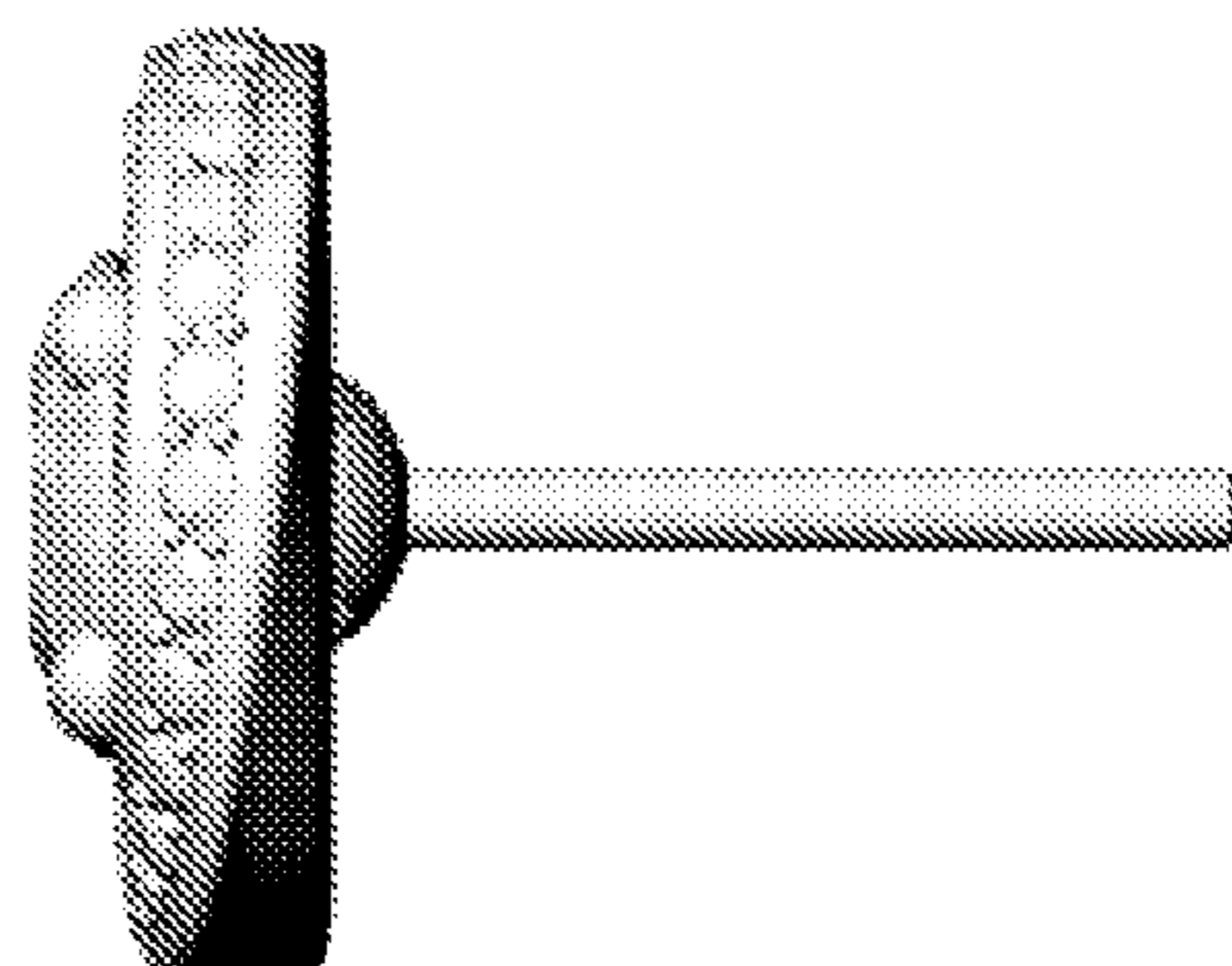


FIG. 12

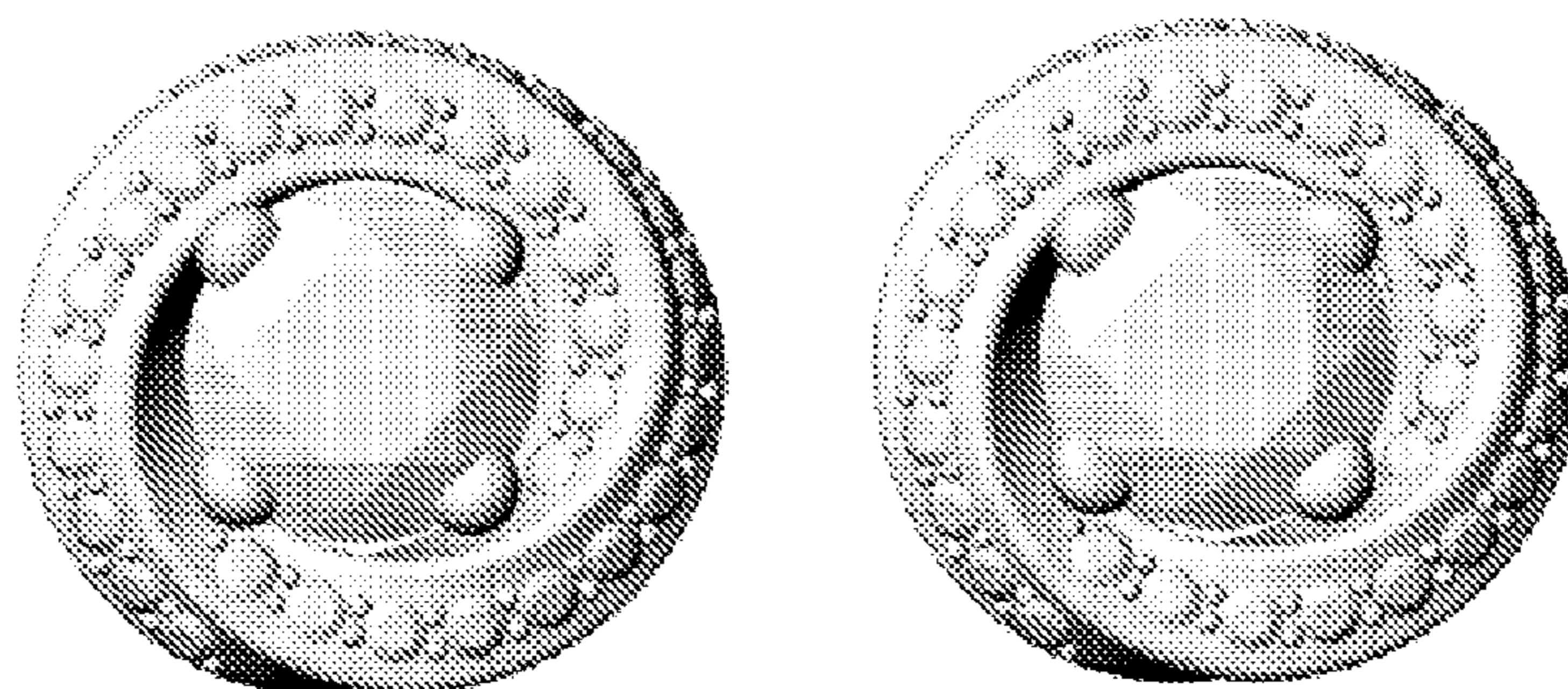


FIG. 13

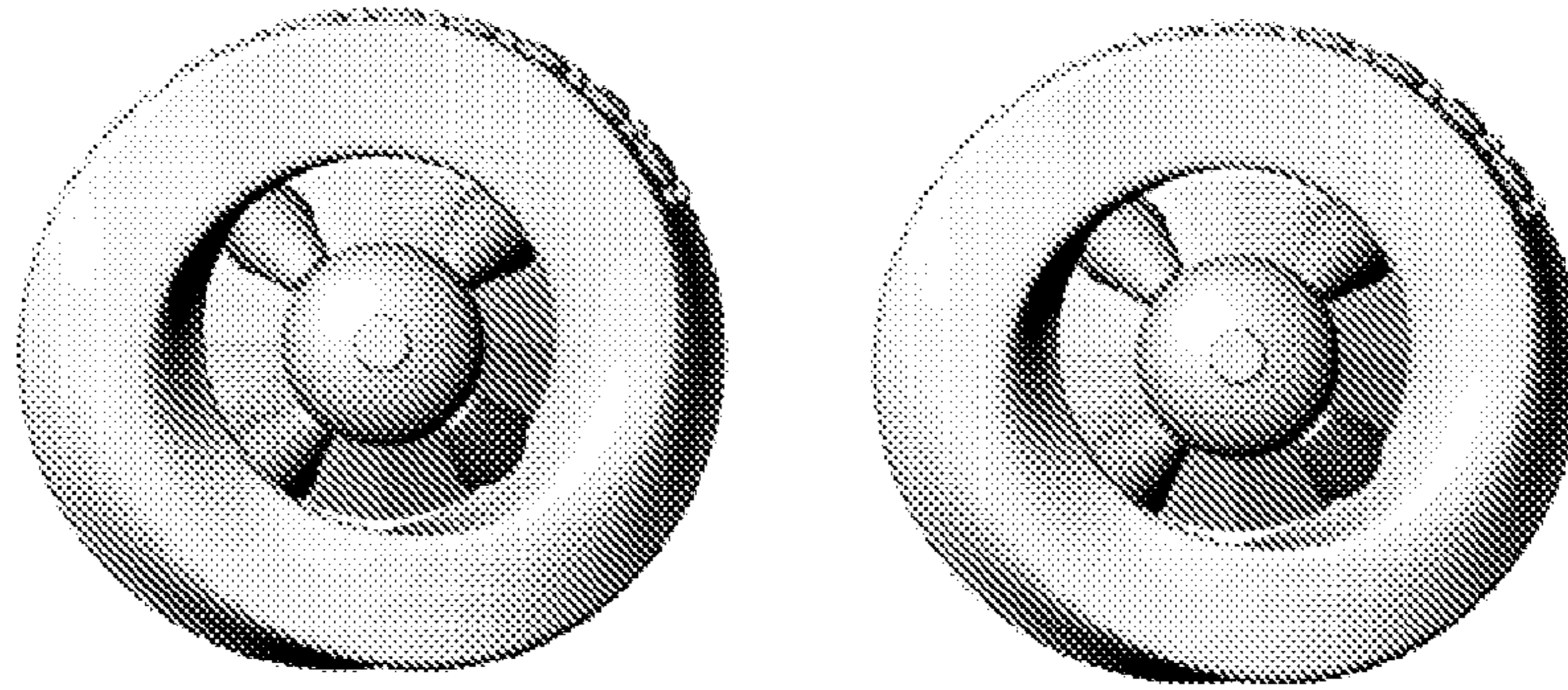


FIG. 14

