



US00D683646S

(12) **United States Design Patent**  
**Friedland**

(10) **Patent No.:** **US D683,646 S**

(45) **Date of Patent:** **\*\* Jun. 4, 2013**

(54) **SEARCHLIGHT**

(76) **Inventor:** **Leonard Henry Friedland, Sandton**  
**(ZA)**

(\*\*) **Term:** **14 Years**

(21) **Appl. No.:** **29/424,522**

(22) **Filed:** **Jun. 13, 2012**

(30) **Foreign Application Priority Data**

Dec. 15, 2011 (ZA) ..... F2011/2088

(51) **LOC (9) Cl.** ..... **10-05**

(52) **U.S. Cl.**  
**USPC** ..... **D10/114.1**

(58) **Field of Classification Search**  
**USPC** ..... **D10/114.1, 114.2, 114.9; D26/37,**  
**D26/40; 340/815.45; 362/267**  
See application file for complete search history.

(56) **References Cited**

**U.S. PATENT DOCUMENTS**

D143,648	S	*	1/1946	Eklind et al. ....	D10/114.1
D223,967	S	*	6/1972	Petrucelli .....	D10/114.2
D267,157	S	*	12/1982	Kong .....	D10/114.2
D572,852	S	*	7/2008	Niven .....	D26/37
2010/0085432	A1	*	4/2010	Kennedy et al. ....	348/164
2012/0014105	A1	*	1/2012	Jigamian et al. ....	362/267

\* cited by examiner

*Primary Examiner* — George D Kirschbaum

(74) *Attorney, Agent, or Firm* — Fulbright & Jaworski L.L.P.

(57) **CLAIM**

The ornamental design for searchlight, as shown and described.

**DESCRIPTION**

FIG. 1 is a front side perspective view of a searchlight, showing our new design;  
FIG. 2 is a front side perspective view showing the design in an alternate position;  
FIG. 3 is a side view thereof;  
FIG. 4 is a rear view thereof; and,  
FIG. 5 is a front view thereof.

**1 Claim, 2 Drawing Sheets**

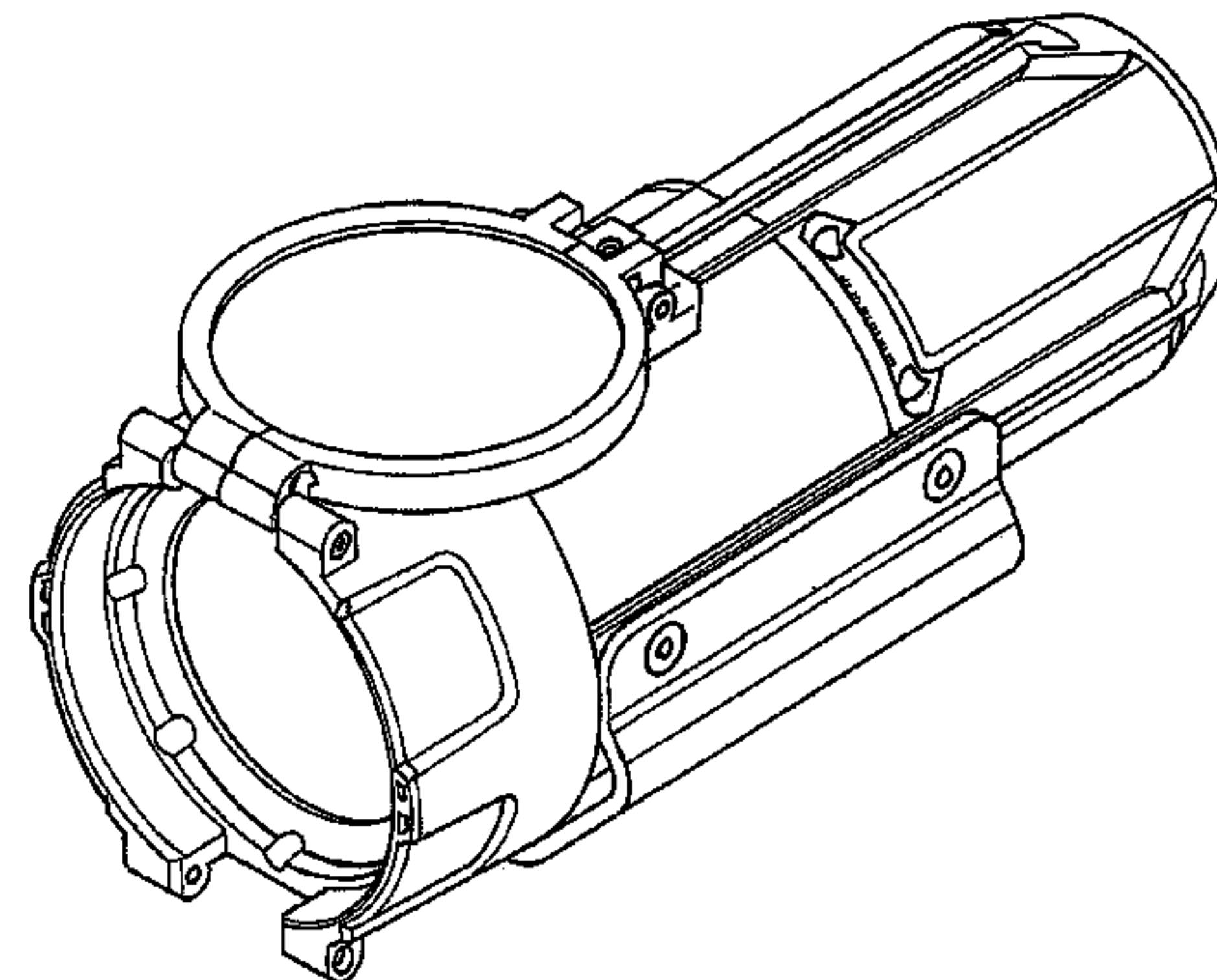
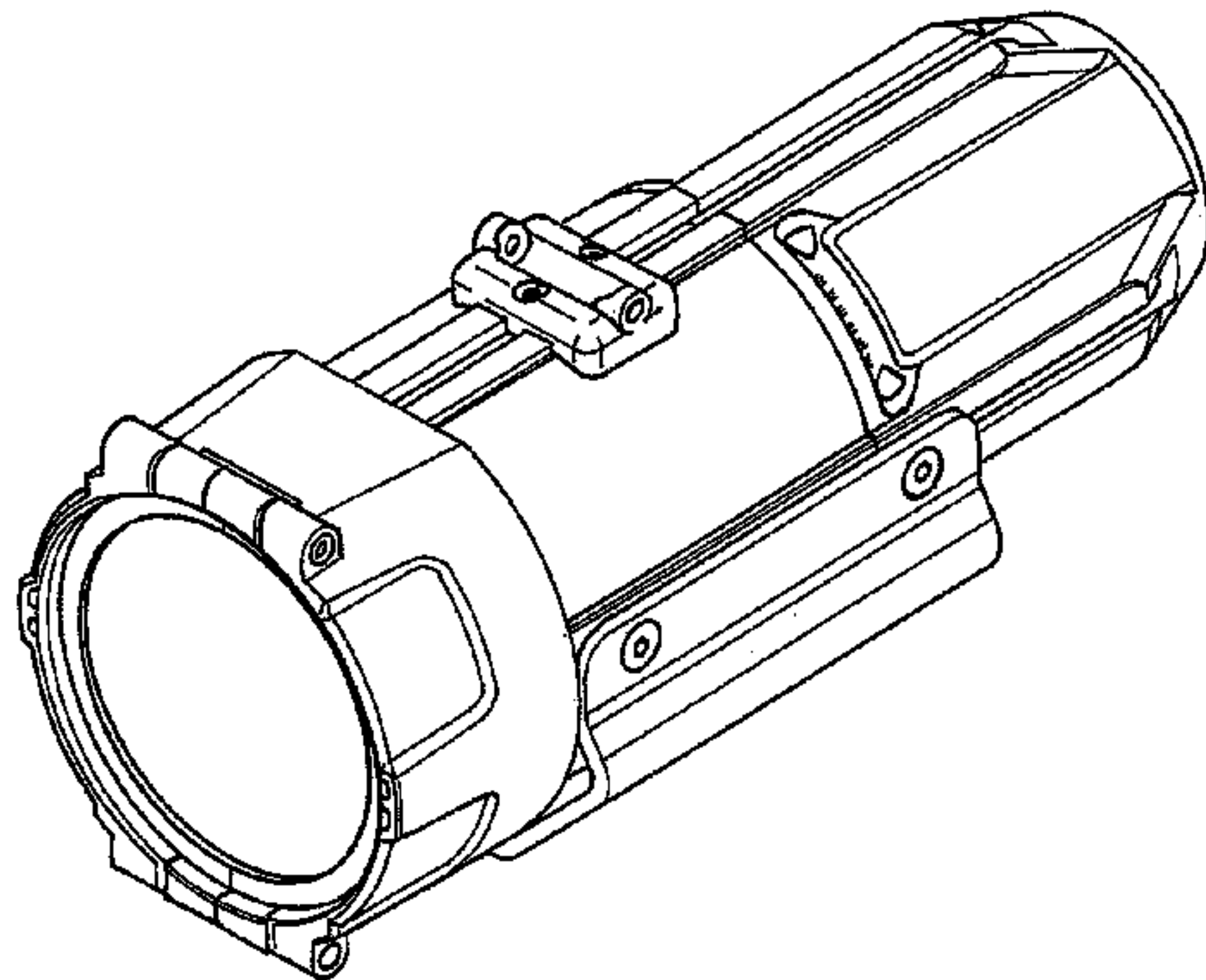


FIG. 1

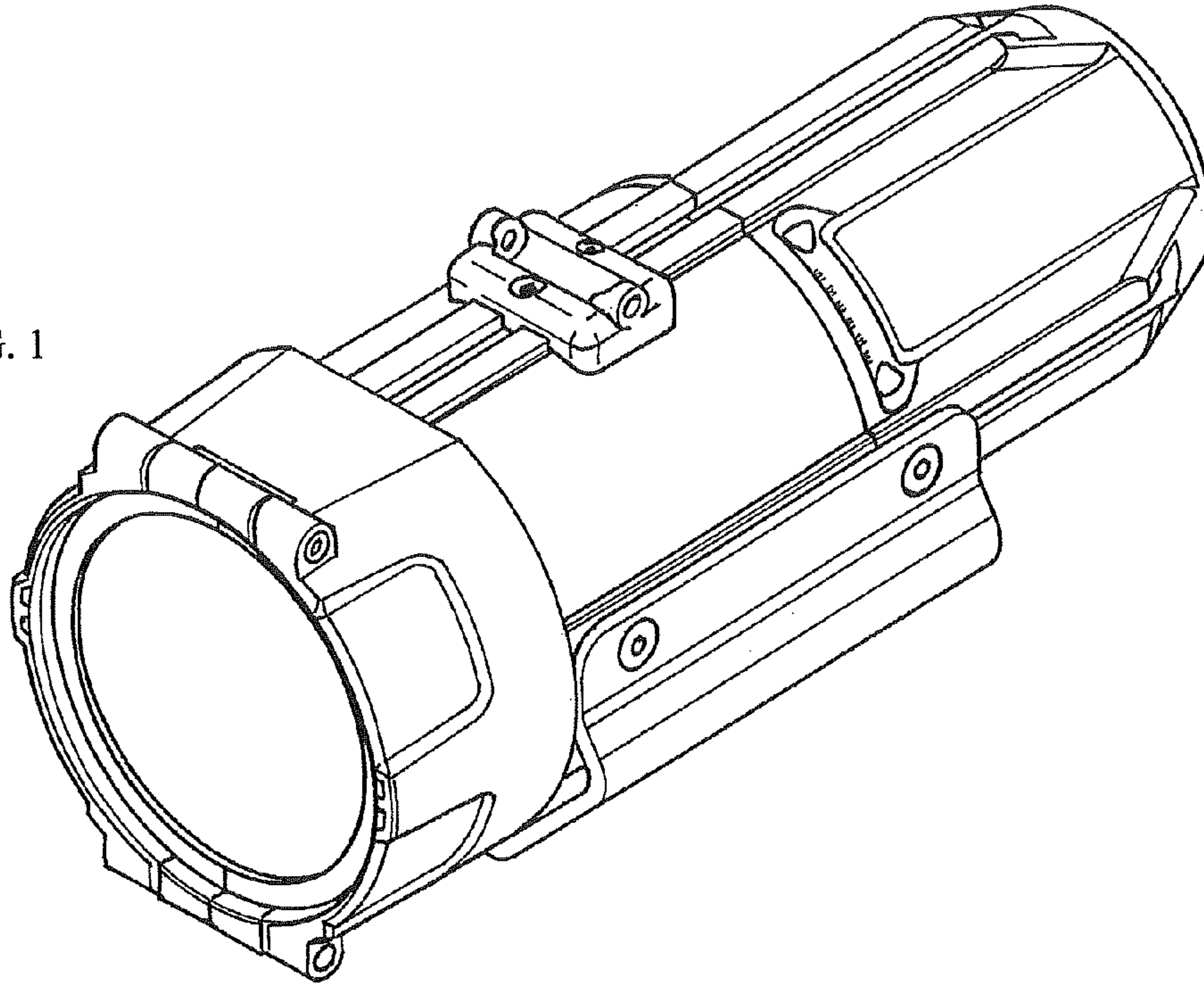


FIG. 2

