



US00D683645S

(12) **United States Design Patent**  
**Bode et al.**

(10) **Patent No.:** **US D683,645 S**  
(45) **Date of Patent:** **\*\* Jun. 4, 2013**

(54) **SPEEDOMETER DISPLAY**

(75) Inventors: **Christian Bode**, Braunschweig (DE);  
**Peter Eördegh**, Budapest (HU);  
**Michael Hoppe**, Laatzen (DE);  
**Kim-Markus Rosenthal**, Braunschweig (DE);  
**Frauke Schossig**, Braunschweig (DE)

(73) Assignee: **Siemens Aktiengesellschaft**, Munich (DE)

(\*\*) Term: **14 Years**

(21) Appl. No.: **29/407,921**

(22) Filed: **Dec. 5, 2011**

(30) **Foreign Application Priority Data**

Mar. 6, 2011 (EM) ..... 001278998

(51) **LOC (9) Cl.** ..... **10-04**

(52) **U.S. Cl.**  
USPC ..... **D10/102**

(58) **Field of Classification Search**  
USPC ... D10/102, 103; 116/286, 288, 62.1; 180/90;  
280/750-752; 296/70; 313/582-584;  
342/104-117; 343/702; 345/60, 156, 158,  
345/824; 361/697; 362/29, 489, 23; 455/12.1,  
455/86, 406; 700/17; 701/93-98, 110, 119,  
701/497

See application file for complete search history.

(56) **References Cited**

**U.S. PATENT DOCUMENTS**

D196,511 S \* 10/1963 Kostanecki ..... D10/103  
D568,776 S \* 5/2008 Hall et al. .... D10/103  
D603,283 S \* 11/2009 Colussi et al. .... D10/102

\* cited by examiner

*Primary Examiner* — Antoine D Davis

(74) *Attorney, Agent, or Firm* — Laurence A. Greenberg;  
Werner H. Stemer; Ralph E. Locher

(57) **CLAIM**

The ornamental design for a speedometer display, as shown and described.

**DESCRIPTION**

FIG. 1 is a front elevation view of a speedometer display showing my new design;  
FIG. 2 is a view thereof showing several dynamic elements of the display;  
FIG. 3 is a view thereof showing various dynamic elements in dashed lines;  
FIG. 4 is a view thereof showing the dynamic elements of FIG. 3 in solid lines;  
FIG. 5 is a view thereof showing various dynamic elements in a changed display;  
FIG. 6 is a view thereof showing various dynamic elements in a further changed display;  
FIG. 7 is a view thereof showing various dynamic elements in yet a further changed display;  
FIG. 8 is a view thereof showing various dynamic elements in again a further changed display;  
FIG. 9 is a view thereof with various dynamic elements assuming further display changes;  
FIG. 10 is a view thereof with various dynamic elements assuming yet further display changes;  
FIG. 11 is a view thereof with various dynamic elements assuming again further display changes;  
FIG. 12 is a view thereof with various dynamic elements assuming additional display changes; and,  
FIG. 13 is a view thereof with various dynamic elements, showing several further display changes.  
The broken line showing of structural features is included for the purpose of illustrating non-claimed subject matter and forms no part of the claimed design.

**1 Claim, 7 Drawing Sheets**

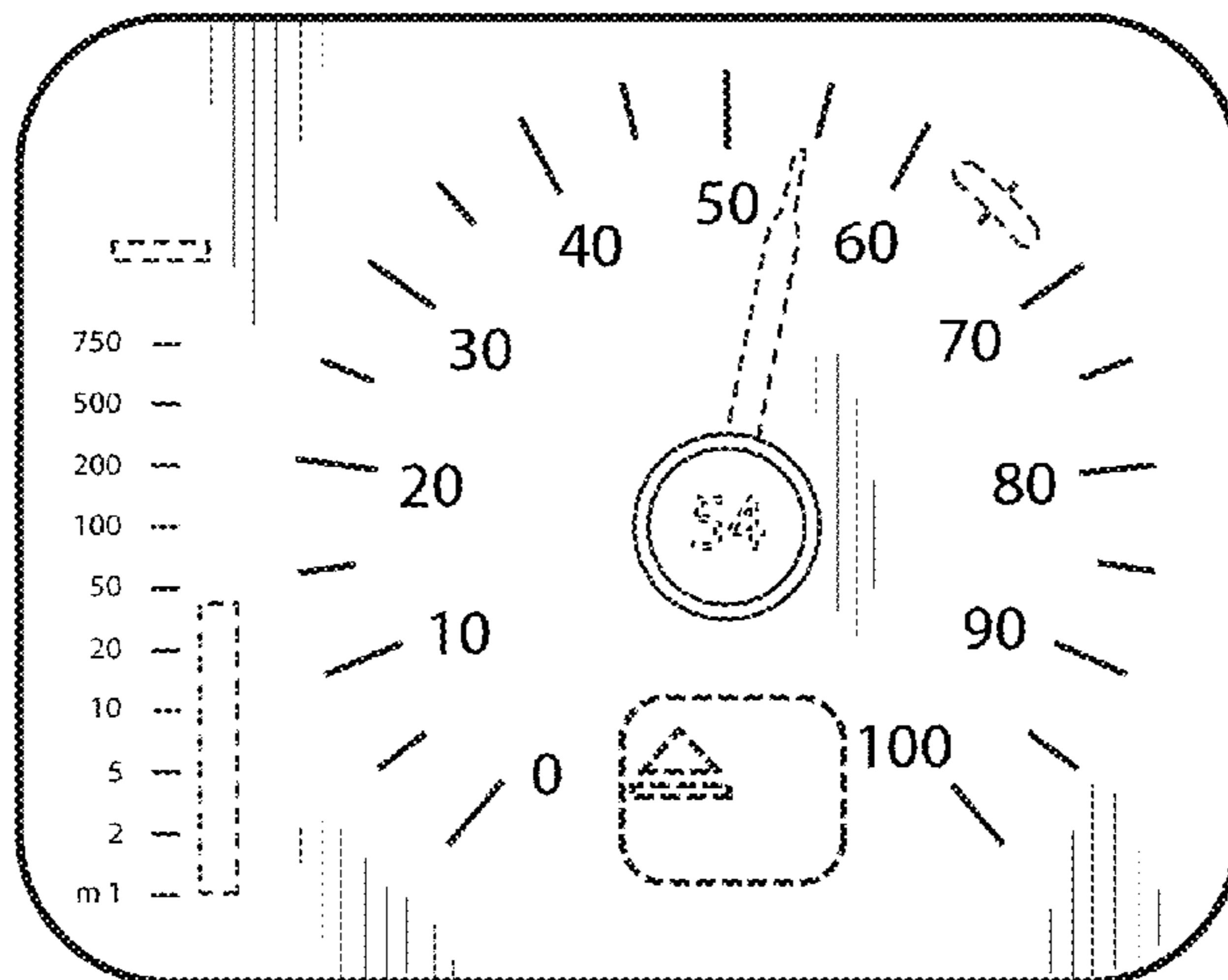


FIG. 1

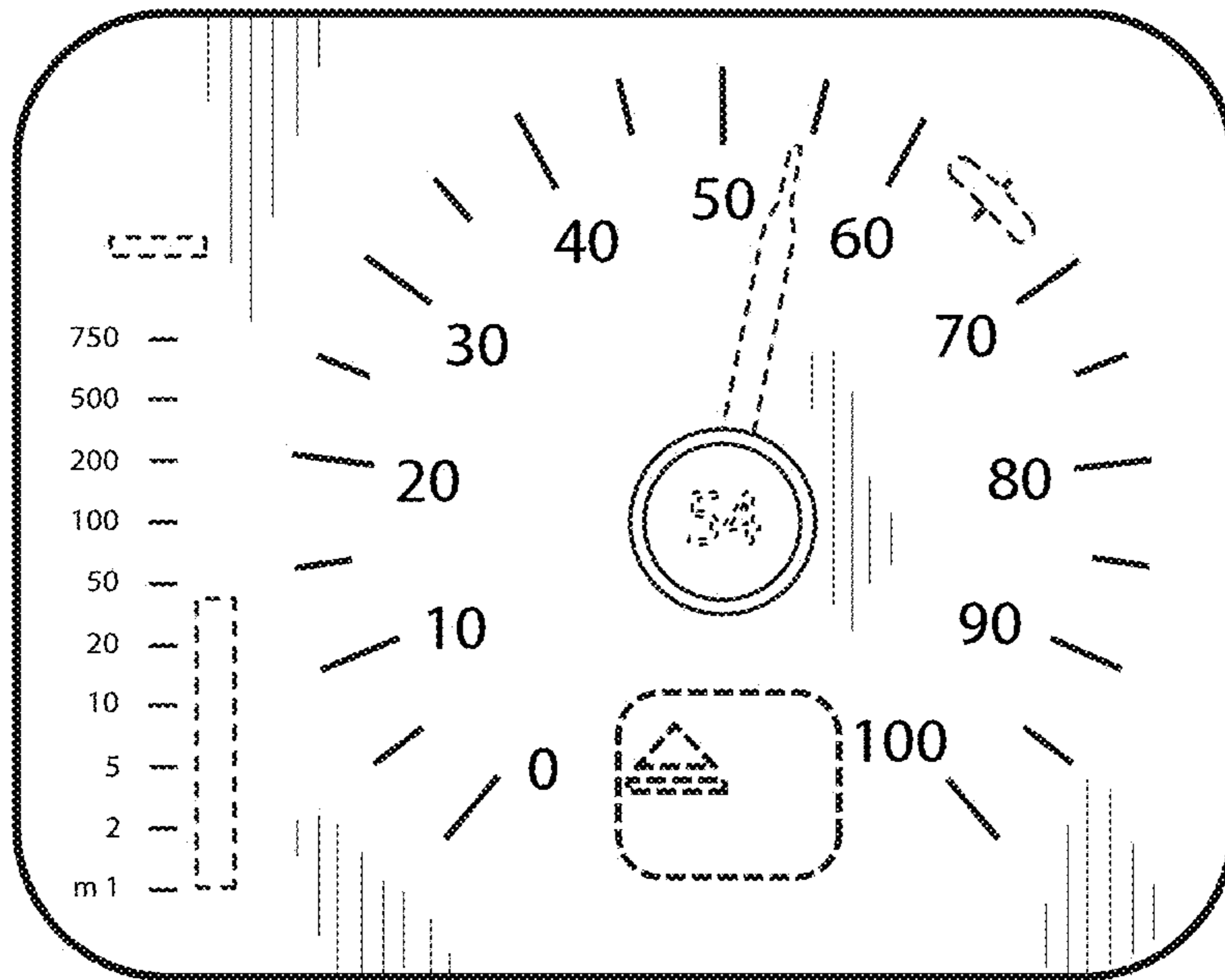
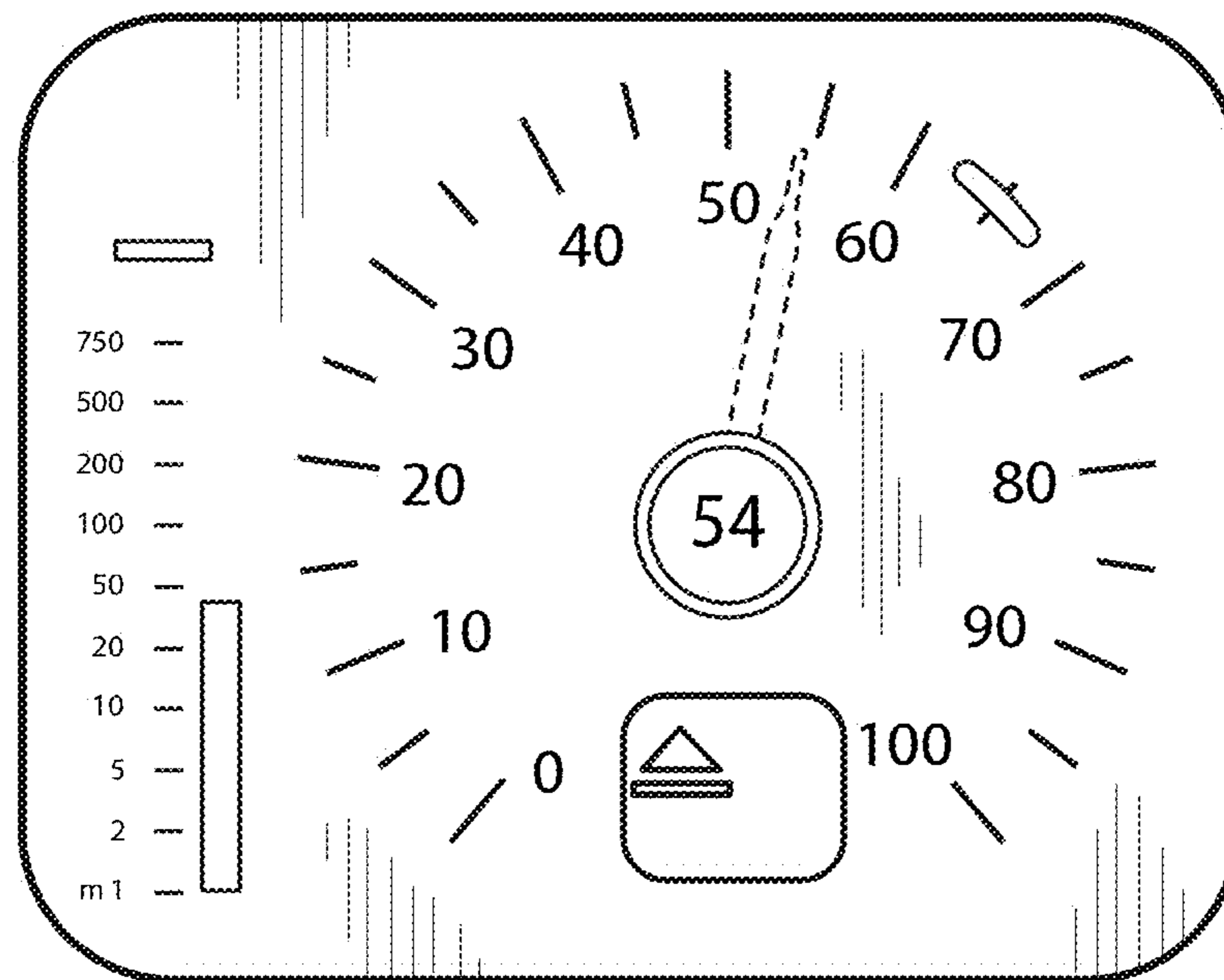


FIG. 2



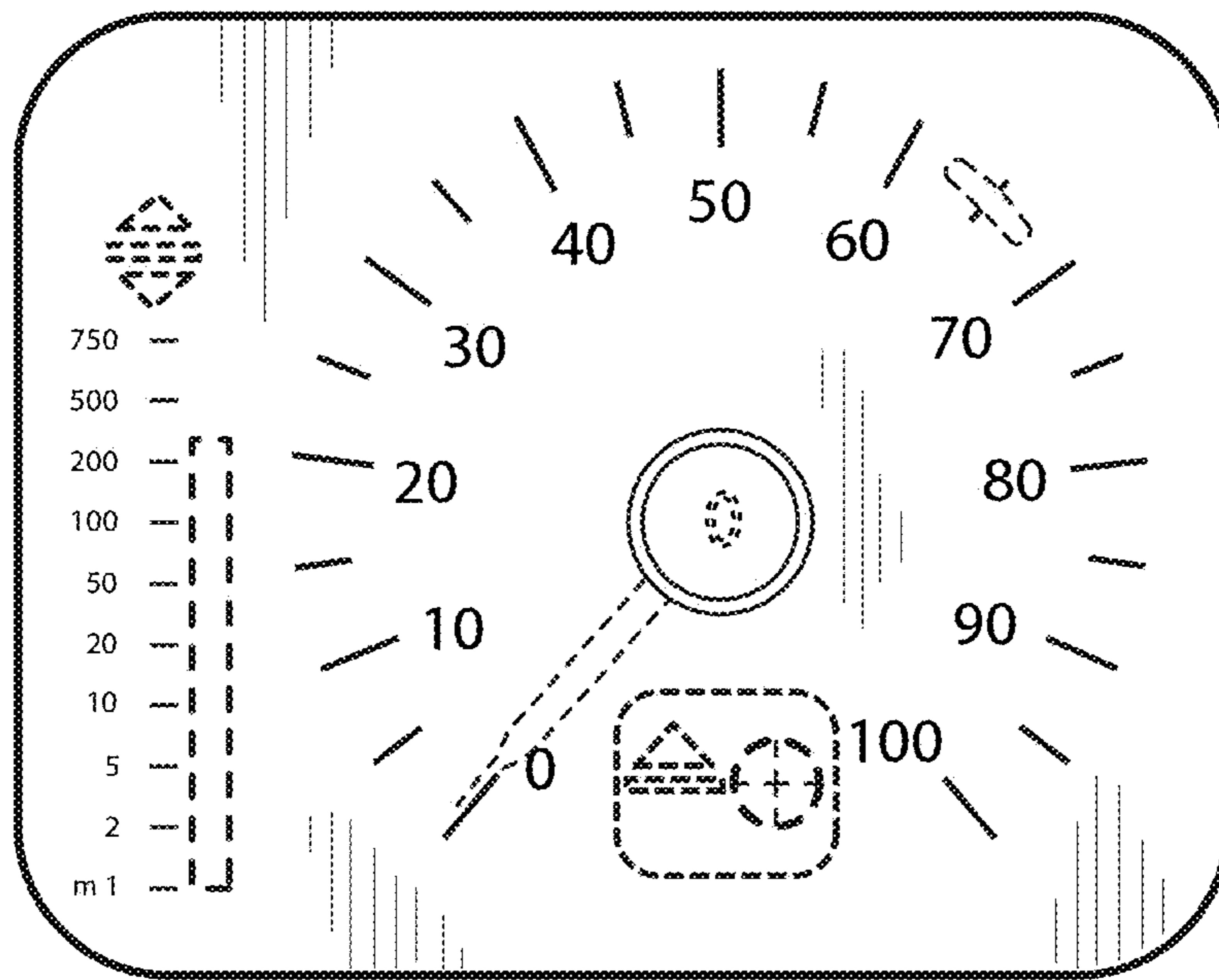


FIG. 3

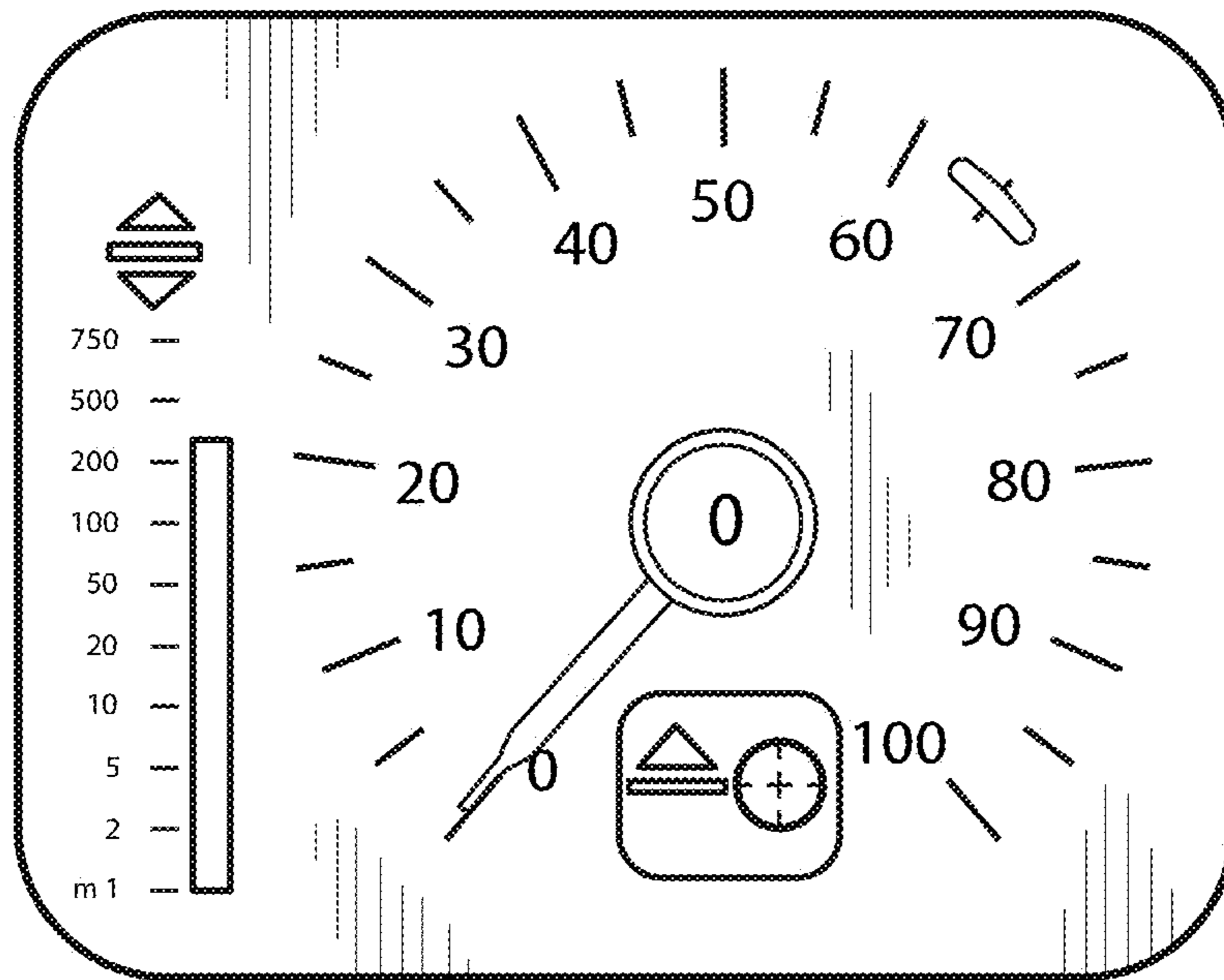


FIG. 4

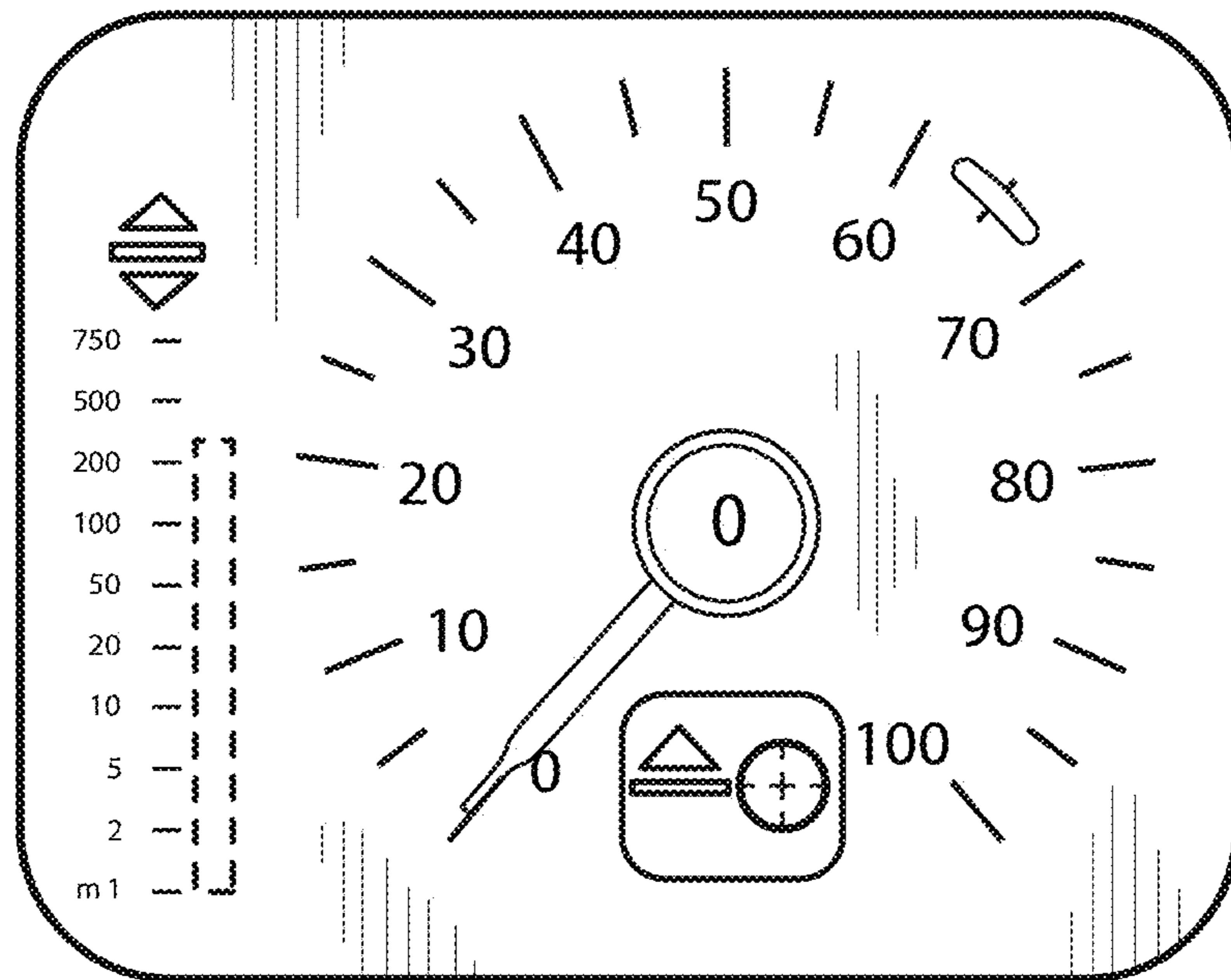


FIG. 5

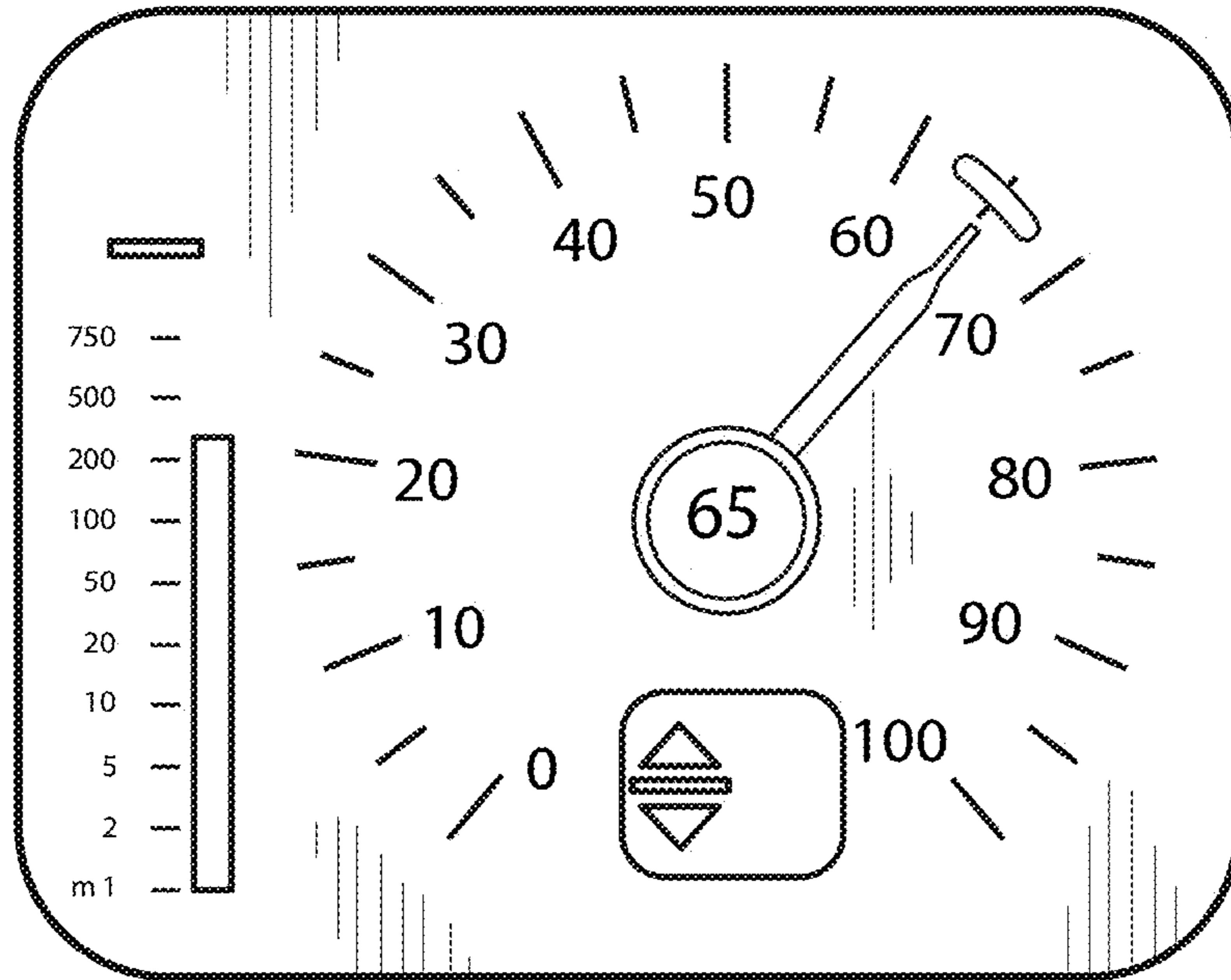


FIG. 6

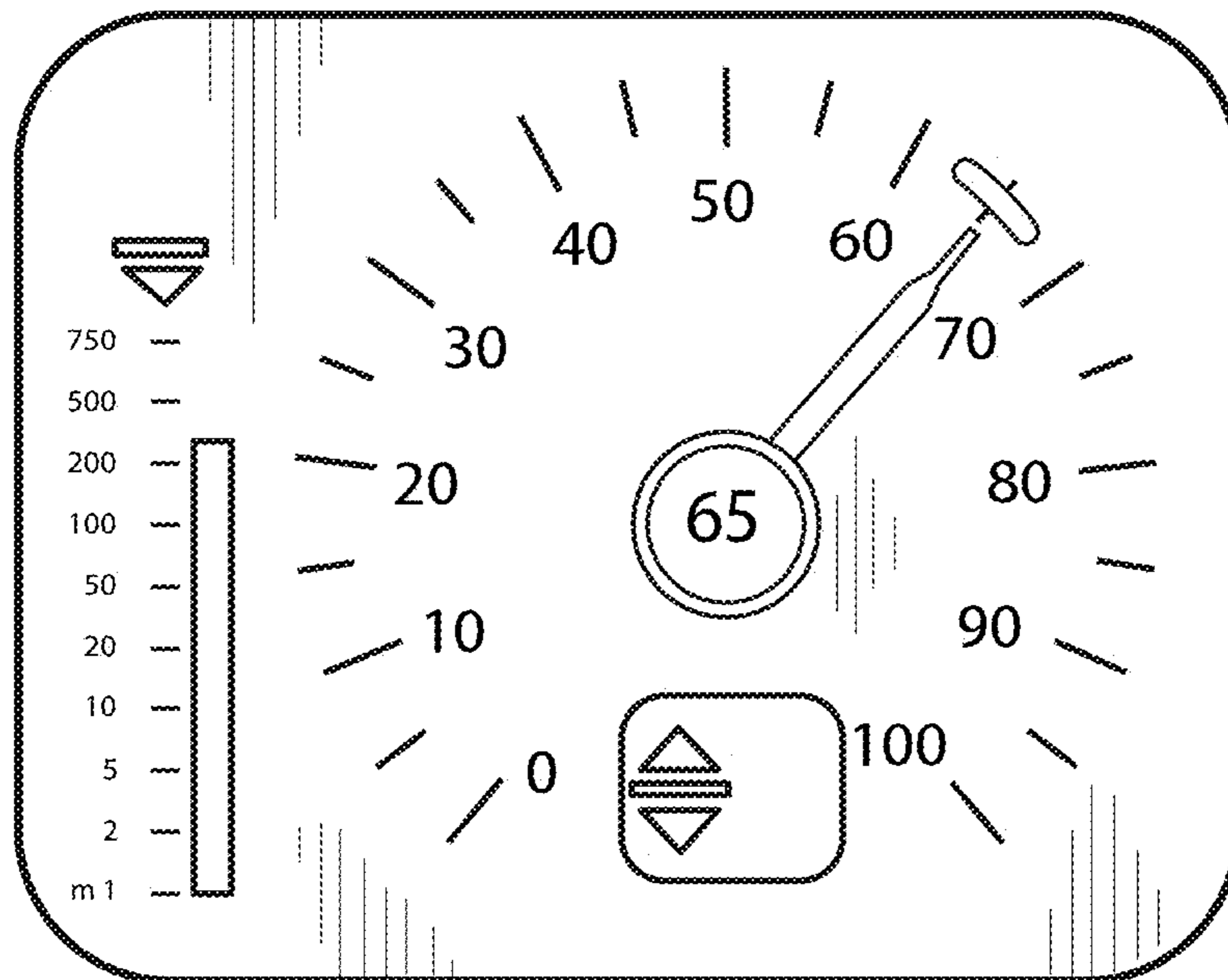


FIG. 7

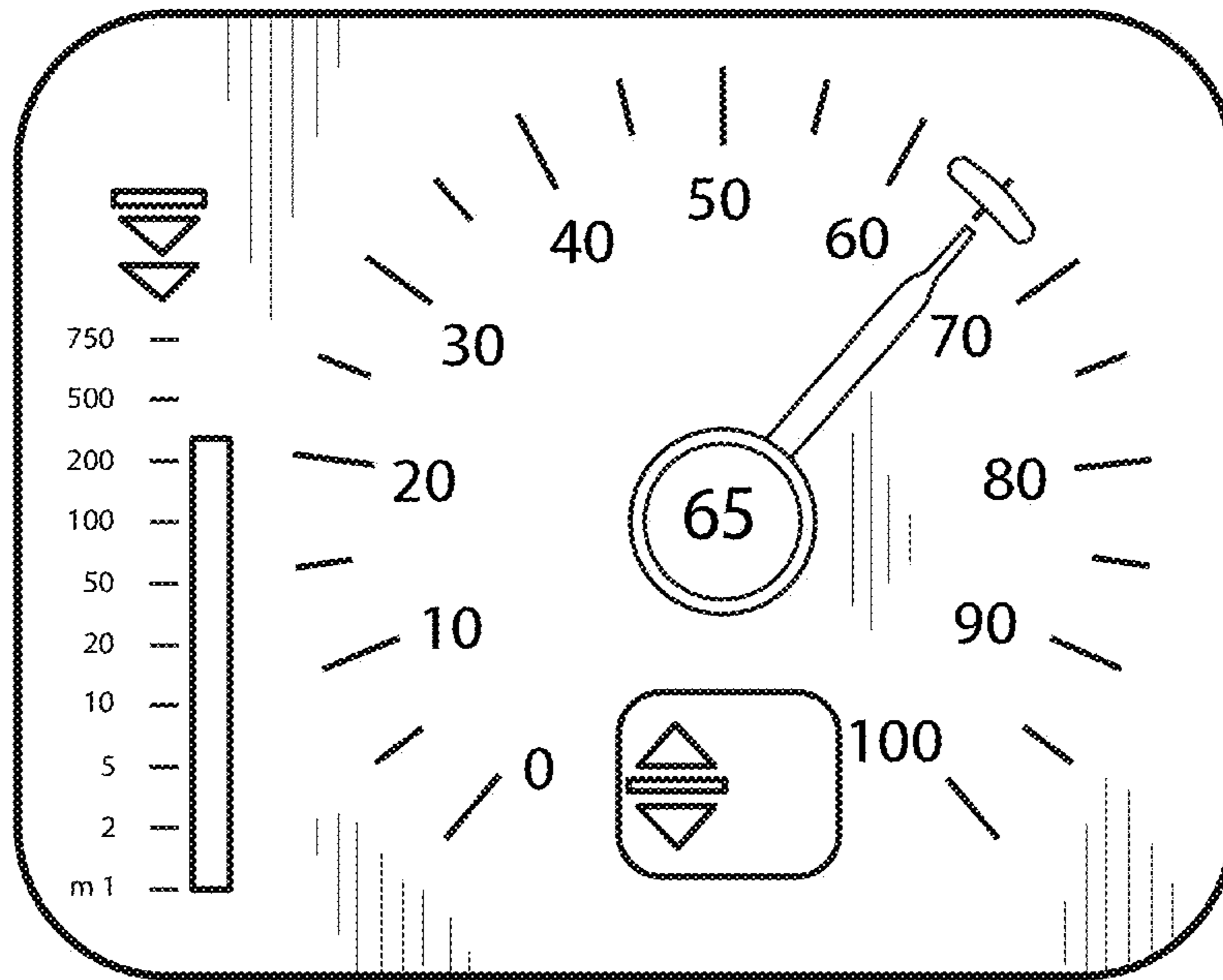


FIG. 8

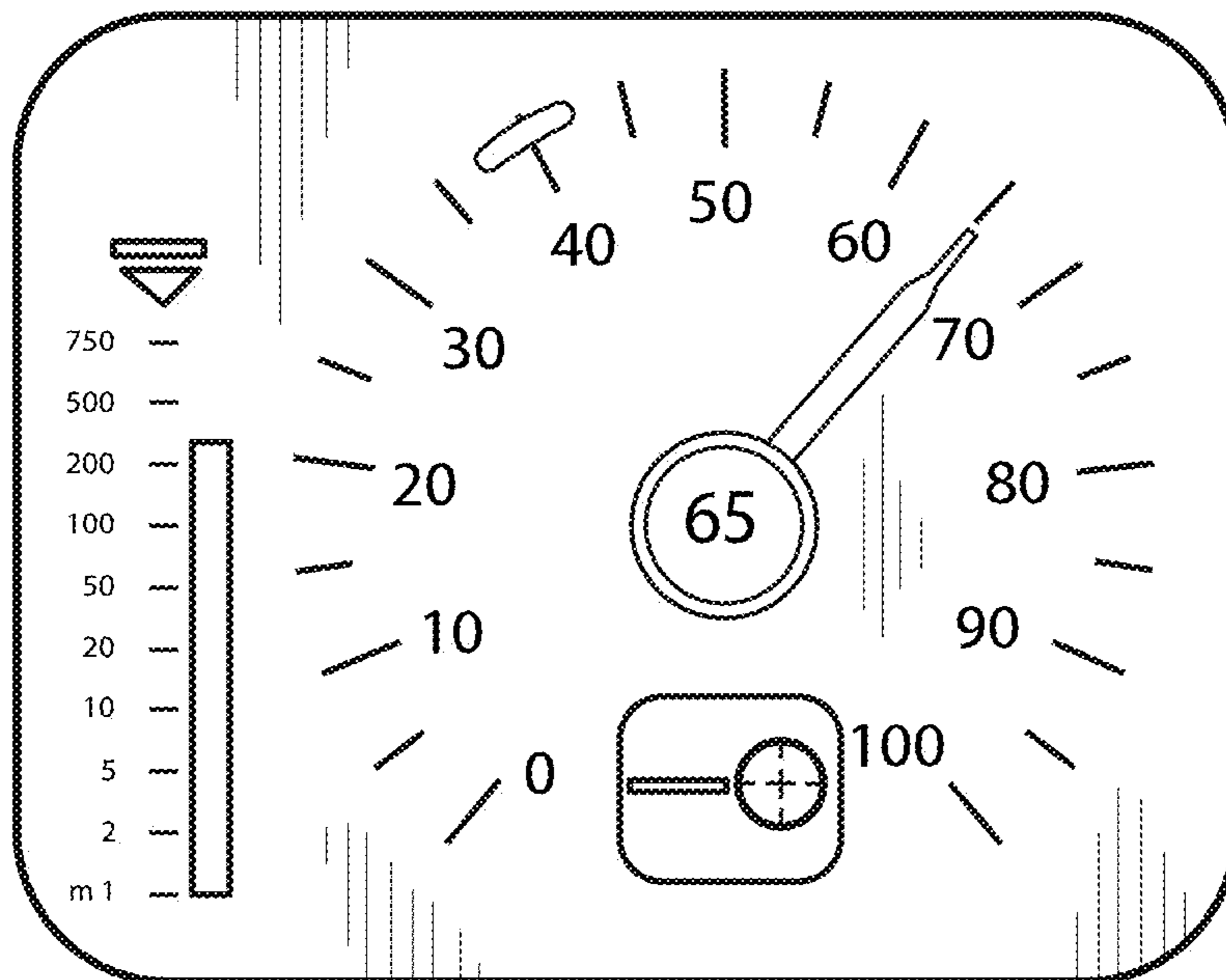


FIG. 9

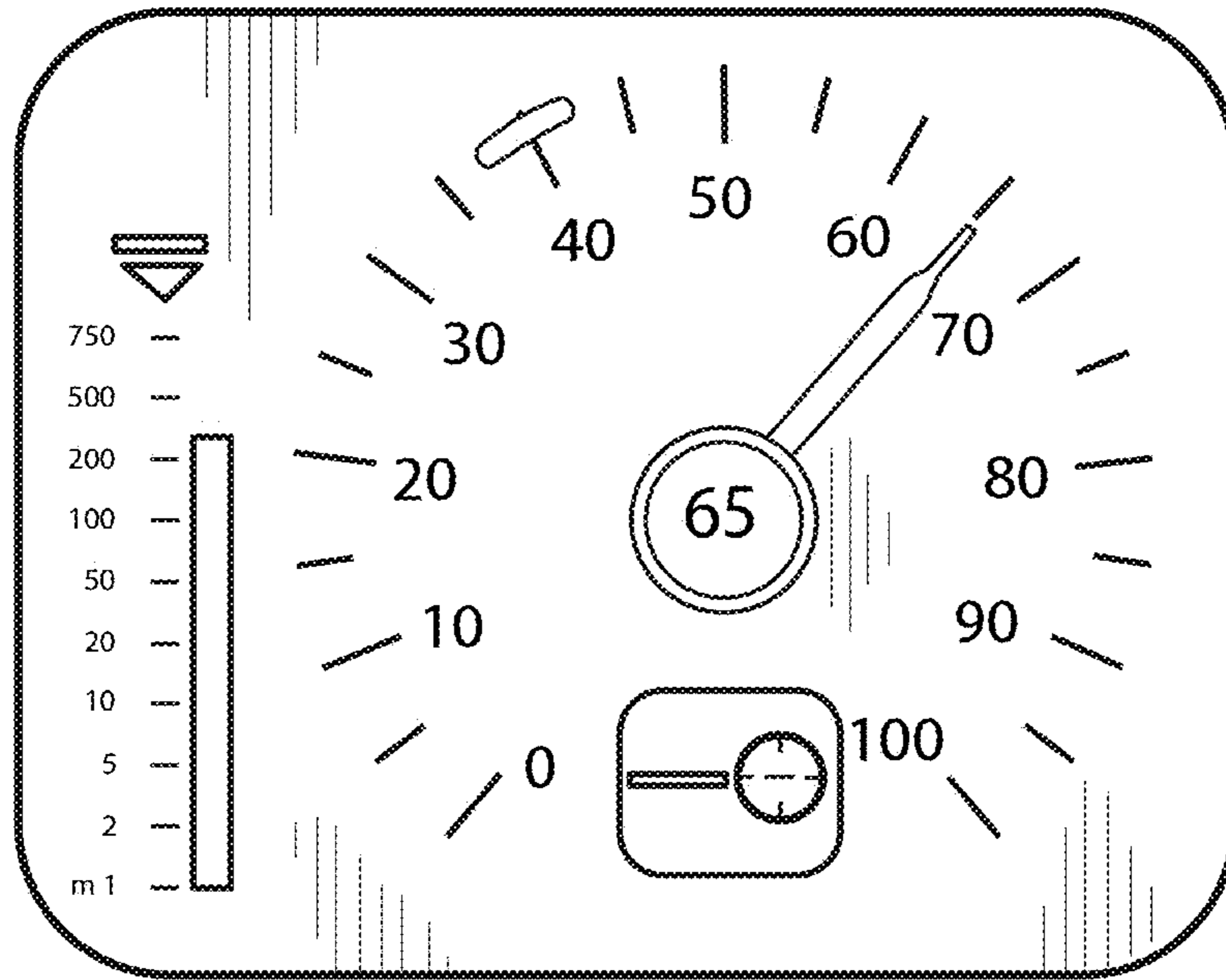


FIG. 10

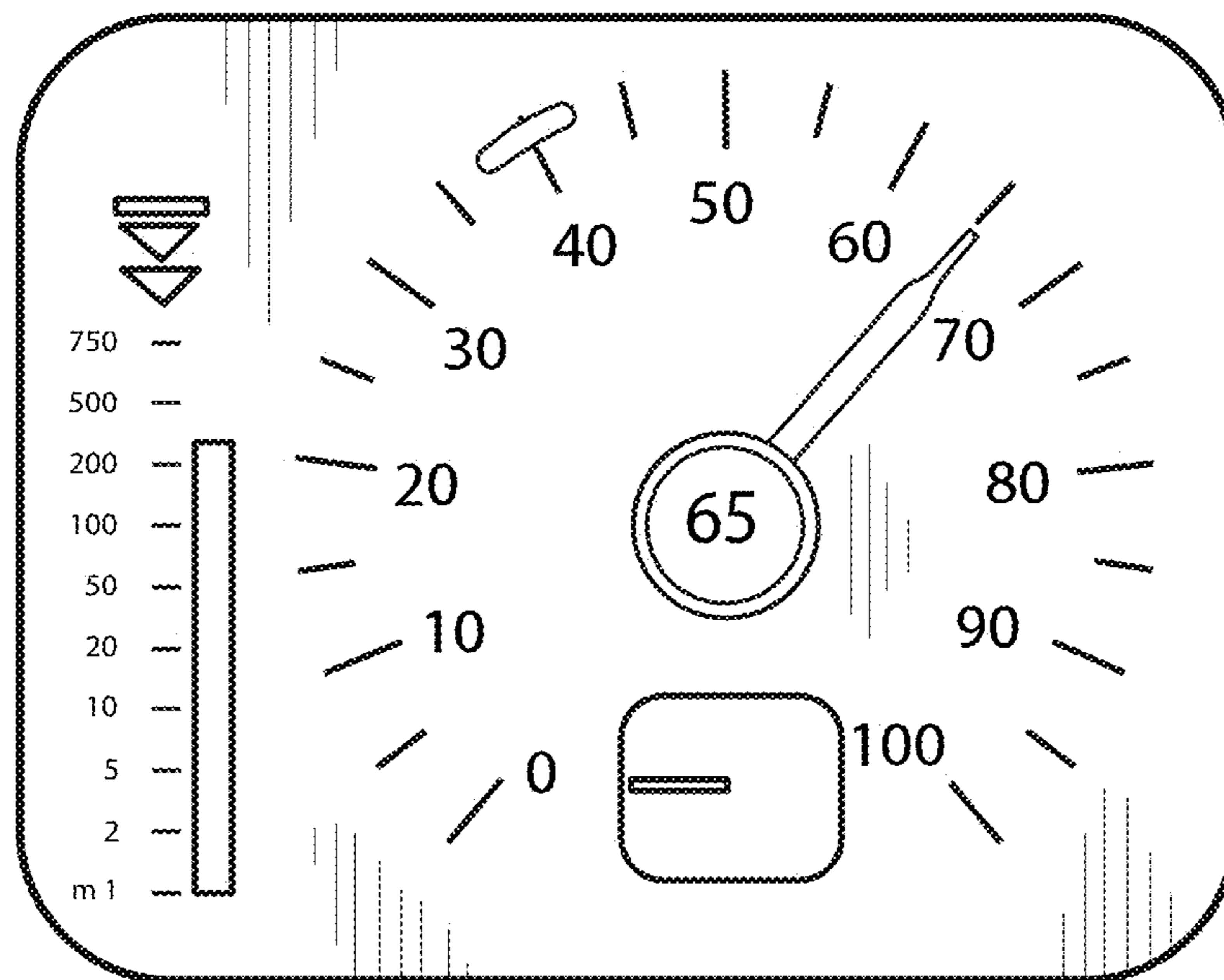


FIG. 11

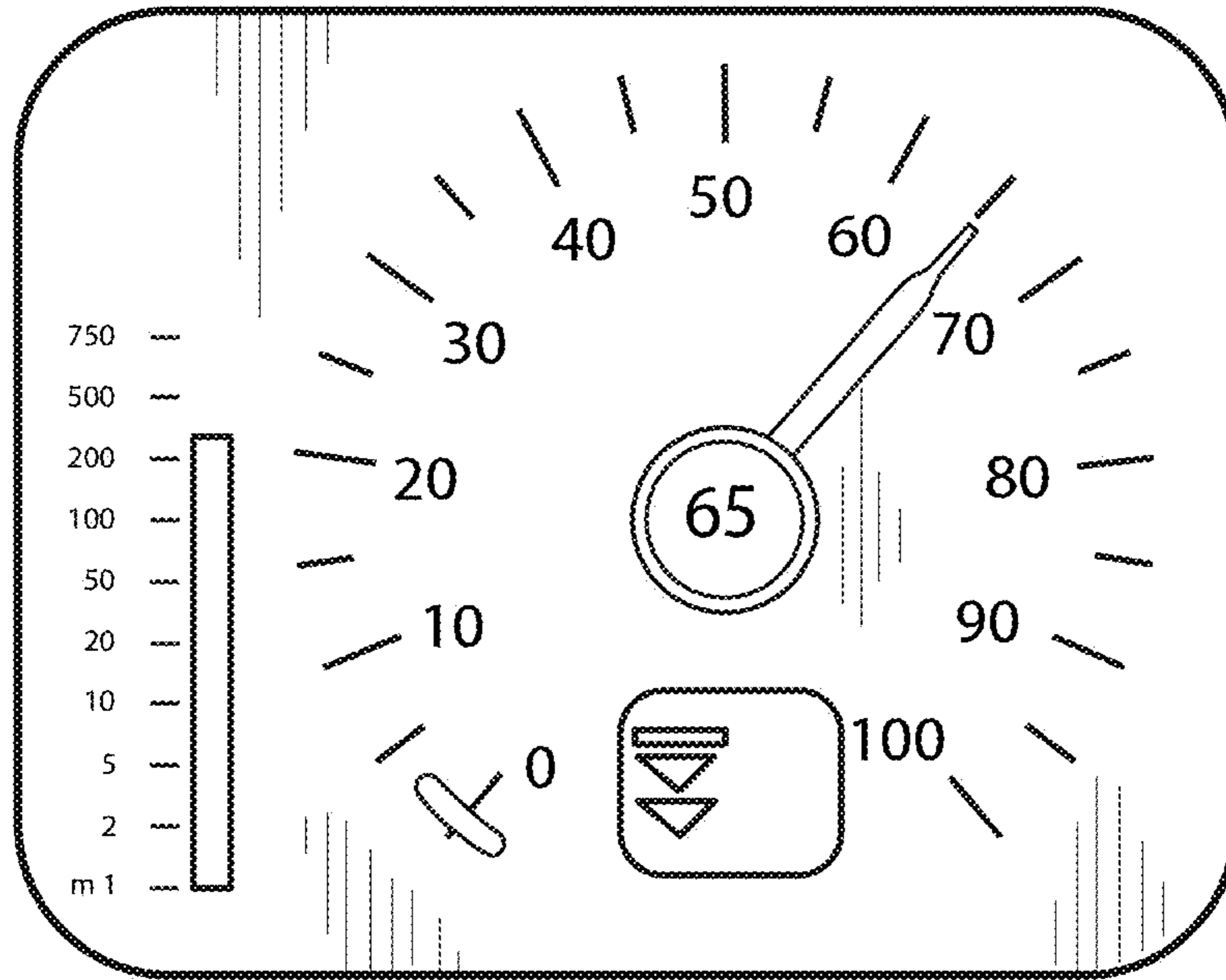


FIG. 12

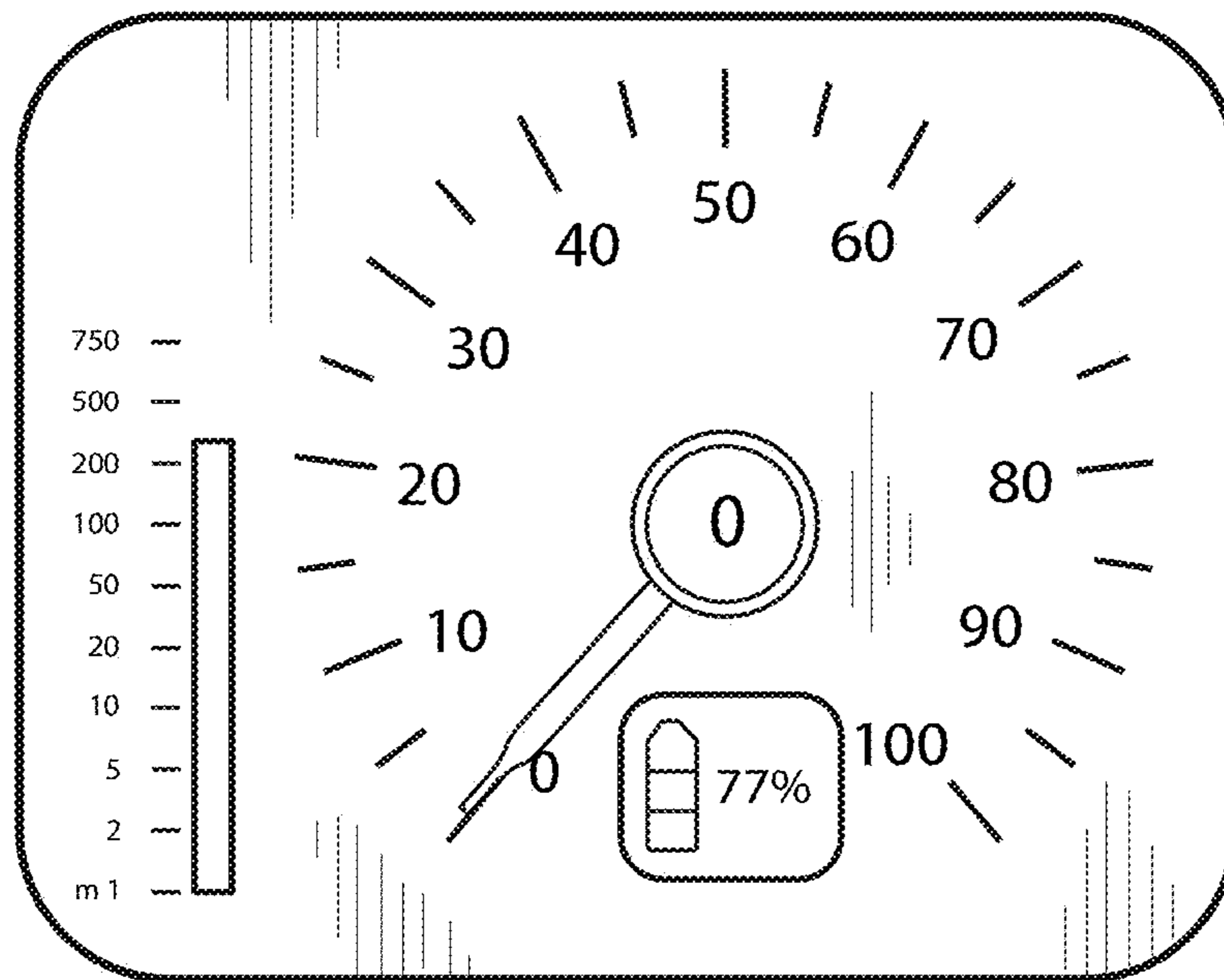


FIG. 13