



US00D683642S

(12) **United States Design Patent**
Buesser et al.

(10) **Patent No.:** **US D683,642 S**
(45) **Date of Patent:** **** Jun. 4, 2013**

(54) **ANALYTICAL INSTRUMENT**

(71) Applicants: **Collin Wardwell Buesser**, Boston, MA (US); **Howard Dorsey Kellogg**, Somerville, MA (US); **Robert Charles Wopperer**, Stoneham, MA (US)

(72) Inventors: **Collin Wardwell Buesser**, Boston, MA (US); **Howard Dorsey Kellogg**, Somerville, MA (US); **Robert Charles Wopperer**, Stoneham, MA (US)

(73) Assignee: **Thermo Scientific Portable Analytical Instruments Inc.**, Tewksbury, MA (US)

(**) Term: **14 Years**

(21) Appl. No.: **29/435,974**

(22) Filed: **Oct. 31, 2012**

(51) **LOC (9) Cl.** **10-04**

(52) **U.S. Cl.**
USPC **D10/81**

(58) **Field of Classification Search**
USPC D10/75, 81; 378/44–50, 205
See application file for complete search history.

(56) **References Cited**

U.S. PATENT DOCUMENTS

3,409,769	A *	11/1968	McKinney et al.	378/47
D251,775	S *	5/1979	Schmidt et al.	D10/81
D261,034	S *	9/1981	Armbruster	D10/81
D273,129	S *	3/1984	Knox et al.	D10/81
D274,648	S *	7/1984	Swanson	D10/75
D336,256	S *	6/1993	McMahan et al.	D10/81
D356,745	S *	3/1995	Ninomiya et al.	D10/81
D360,150	S *	7/1995	Glitzke	D10/75
6,111,929	A *	8/2000	Hazlett	378/45
7,873,143	B2 *	1/2011	Dunham et al.	378/79
7,972,062	B2 *	7/2011	Nicolosi et al.	378/205

OTHER PUBLICATIONS

Elvatech Datasheet, ElvaX Mini: Maximum Performance, Minimum Investment, 2 pages, downloaded Dec. 21, 2011.
Olympus Datasheet, XRF for Nondestructive Precious Metals Analysis, InnovX, GoldXpert, 8 pages, 2010.
Olympus Datasheet, GoldXpert Series Portable XRF Analyzer User's Manual, 103659-01EN—Revision A, 86 pages, May 2012.
Quantum Bruker Datasheet, KaratMeter ORA, 2 pages, downloaded Dec. 21, 2011.
Skycray Instrument Datasheet, EDX600, 4 pages, downloaded Dec. 21, 2011.

* cited by examiner

Primary Examiner — Antoine D Davis

(74) *Attorney, Agent, or Firm* — Gordon Stewart

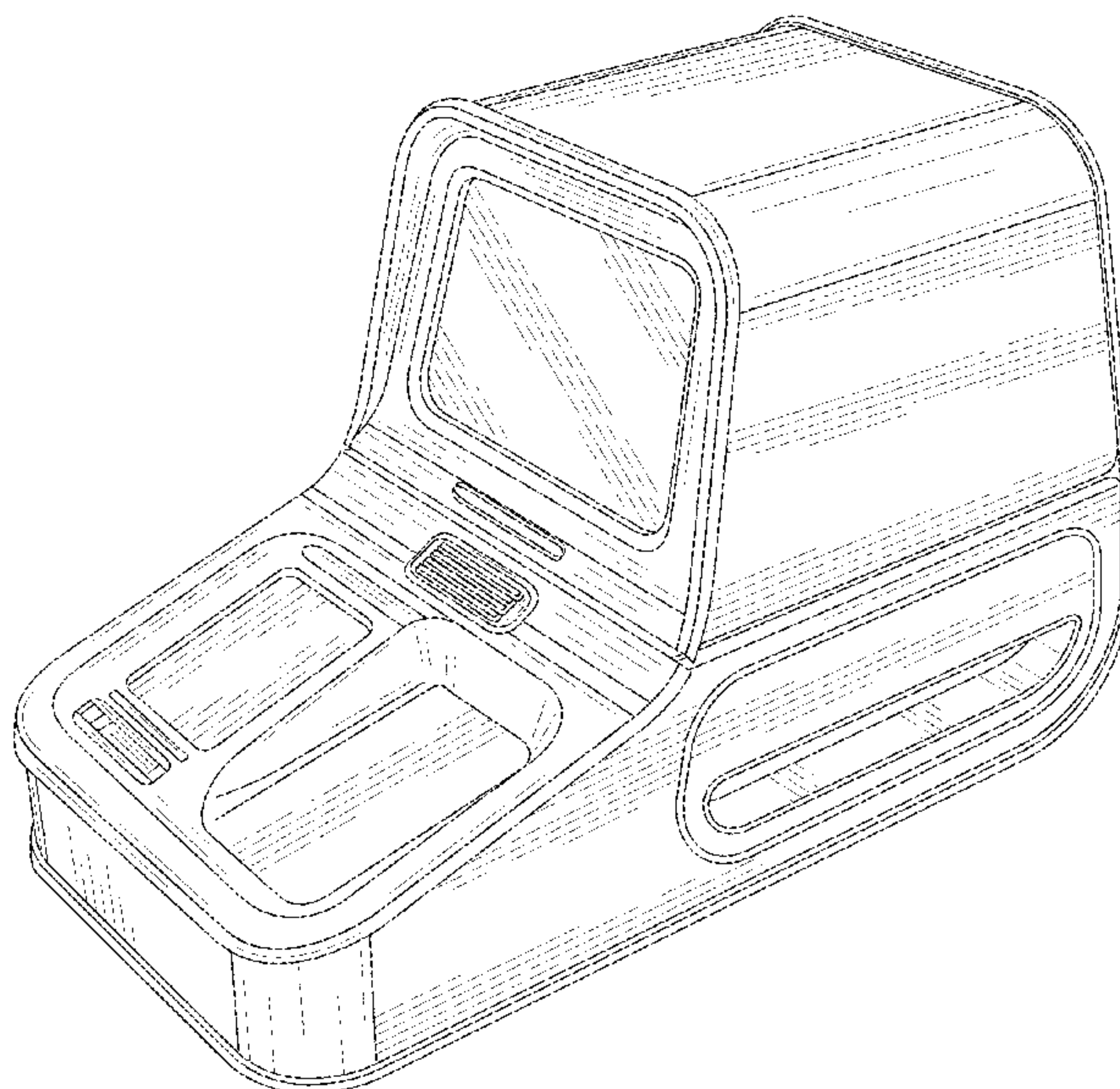
(57) **CLAIM**

The ornamental design for an analytical instrument, substantially as shown and described.

DESCRIPTION

FIG. 1 shows a perspective view of the design in a closed position, from the front, right side.
FIG. 2 shows a perspective of the design in the closed position, from a back left side.
FIG. 3 is a back elevation of the design in the closed position.
FIG. 4 shows a front elevation of the design in the closed position.
FIG. 5 shows a left side elevation of the design in the closed position.
FIG. 6 shows a top view of the design in the closed position.
FIG. 7 shows a right side view of the design in an open position.
FIG. 8 shows a front view of the design in the open position; and,
FIG. 9 is a bottom view of the design.

1 Claim, 8 Drawing Sheets



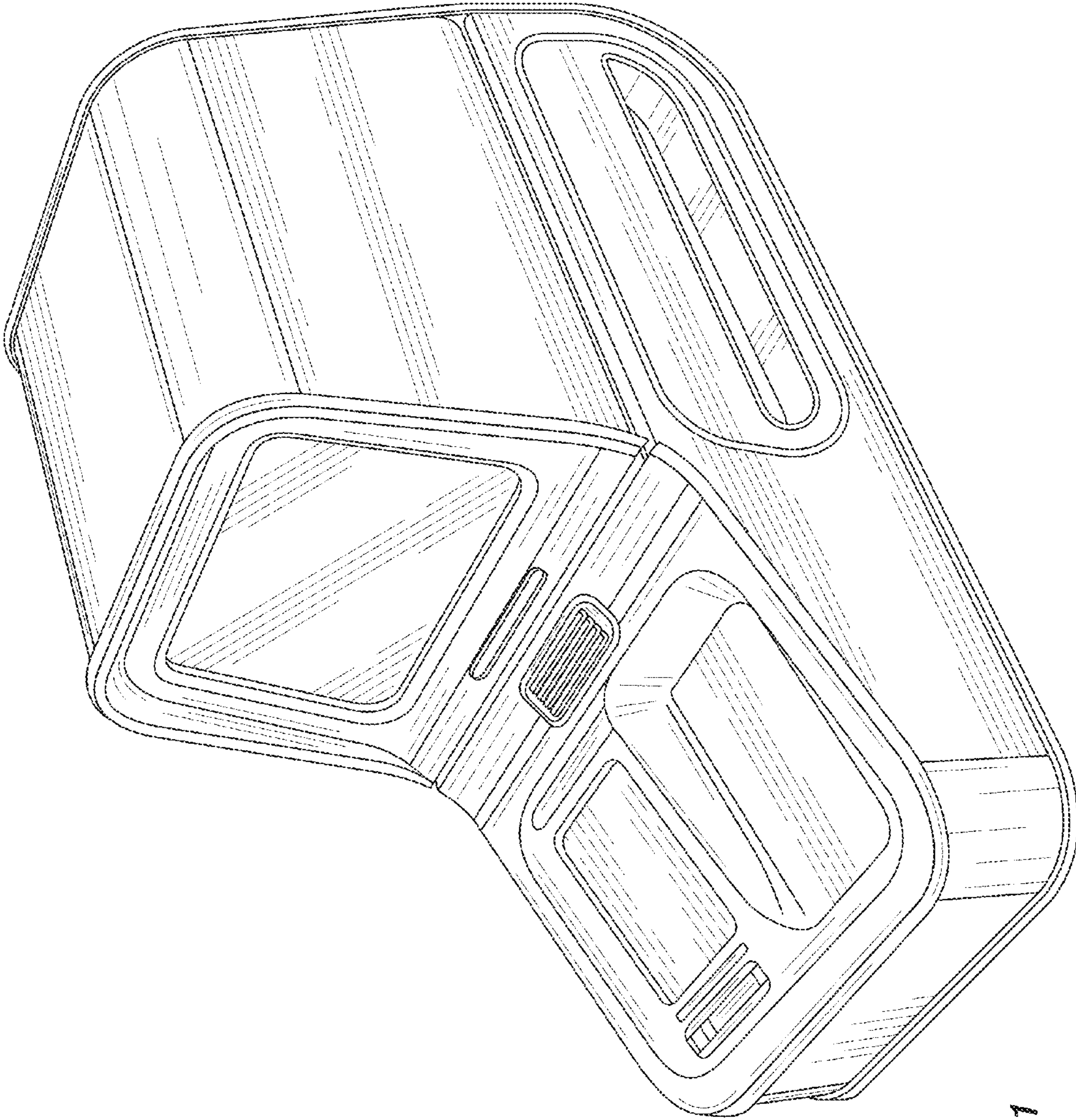


FIG. 1

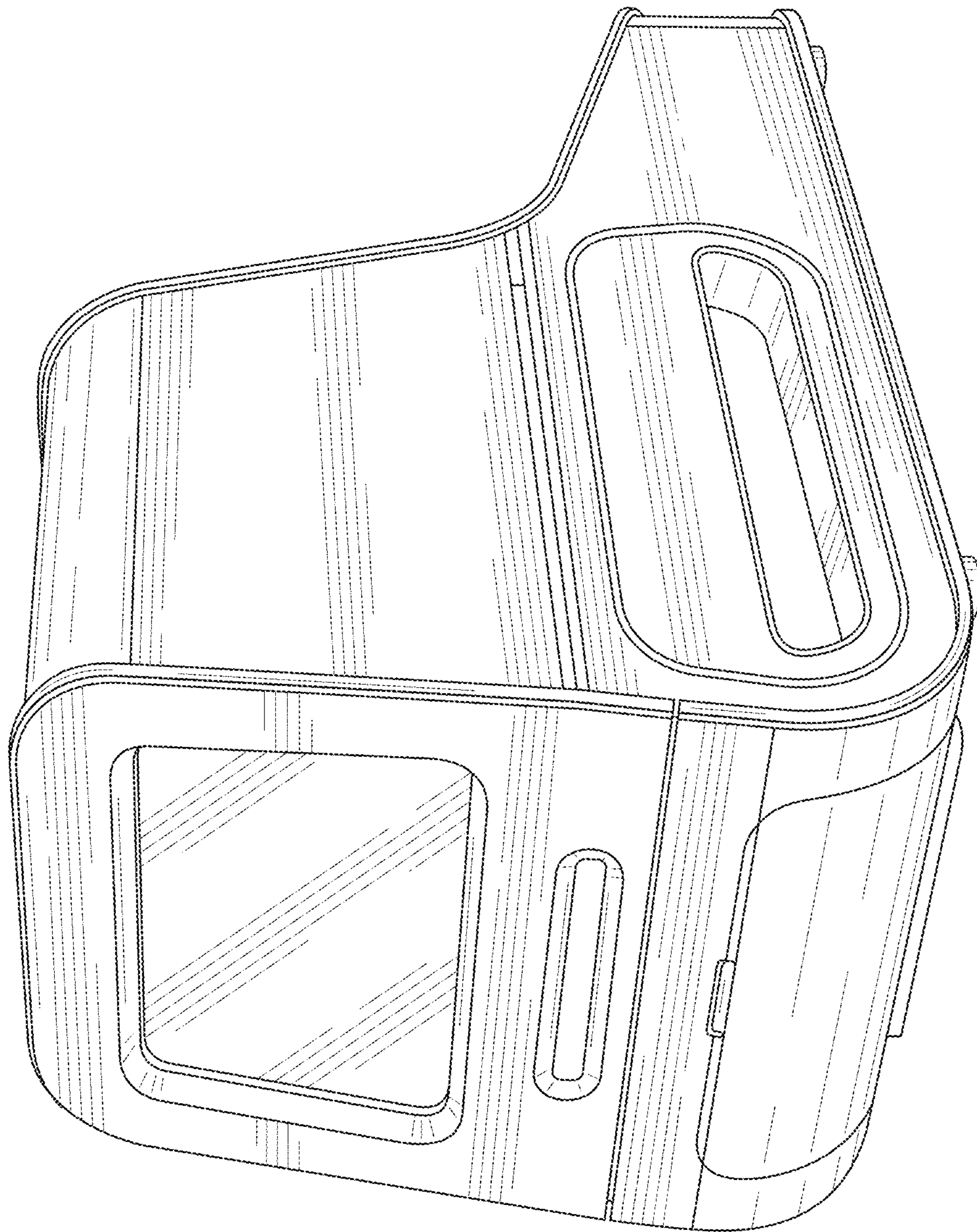


FIG. 2

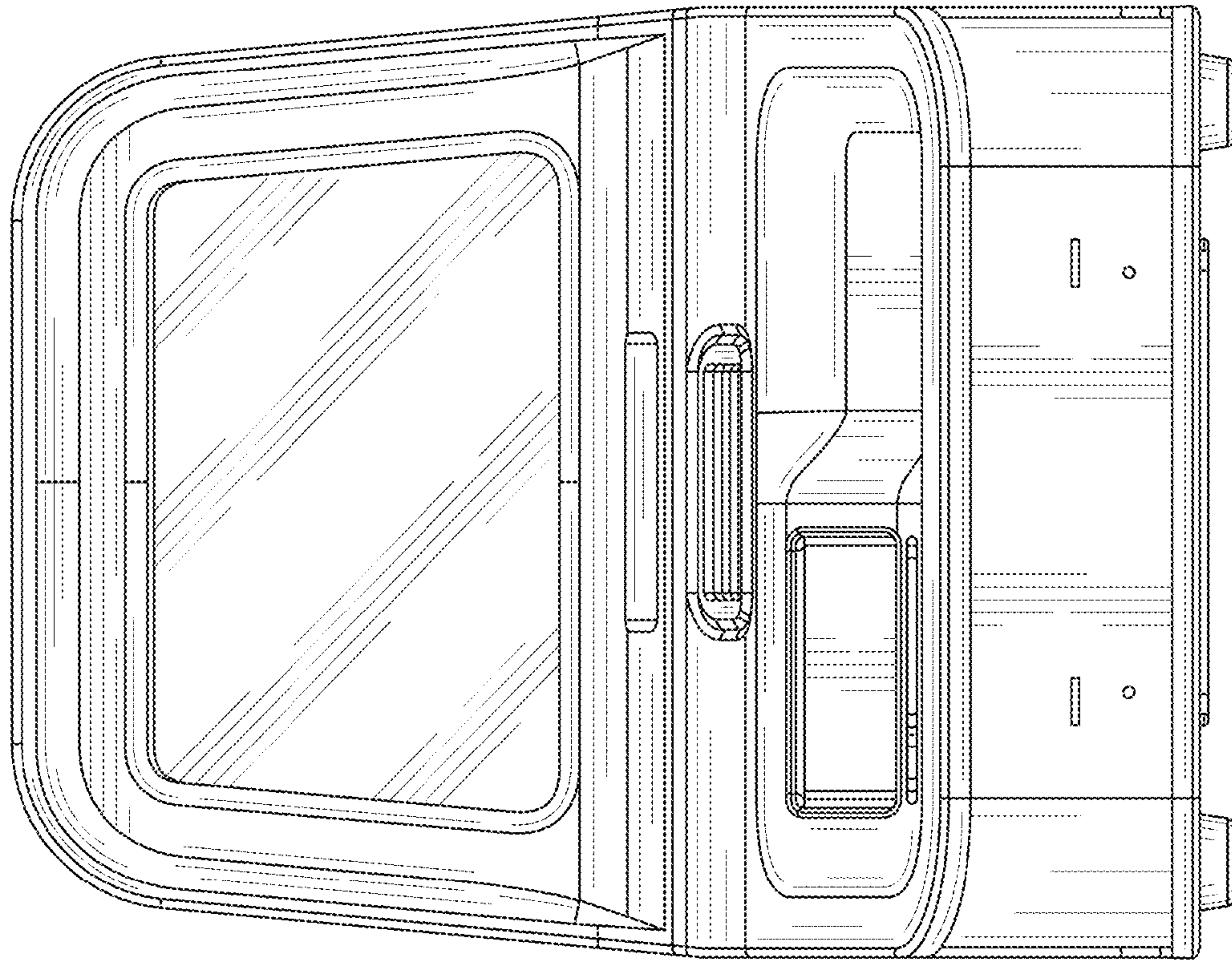


FIG. 4

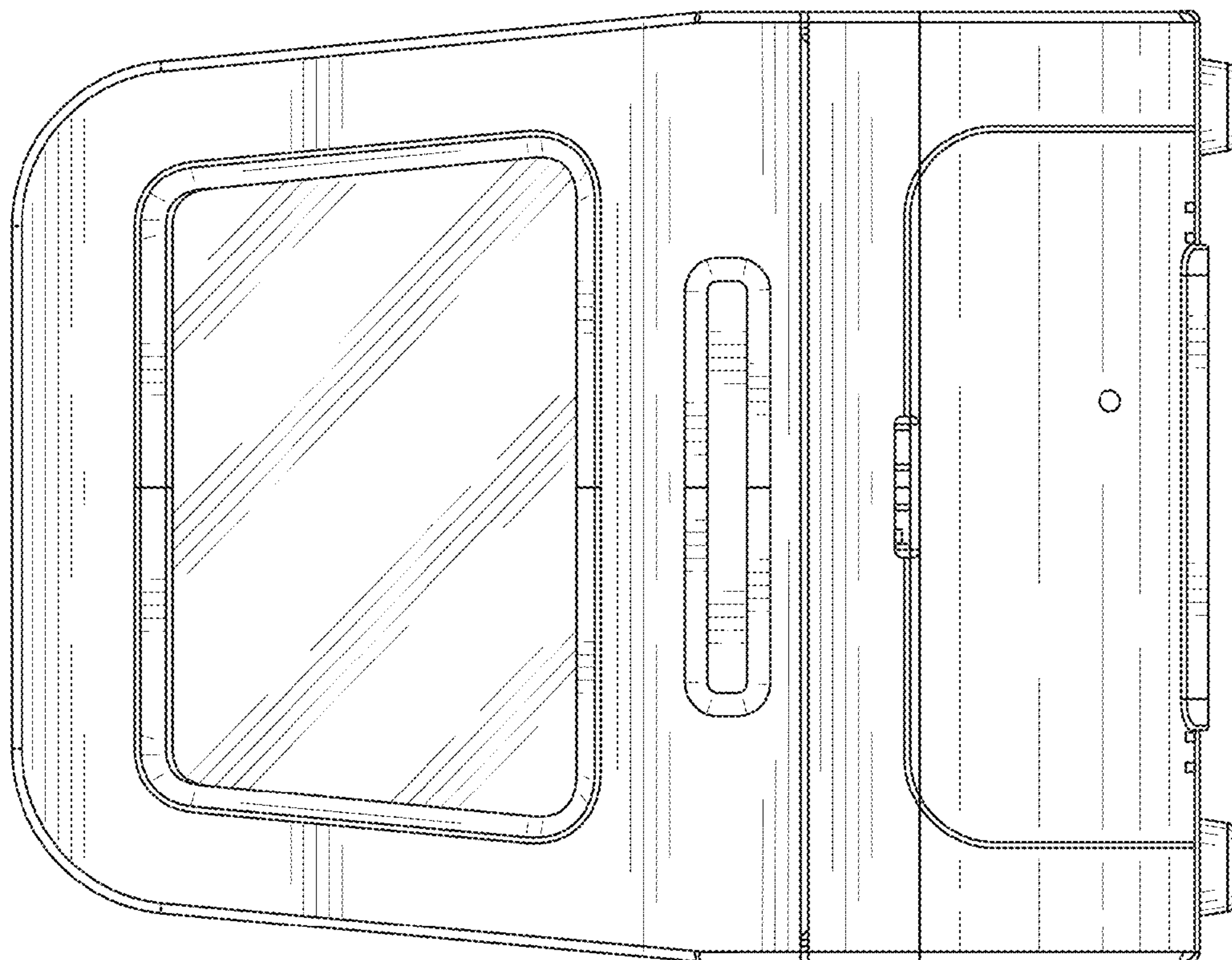


FIG. 3

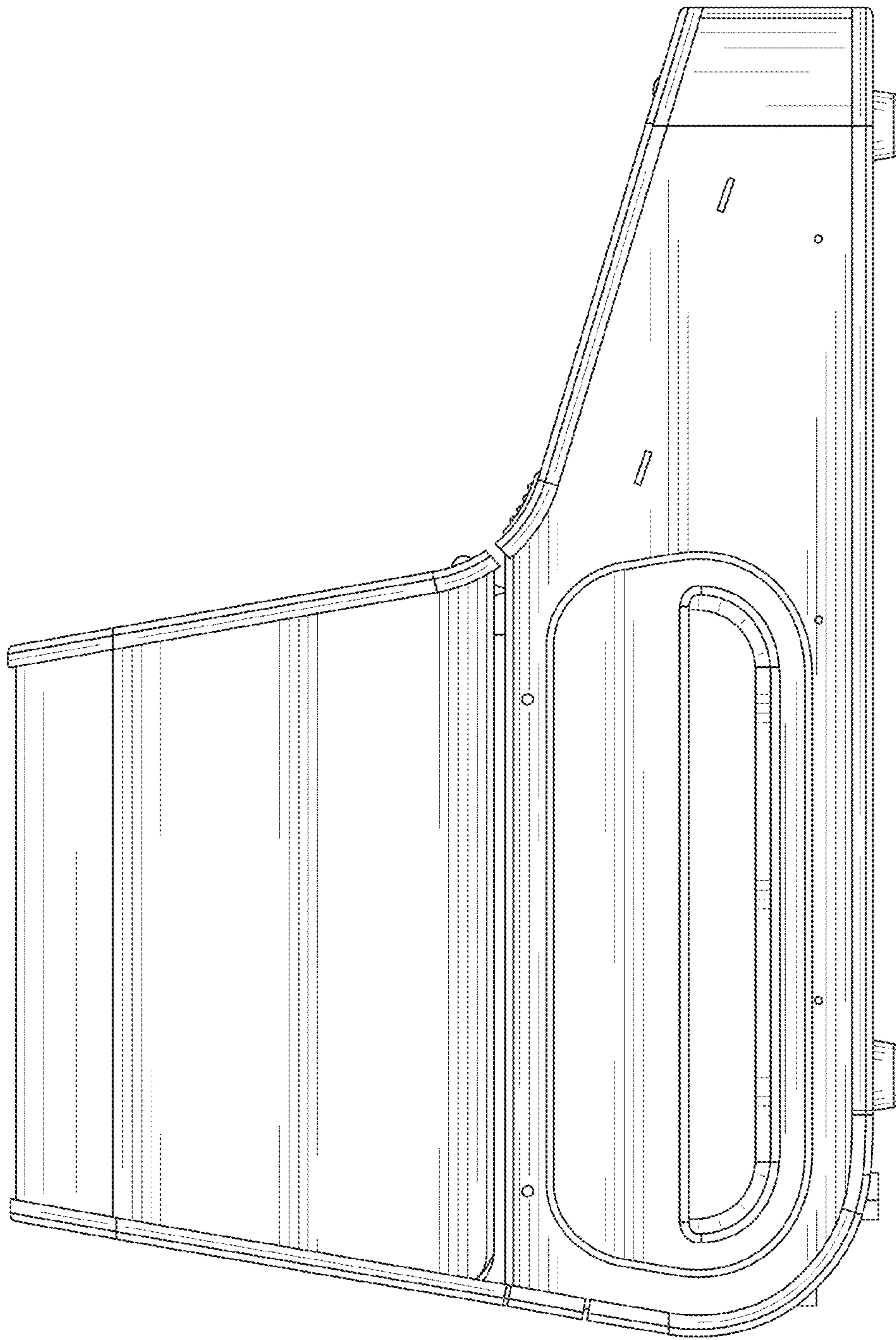


FIG. 5

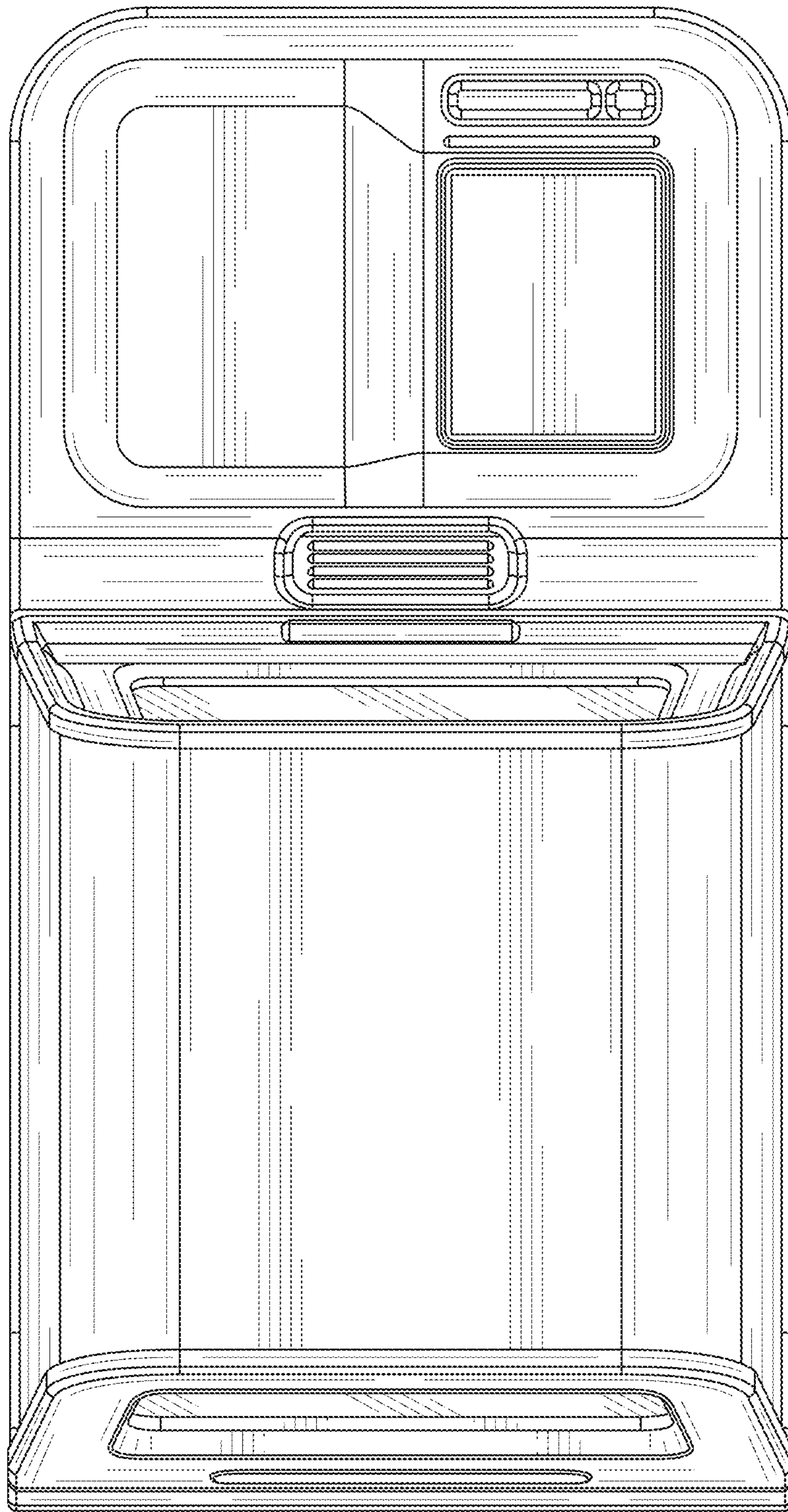


FIG. 6

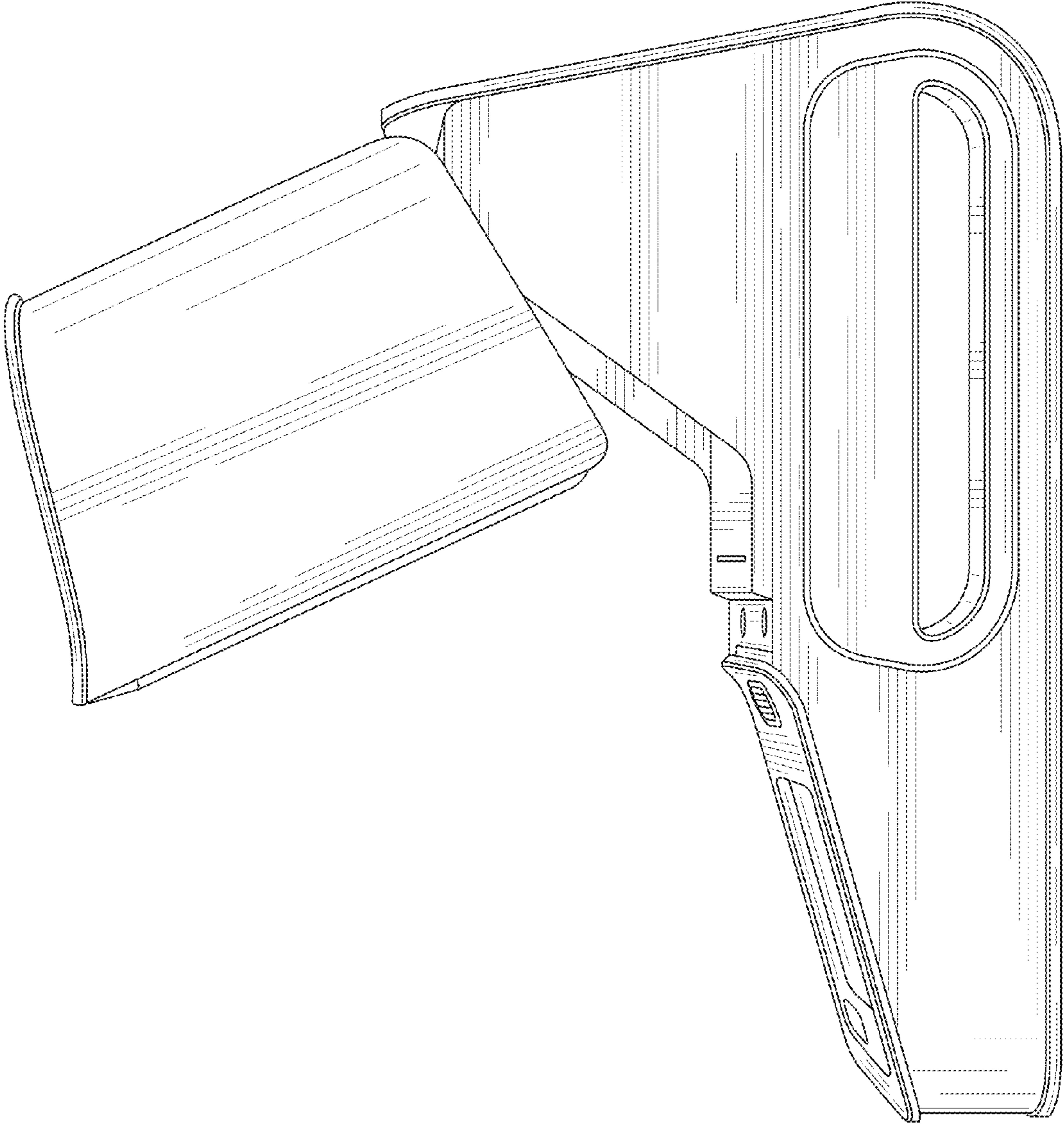


FIG. 7

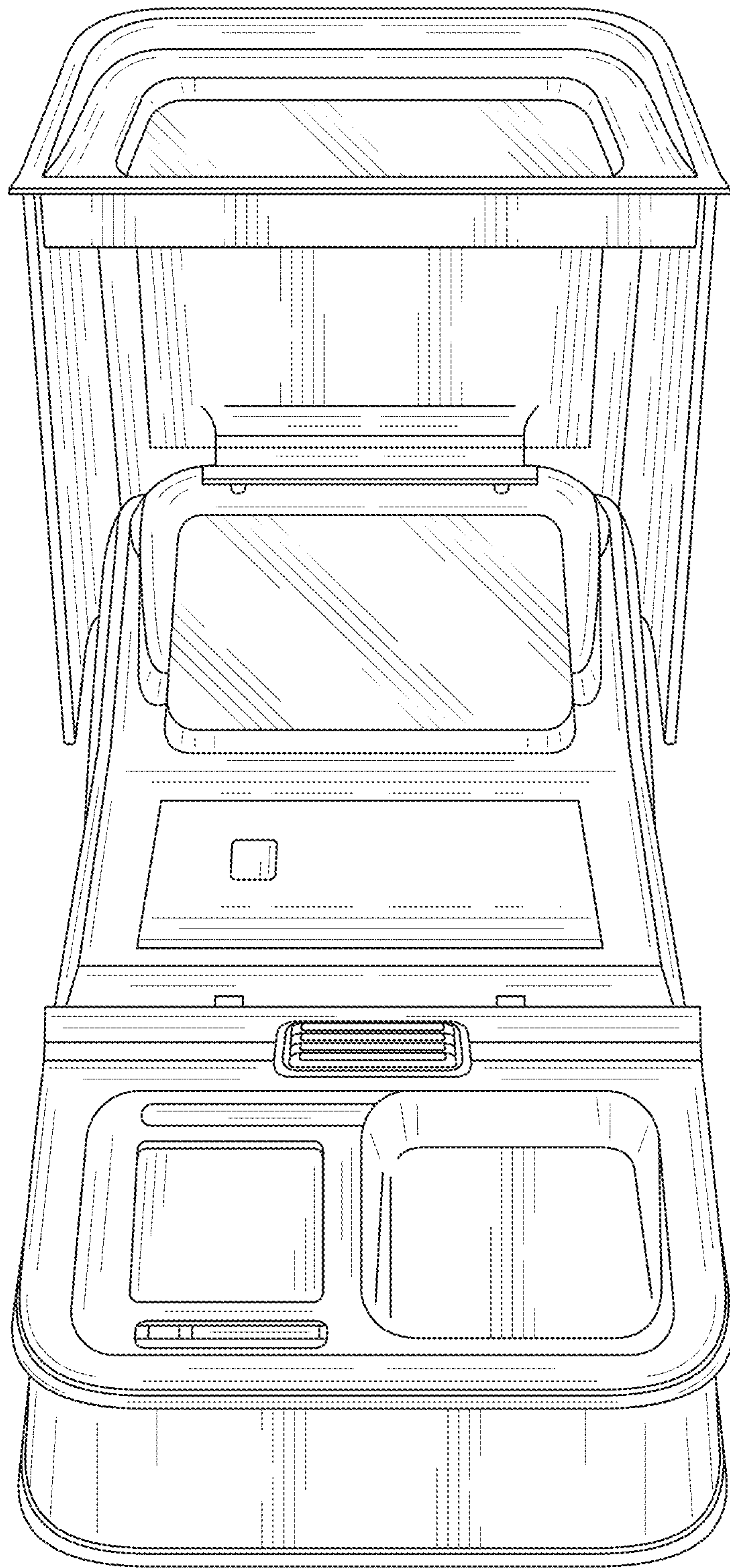


FIG. 8

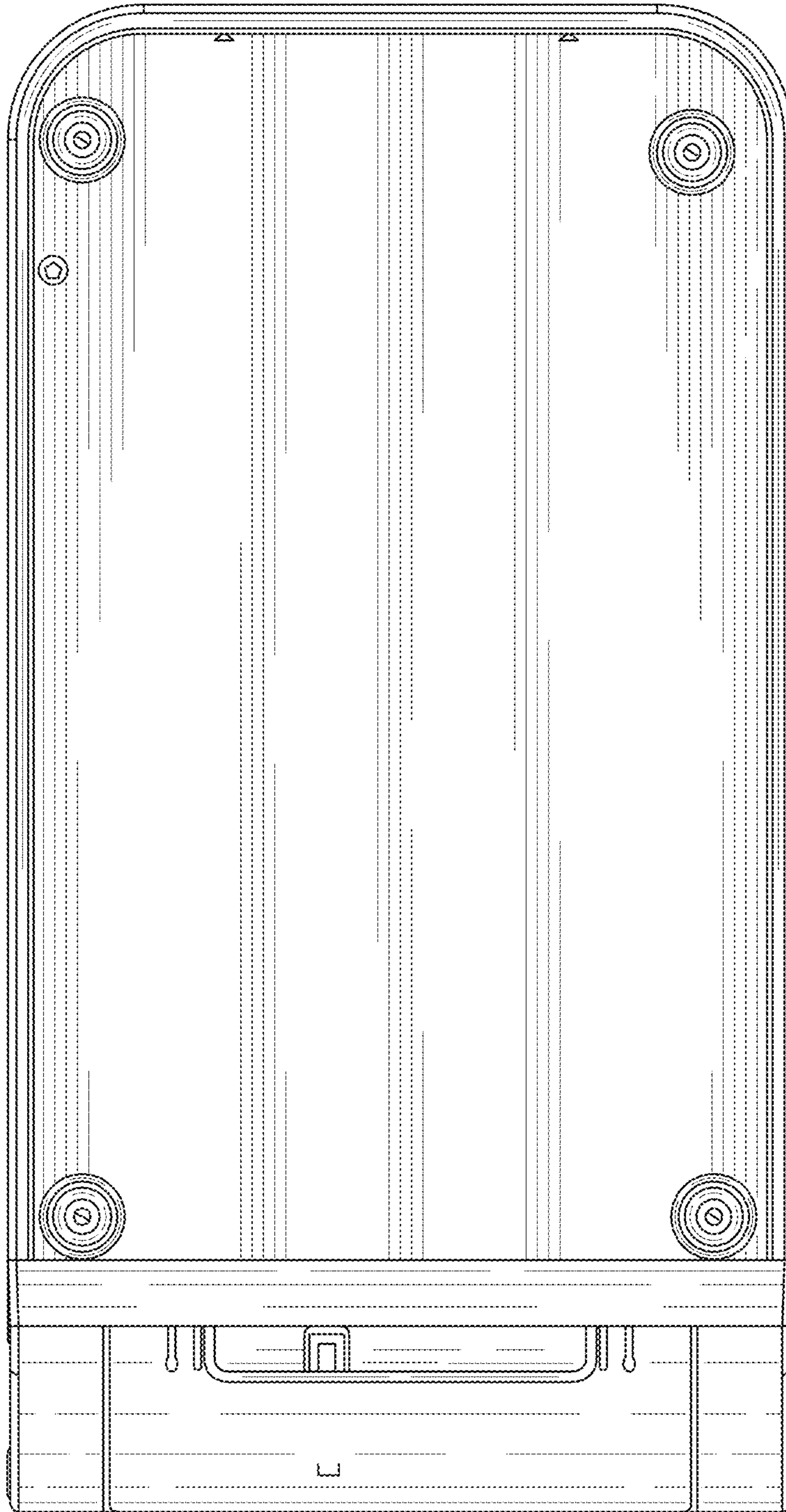


FIG. 9