



US00D683638S

(12) **United States Design Patent**
Fried

(10) **Patent No.:** **US D683,638 S**

(45) **Date of Patent:** **** Jun. 4, 2013**

(54) **MULTI-MEASURE TAPE**

D615,890 S * 5/2010 Krebs et al. D10/72
D638,321 S * 5/2011 Herrera D10/72

(75) Inventor: **Brian Fried**, Melville, NY (US)

* cited by examiner

(73) Assignee: **Brian Fried**, Melville, NY (US)

Primary Examiner — Antoine D Davis

(**) Term: **14 Years**

(74) *Attorney, Agent, or Firm* — Lane Patents LLC

(21) Appl. No.: **29/412,125**

(57) **CLAIM**

The ornamental design for a multi-measuring tape, as shown and described.

(22) Filed: **Jan. 31, 2012**

(51) **LOC (9) Cl.** **10-04**

DESCRIPTION

(52) **U.S. Cl.**

USPC **D10/72**; D10/62

(58) **Field of Classification Search**

USPC D10/62, 72; 33/755-771; 242/285,
242/291, 379, 379.1, 379.2, 381, 381.1-381.6,
242/405

See application file for complete search history.

FIG. 1 is a front perspective view;
FIG. 2 is a back perspective view;
FIG. 3 is a front orthogonal view;
FIG. 4 is a right side orthogonal view;
FIG. 5 is a left side orthogonal view;
FIG. 6 is a back orthogonal view;
FIG. 7 is a top orthogonal view; and,
FIG. 8 is a bottom orthogonal view.

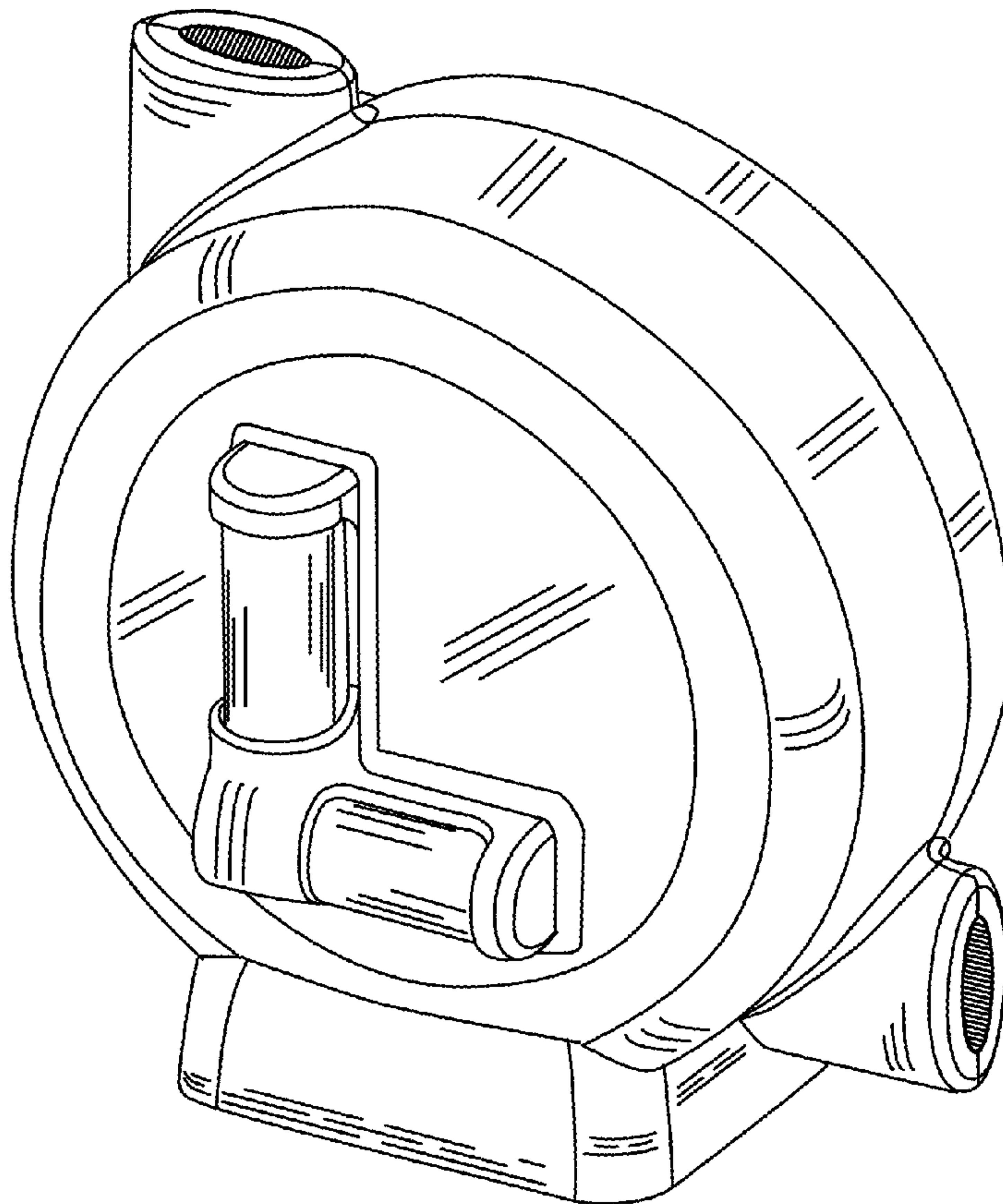
Broken lines, if any, shown on the drawings are for illustrative purposes only and form no part of the claimed design.

(56) **References Cited**

U.S. PATENT DOCUMENTS

D459,252 S * 6/2002 Radivojevic et al. D10/72
D569,748 S * 5/2008 Caldi D10/72

1 Claim, 3 Drawing Sheets



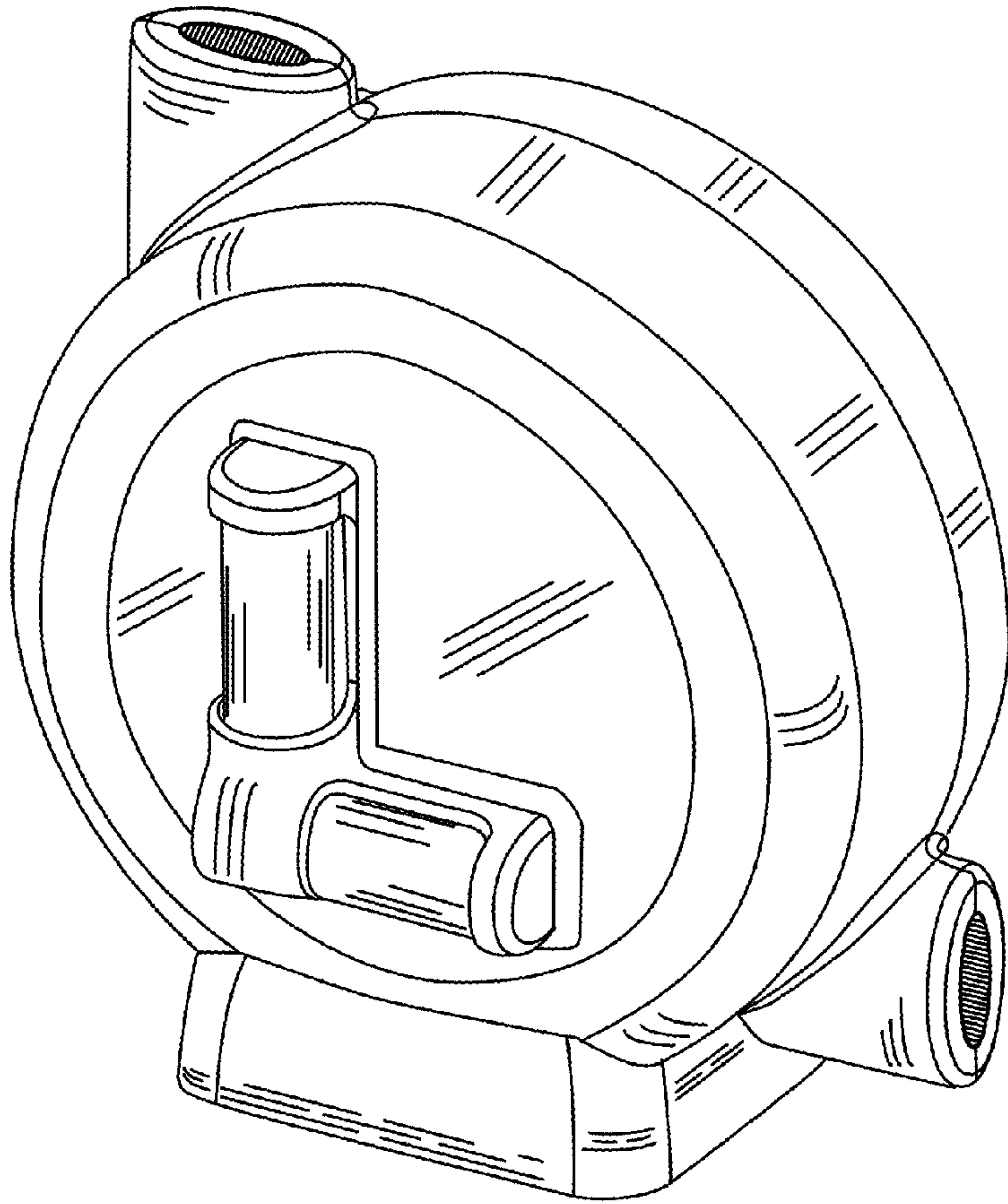


Fig 1

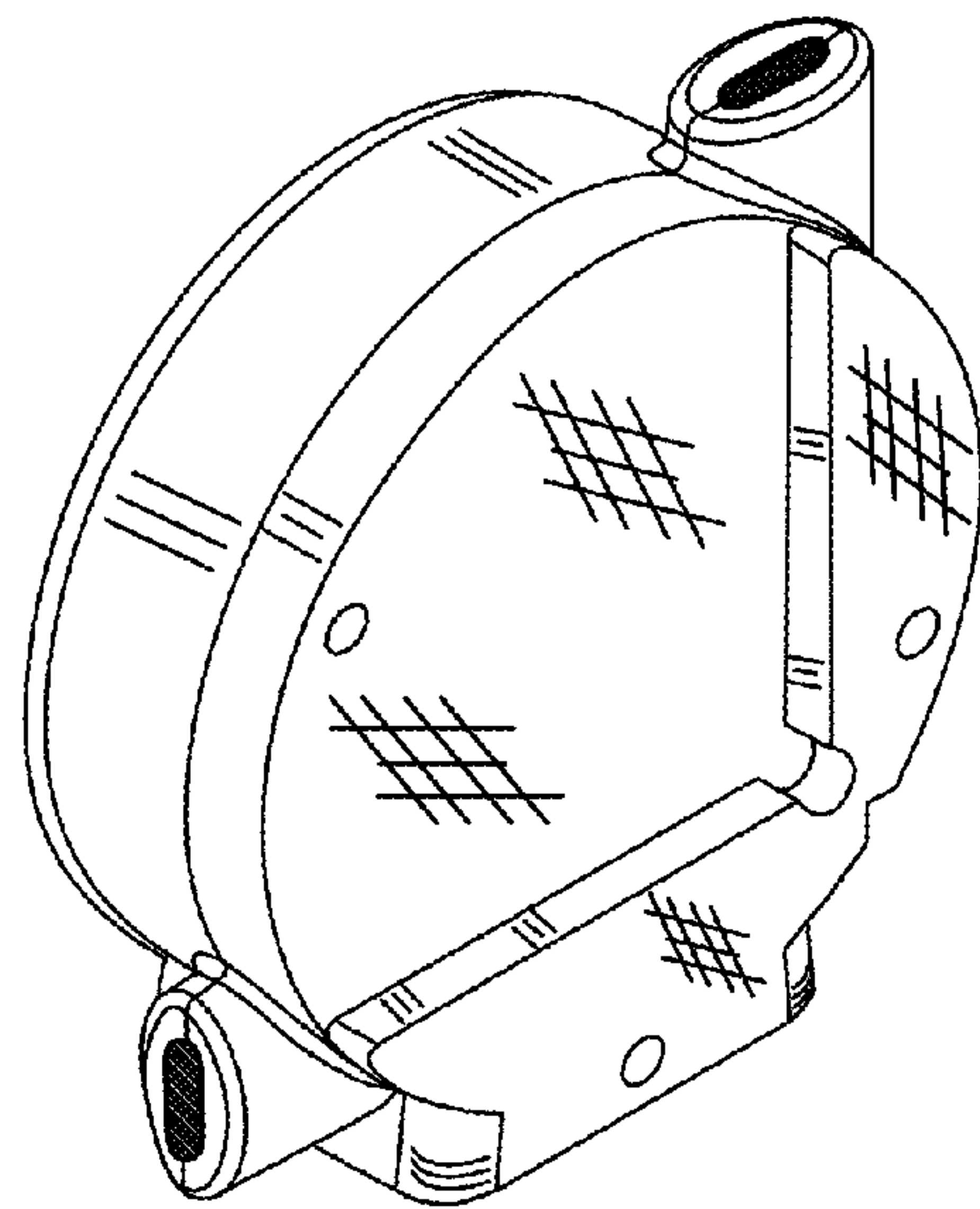


Fig 2

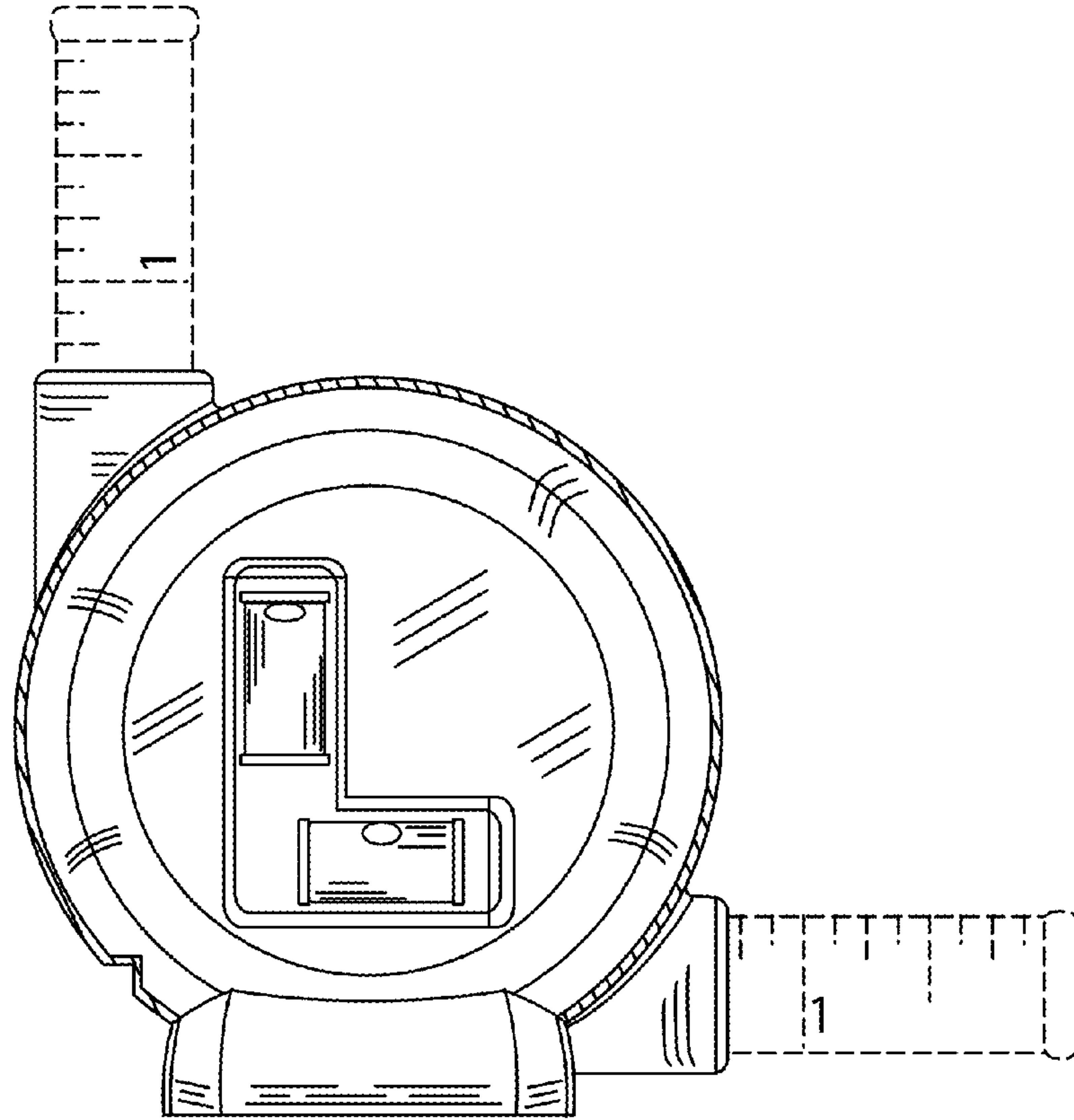


Fig 3

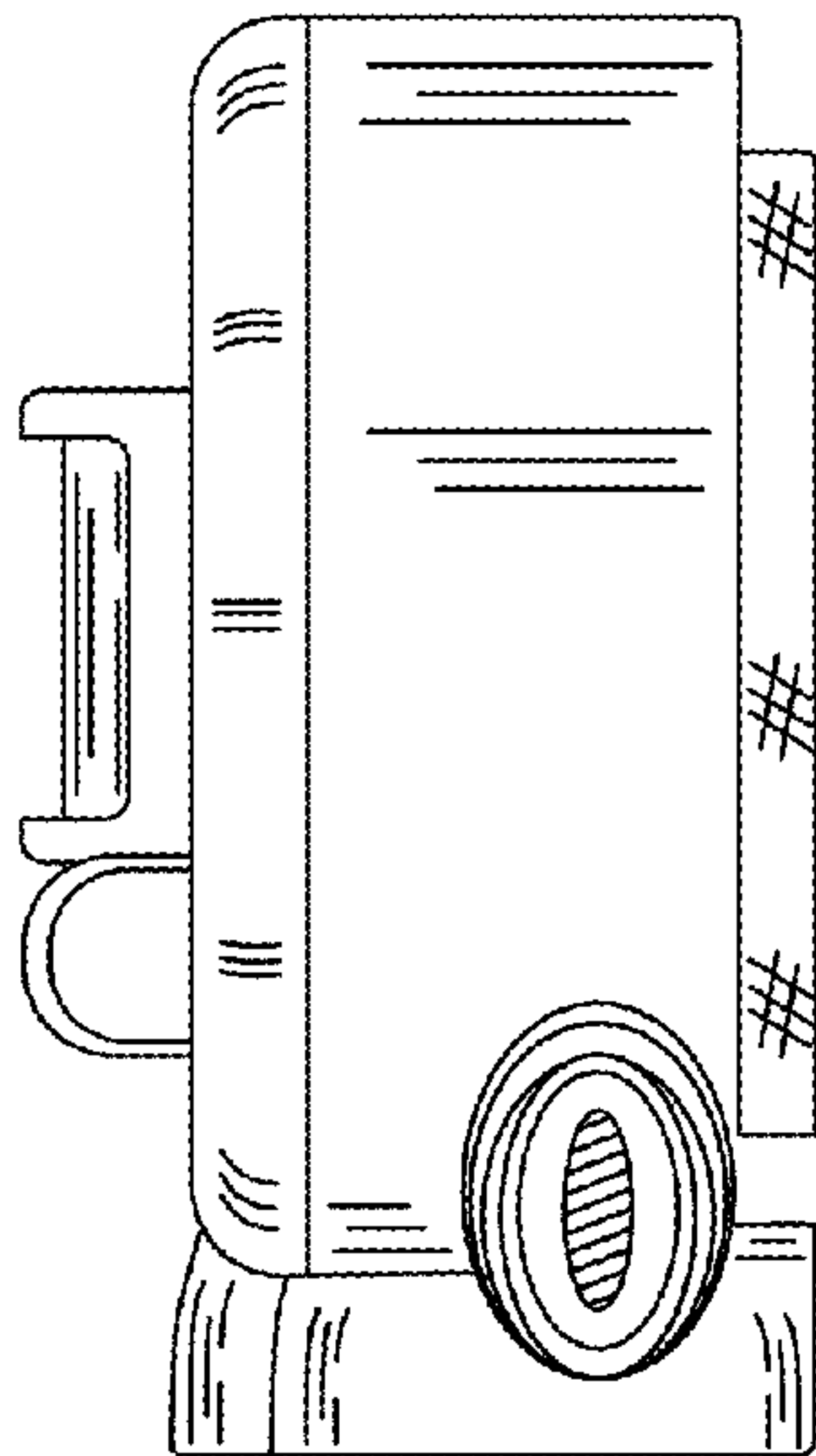


Fig 4

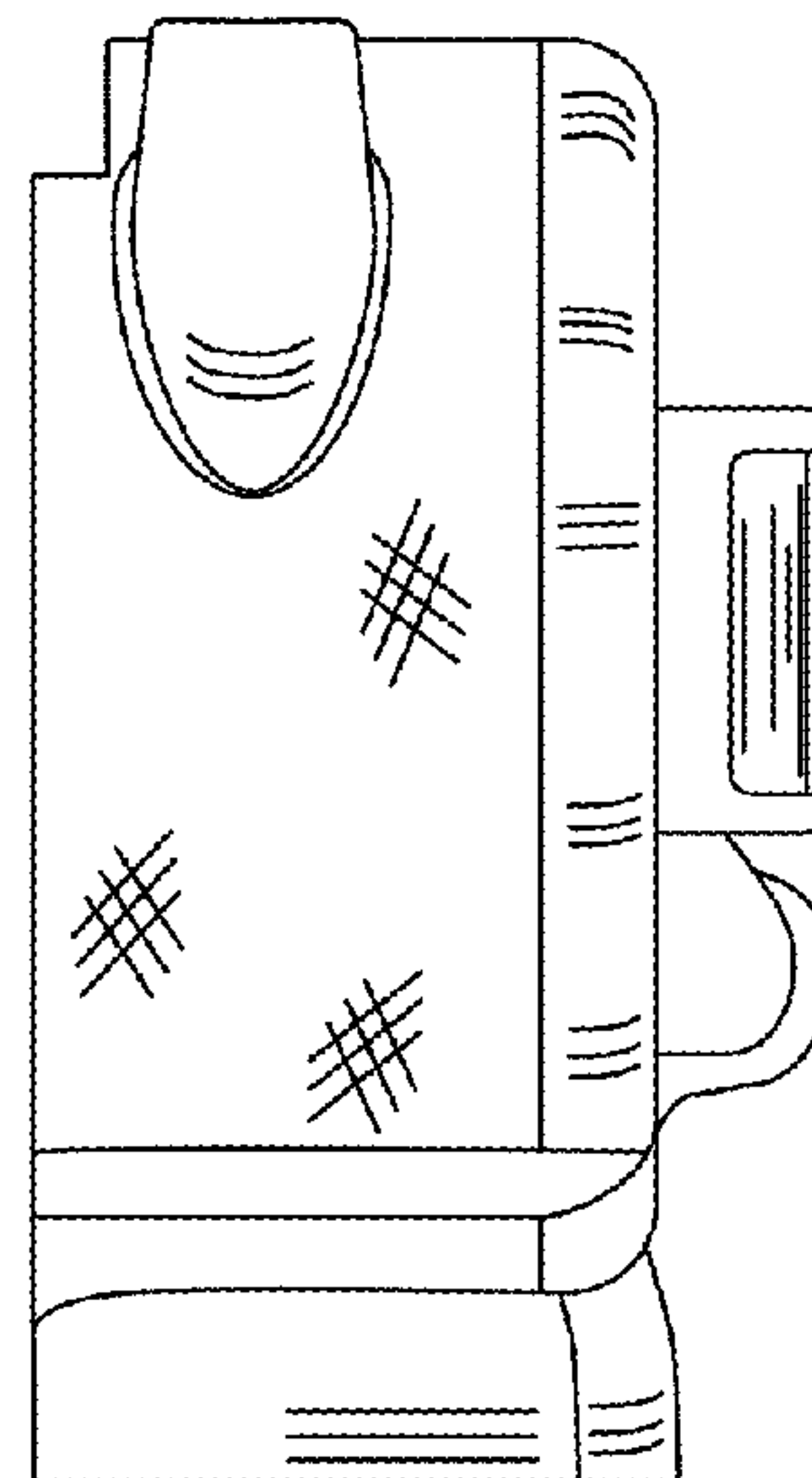


Fig 5

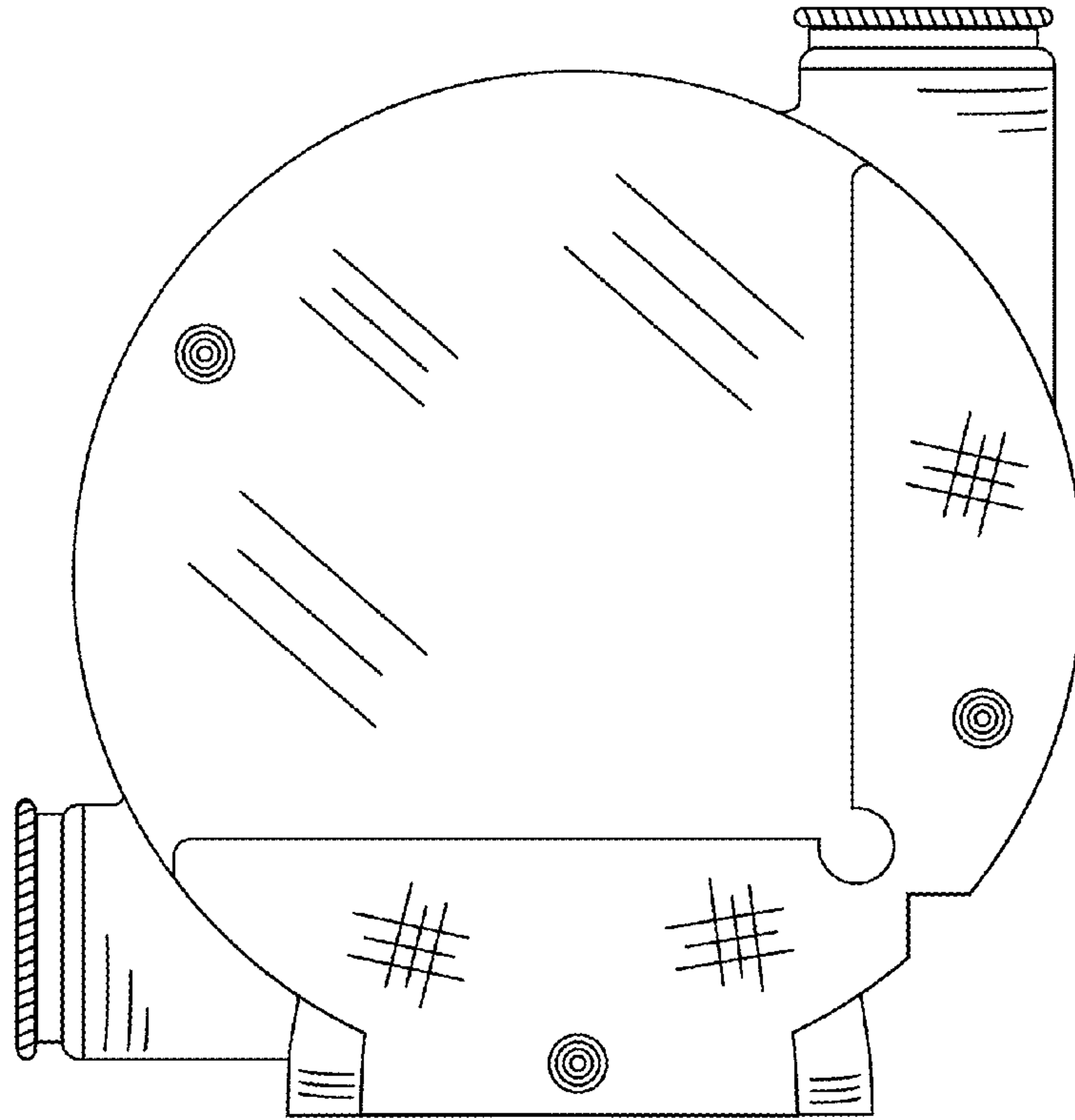


Fig 6

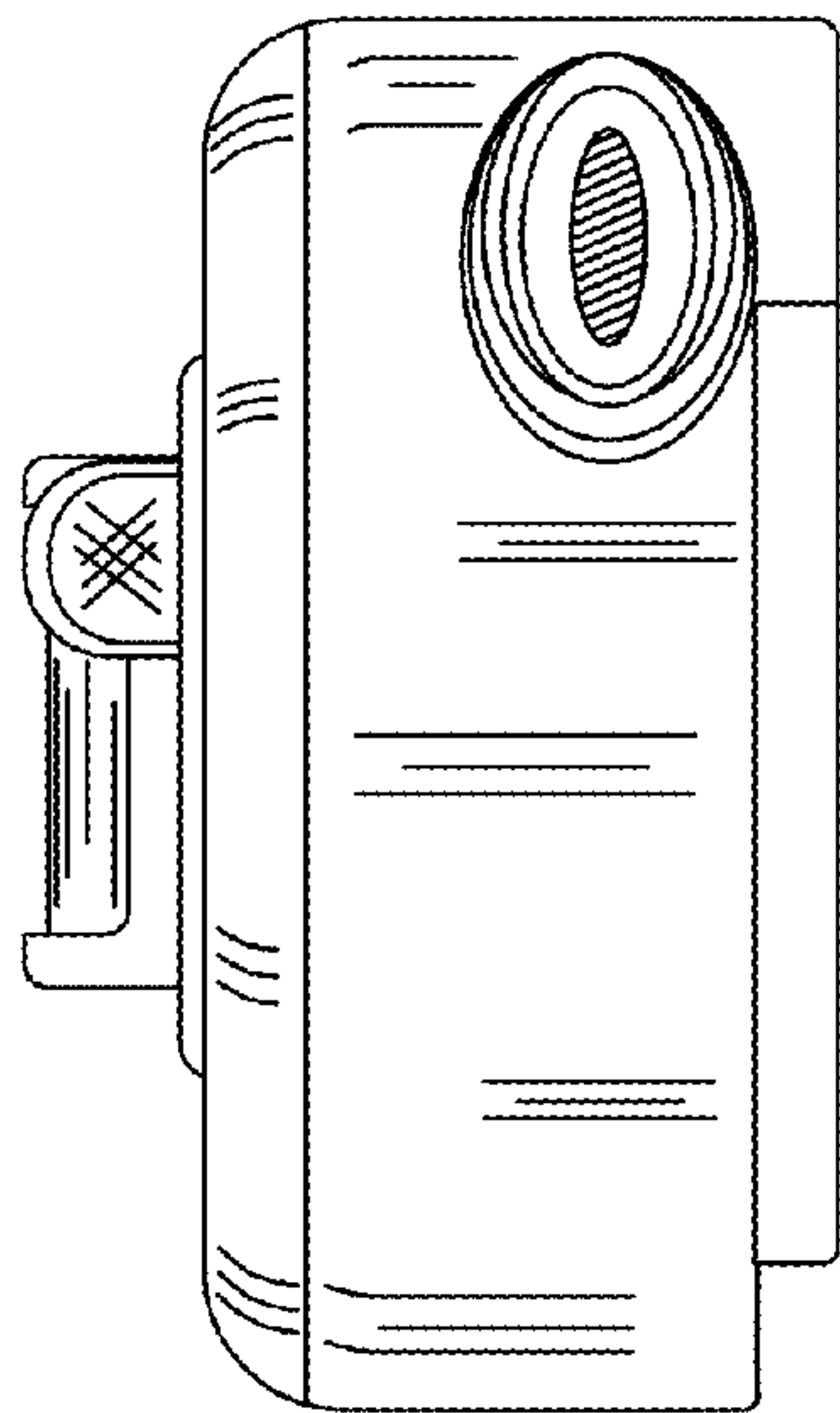


Fig 7

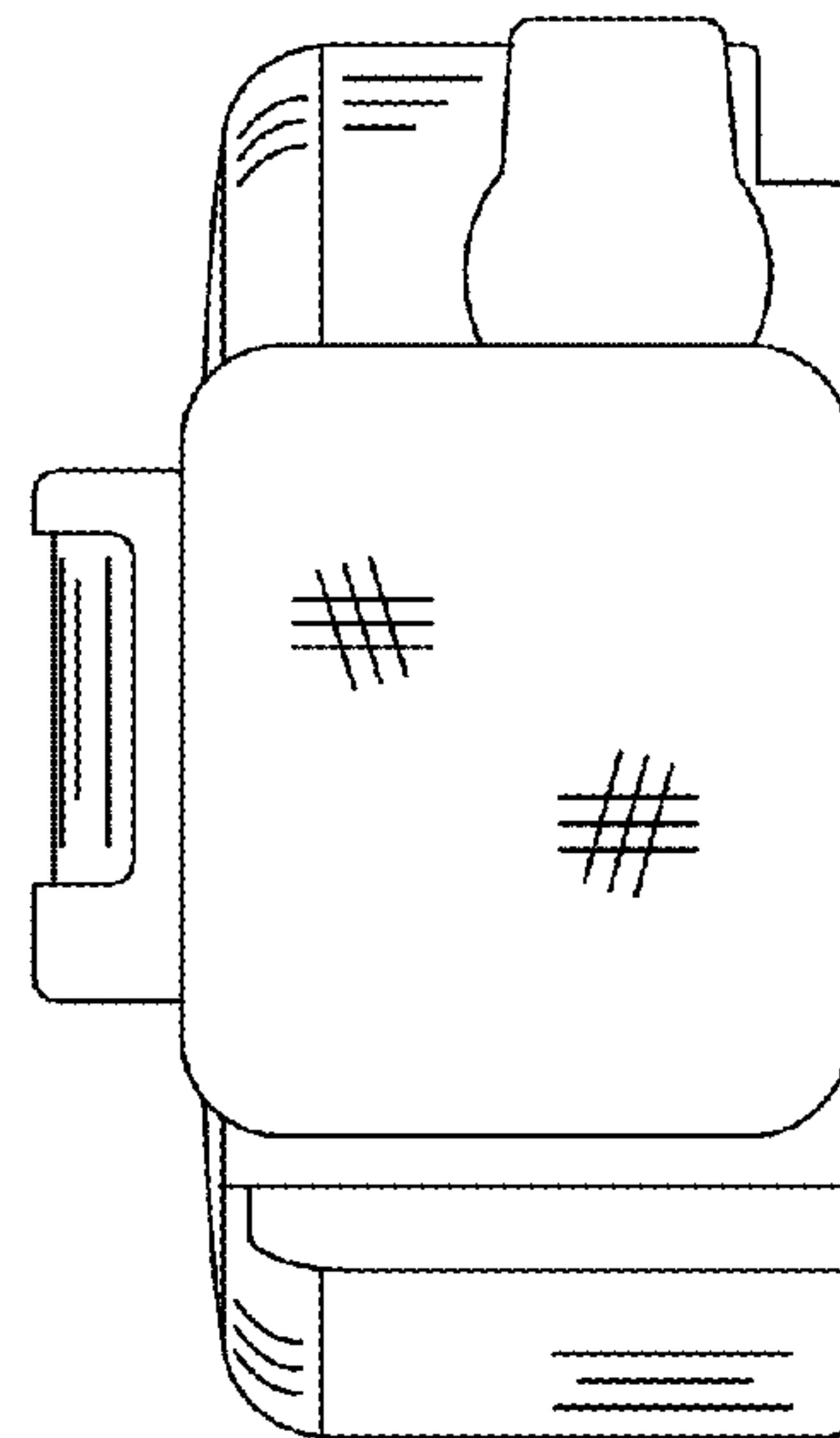


Fig 8