



US00D683637S

(12) **United States Design Patent**  
**Hanada**

(10) **Patent No.:** **US D683,637 S**  
(45) **Date of Patent:** **\*\* Jun. 4, 2013**

(54) **MOTION SENSOR**

(75) Inventor: **Kaname Hanada**, Nagaokakyo (JP)

(73) Assignee: **Murata Manufacturing Co., Ltd.**,  
Nagaokakyo-Shi, Kyoto-fu (JP)

(\*\*) Term: **14 Years**

(21) Appl. No.: **29/415,170**

(22) Filed: **Mar. 8, 2012**

(30) **Foreign Application Priority Data**

Oct. 3, 2011 (JP) ..... 2011-022676  
Oct. 3, 2011 (JP) ..... 2011-022677

(51) **LOC (9) Cl.** ..... **10-04**

(52) **U.S. Cl.**  
USPC ..... **D10/70**

(58) **Field of Classification Search**  
USPC ..... D10/70; 250/221, 338.3, 340, 239,  
250/342, 341, DIG. 1; 307/116, 117; 340/521,  
340/527, 541, 567, 540, 568.2, 539.23; 315/159  
See application file for complete search history.

(56) **References Cited**

**U.S. PATENT DOCUMENTS**

D666,512 S \* 9/2012 Gresko et al. .... D10/70

\* cited by examiner

*Primary Examiner* — Antoine D Davis

(74) *Attorney, Agent, or Firm* — Dickstein Shaprio LLP

(57) **CLAIM**

The ornamental design for a motion sensor, as shown and described.

**DESCRIPTION**

FIG. 1 is a front view of a motion sensor of a first embodiment showing my new design;  
FIG. 2 is a rear view thereof;  
FIG. 3 is a top plan view thereof;  
FIG. 4 is a bottom plan view thereof;  
FIG. 5 is a right side view thereof;  
FIG. 6 is a left side view thereof;  
FIG. 7 is a perspective view thereof;  
FIG. 8 is a sectional view taken along line 8-8 of a FIG. 3 omitting internal structure thereof;  
FIG. 9 is a sectional view taken along line 9-9 of a FIG. 3 omitting internal structure thereof;  
FIG. 10 is a front view of a motion sensor of a second embodiment showing my new design;  
FIG. 11 is a rear view thereof;  
FIG. 12 is a top plan view thereof;  
FIG. 13 is a bottom plan view thereof;  
FIG. 14 is a right side view thereof;  
FIG. 15 is a left side view thereof;  
FIG. 16 is a perspective view thereof;  
FIG. 17 is a sectional view taken along line 17-17 of a FIG. 12 omitting internal structure thereof; and,  
FIG. 18 is a sectional view taken along line 18-18 of a FIG. 12 omitting internal structure thereof.  
The broken line showing is for illustrative purpose only and forms no part of the claimed design.

**1 Claim, 6 Drawing Sheets**

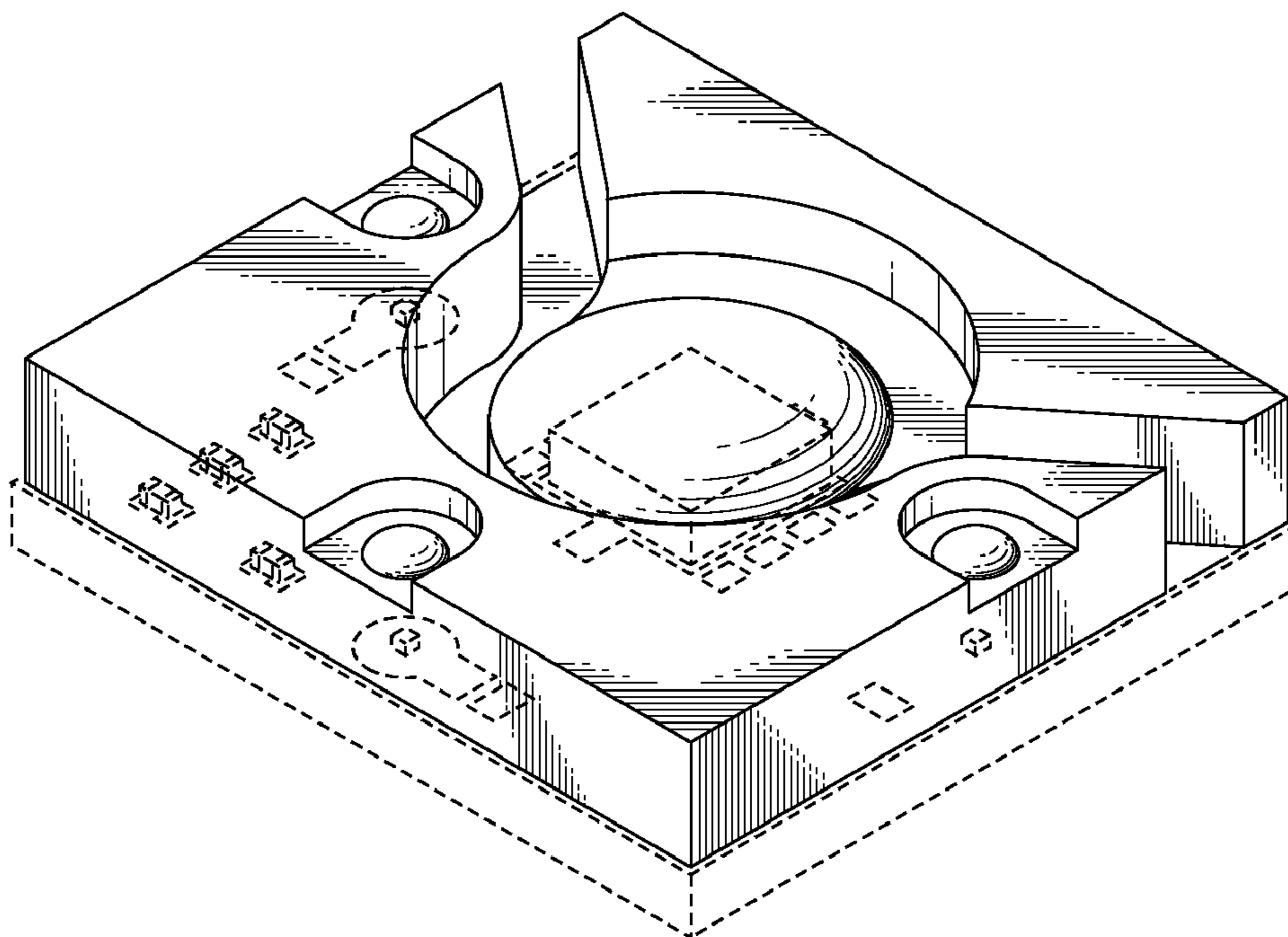


FIG. 1



FIG. 2

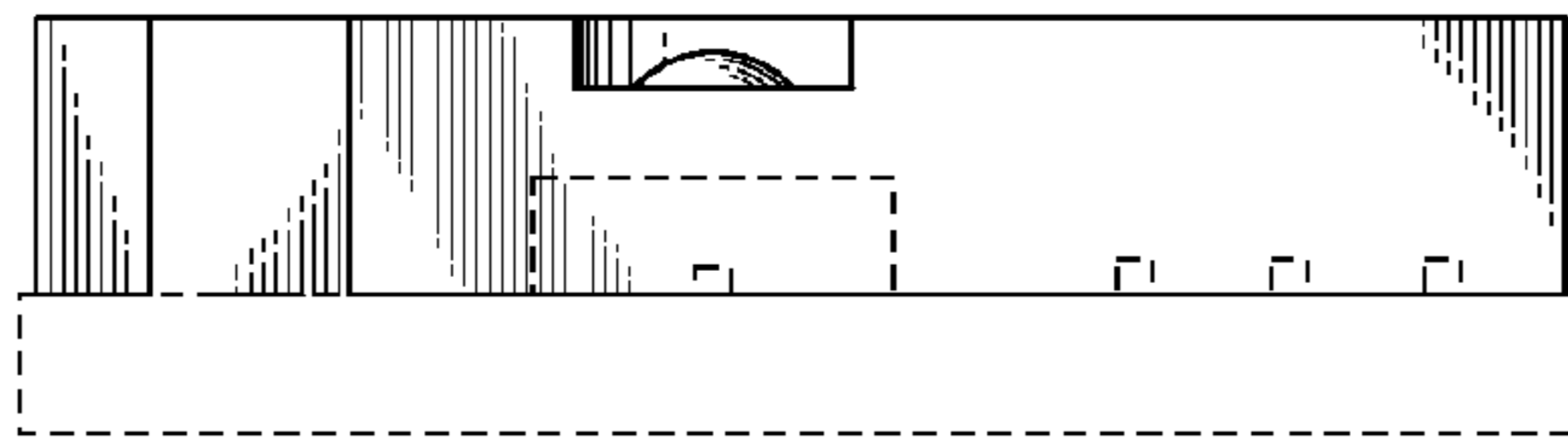


FIG. 3

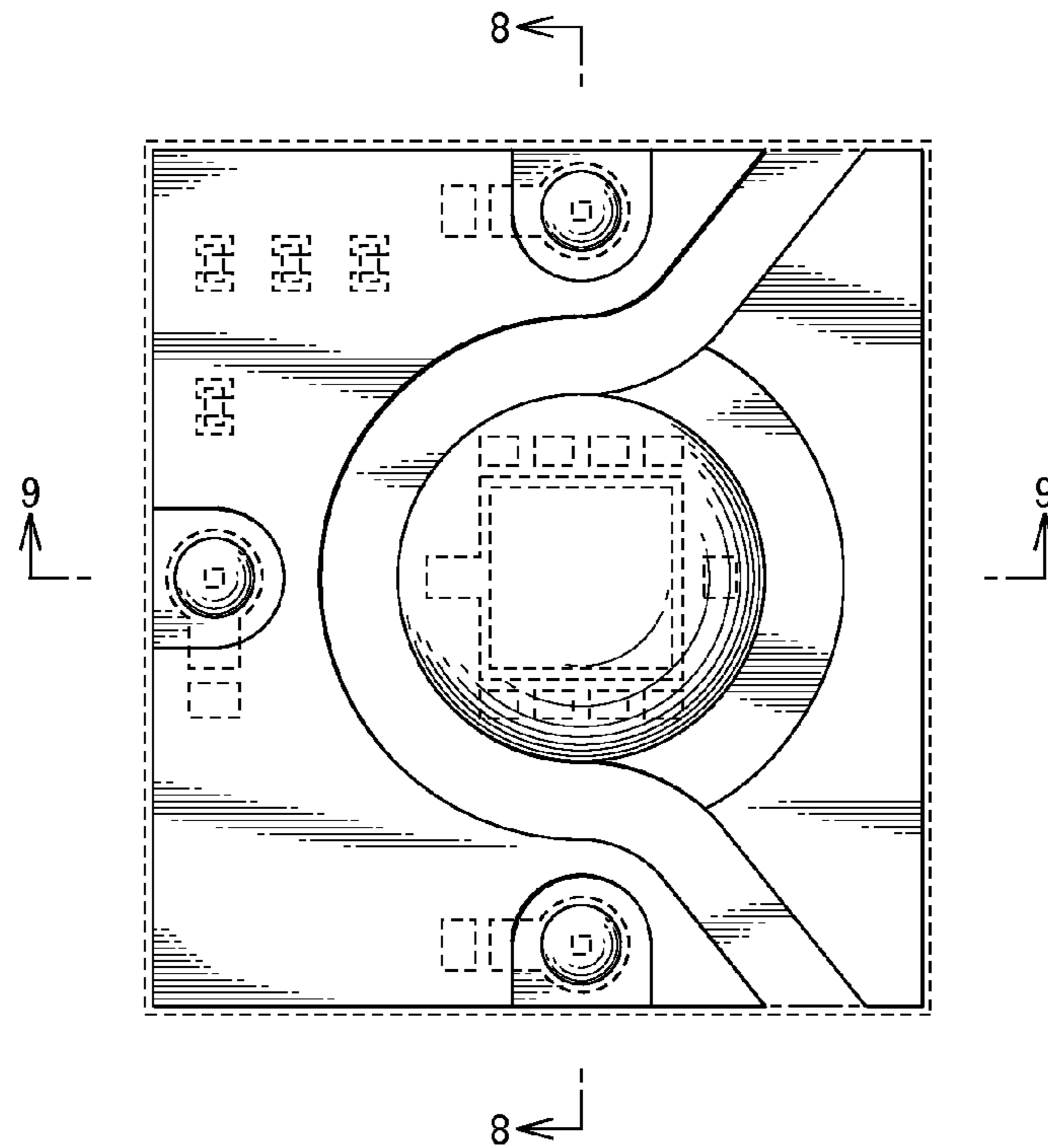


FIG.4

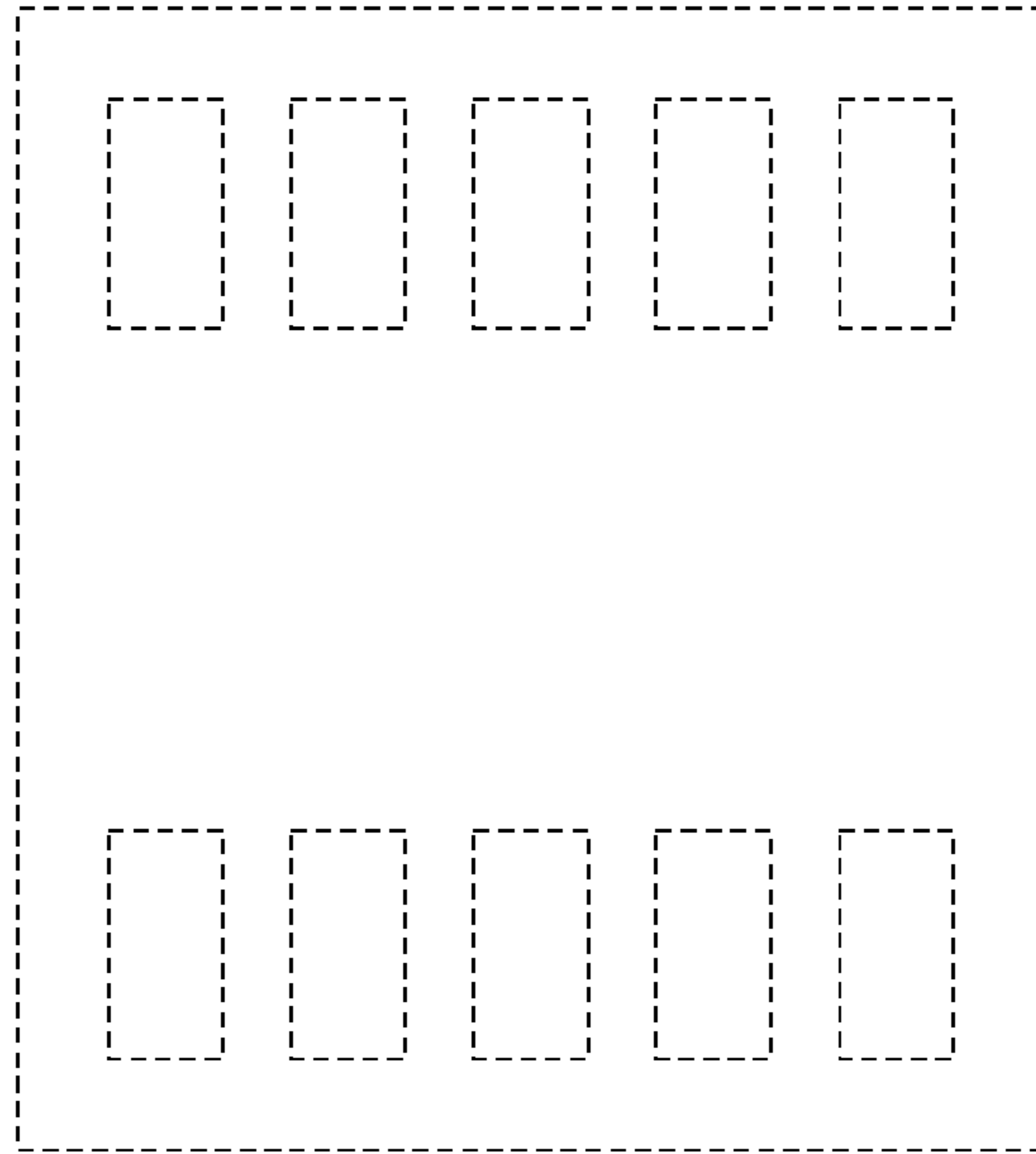


FIG.5

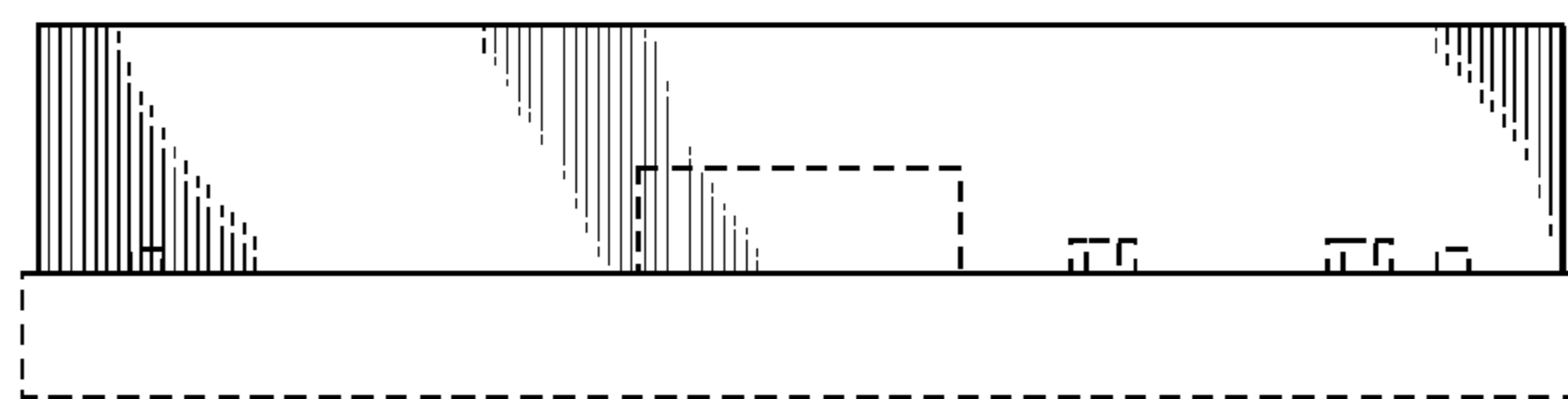


FIG.6

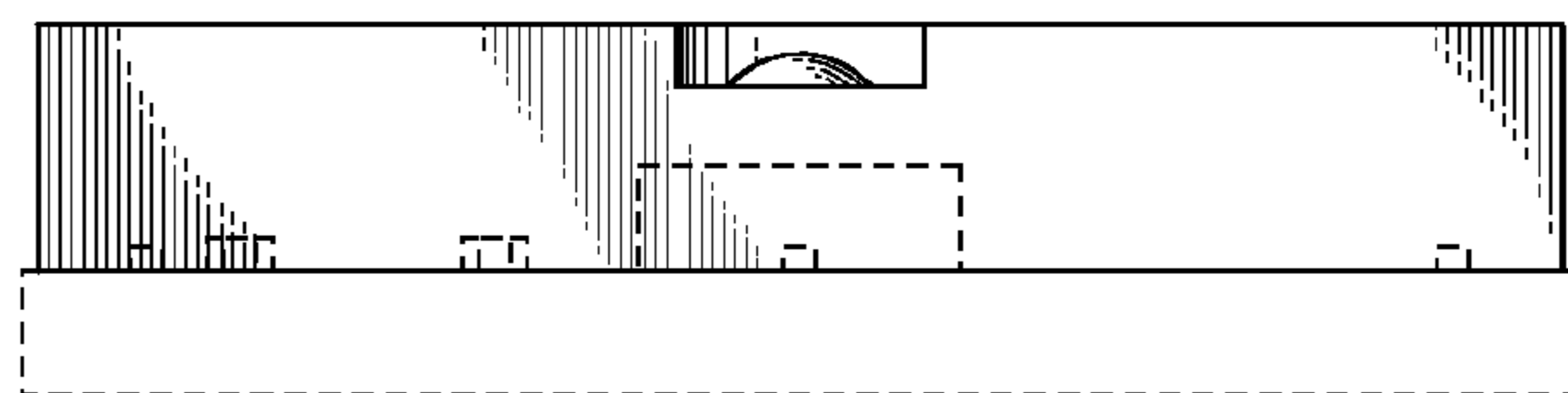


FIG.7

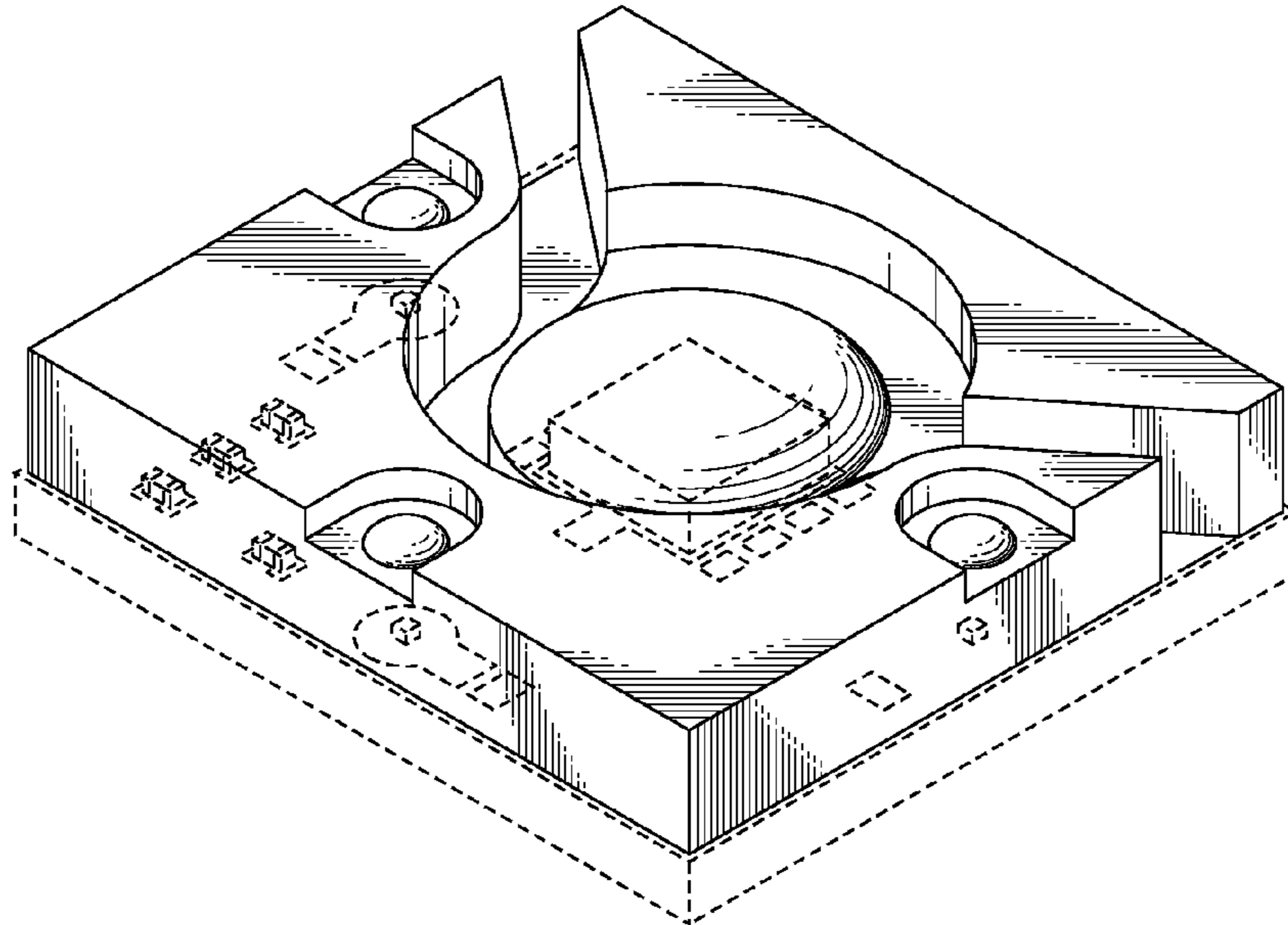


FIG.8

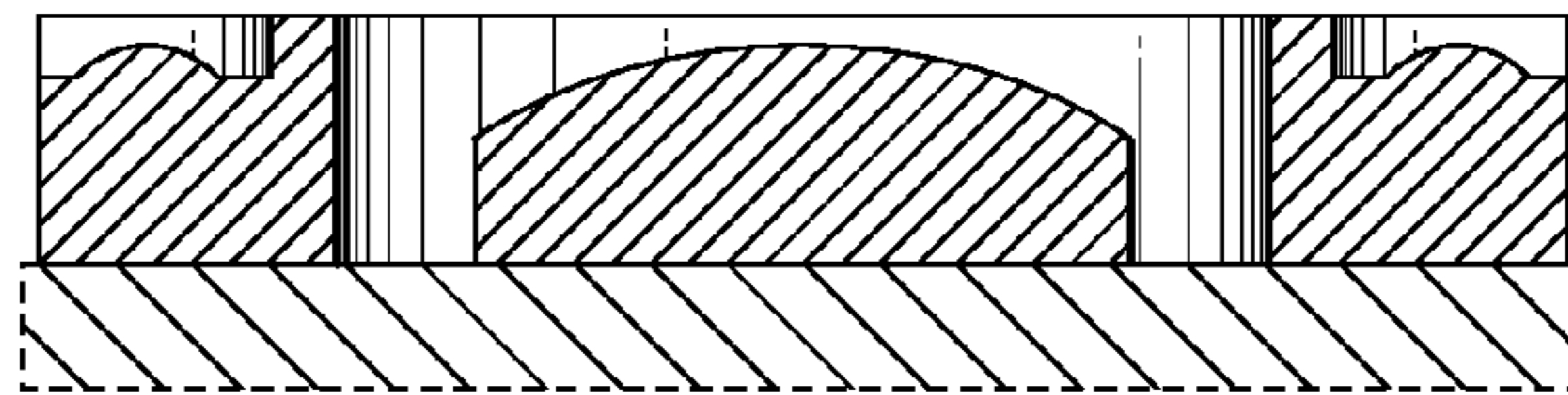


FIG.9

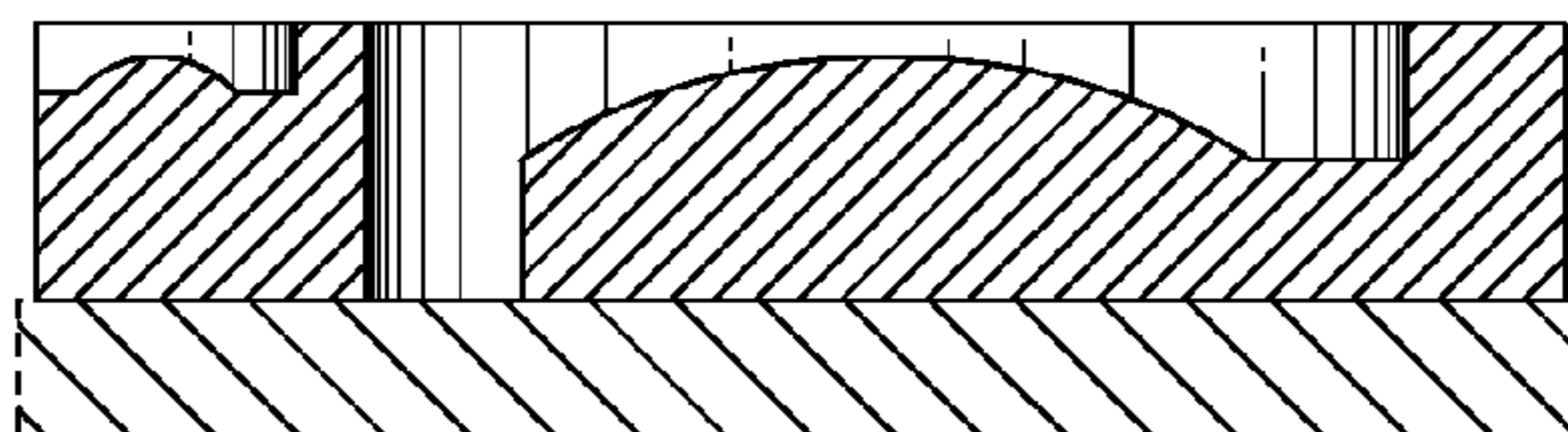


FIG.10

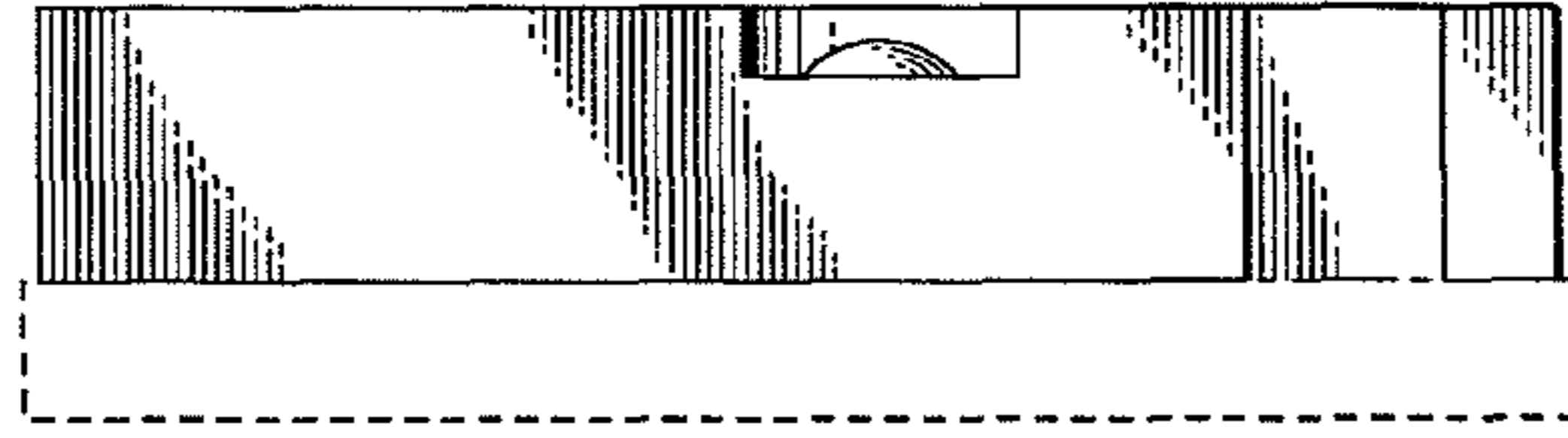


FIG.11

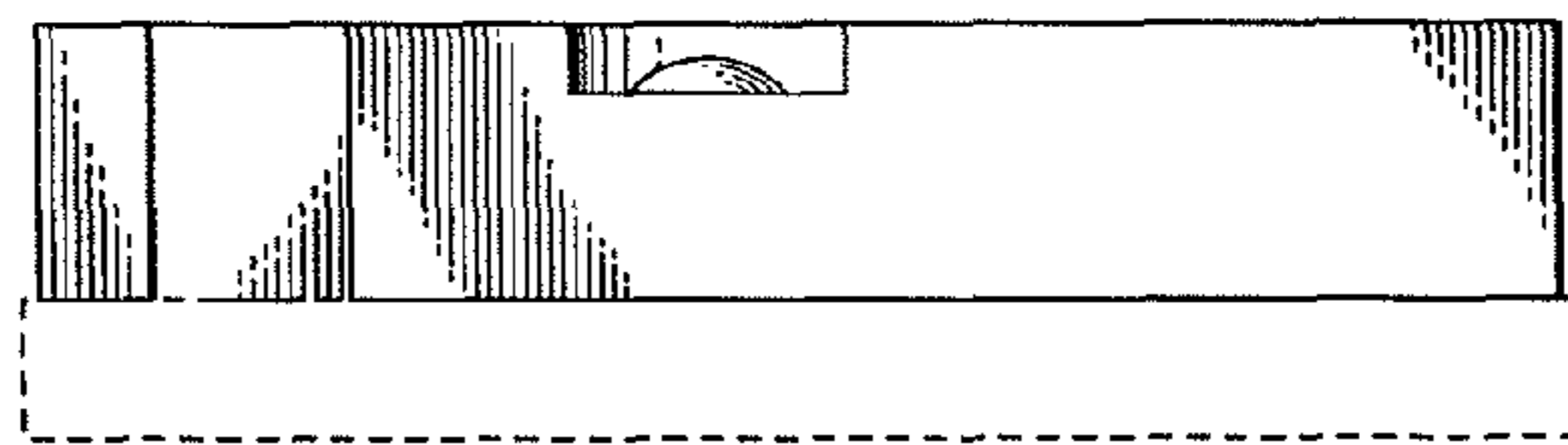


FIG.12

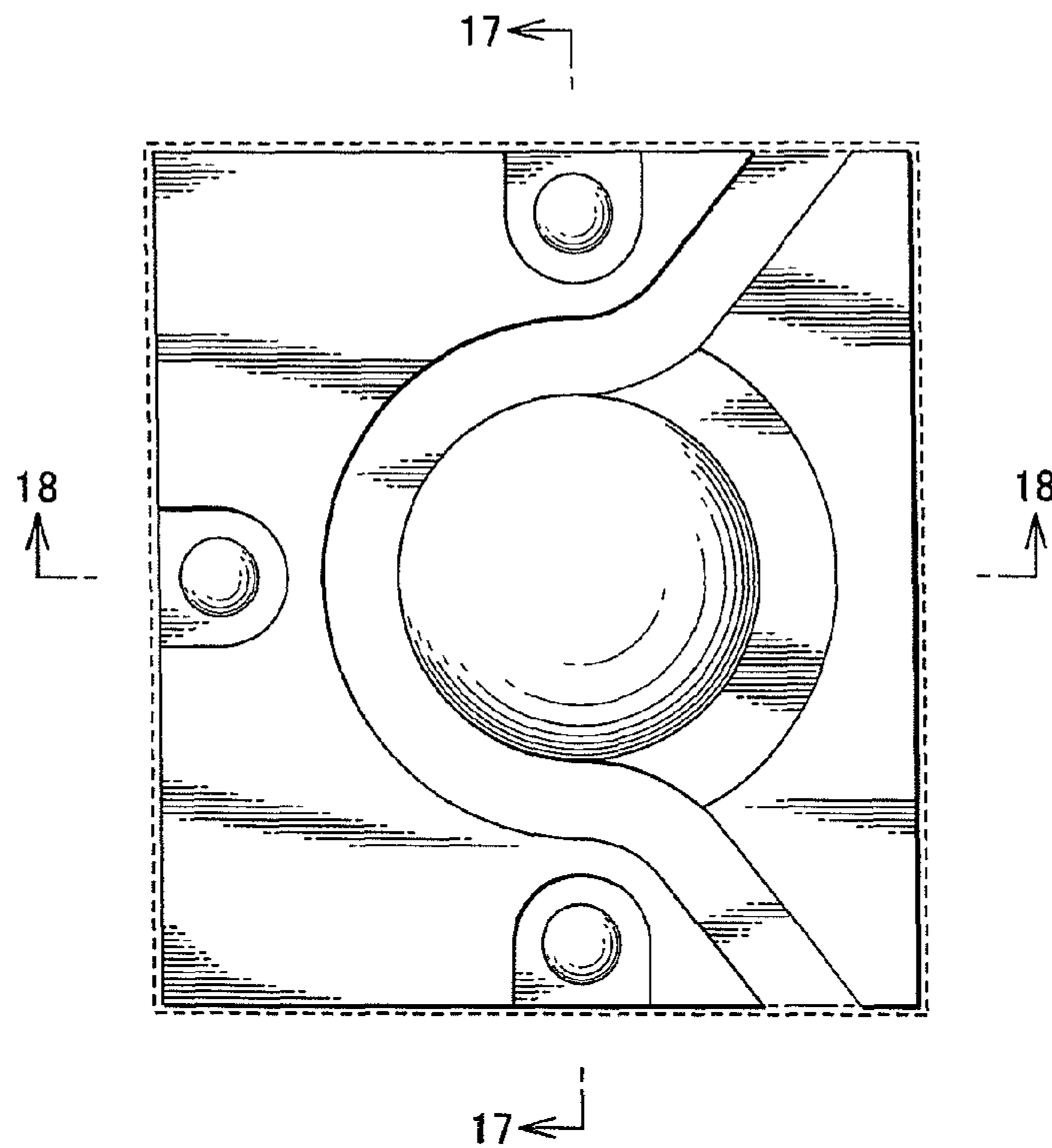


FIG.13

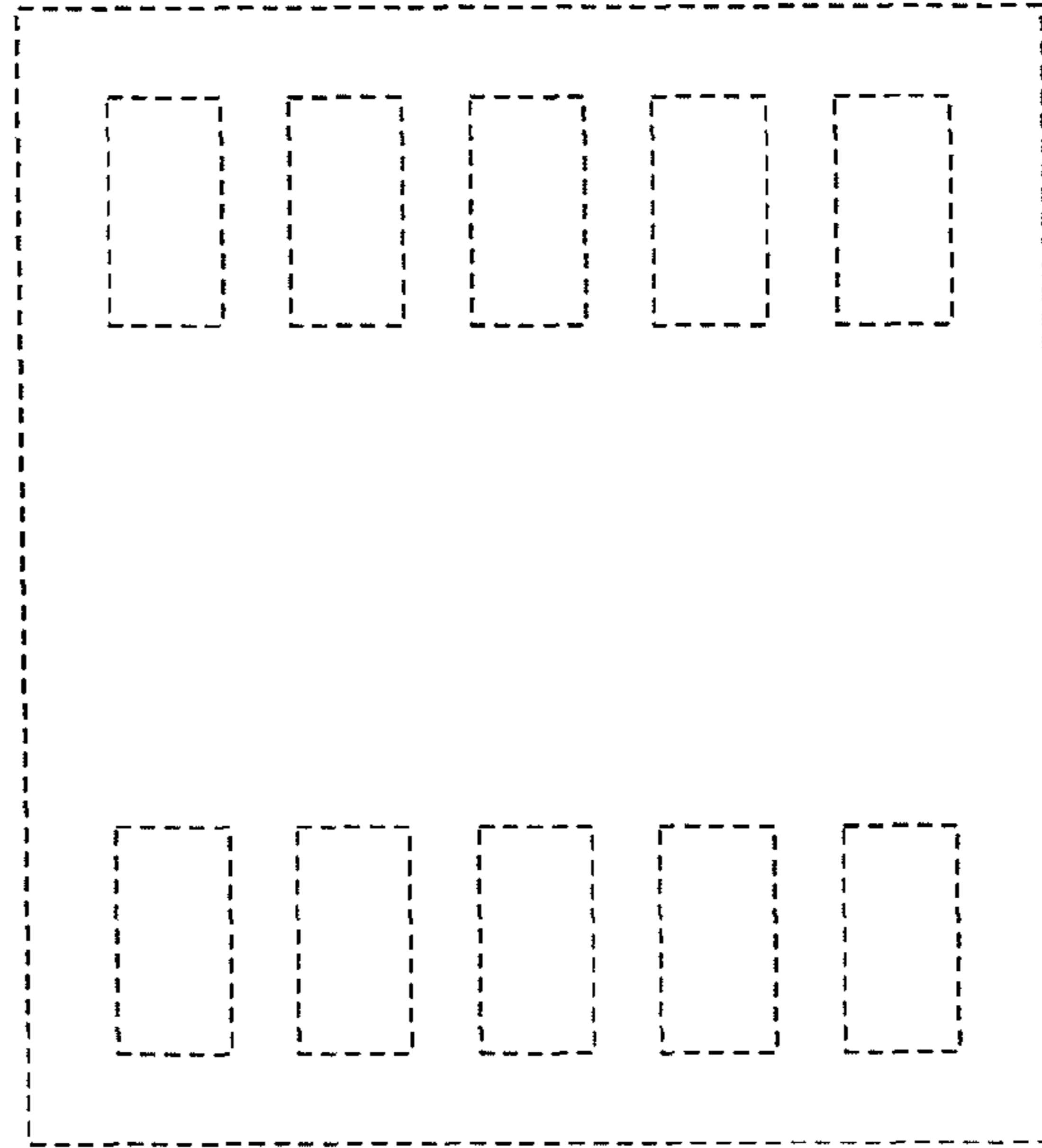


FIG.14

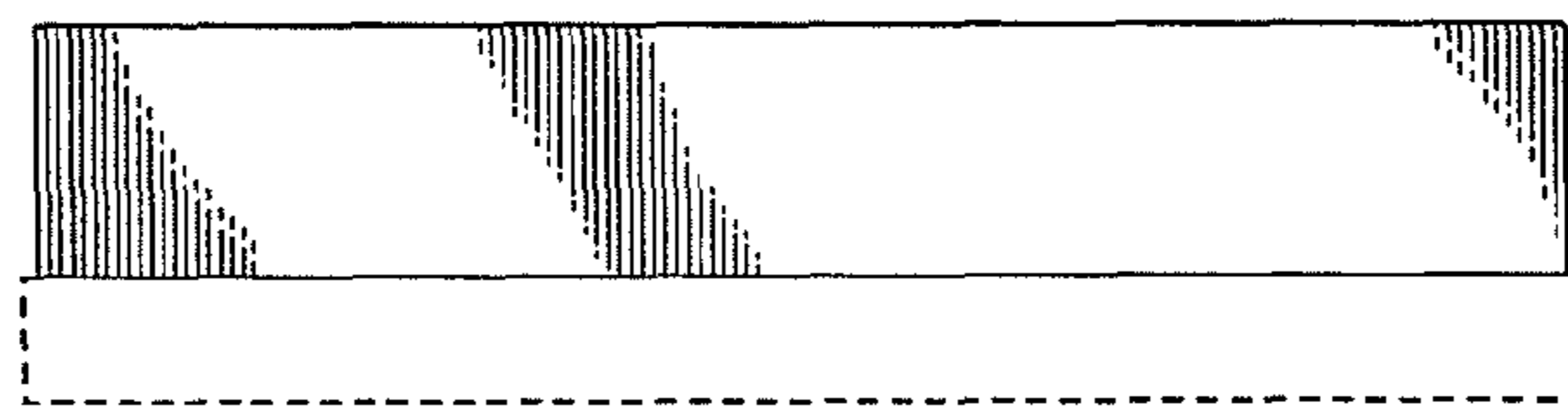


FIG.15

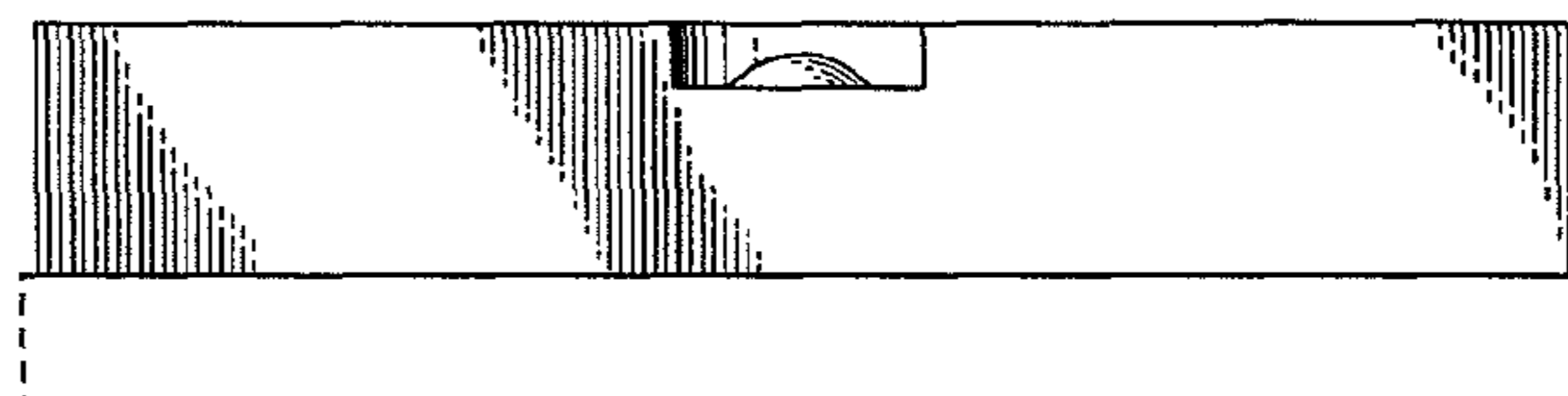


FIG.16

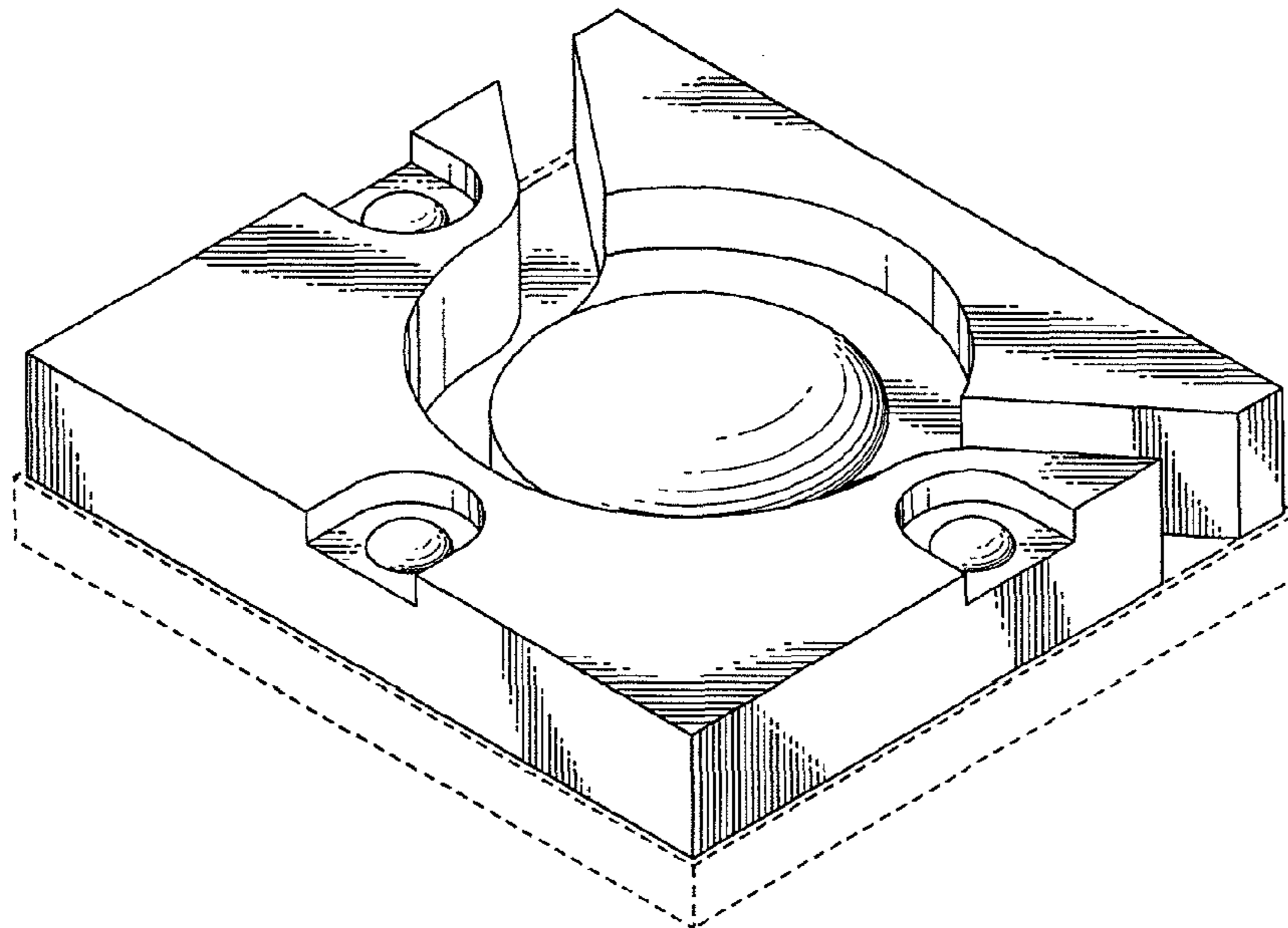


FIG.17

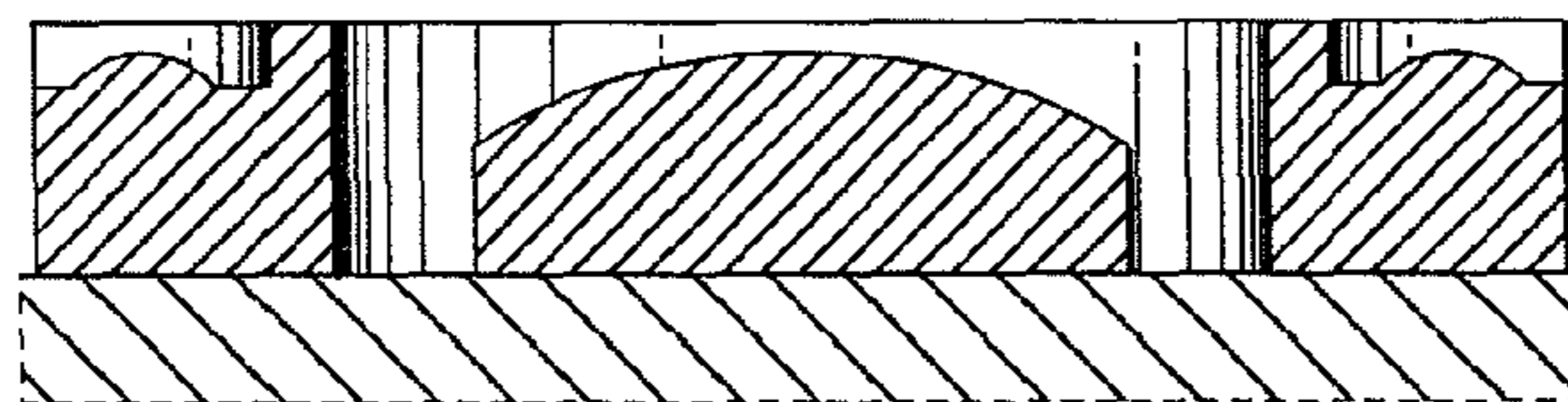


FIG.18

