



US00D683636S

(12) **United States Design Patent**  
**Levanen**

(10) **Patent No.:** **US D683,636 S**  
(45) **Date of Patent:** **\*\* Jun. 4, 2013**

(54) **TRACKING DEVICE**

(76) **Inventor:** **Janne Levanen**, Alta Loma, CA (US)

(\*\*) **Term:** **14 Years**

(21) **Appl. No.:** **29/413,512**

(22) **Filed:** **Feb. 16, 2012**

(51) **LOC (9) Cl.** ..... **10-04**

(52) **U.S. Cl.**  
**USPC** ..... **D10/70**

(58) **Field of Classification Search**  
**USPC** ..... D10/65, 70; 235/105; 377/5, 24.2,  
377/26; 73/514.33, 514.34, 510, 513, 527,  
73/530; 702/155, 160, 176, 78, 79, 82, 91,  
702/92-95, 104, 116, 141, 150, 151, 154,  
702/127, 131, 182, 183, 189; 324/522; 345/165,  
345/156, 905; 600/437, 443, 453, 459, 465,  
600/479, 500, 502, 595, 485, 481, 483  
See application file for complete search history.

(56) **References Cited**

**U.S. PATENT DOCUMENTS**

4,322,609	A *	3/1982	Kato	.....	235/105
D346,125	S *	4/1994	Cote et al.	.....	D10/104.2
D371,958	S *	7/1996	Keaton	.....	D8/374
D375,649	S *	11/1996	Henninger et al.	.....	D7/301
D391,943	S *	3/1998	Han	.....	D14/356
D391,944	S *	3/1998	Han	.....	D14/356

5,792,012	A *	8/1998	Dudley	.....	473/588
6,836,524	B1 *	12/2004	Lee	.....	377/24.2
D526,916	S *	8/2006	Oas	.....	D10/70
D529,404	S *	10/2006	Eden et al.	.....	D10/70
D537,004	S *	2/2007	Eden et al.	.....	D10/70
D596,514	S *	7/2009	Luzar et al.	.....	D10/65
D630,112	S *	1/2011	Maruyama et al.	.....	D10/70
D668,164	S *	10/2012	Cowles et al.	.....	D10/70
2006/0000998	A1 *	1/2006	Liao	.....	251/323
2006/0087440	A1 *	4/2006	Klein	.....	340/573.3

\* cited by examiner

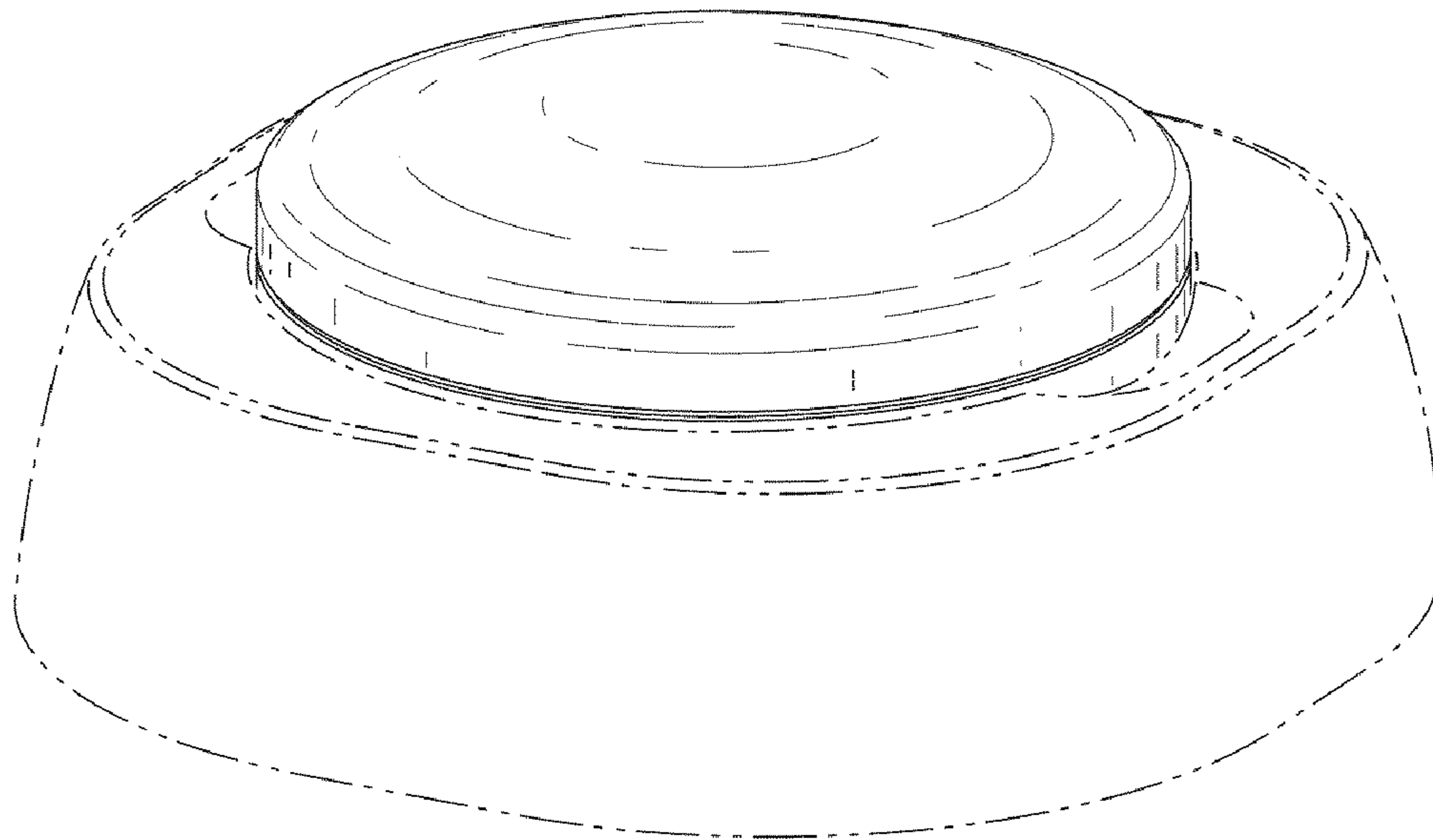
*Primary Examiner* — Antoine D Davis  
(74) *Attorney, Agent, or Firm* — Eric Karich

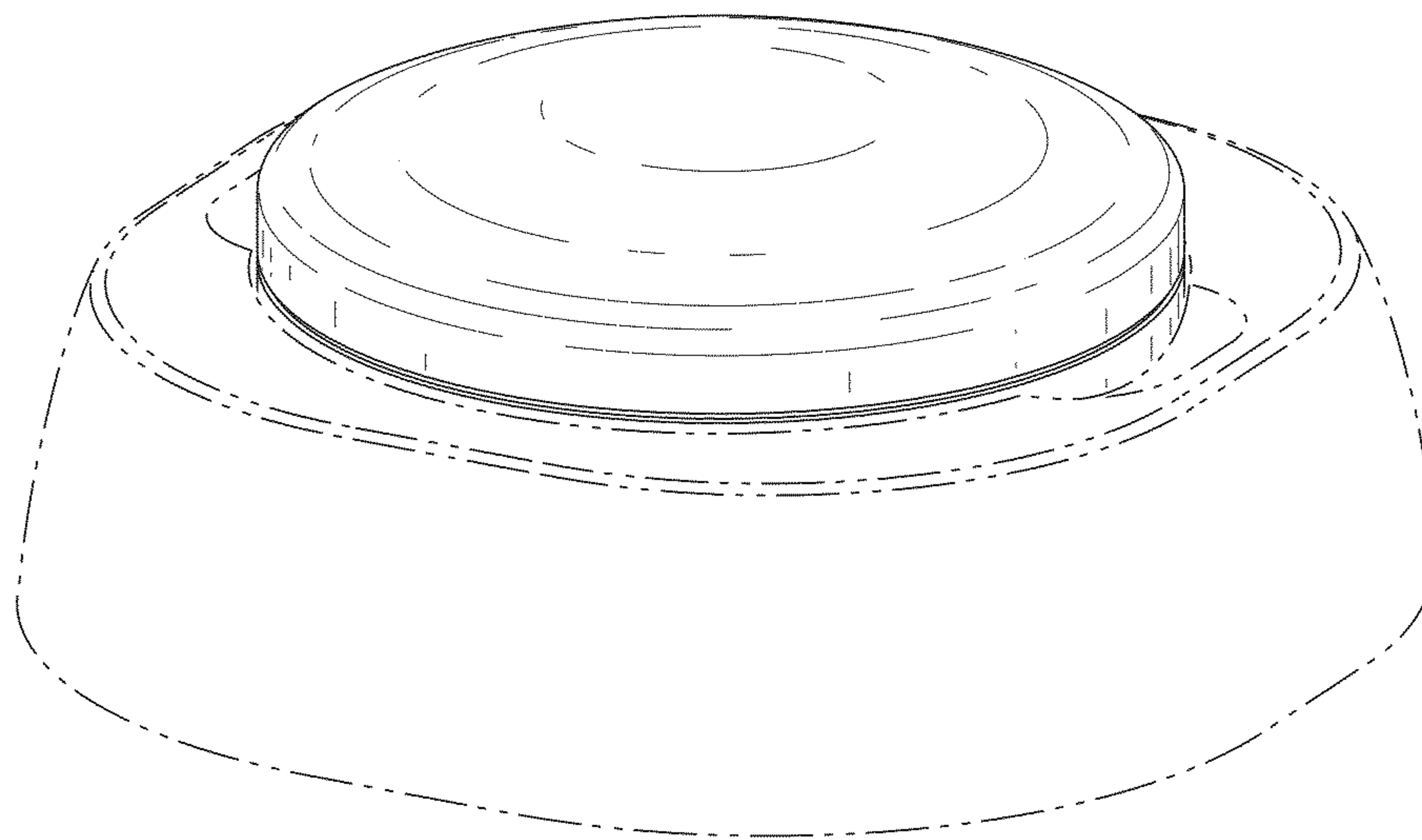
(57) **CLAIM**  
The ornamental design for a “tracking device,” as shown and described.

**DESCRIPTION**

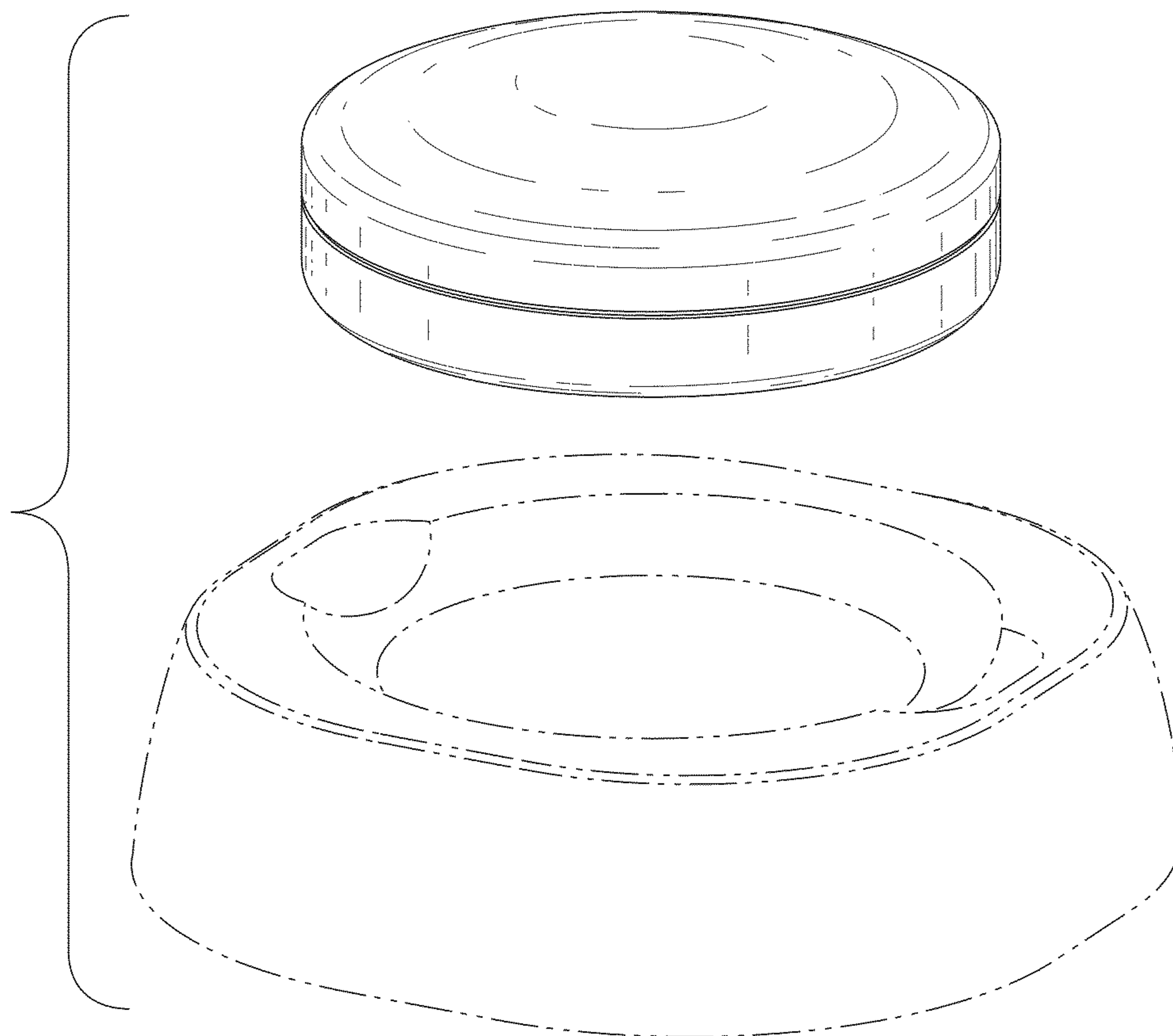
FIG. 1 is a perspective view of a tracking device, showing my new design;  
FIG. 2 is an exploded perspective thereof;  
FIG. 3 is a top plan view thereof;  
FIG. 4 is a bottom plan view thereof;  
FIG. 5 is a left side elevational view thereof;  
FIG. 6 is a right side elevational view thereof;  
FIG. 7 is a front elevational view thereof; and,  
FIG. 8 is a bottom elevational view thereof.  
The broken line showing of a “charging base” the “pads” and the “power button” are for illustrative purposes only and forms no part of the claimed design.

**1 Claim, 2 Drawing Sheets**

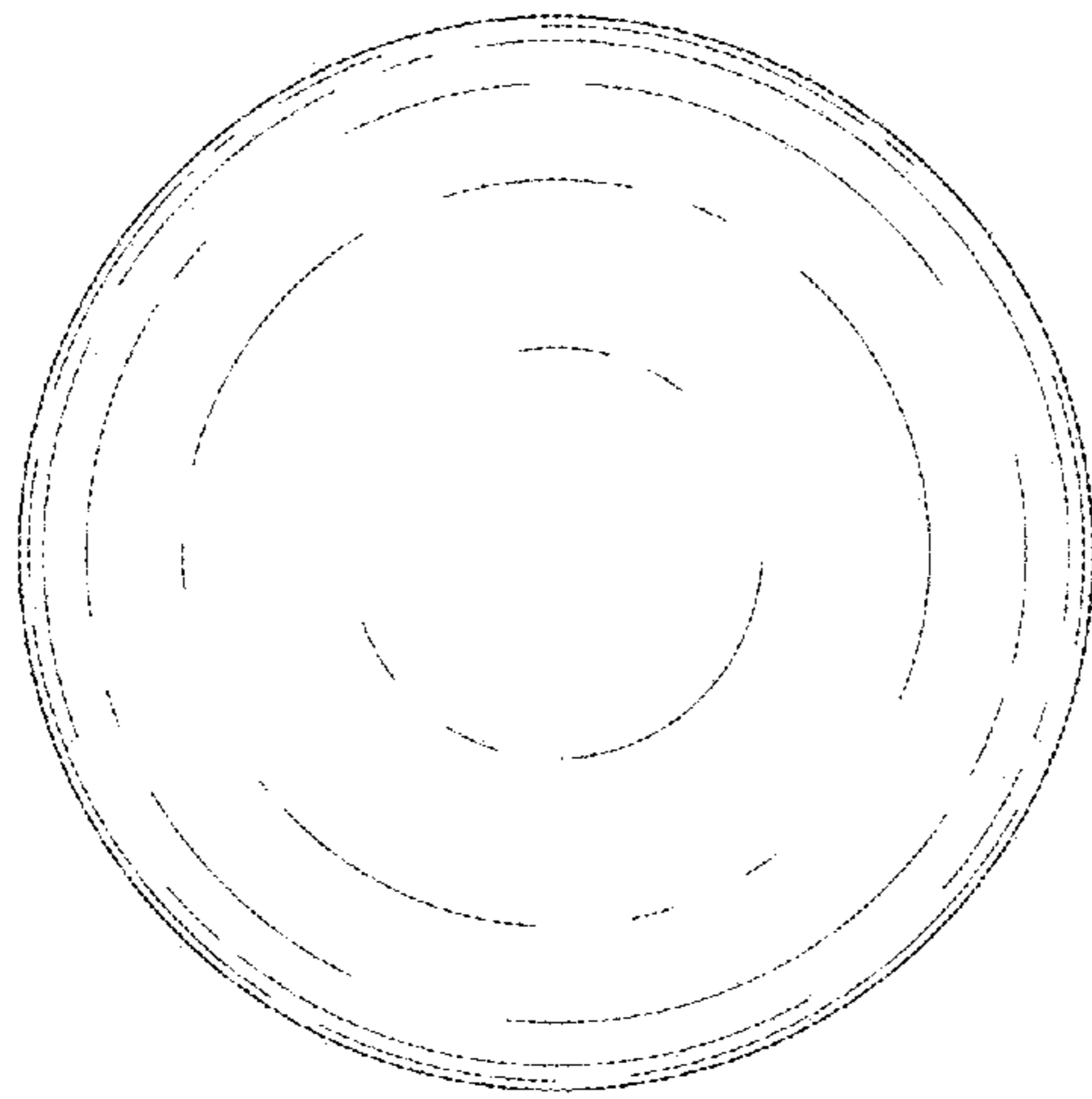




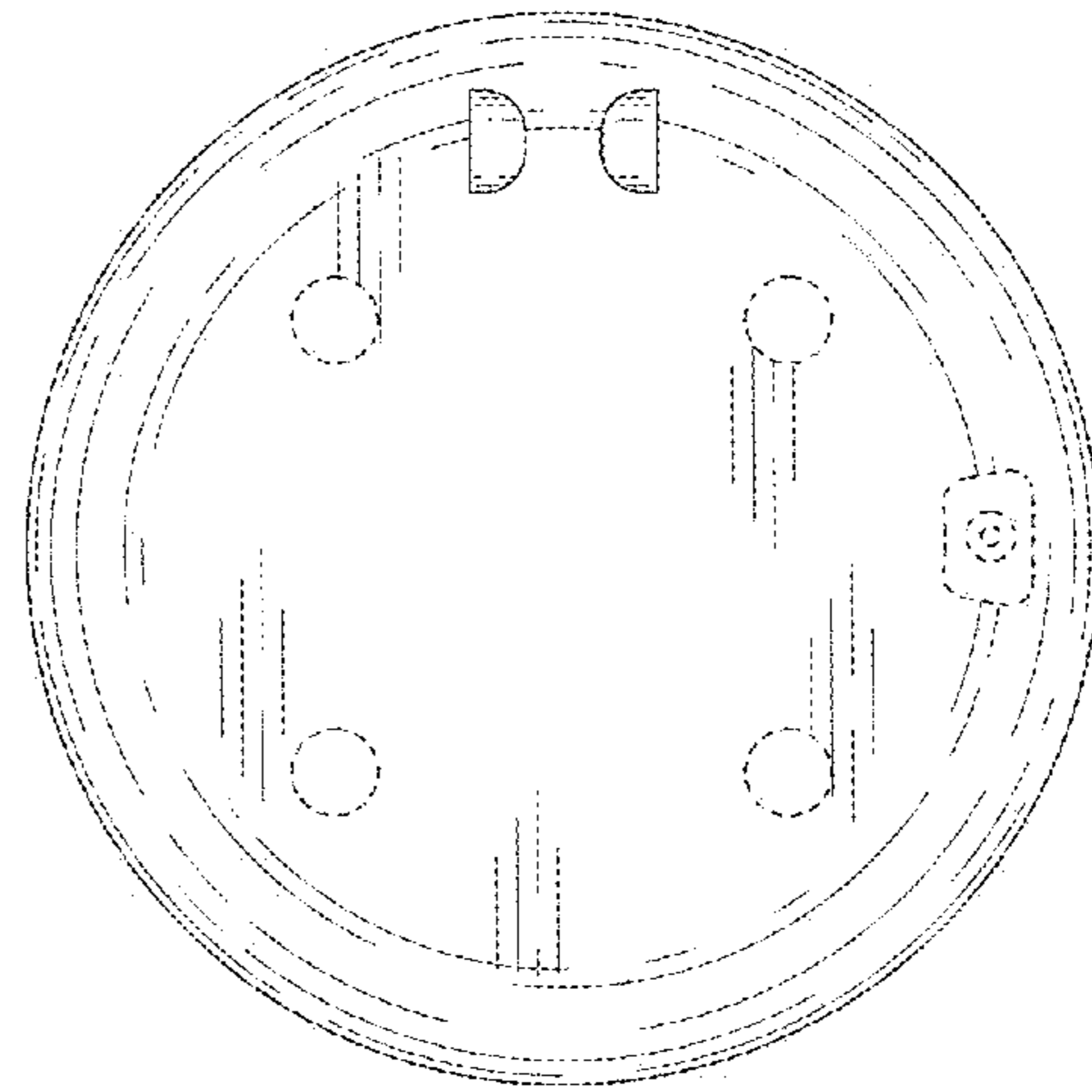
*Fig. 1*



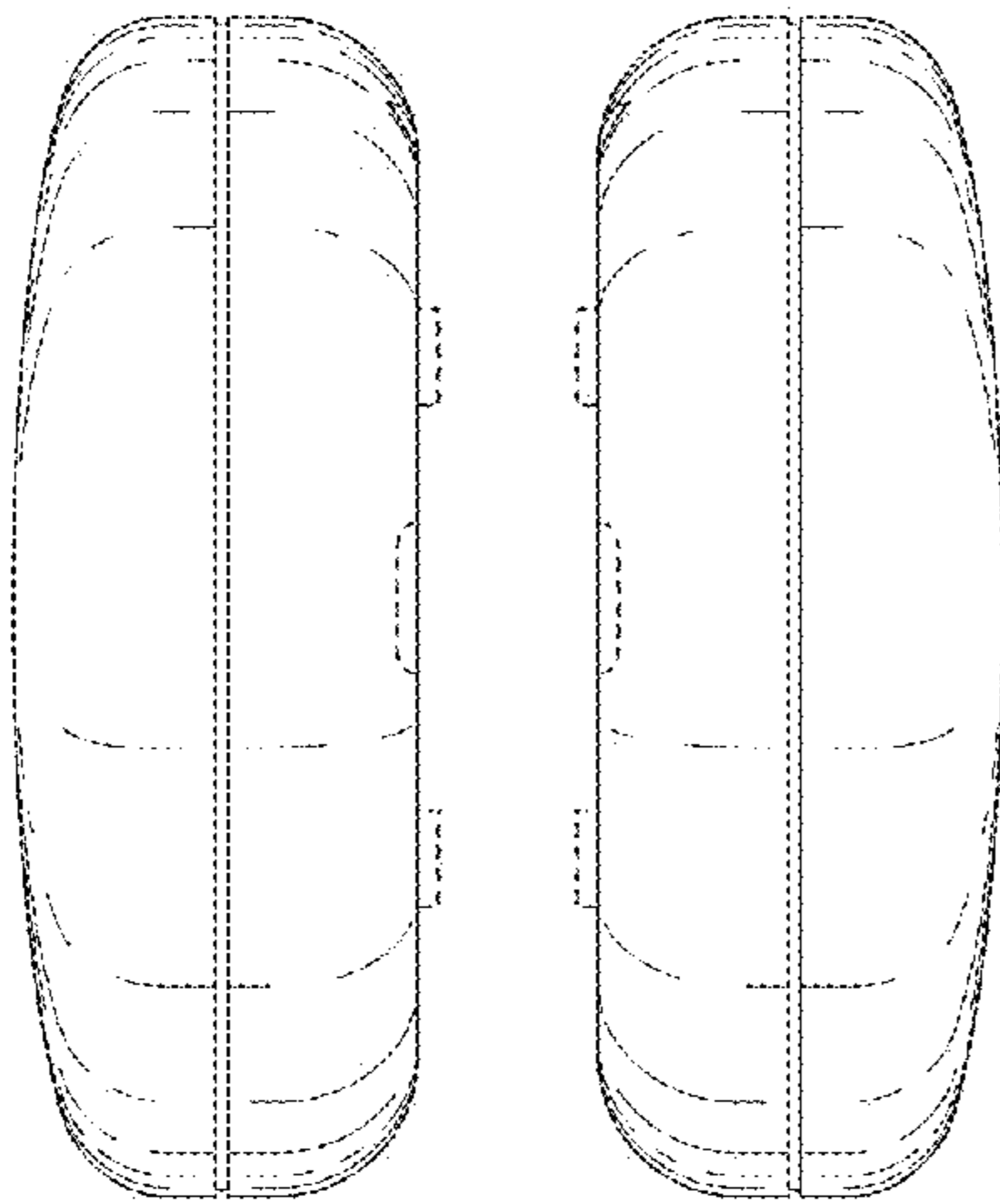
*Fig. 2*



*Fig. 3*

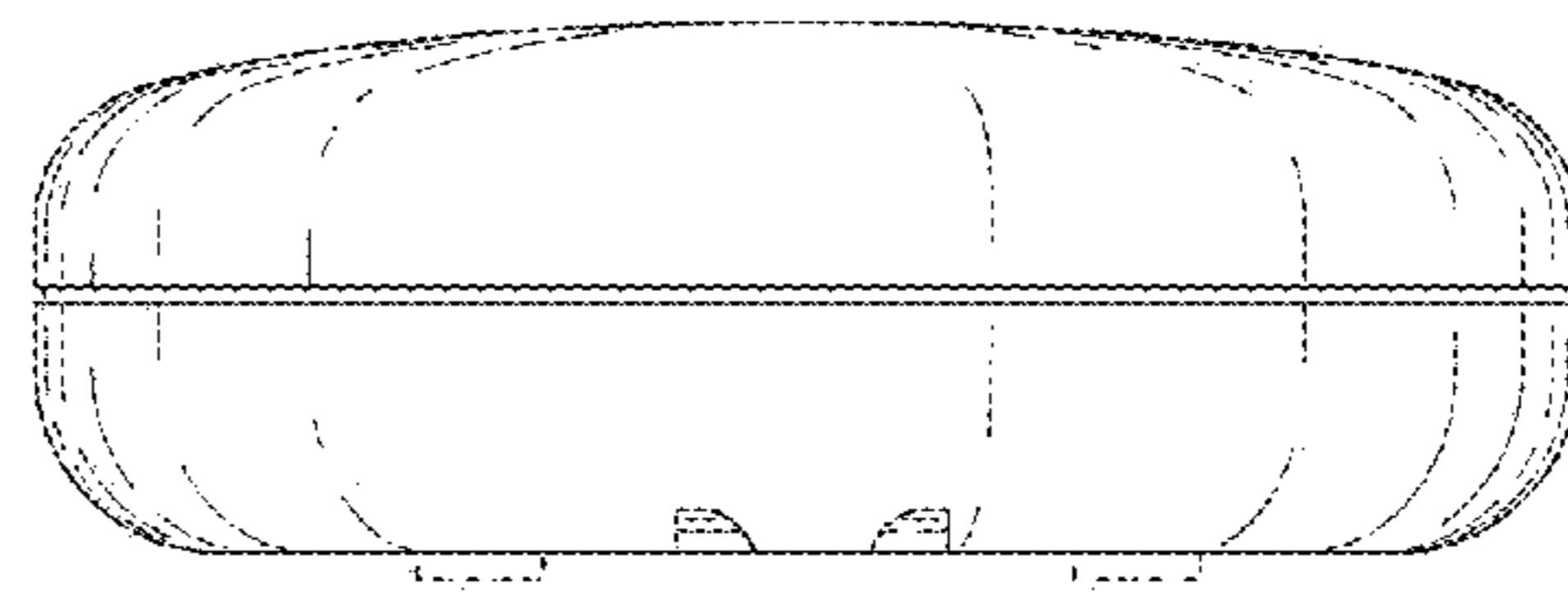


*Fig. 4*

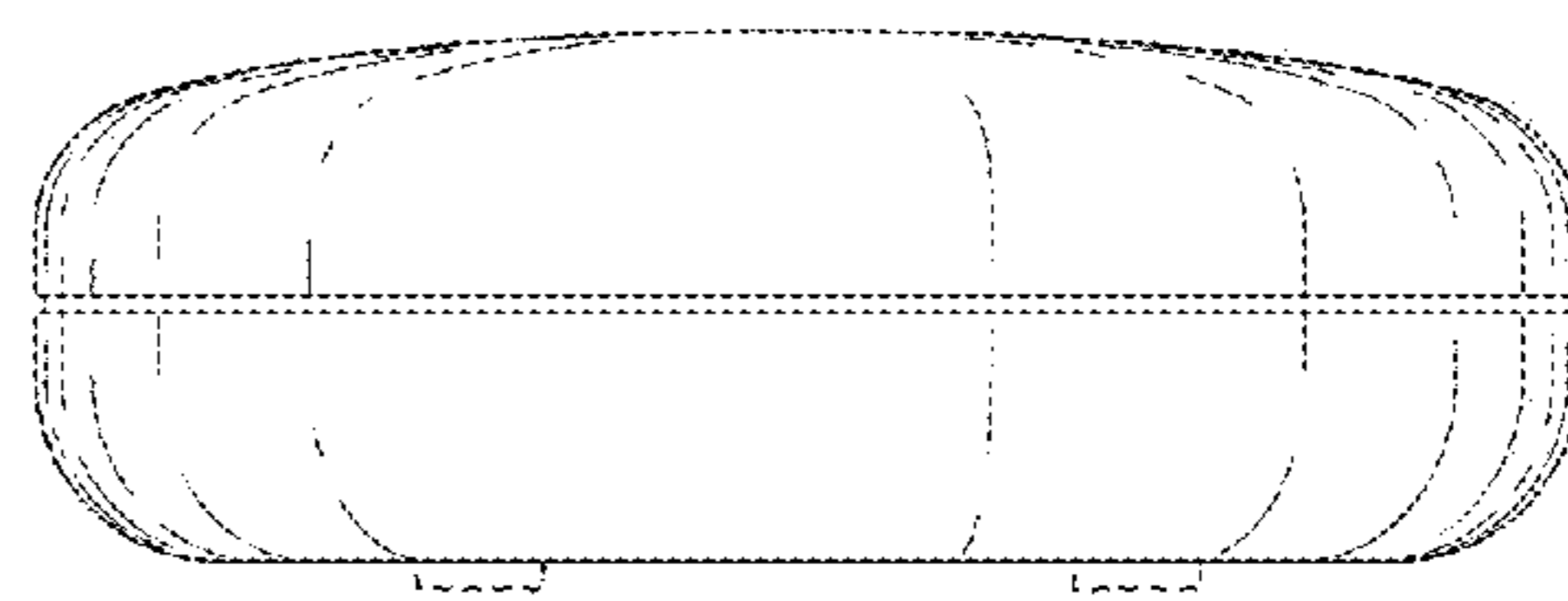


*Fig. 5*

*Fig. 6*



*Fig. 7*



*Fig. 8*