



US00D683635S

(12) **United States Design Patent**
Anderson et al.

(10) **Patent No.:** **US D683,635 S**
(45) **Date of Patent:** **** Jun. 4, 2013**

- (54) **AQUARIUM PRODUCT**
- (71) Applicant: **J. W. Pet Company, Inc.**, Teterboro, NJ (US)
- (72) Inventors: **Norman Anderson**, Brooklyn, NY (US);
Jonathan Willinger, Tenafly, NJ (US);
Ryan Rutherford, Belleville, NJ (US)
- (73) Assignee: **J.W. Pet Company, Inc.**, Teterboro, NJ (US)
- (**) Term: **14 Years**
- (21) Appl. No.: **29/433,984**
- (22) Filed: **Oct. 8, 2012**

4,173,894 A *	11/1979	Gerike	374/194
4,188,745 A	2/1980	Harvey et al.	
D256,563 S *	8/1980	Goldman et al.	D10/58
D258,272 S *	2/1981	Goldman et al.	D10/58
D275,084 S *	8/1984	Goldman et al.	D10/58
4,627,588 A	12/1986	Block	
D312,216 S *	11/1990	Nadzak et al.	D10/57
5,074,516 A *	12/1991	Lewis et al.	374/E1.018
D337,393 S	7/1993	Weldy	
5,390,629 A	2/1995	Simone	
D391,307 S	2/1998	Kuo	
D396,253 S	7/1998	Beecher	
5,901,667 A	5/1999	Kallas	
D423,738 S	4/2000	Carlson	
6,117,054 A	9/2000	Soltanpour	
D439,378 S	3/2001	Loomis	
6,378,463 B1	4/2002	Simmons	
D478,195 S	8/2003	McGinty	
D494,716 S	8/2004	Chang	
D526,688 S	8/2006	Marshall et al.	
D545,510 S	6/2007	Viola	
D552,307 S	10/2007	Renforth et al.	

(Continued)

Related U.S. Application Data

- (60) Continuation of application No. 29/411,408, filed on Jan. 20, 2012, now Pat. No. Des. 672,100, which is a division of application No. 29/378,832, filed on Nov. 10, 2010, now Pat. No. Des. 655,461.
- (51) **LOC (9) Cl.** **10-04**
- (52) **U.S. Cl.**
USPC **D10/58**
- (58) **Field of Classification Search**
USPC D10/57, 58; 374/156, 194, E1.018,
374/E13.001
See application file for complete search history.

Primary Examiner — Antoine D Davis

(74) *Attorney, Agent, or Firm* — Eckert Seamans Cherin & Mellott, LLC

(57) **CLAIM**

The ornamental design for an aquarium product, as shown and described.

DESCRIPTION

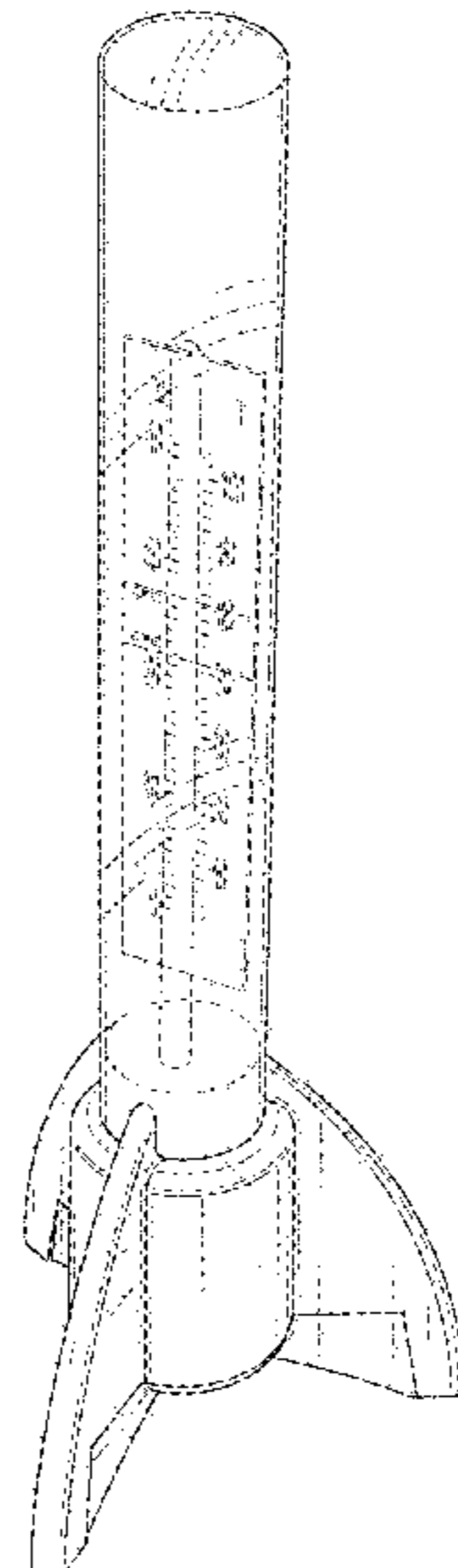
FIG. 1 is a perspective view of the aquarium product;
 FIG. 2 is a front view thereof;
 FIG. 3 is a rear view thereof;
 FIG. 4 is a left-side view thereof;
 FIG. 5 is a right-side view thereof;
 FIG. 6 is a top view thereof; and,
 FIG. 7 is a bottom view thereof.
 The portions of the design that are shown in broken lines do not form part of the claimed design.

1 Claim, 6 Drawing Sheets

(56) **References Cited**

U.S. PATENT DOCUMENTS

2,004,627 A *	6/1935	Hoeflich	374/194
2,100,613 A *	11/1937	Rowntree	374/194
D120,558 S	5/1940	Sochurek	
D153,272 S	4/1949	Forner	
D233,770 S	11/1974	Clark et al.	
3,876,080 A	4/1975	Hultberg et al.	
D239,673 S	4/1976	Ziegler	



US D683,635 S

Page 2

U.S. PATENT DOCUMENTS

D553,807 S	10/2007	Rutherford	D635,309 S	3/2011	Axelrod et al.
D553,808 S	10/2007	Axelrod	D643,586 S	8/2011	Freije
D554,298 S	10/2007	Woltmann et al.	D648,906 S	11/2011	Byrne
D554,299 S	10/2007	Ragonetti et al.	8,087,387 B2	1/2012	Gamble et al.
D559,475 S	1/2008	Bonner	2001/0029904 A1	10/2001	Viola
D610,656 S	2/2010	Terrell	2007/0261644 A1	11/2007	Simon
D627,934 S	11/2010	Willinger et al.	2009/0025649 A1	1/2009	Gamble et al.
D634,081 S	3/2011	Rutherford	2009/0050073 A1	2/2009	Simon

* cited by examiner

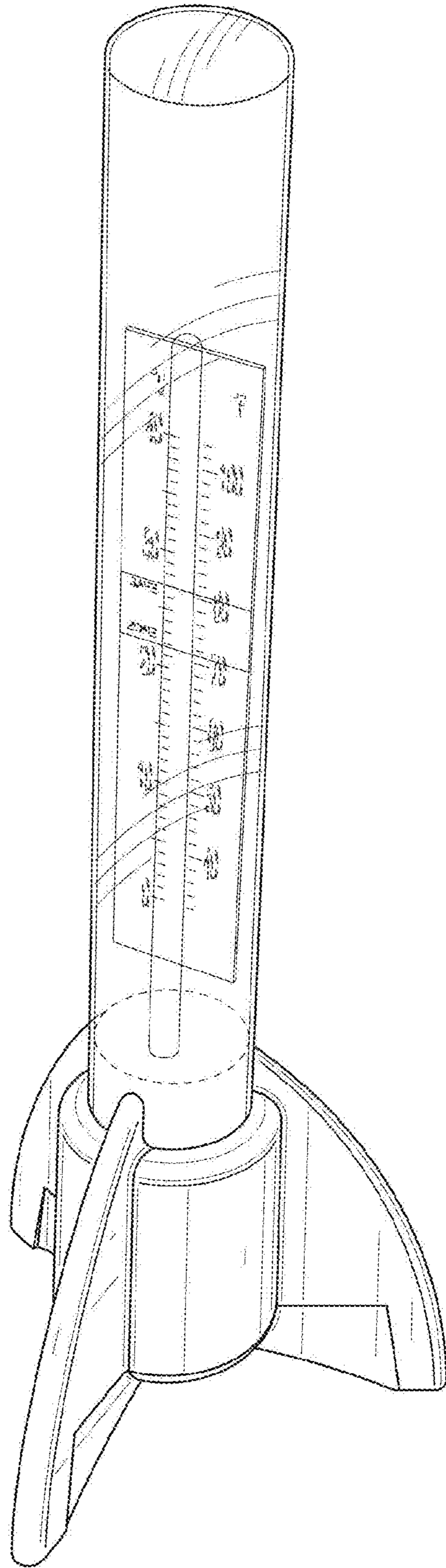


FIG. 1

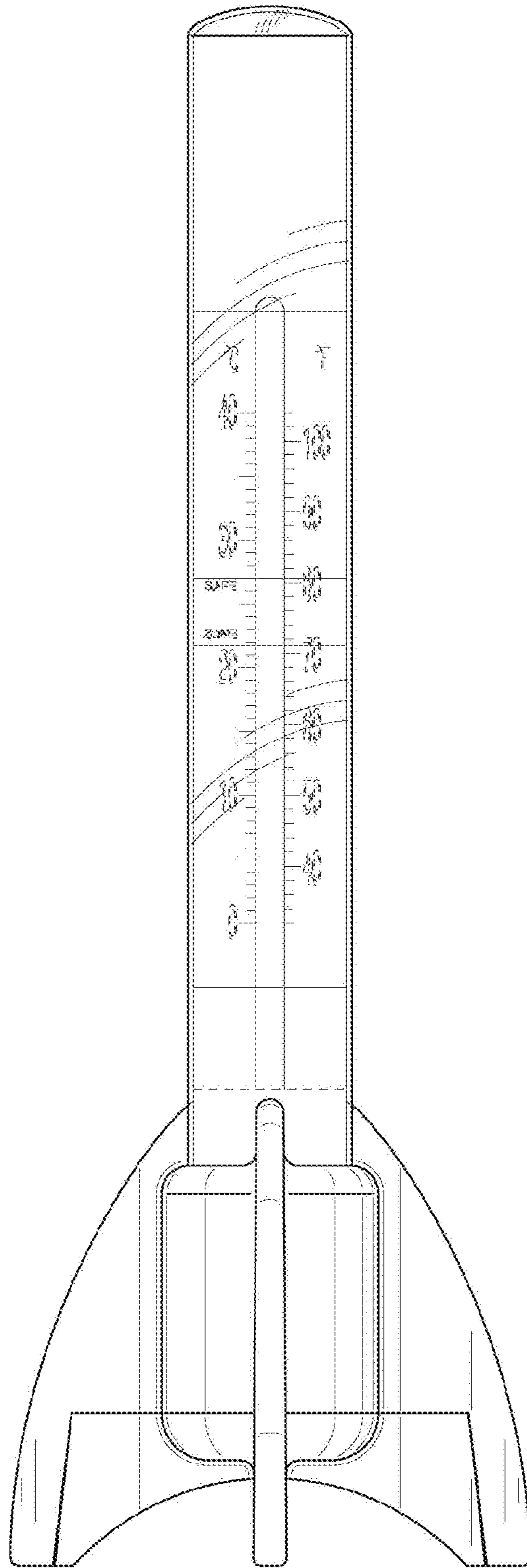


FIG. 2

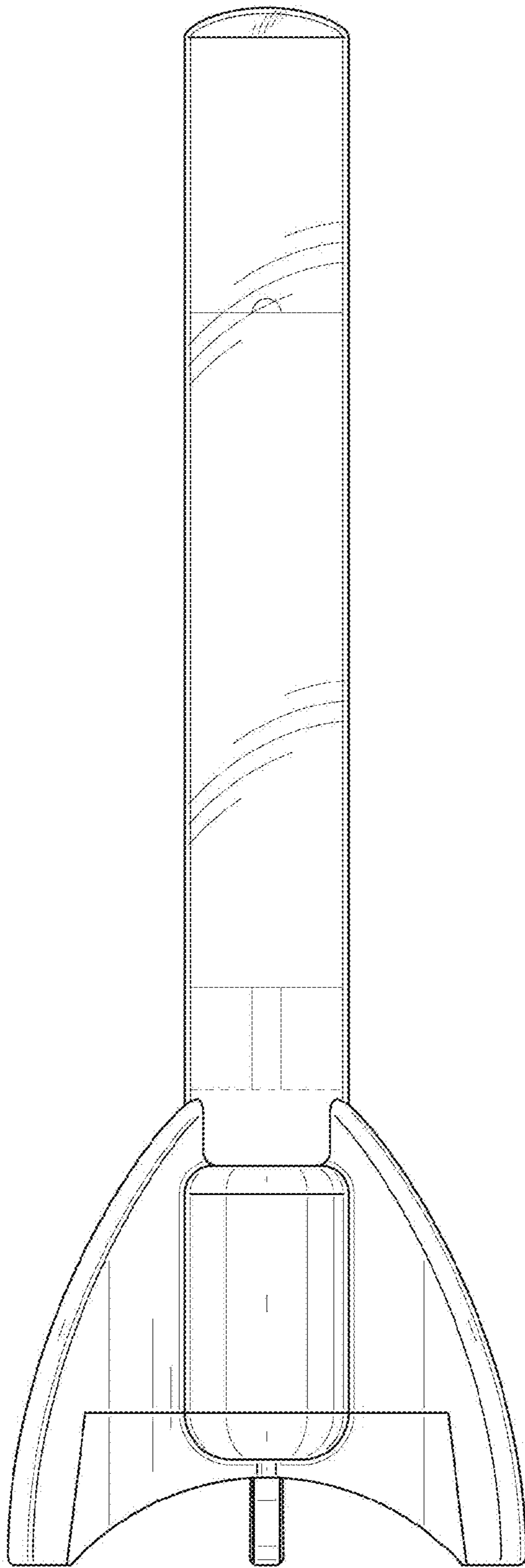


FIG. 3

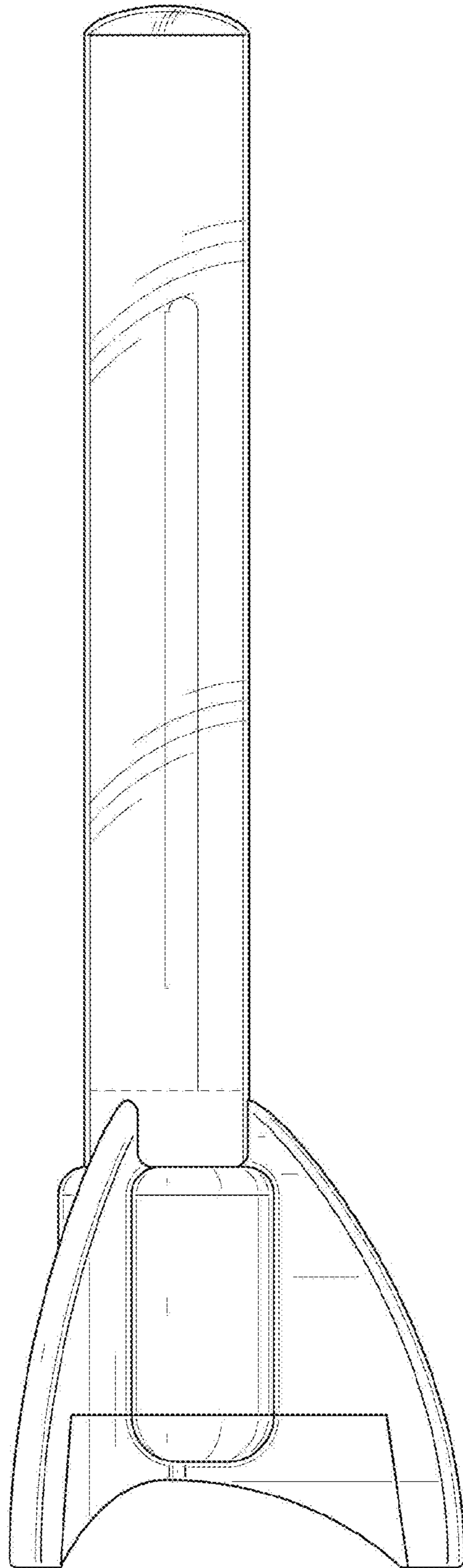


FIG. 4

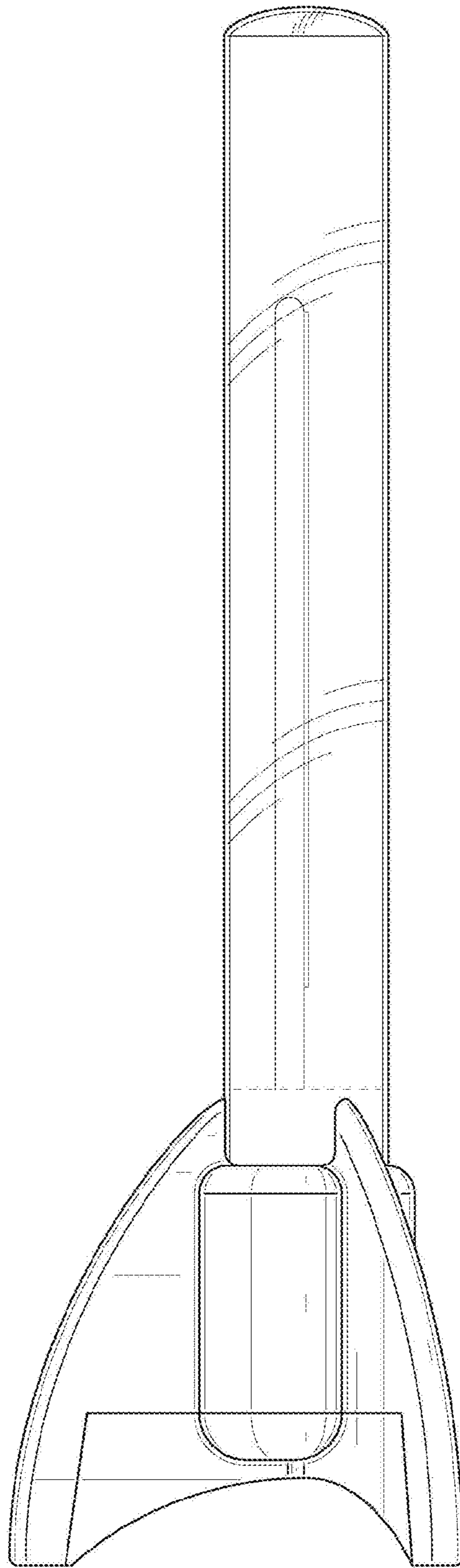


FIG. 5

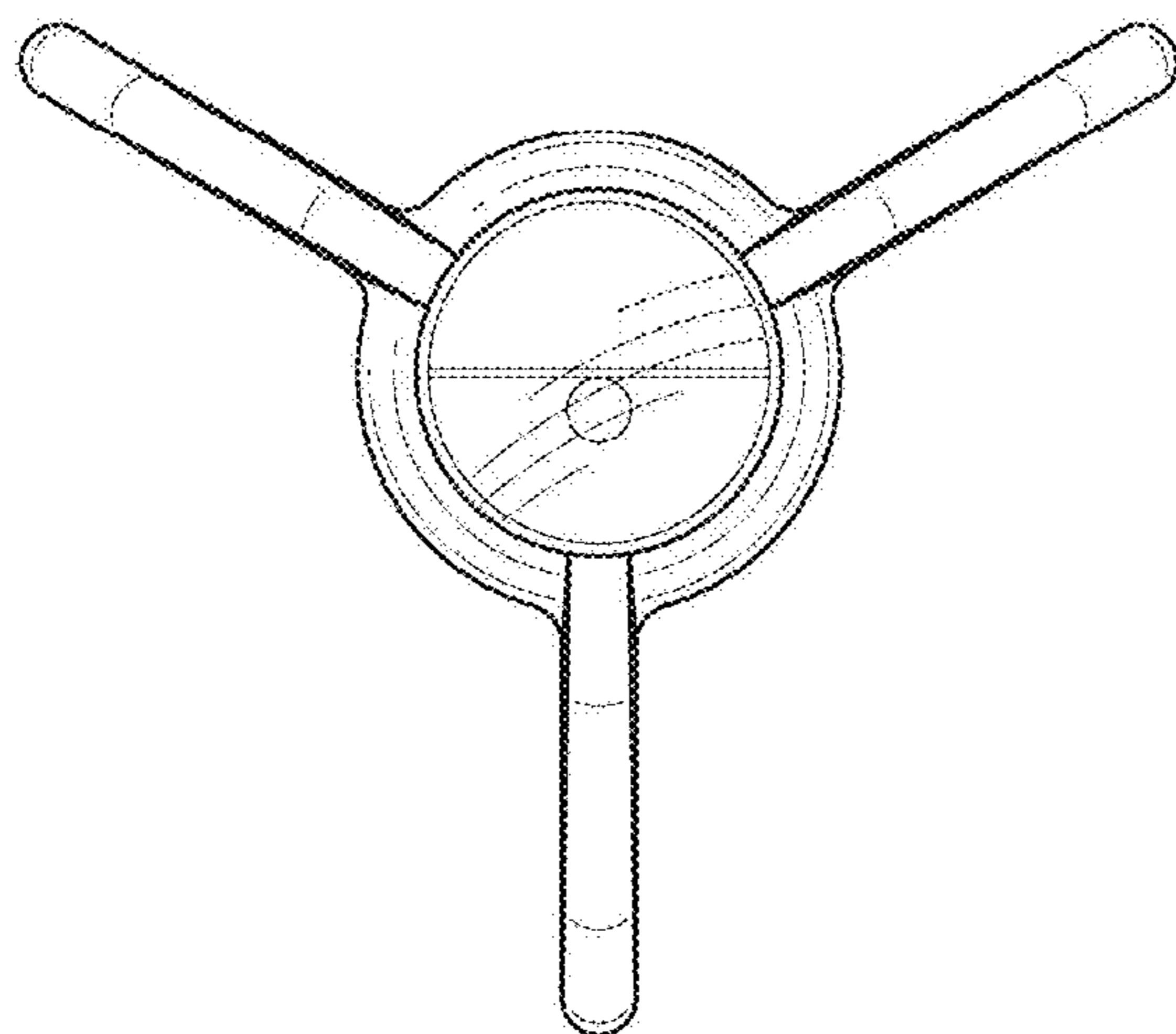


FIG. 6

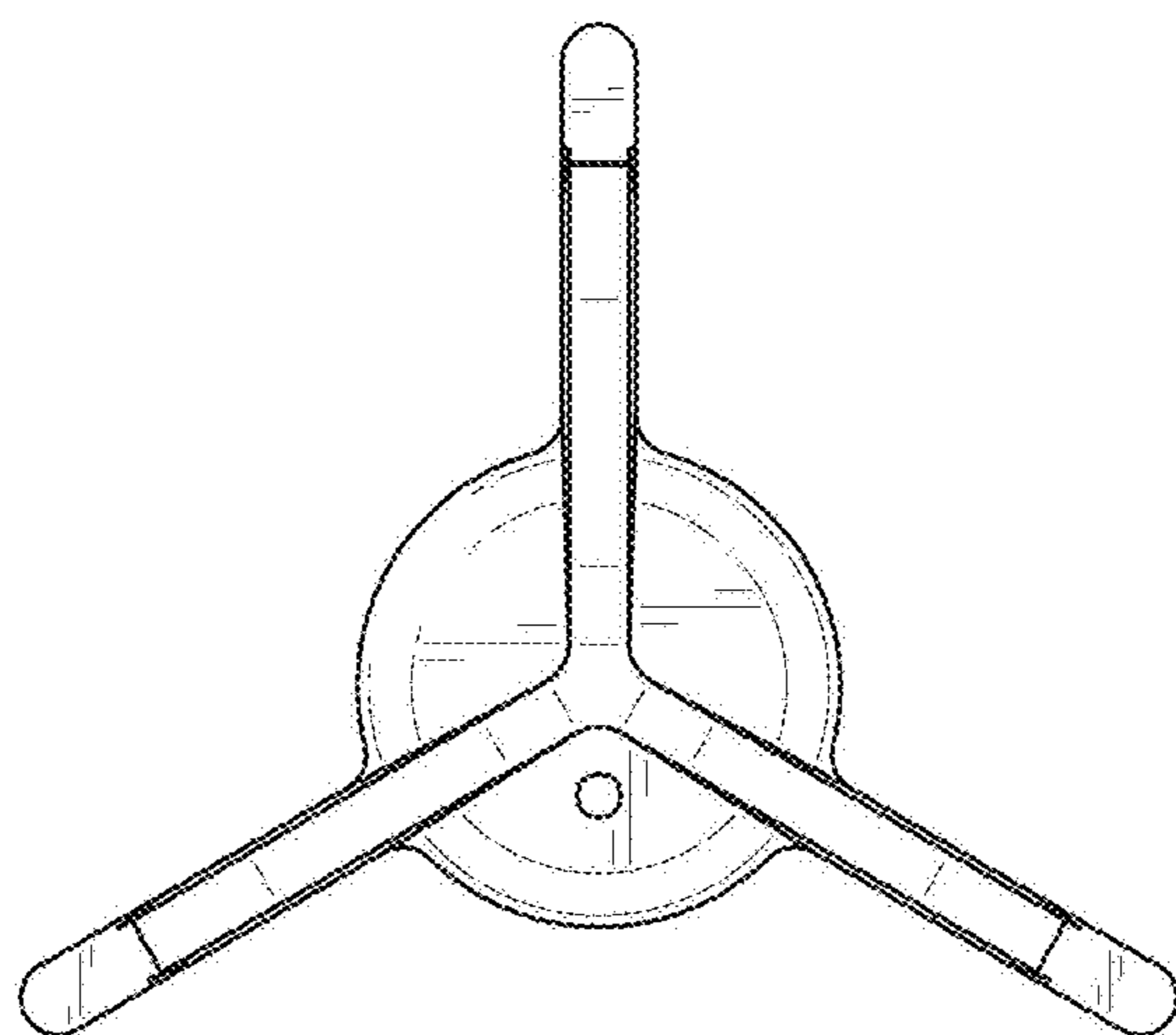


FIG. 7