



US00D683633S

(12) **United States Design Patent**
Florian et al.

(10) **Patent No.:** **US D683,633 S**
(45) **Date of Patent:** **** Jun. 4, 2013**

(54) **WATCH**

(71) Applicant: **Manufacture et Fabrique de Montres et Chronometres Ulysse Nardin le Locle SA, Le Cocle (CH)**

(72) Inventors: **Christophe Florian, La Chaux-de-Fonds (CH); Pierre Berberat, La Chaux-de-Fonds (CH)**

(73) Assignee: **Manufacture et Fabrique de montres et chronometres Ulysse Nardin le Locle SA, Le Locle (CH)**

(**) Term: **14 Years**

(21) Appl. No.: **29/436,284**

(22) Filed: **Nov. 2, 2012**

(30) **Foreign Application Priority Data**

Jul. 19, 2012 (WO) DM/078 812

(51) **LOC (9) Cl.** **10-02**

(52) **U.S. Cl.**
USPC **D10/39**

(58) **Field of Classification Search**
USPC D10/30-39, 122-132; 368/276, 281, 368/282, 223, 228, 232
See application file for complete search history.

(56) **References Cited**

U.S. PATENT DOCUMENTS

3,740,944	A *	6/1973	Chopard	368/281
6,826,122	B2 *	11/2004	Zaugg	368/28
D505,342	S *	5/2005	Hayek	D10/39
D508,653	S *	8/2005	Roden	D10/32
D530,628	S *	10/2006	Raffy	D10/32
D559,131	S *	1/2008	Laucella	D10/39
D568,180	S *	5/2008	Laucella	D10/39
D569,276	S *	5/2008	Scheufele	D10/39

D570,230	S *	6/2008	Monachon	D10/32
D578,901	S *	10/2008	Laucella	D10/38
D579,793	S *	11/2008	Hayek	D10/39
D590,727	S *	4/2009	Wei	D10/38
D599,243	S *	9/2009	Eilinger	D10/126
D606,890	S *	12/2009	Bulgari	D10/39
D624,443	S *	9/2010	Cerrato	D10/38
D632,979	S *	2/2011	Chastaingt	D10/38
D642,084	S *	7/2011	Garcia	D10/124

(Continued)

OTHER PUBLICATIONS

Timepiece1, source: International Watch Museum located at La Chaux de Fonds (Switzerland) dated 1850.

(Continued)

Primary Examiner — Lucy Lieberman

(74) *Attorney, Agent, or Firm* — Young & Thompson

(57) **CLAIM**

The ornamental design for a watch, as shown and described.

DESCRIPTION

FIG. 1 is a front, left side, and bottom perspective view of a watch showing the new design;
FIG. 2 is a an alternate front, left side, and bottom perspective view thereof;
FIG. 3 is a rear, left side, and top perspective view thereof;
FIG. 4 is a front, right side, and bottom perspective view thereof;
FIG. 5 is a rear, right side, and top perspective view thereof;
FIG. 6 is a front elevation view thereof;
FIG. 7 is a rear elevation view thereof;
FIG. 8 is a left side elevation view thereof;
FIG. 9 is a right side elevation view thereof; and,
FIG. 10 is a top view thereof.
The portions of the design shown in broken lines show unclaimed subject matter.

1 Claim, 4 Drawing Sheets



US D683,633 S

Page 2

U.S. PATENT DOCUMENTS

D645,766 S * 9/2011 Bertucci D10/38
D648,230 S * 11/2011 Inoue D10/39
D649,481 S * 11/2011 Crocco D10/39
D651,099 S * 12/2011 Ruffieux D10/38
D658,516 S * 5/2012 Mille D10/39
D669,372 S * 10/2012 Laucella D10/39
D671,429 S * 11/2012 Parmigiani D10/38

OTHER PUBLICATIONS

Timepiece2, source: text written by Chapuis Albert (in collab with Cottier, Freddy Baud and P.A Muller, Edmond Droz) "Histoire de la boîte à musique et de la musique mécanique", Edit. Journal Suisse d'horlogerie et de bijouterie : Scriptar , 1955.

* cited by examiner

Fig. 1

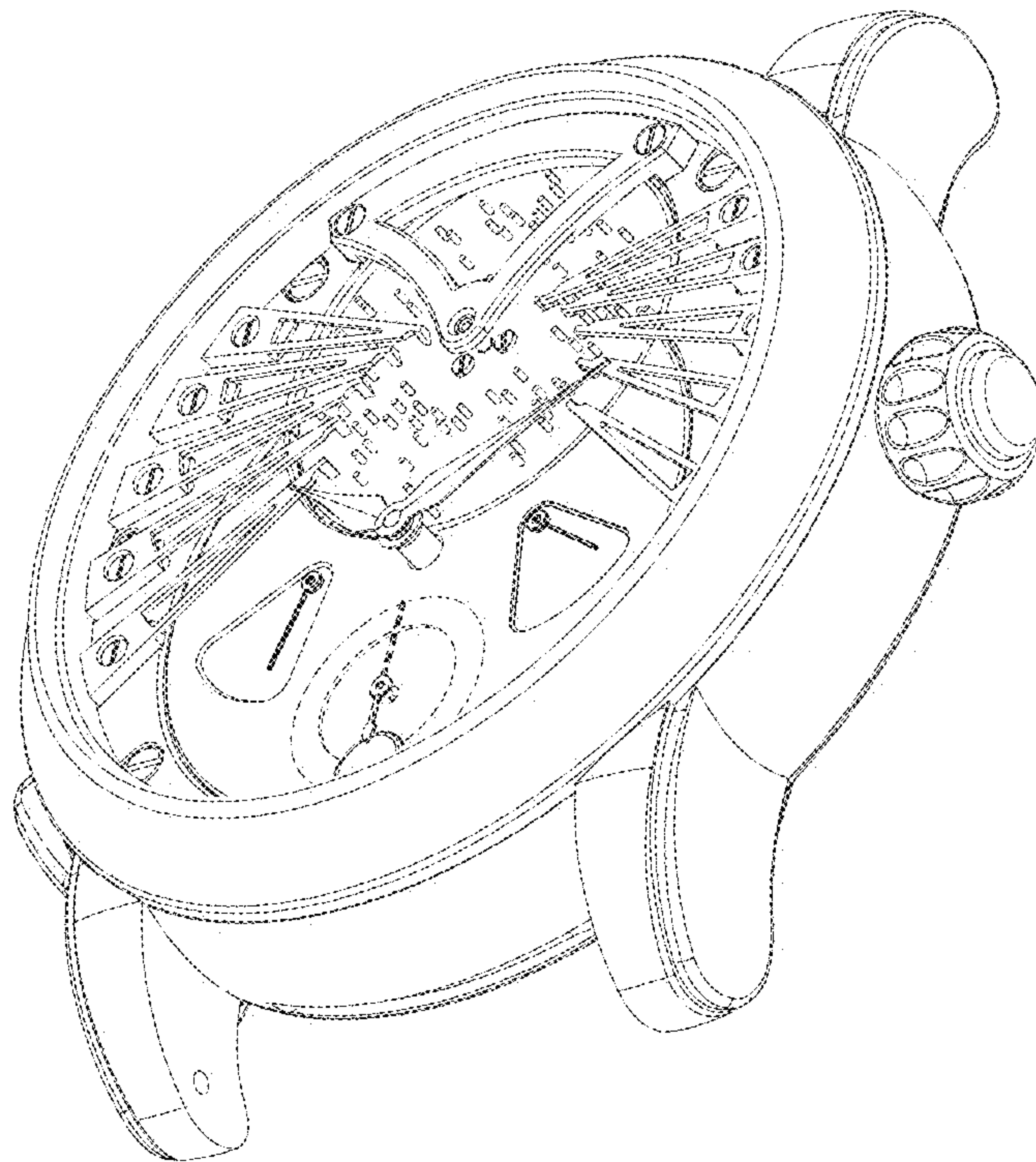


Fig. 2

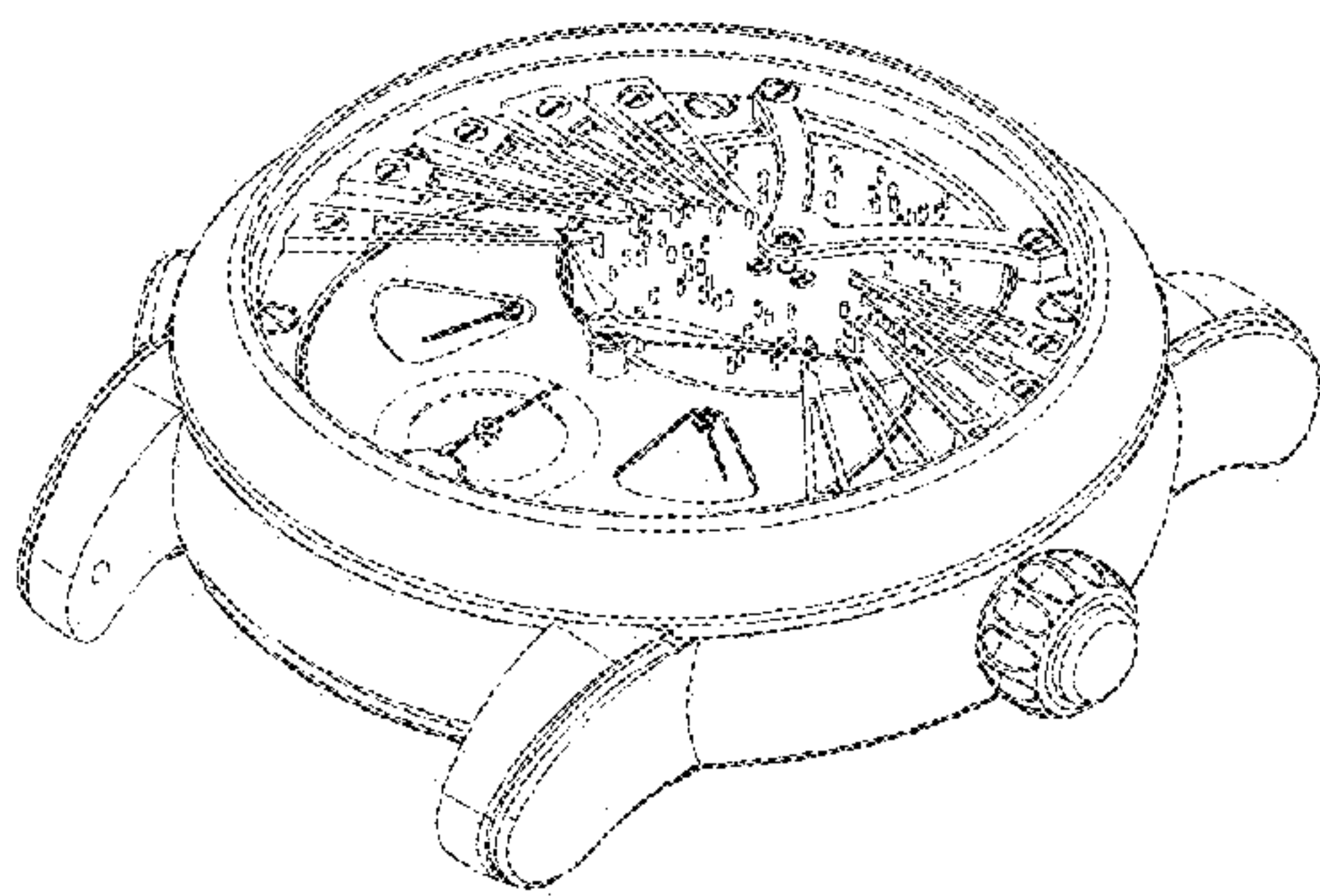


Fig. 3

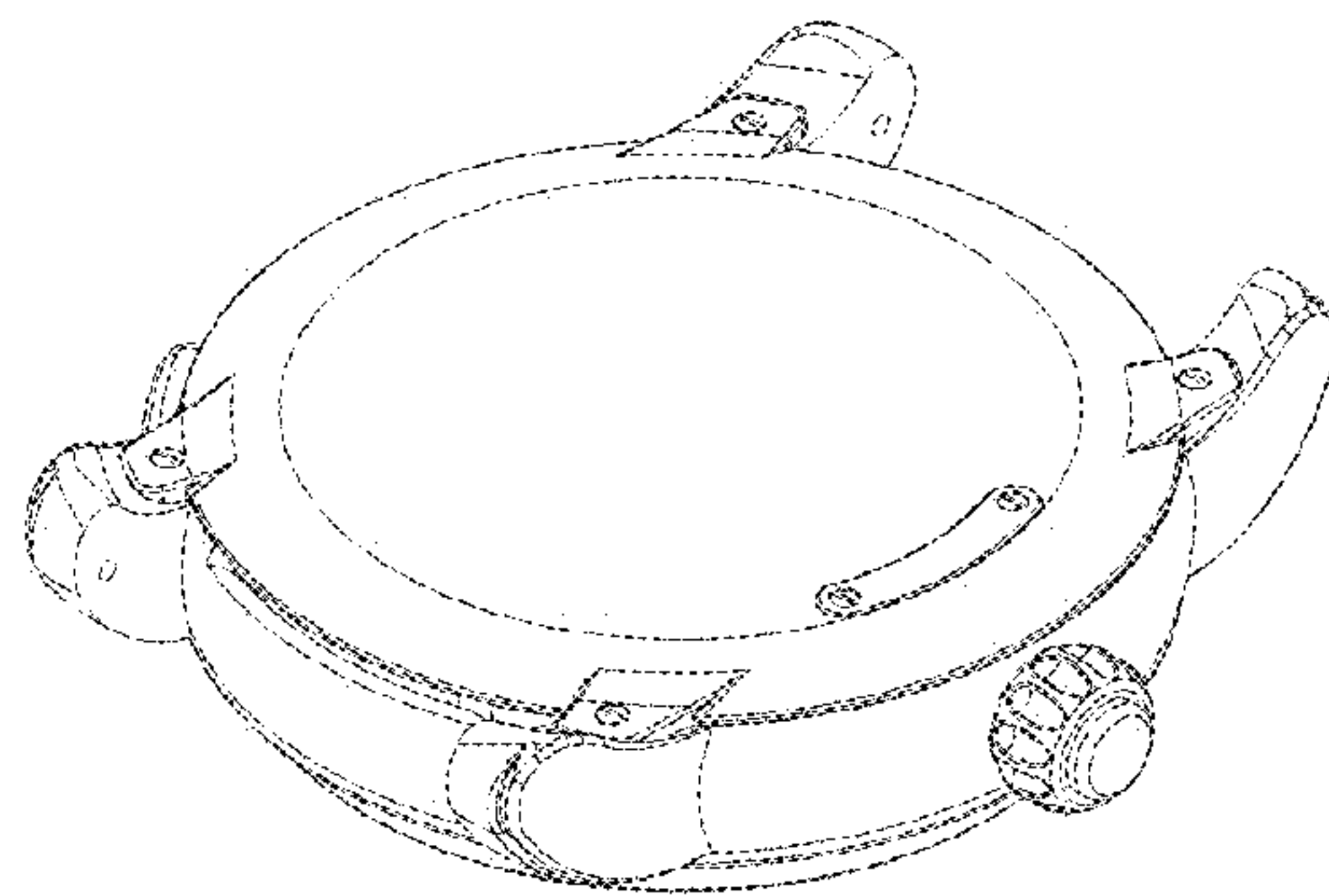


Fig. 4

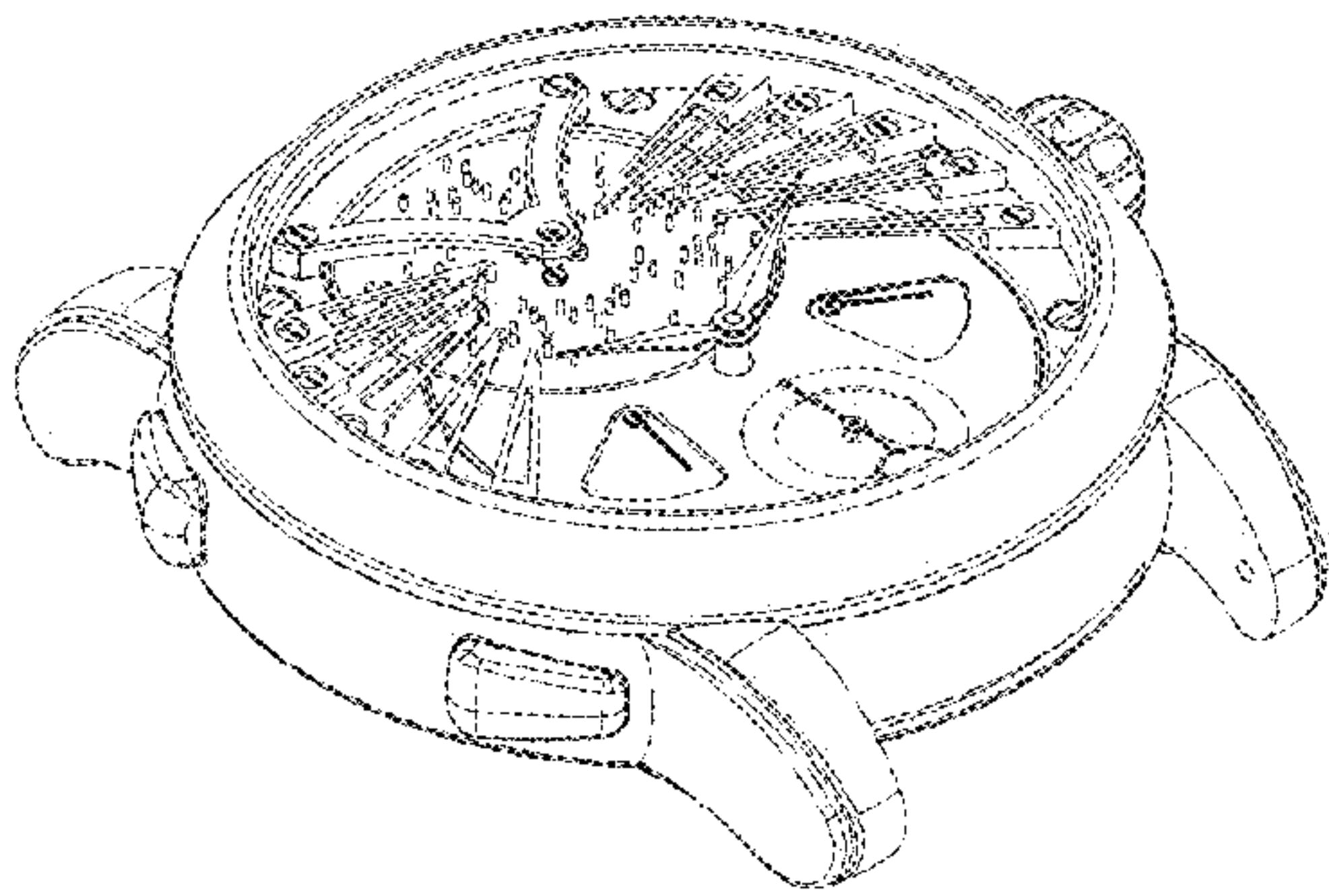


Fig. 5

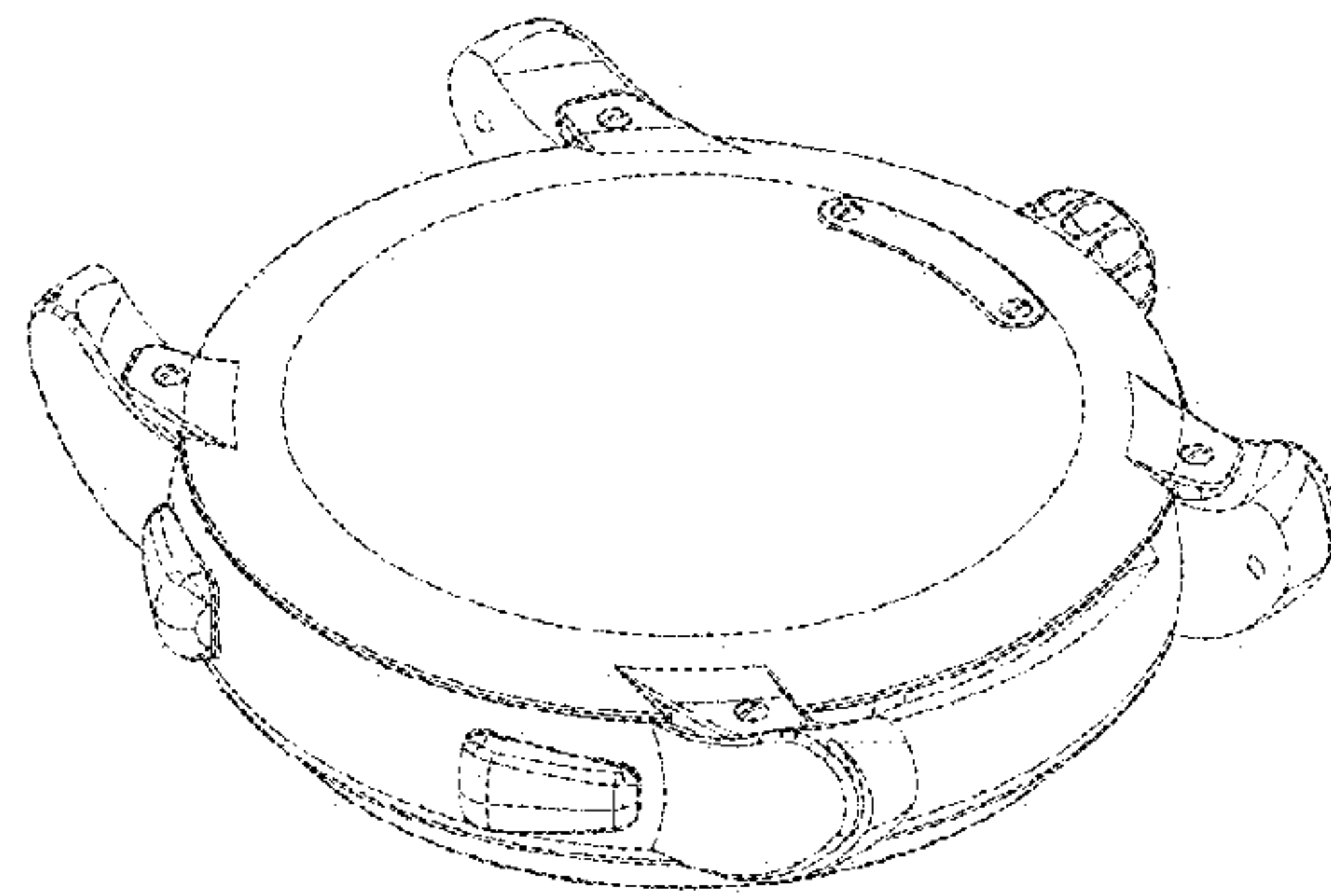


Fig. 6

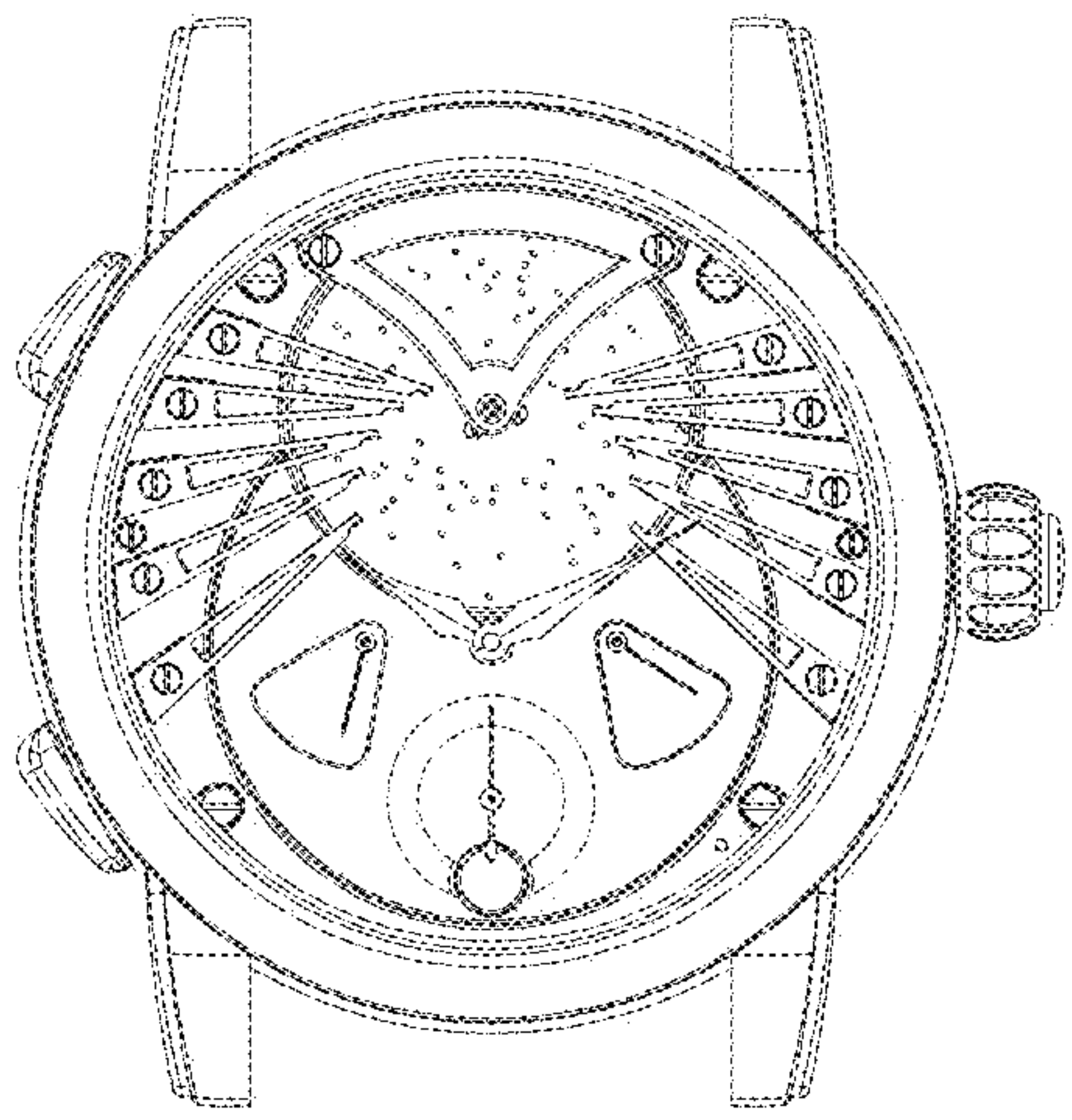


Fig. 7

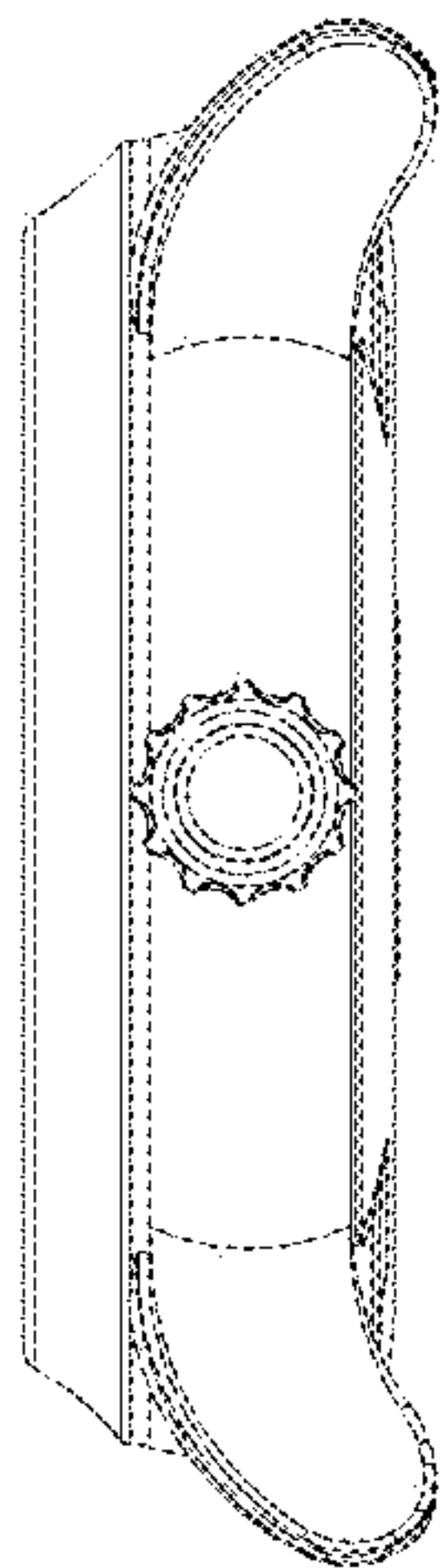
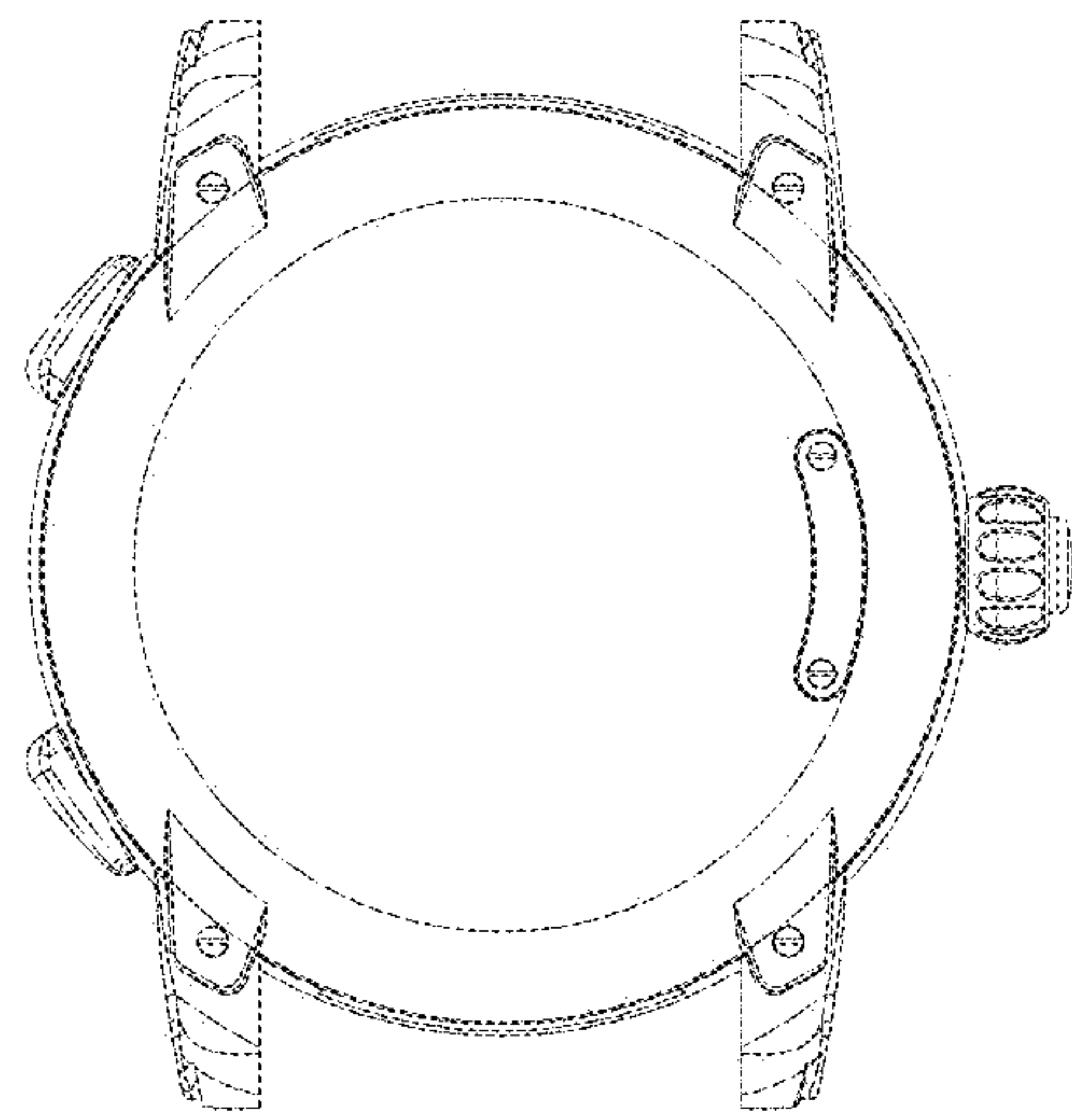


Fig. 8

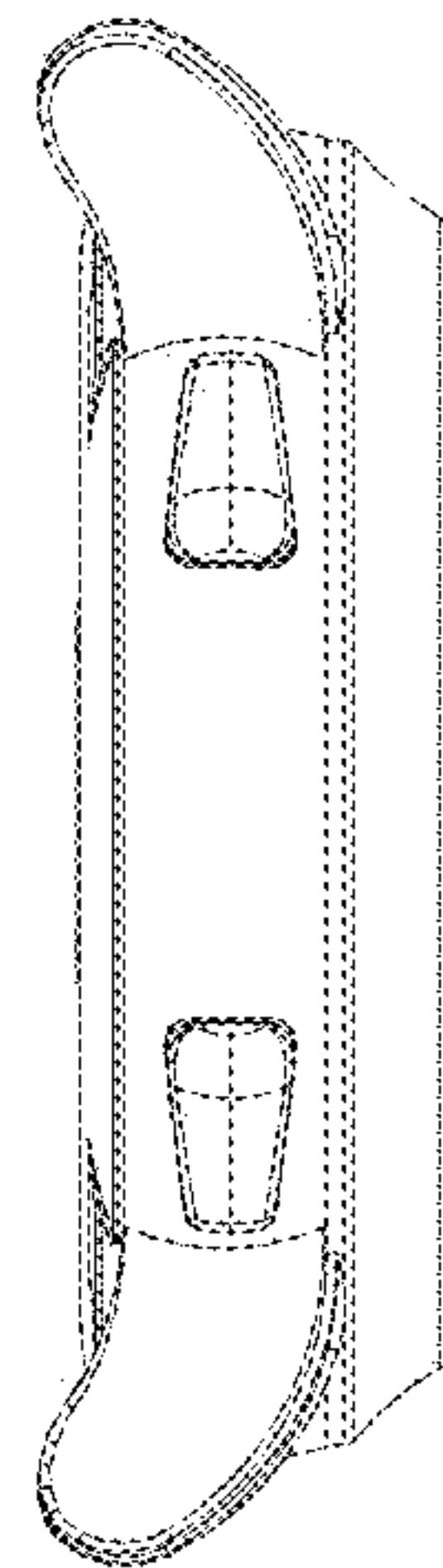


Fig. 9

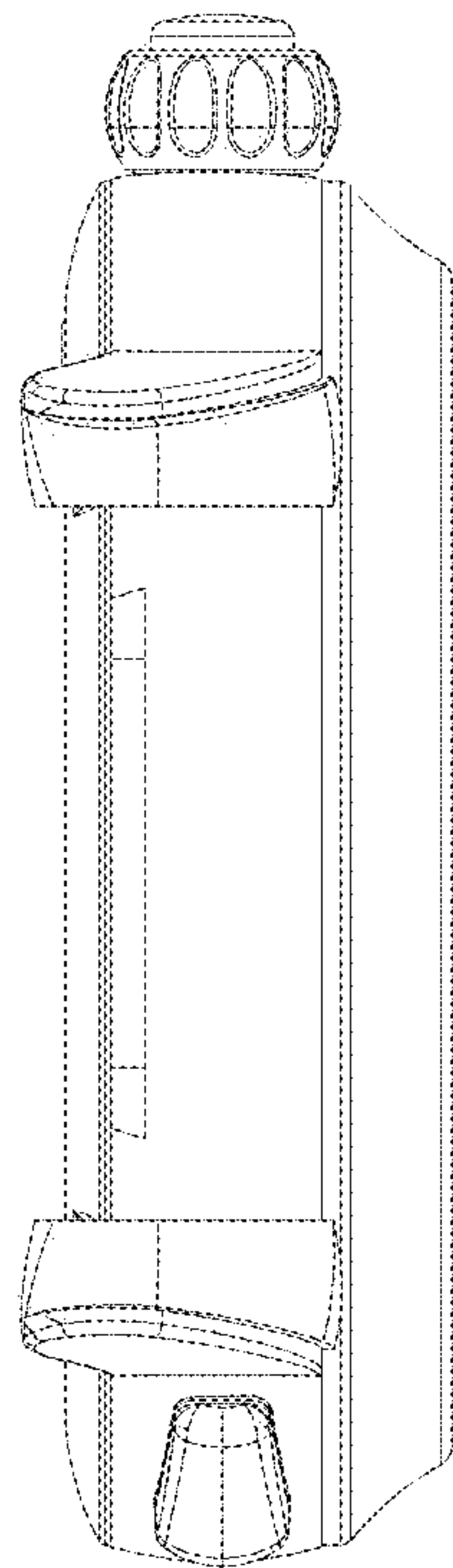


Fig. 10