



US00D683626S

(12) **United States Design Patent**
Beck et al.

(10) **Patent No.:** **US D683,626 S**
(45) **Date of Patent:** **** Jun. 4, 2013**

- (54) **CAP FOR A CONTAINER**
- (75) Inventors: **Todd Beck**, Woonona (AU); **Gary Bortz**, St. Ives (AU); **Anthony Cody**, Ultimo (AU)
- (73) Assignee: **Colgate-Palmolive Company**, New York, NY (US)
- (**) Term: **14 Years**
- (21) Appl. No.: **29/397,415**
- (22) Filed: **Jul. 15, 2011**
- (51) **LOC (9) Cl.** **09-07**
- (52) **U.S. Cl.**
USPC **D9/448**
- (58) **Field of Classification Search**
USPC D9/453, 452, 451, 443, 439, 432, D9/420, 448; D7/628; D24/115; D12/197; D11/157; 229/125.04, 125.09, 117.3; 222/498, 222/481, 182, 321.7–321.9, 402.11–402.15; 220/786, 269–270, 254.1, 228; 215/355–364, 215/247, 235; 206/423; 239/338, 339
See application file for complete search history.

- D322,754 S 12/1991 Halm et al.
- D375,263 S * 11/1996 Knickerbocker D9/448
- D381,261 S * 7/1997 Crawford D9/686
- D457,061 S * 5/2002 Walters D9/448
- D462,617 S 9/2002 Rutter et al.
- D545,203 S 6/2007 Perry et al.
- D552,230 S 10/2007 Collins et al.
- D557,134 S 12/2007 Wolpert et al.
- D581,787 S 12/2008 Davis et al.
- D588,460 S 3/2009 Davis et al.
- D601,899 S 10/2009 Davis et al.
- D602,362 S 10/2009 Hering
- D604,638 S 11/2009 Kim
- D668,152 S * 10/2012 Sasaki D9/448
- 2008/0015135 A1 1/2008 de Buzzaccarini et al.

* cited by examiner

Primary Examiner — Susan Bennett Hattan
(74) *Attorney, Agent, or Firm* — Judy W. Chung

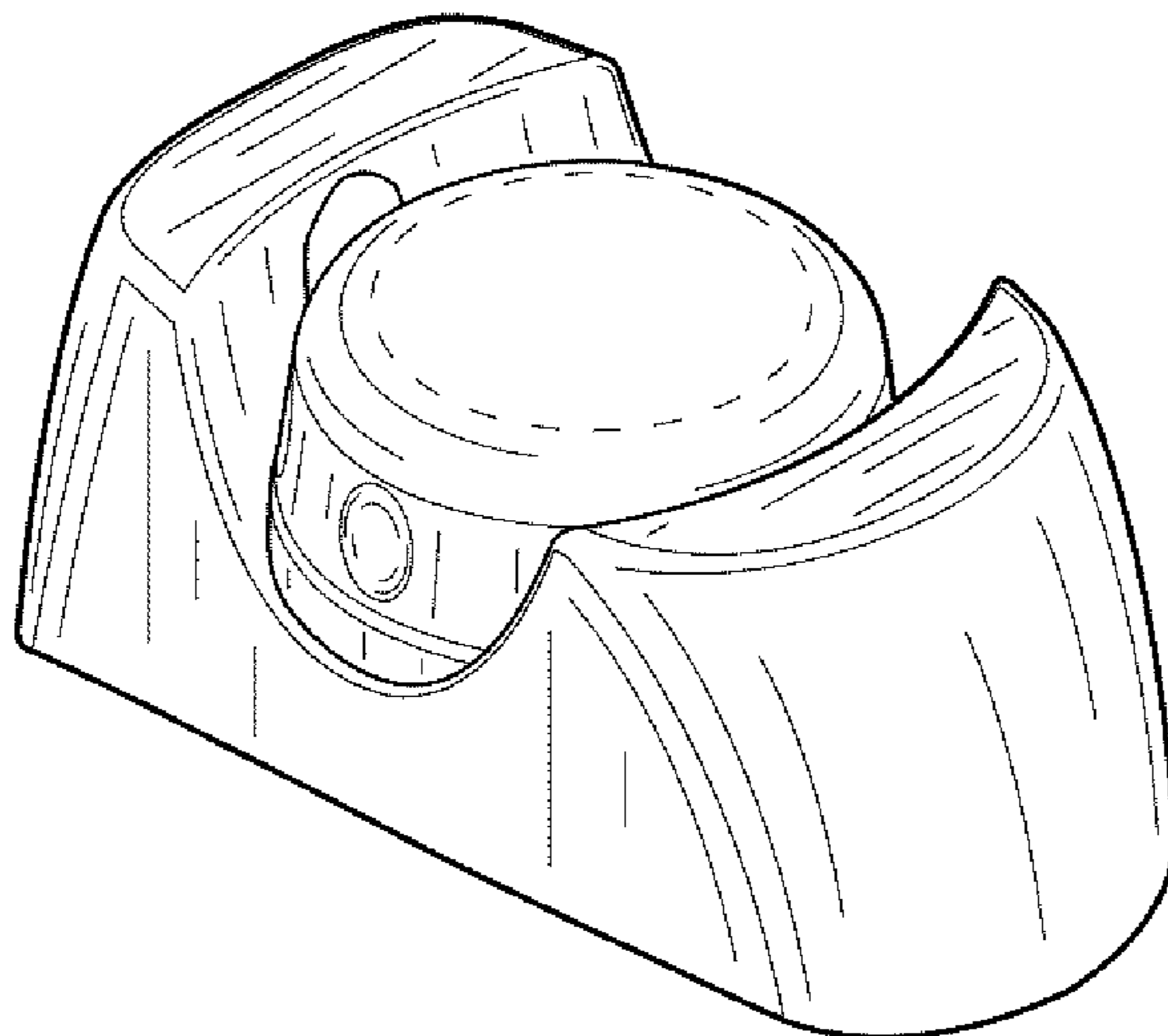
(57) **CLAIM**
The ornamental design for a cap for a container, as shown and described.

DESCRIPTION

FIG. 1 is a top perspective view of an embodiment of a cap for a container showing our new design;
FIG. 2 is a bottom perspective view thereof;
FIG. 3 is a top view thereof;
FIG. 4 is a bottom view thereof; and,
FIG. 5 is a front view thereof.
All broken lines shown in the drawings are for environmental purposes only and form no part of the claimed design.

1 Claim, 2 Drawing Sheets

- (56) **References Cited**
U.S. PATENT DOCUMENTS
D199,283 S * 9/1964 Douglas D9/448
D206,691 S * 1/1967 Pizzuro D9/448
3,512,682 A * 5/1970 Hendrickson et al. 222/182
D228,547 S * 10/1973 Grothoff D9/448
D291,782 S * 9/1987 O'Neil et al. D9/448



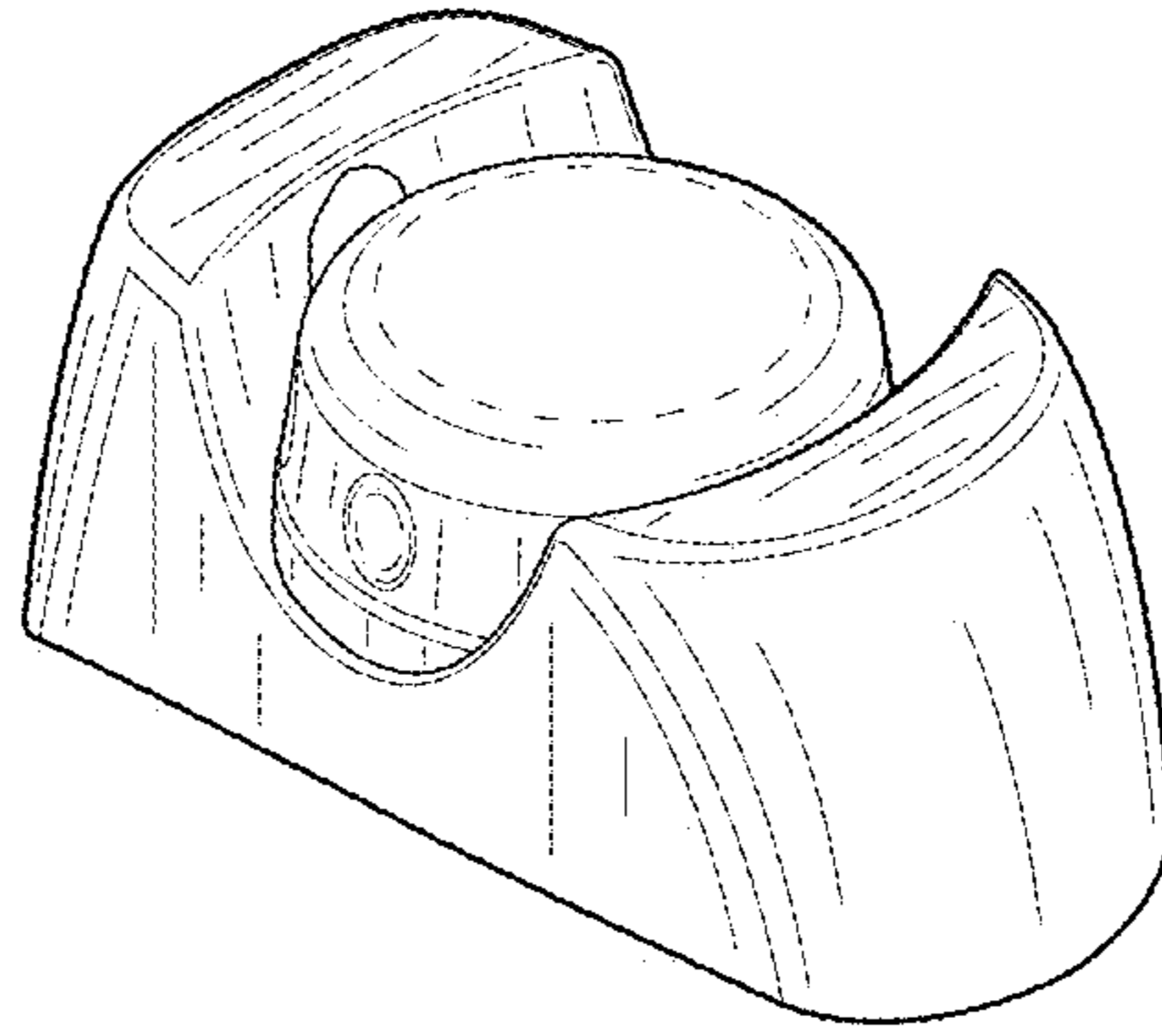


FIG. 1

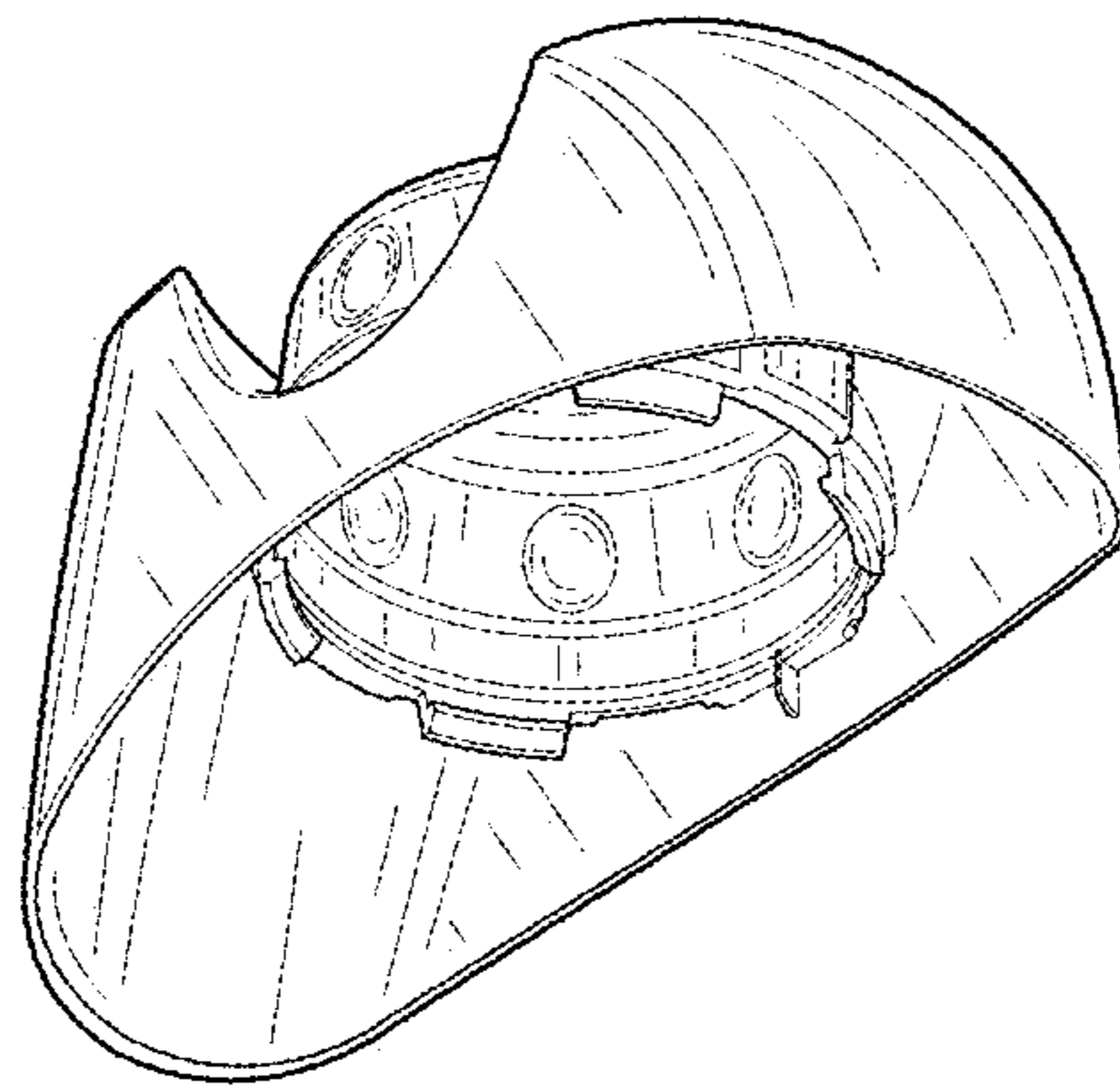


FIG. 2

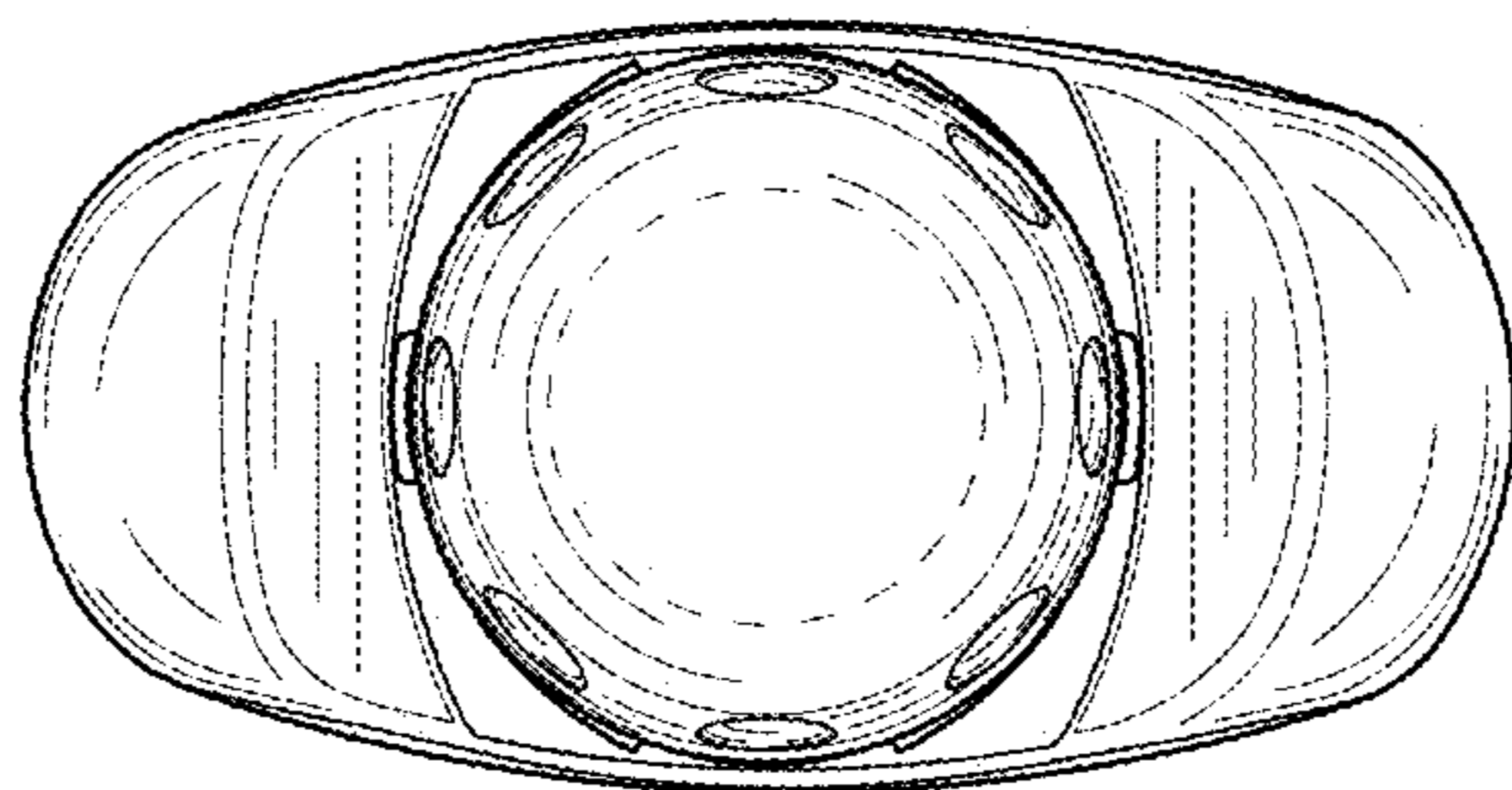


FIG. 3

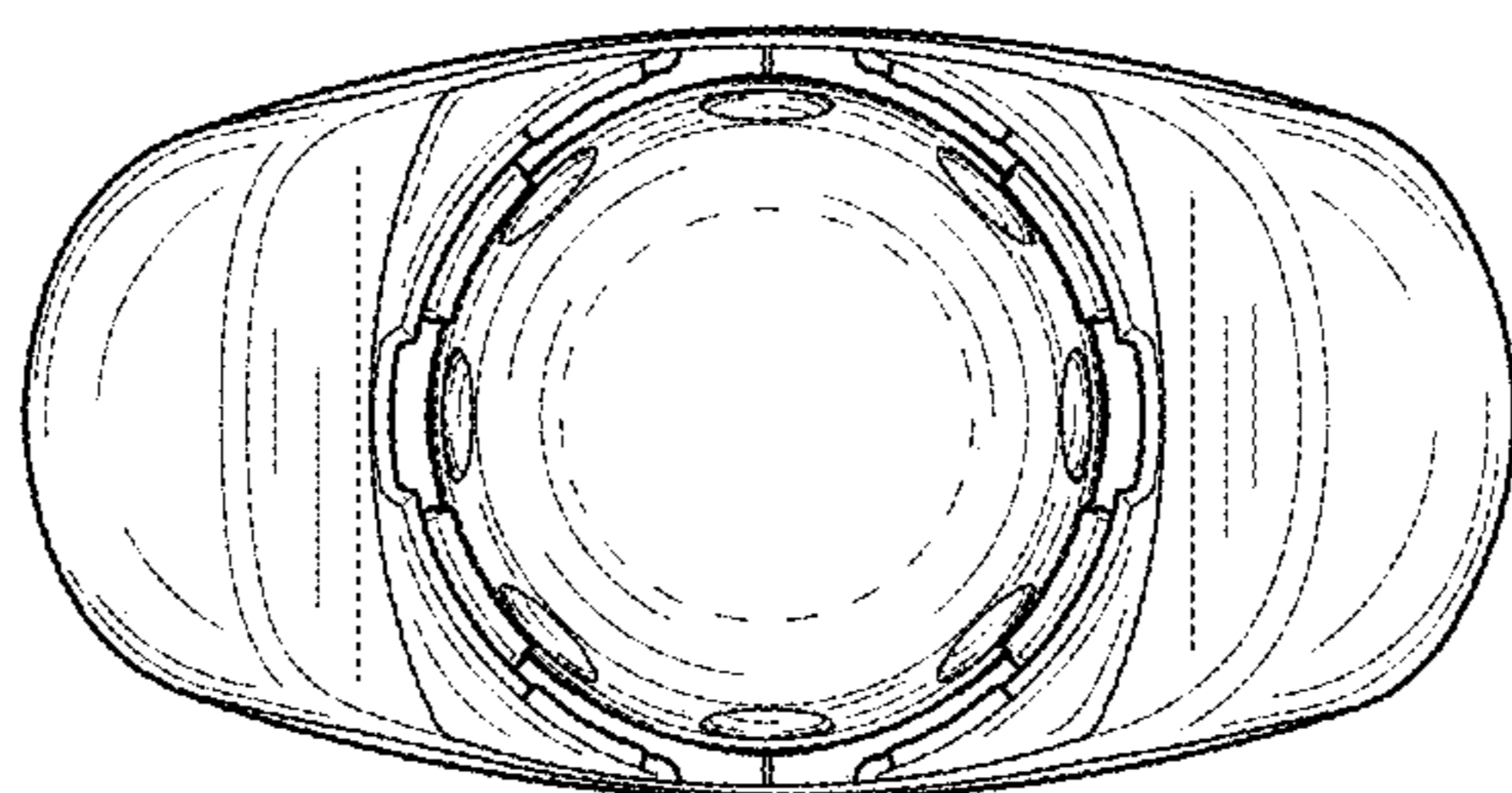


FIG. 4

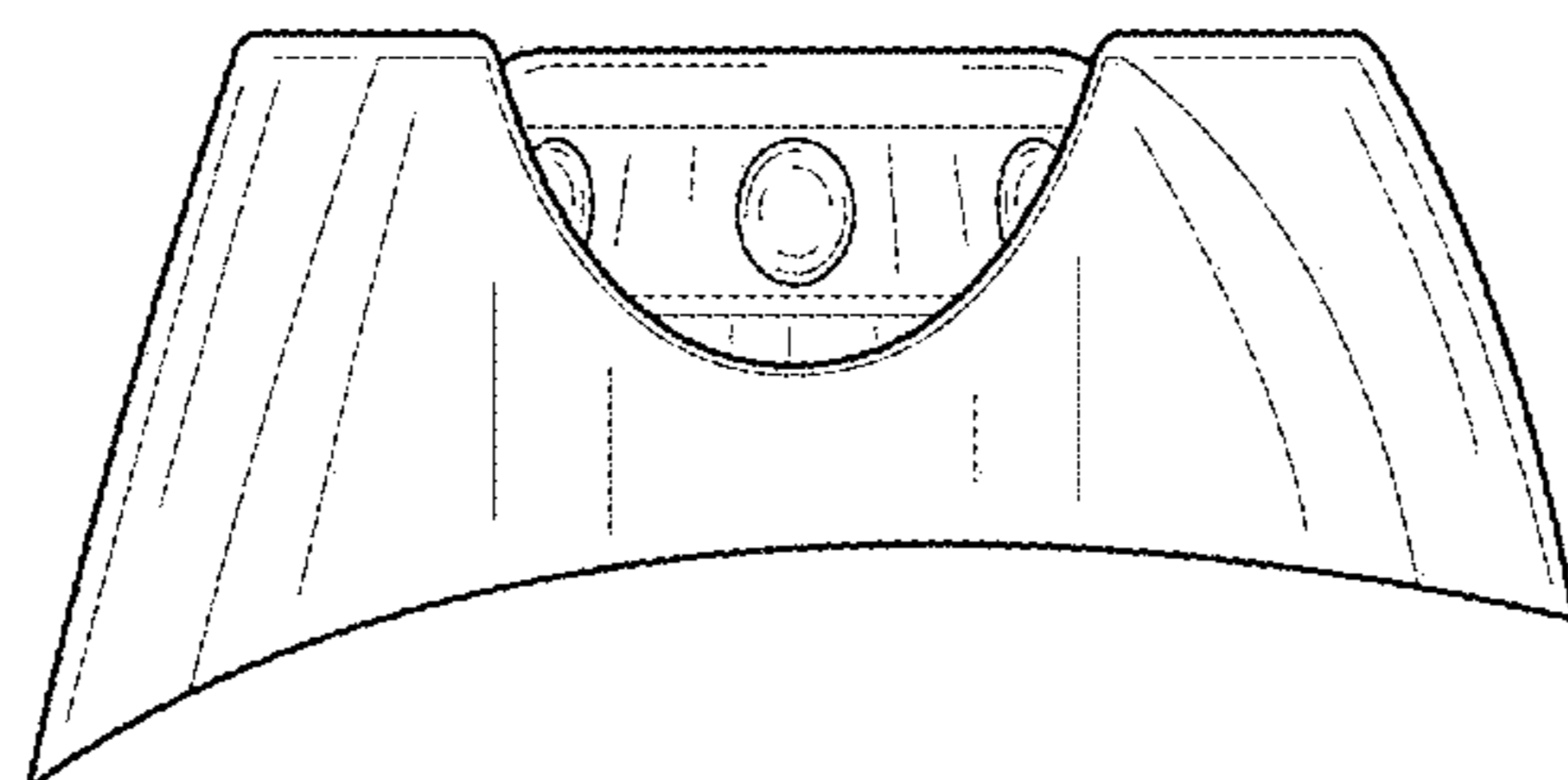


FIG. 5