



US00D683625S

(12) **United States Design Patent**
Miranda De Araujo et al.

(10) **Patent No.:** **US D683,625 S**
(45) **Date of Patent:** **** Jun. 4, 2013**

(54) **LID**

(76) Inventors: **Jefferson Luiz Miranda De Araujo**,
Rio de Janeiro (BR); **Claudio Patrick**
Vollers, Barra da tijuca (BR); **Leonardo**
Garcia Nogueira, Niteroi/Inga (BR)

(**) **Term:** **14 Years**

(21) **Appl. No.:** **29/406,936**

(22) **Filed:** **Nov. 21, 2011**

(30) **Foreign Application Priority Data**

May 26, 2011 (BR) DI7102727-0

(51) **LOC (9) Cl.** **09-07**

(52) **U.S. Cl.**
USPC **D9/443**

(58) **Field of Classification Search**
USPC D9/667, 454, 453, 452, 450, 449,
D9/445, 443, 441, 435; D23/253, 250;
220/270-276; 215/228, 217-223, 209
See application file for complete search history.

(56) **References Cited**

U.S. PATENT DOCUMENTS

| | | | | | | |
|--------------|----|---|---------|-----------------|-------|--------|
| D87,709 | S | * | 9/1932 | Brennan | | D9/453 |
| D111,993 | S | * | 11/1938 | Pollack | | D9/453 |
| 3,713,247 | A | | 1/1973 | Parrilla | | |
| 4,202,456 | A | | 5/1980 | Silber | | |
| 5,361,919 | A | | 11/1994 | Hull et al. | | |
| D397,938 | S | * | 9/1998 | Graham et al. | | D9/454 |
| 6,296,541 | B1 | | 10/2001 | Bezalel et al. | | |
| D469,693 | S | * | 2/2003 | Weiss et al. | | D9/452 |
| 6,702,642 | B1 | | 3/2004 | Parein | | |
| 8,187,050 | B1 | | 5/2012 | Sorensen | | |
| 2011/0139745 | A1 | | 6/2011 | Ezra et al. | | |
| 2012/0021140 | A1 | | 1/2012 | Dijksman et al. | | |

FOREIGN PATENT DOCUMENTS

| | | | |
|----|------------|----|---------|
| BR | PI0802245 | A2 | 9/2009 |
| CN | 2571697 | Y | 9/2003 |
| CN | 2706417 | Y | 6/2005 |
| CN | 202046587 | U | 11/2011 |
| DE | 8003690 | U1 | 5/1980 |
| GB | 2410493 | A | 8/2005 |
| IL | 41948 | A | 1/1977 |
| WO | 9936332 | A1 | 7/1999 |
| WO | 99/67151 | A1 | 12/1999 |
| WO | 0055063 | A1 | 9/2000 |
| WO | 0205918 | A1 | 1/2002 |
| WO | 2011153598 | A1 | 12/2011 |

* cited by examiner

Primary Examiner — Susan Bennett Hattan

(74) *Attorney, Agent, or Firm* — Carter, DeLuca, Farrell & Schmidt LLP

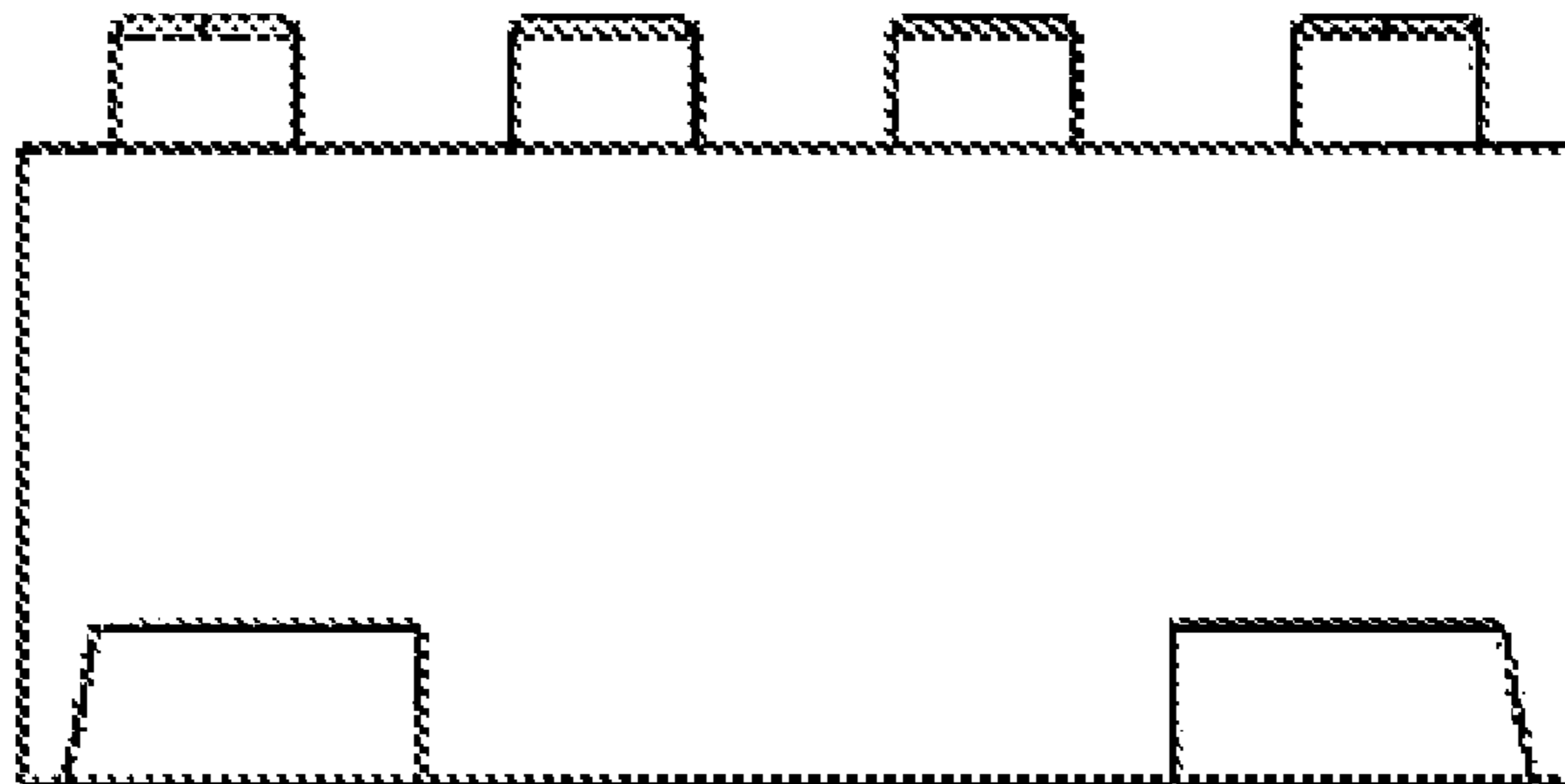
(57) **CLAIM**

We claim the ornamental design for a lid, as shown and described.

DESCRIPTION

FIG. 1 is a side view of a lid that is the subject of the present design;
 FIG. 2 is a bottom view of the lid as shown in FIG. 1;
 FIG. 3 is a top view of the lid as shown in FIG. 1;
 FIG. 4 is a bottom perspective view of the lid as shown in FIG. 1;
 FIG. 5 is a top perspective view of the lid as shown in FIG. 1;
 FIG. 6 is a side view of a second embodiment of the lid that is the subject of the present design;
 FIG. 7 is a bottom view of the lid as shown in FIG. 6;
 FIG. 8 is a top view of the lid as shown in FIG. 6;
 FIG. 9 is a bottom perspective view of the lid as shown in FIG. 6; and,
 FIG. 10 is a top perspective view of the lid as shown in FIG. 6.

1 Claim, 2 Drawing Sheets



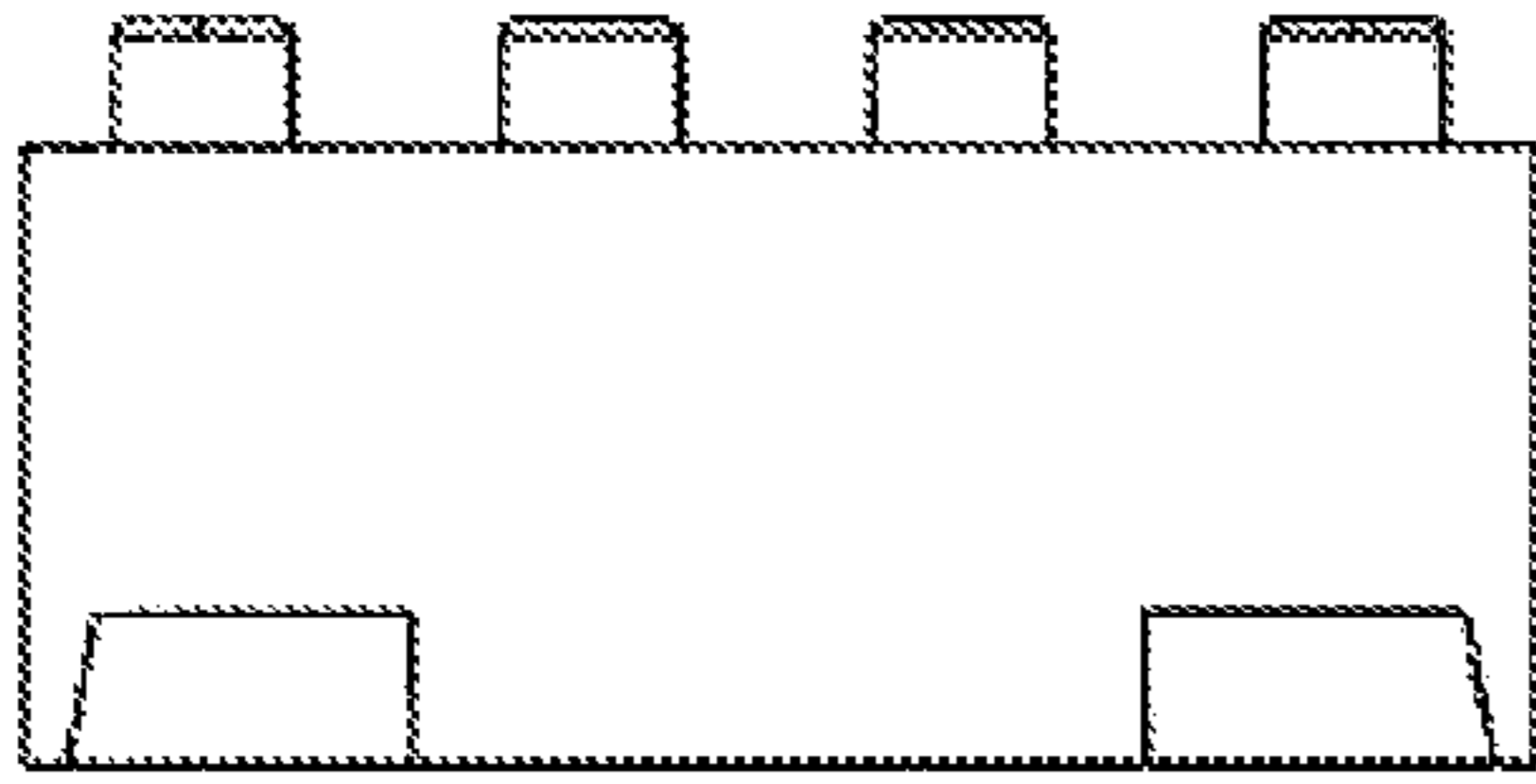


FIG. 1

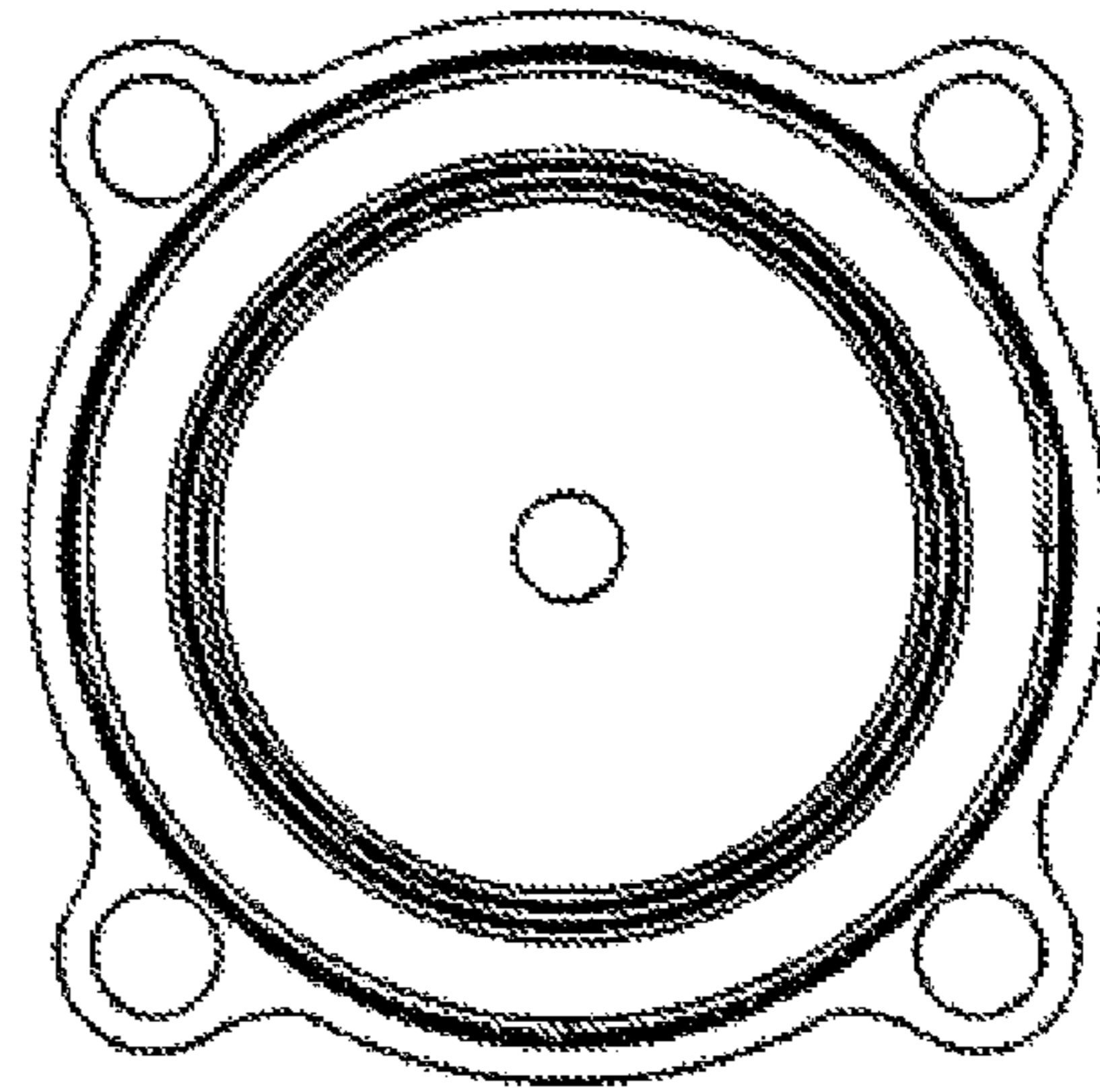


FIG. 2

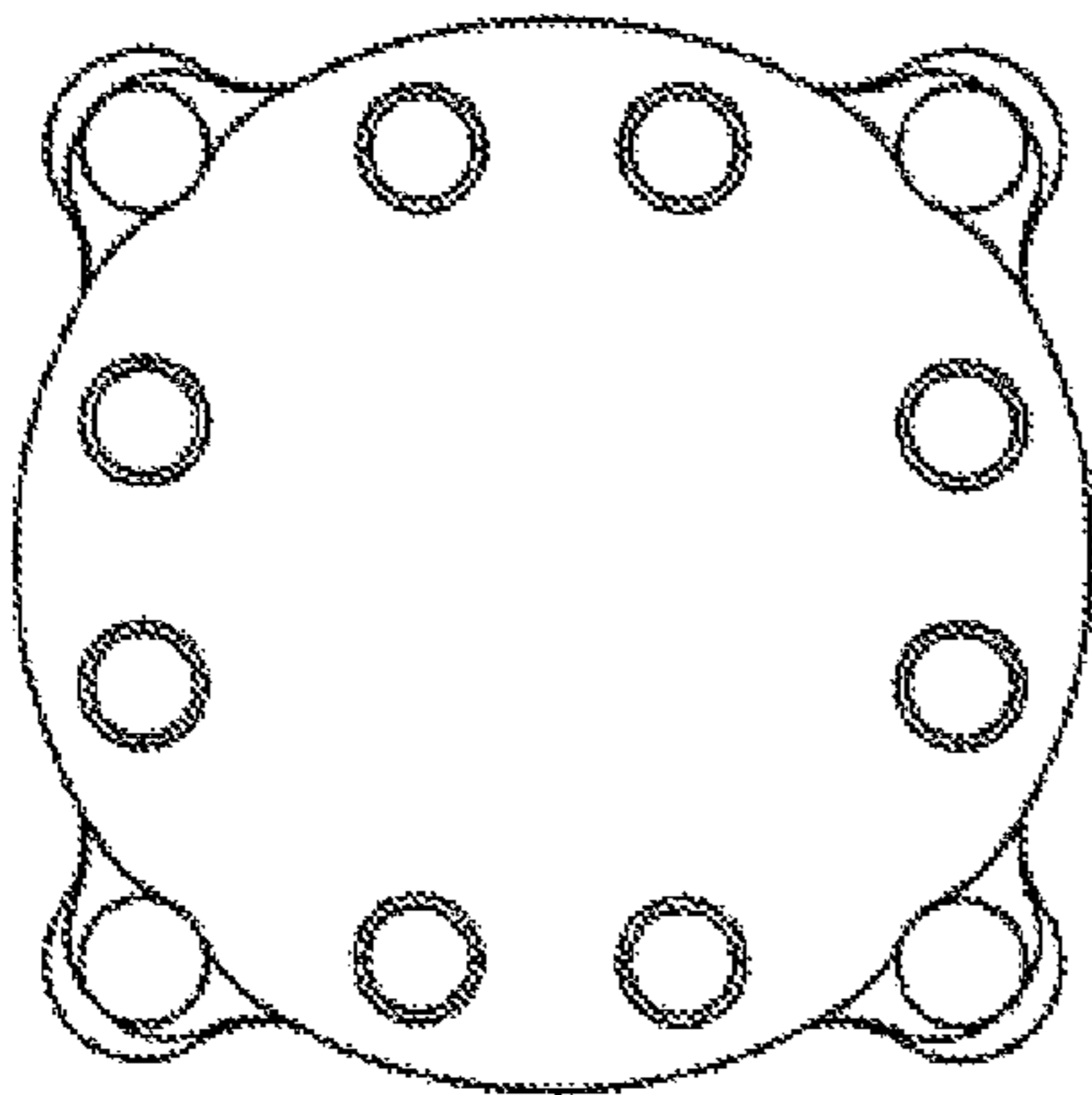


FIG. 3

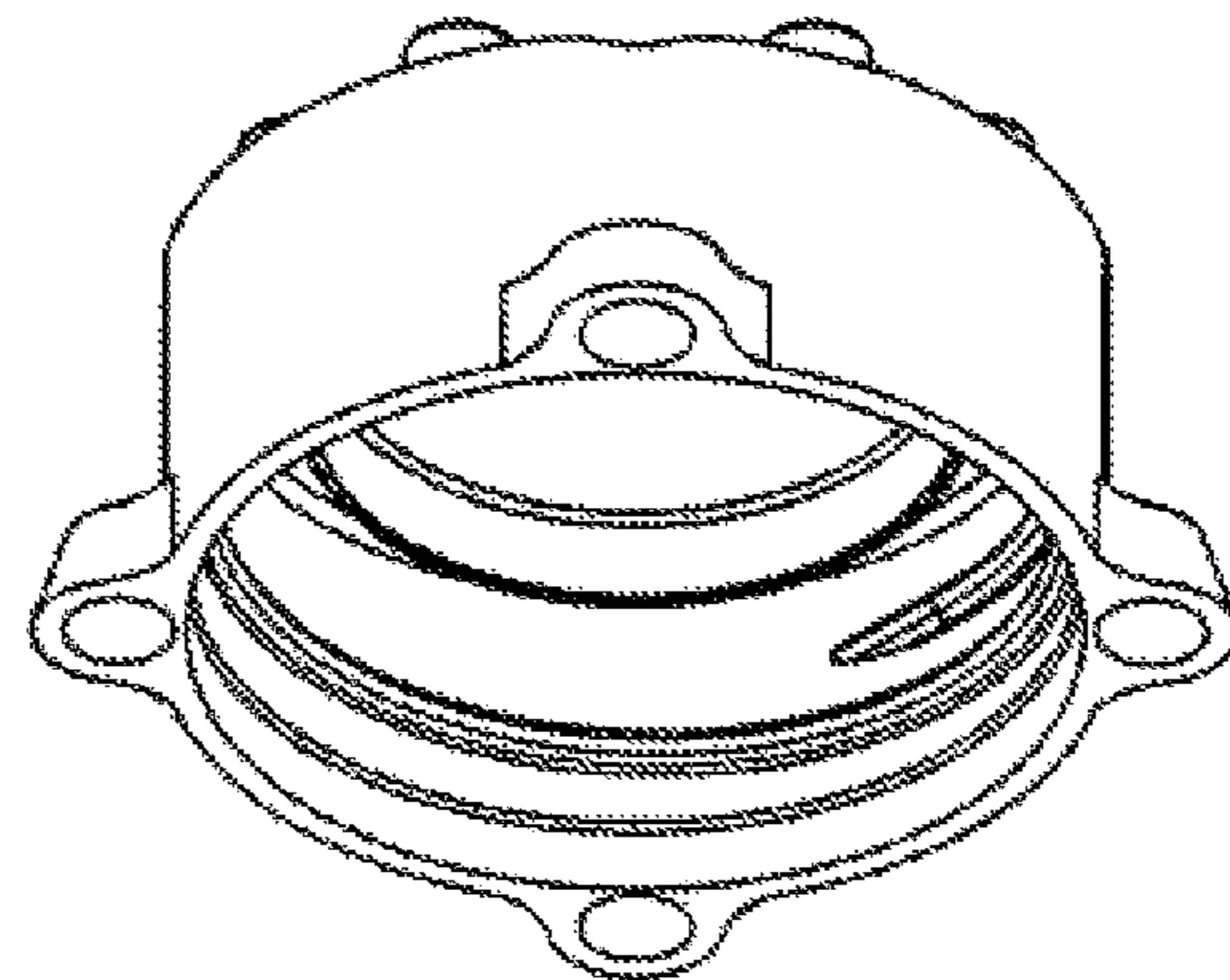


FIG. 4

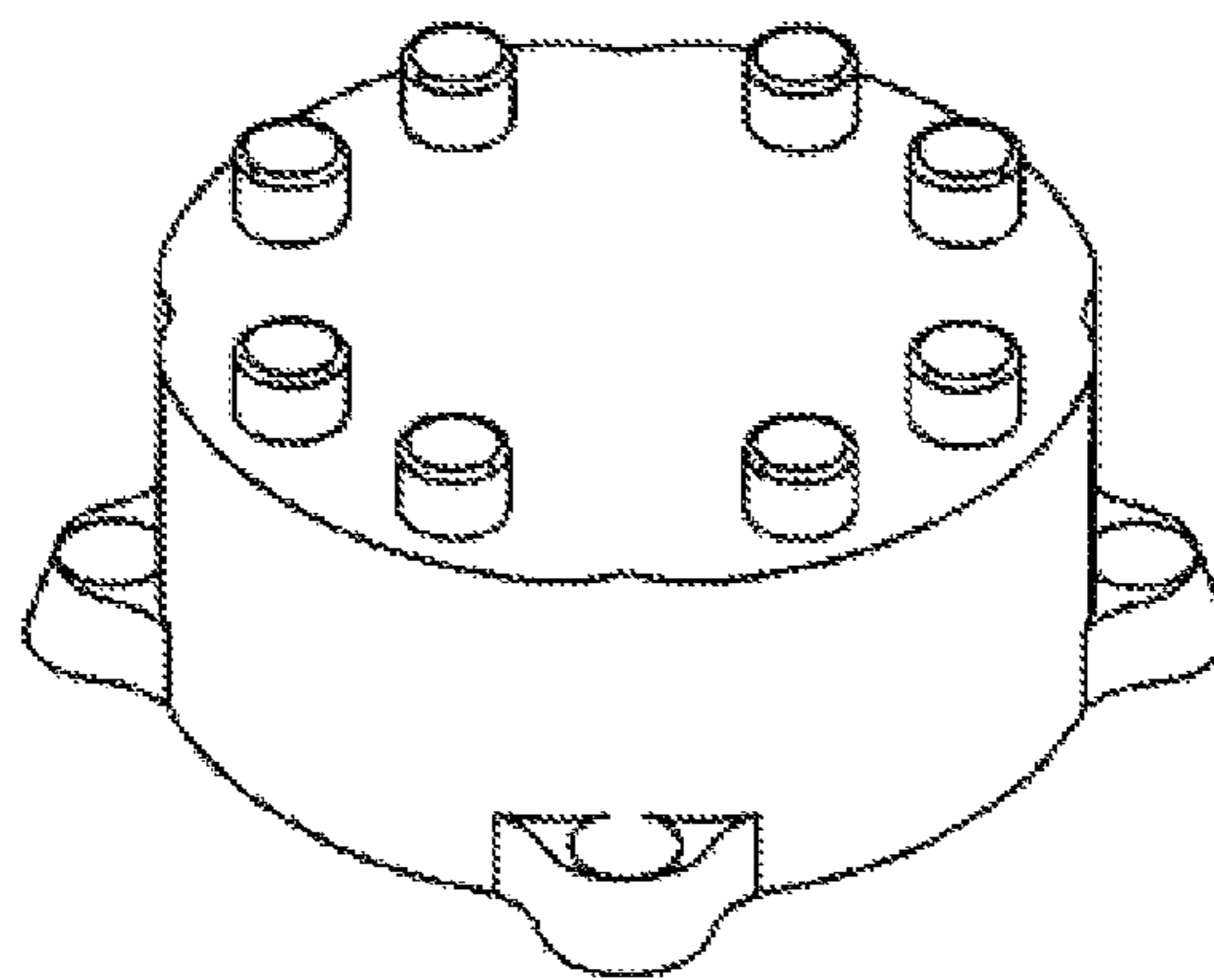


FIG. 5

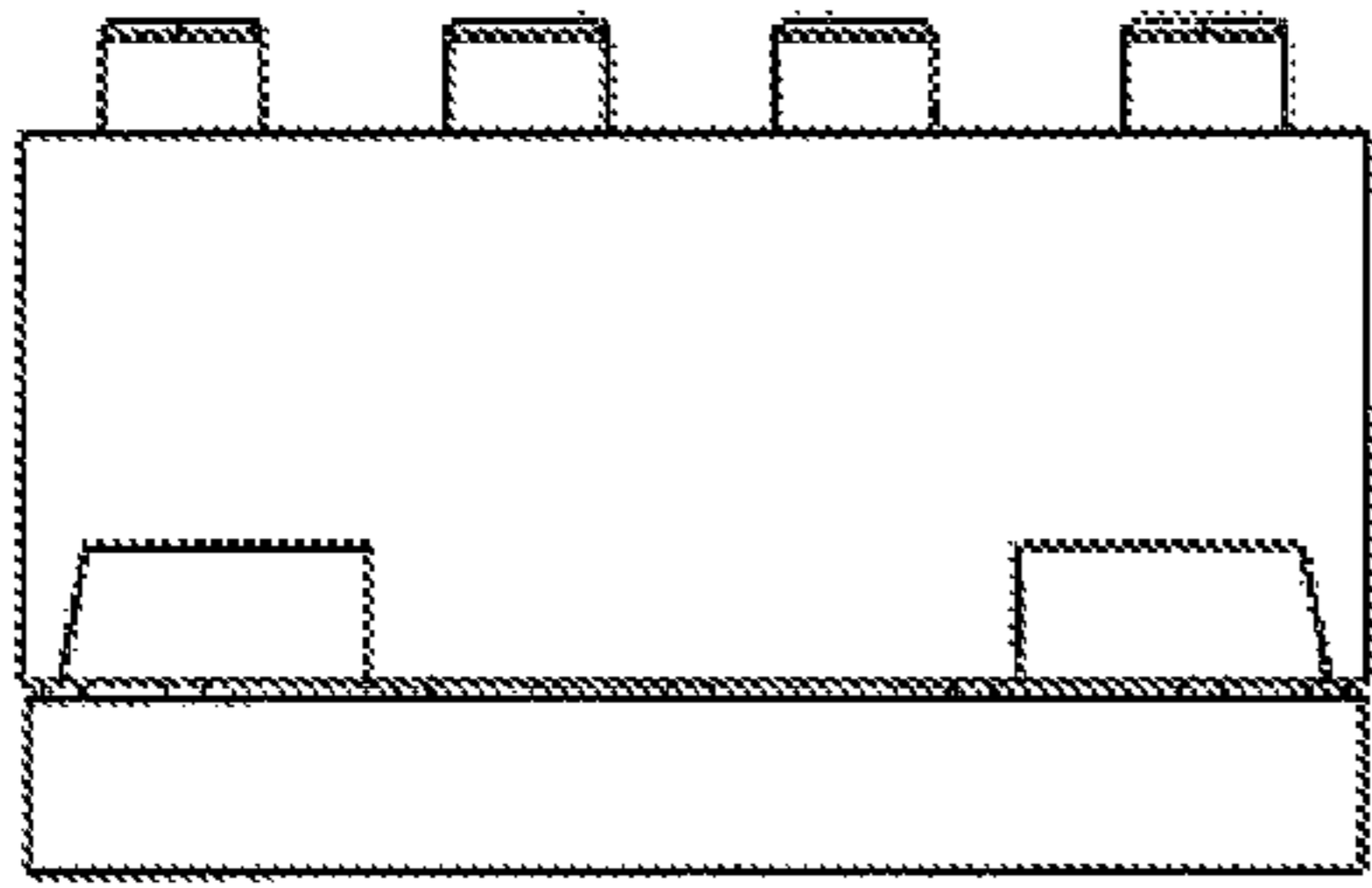


FIG. 6

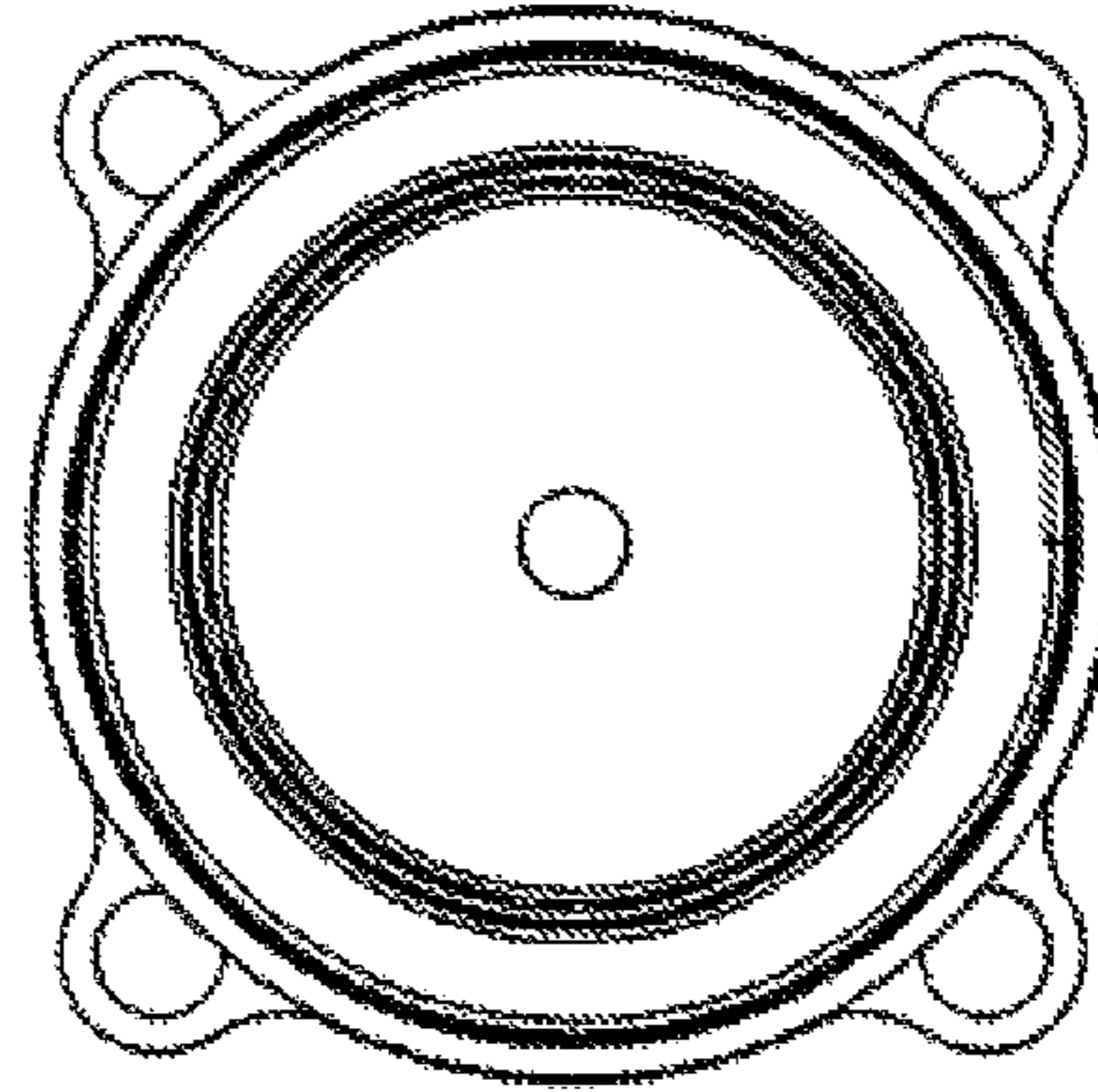


FIG. 7

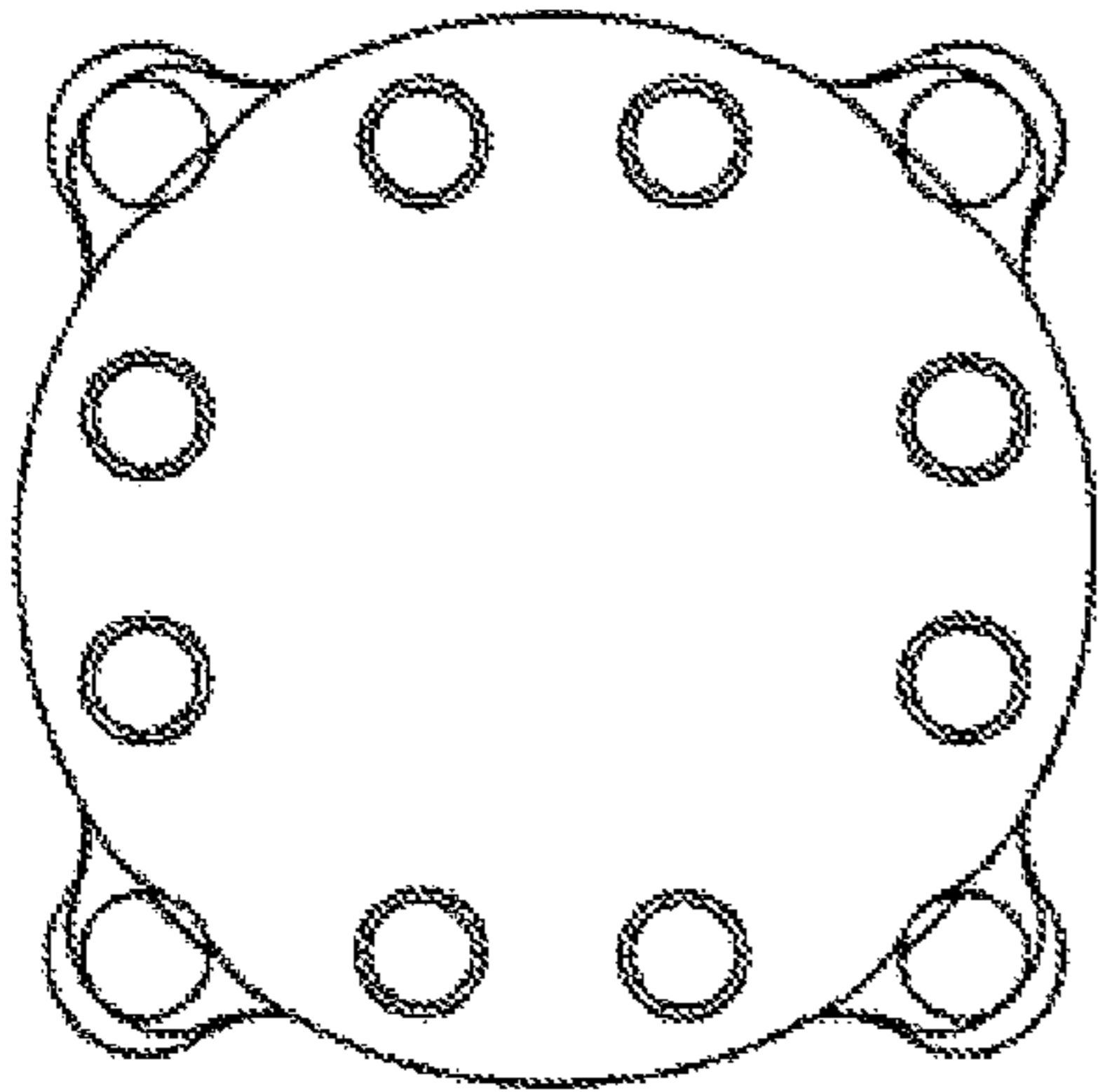


FIG. 8

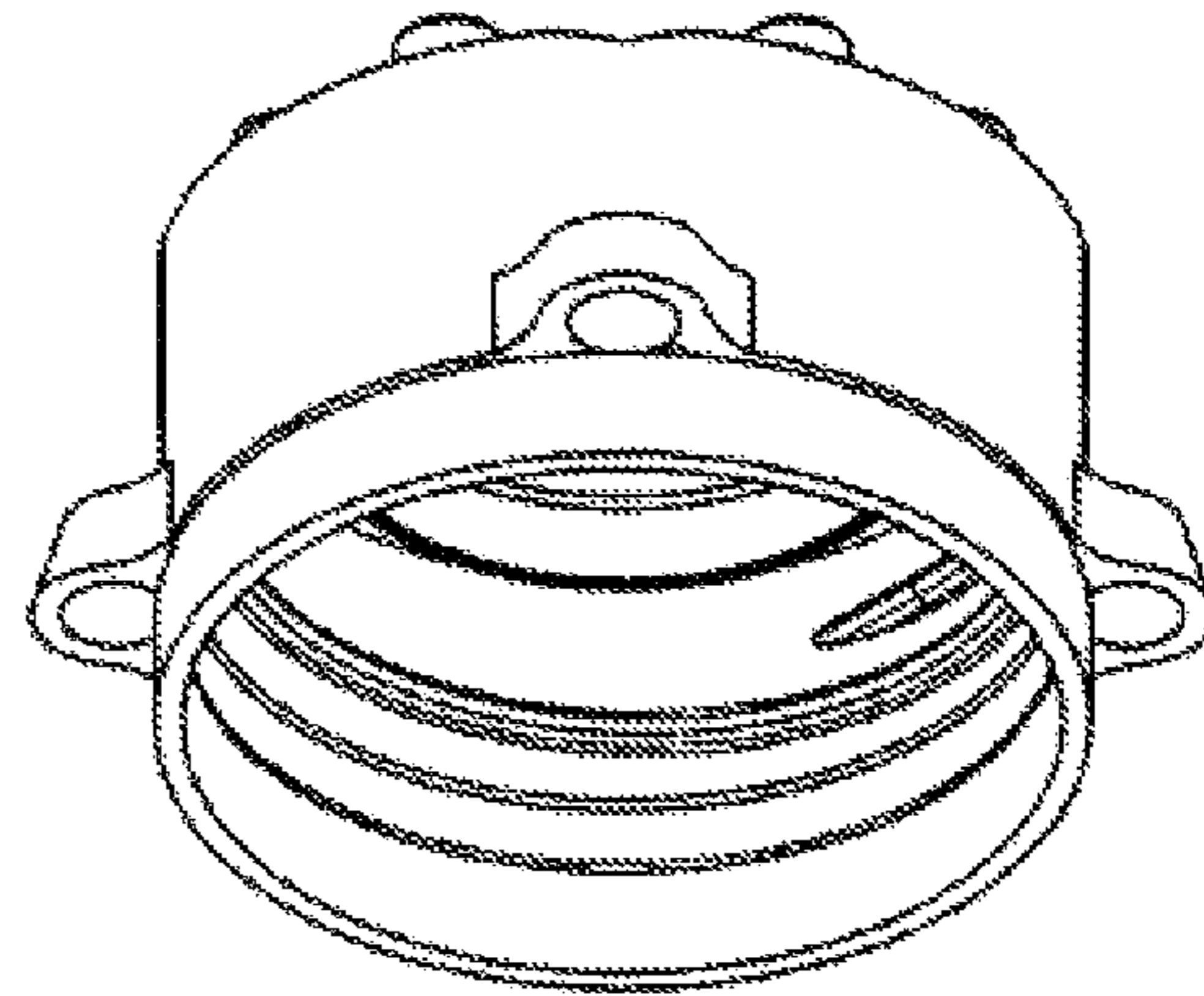


FIG. 9

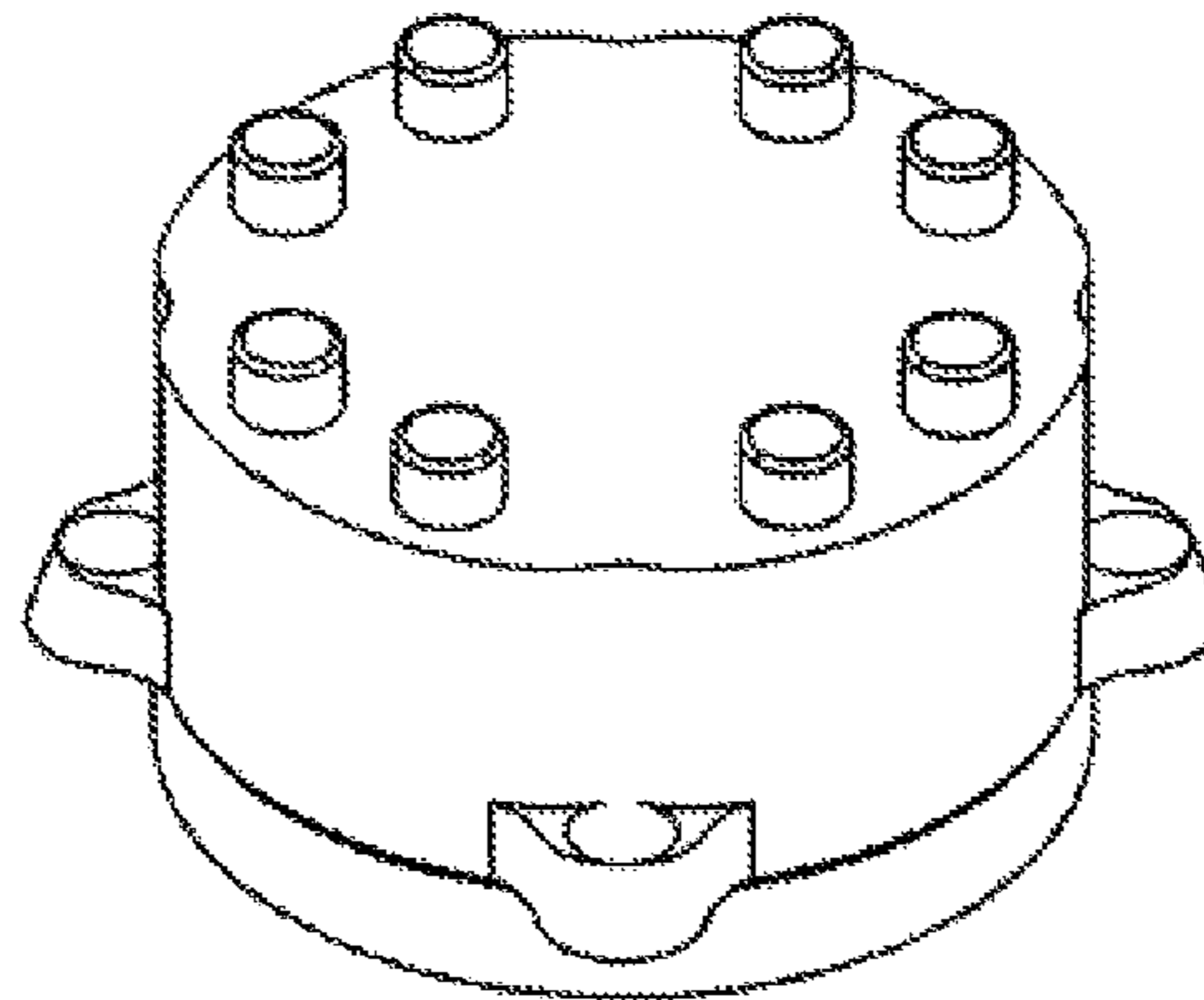


FIG. 10