



US00D683618S

(12) **United States Design Patent**  
**Shirosawa**

(10) **Patent No.:** **US D683,618 S**  
(45) **Date of Patent:** **\*\* Jun. 4, 2013**

(54) **BLISTER PACKAGE**

(71) Applicant: **Panasonic Corporation**, Osaka (JP)

(72) Inventor: **Tomohisa Shirosawa**, Osaka (JP)

(73) Assignee: **Panasonic Corporation**, Osaka (JP)

(\*\*) Term: **14 Years**

(21) Appl. No.: **29/437,656**

(22) Filed: **Nov. 20, 2012**

(30) **Foreign Application Priority Data**

Jul. 17, 2012 (JP) ..... 2012-016905  
Jul. 17, 2012 (JP) ..... 2012-016906

(51) **LOC (9) Cl.** ..... **09-03**

(52) **U.S. Cl.**  
USPC ..... **D9/424**

(58) **Field of Classification Search**  
USPC ..... D9/414, 415, 418, 423, 424, 425,  
D9/428, 429, 432, 433, 670, 715, 722, 730,  
D9/732, 735, 748, 749, 761; 229/162, 116.1,  
229/4.5, 662, 625; 206/216, 260, 303, 446,  
206/756, 765, 769, 770, 771, 775-778; D3/201,  
D3/203.1-203.4, 302, 318, 904; 220/662,  
220/665, 675

See application file for complete search history.

(56) **References Cited**

**U.S. PATENT DOCUMENTS**

D472,809 S \* 4/2003 Gelardi et al. .... D9/428  
6,926,152 B2 \* 8/2005 Leung ..... 206/769  
D547,649 S \* 7/2007 Larocca ..... D9/423

D579,324 S \* 10/2008 Schmidt ..... D9/418  
D584,609 S \* 1/2009 Kotler ..... D9/418  
D646,586 S \* 10/2011 Nottingham ..... D9/748  
8,256,622 B2 \* 9/2012 Ahlberg ..... 206/736

**FOREIGN PATENT DOCUMENTS**

EM 000932579-0001 6/2008

\* cited by examiner

*Primary Examiner* — Derrick Holland

*Assistant Examiner* — Lauren Calve

(74) *Attorney, Agent, or Firm* — Panasonic Patent Center

(57) **CLAIM**

I claim the ornamental design for a blister package, as shown and described.

**DESCRIPTION**

FIG. 1 is a perspective view of a blister package of the present invention;

FIG. 2 is a front view thereof;

FIG. 3 is a rear view thereof;

FIG. 4 is a first side view thereof;

FIG. 5 is a second side view thereof;

FIG. 6 is a top view thereof;

FIG. 7 is a bottom view thereof;

FIG. 8 is a sectional view taken along the line 8-8 of FIG. 6; and,

FIG. 9 is a perspective view thereof shown in an environmental use.

The broken line showing of a blister package represents unclaimed subject matter and forms no part of the claimed design.

**1 Claim, 9 Drawing Sheets**

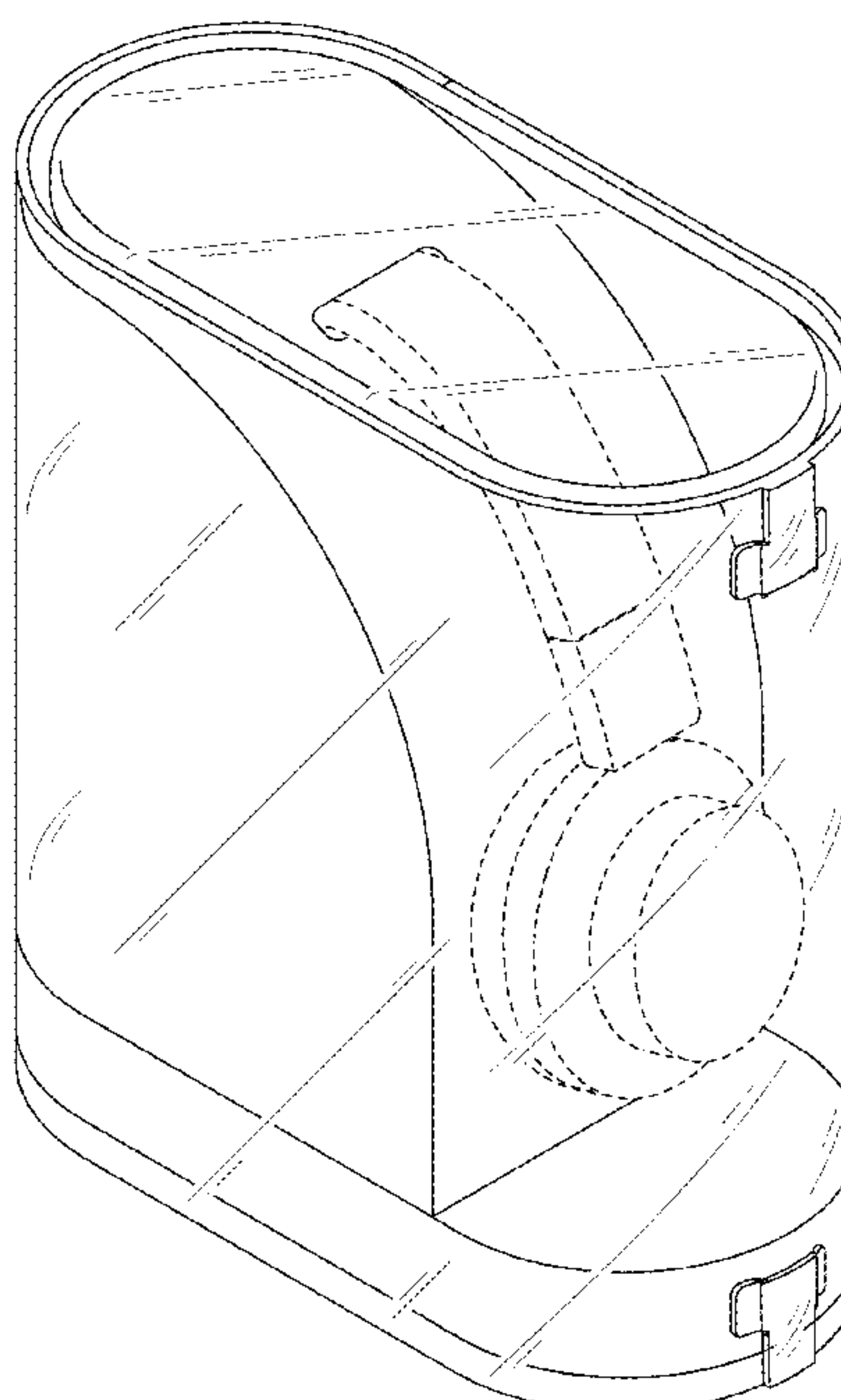
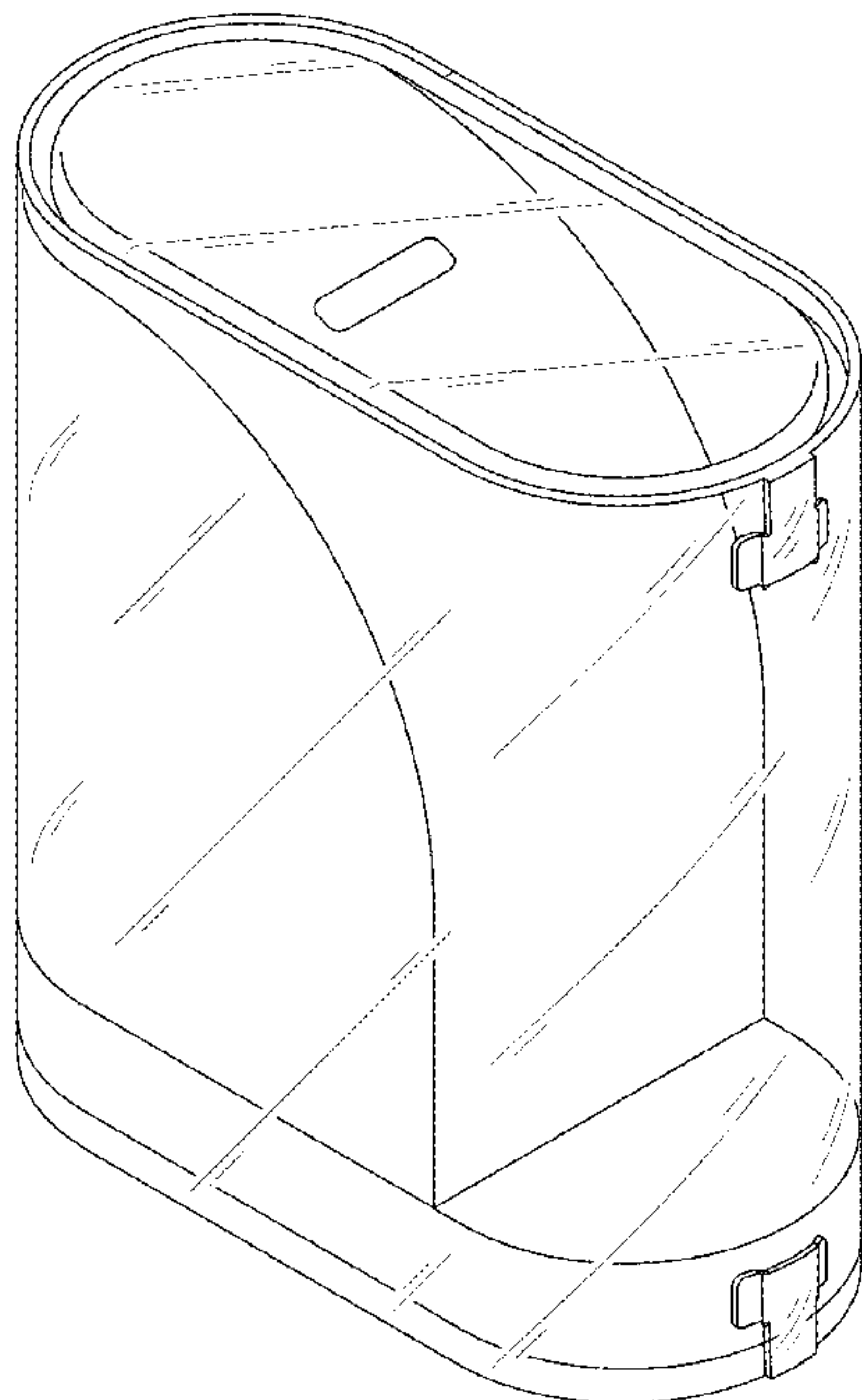


FIG. 1

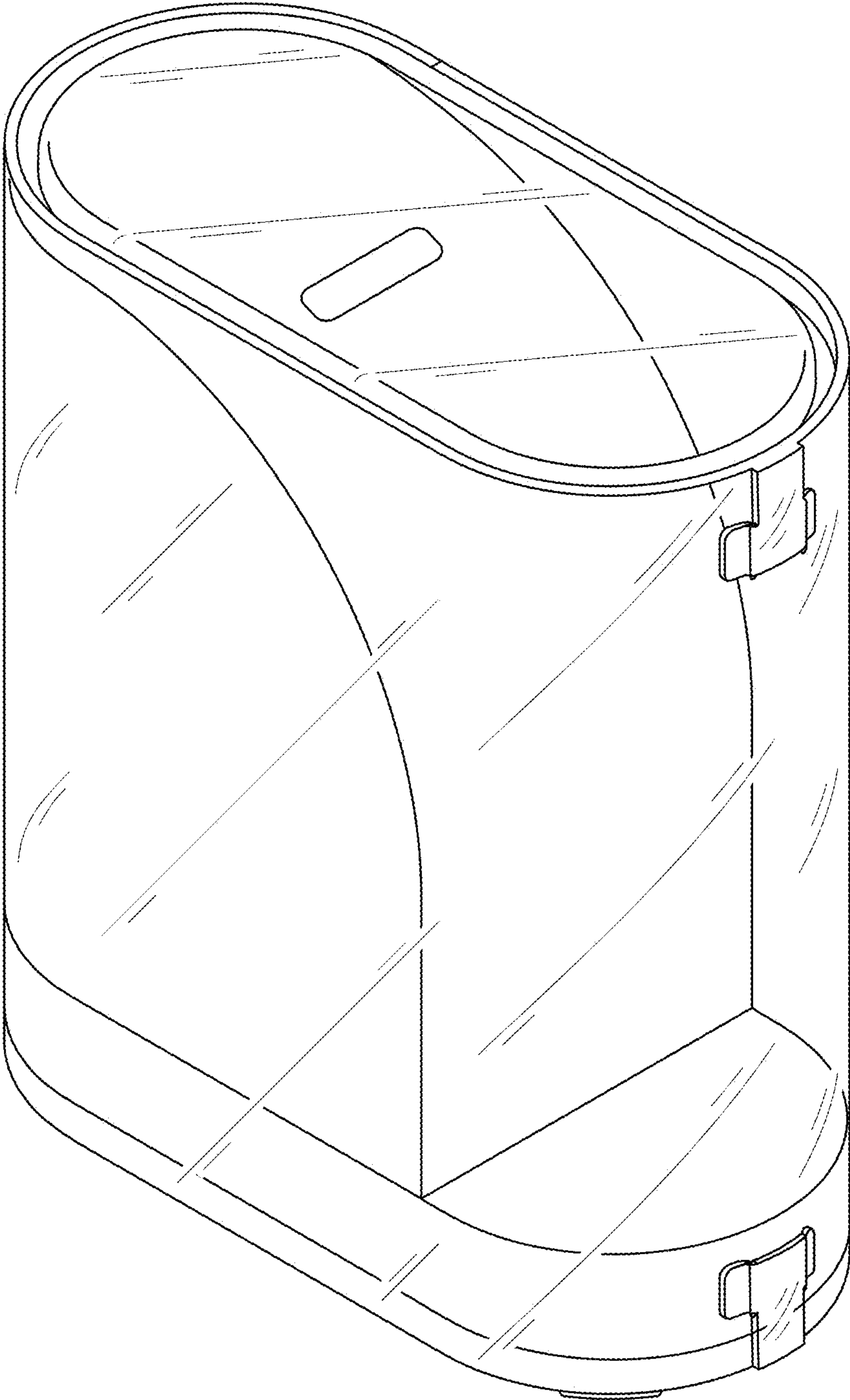


FIG. 2

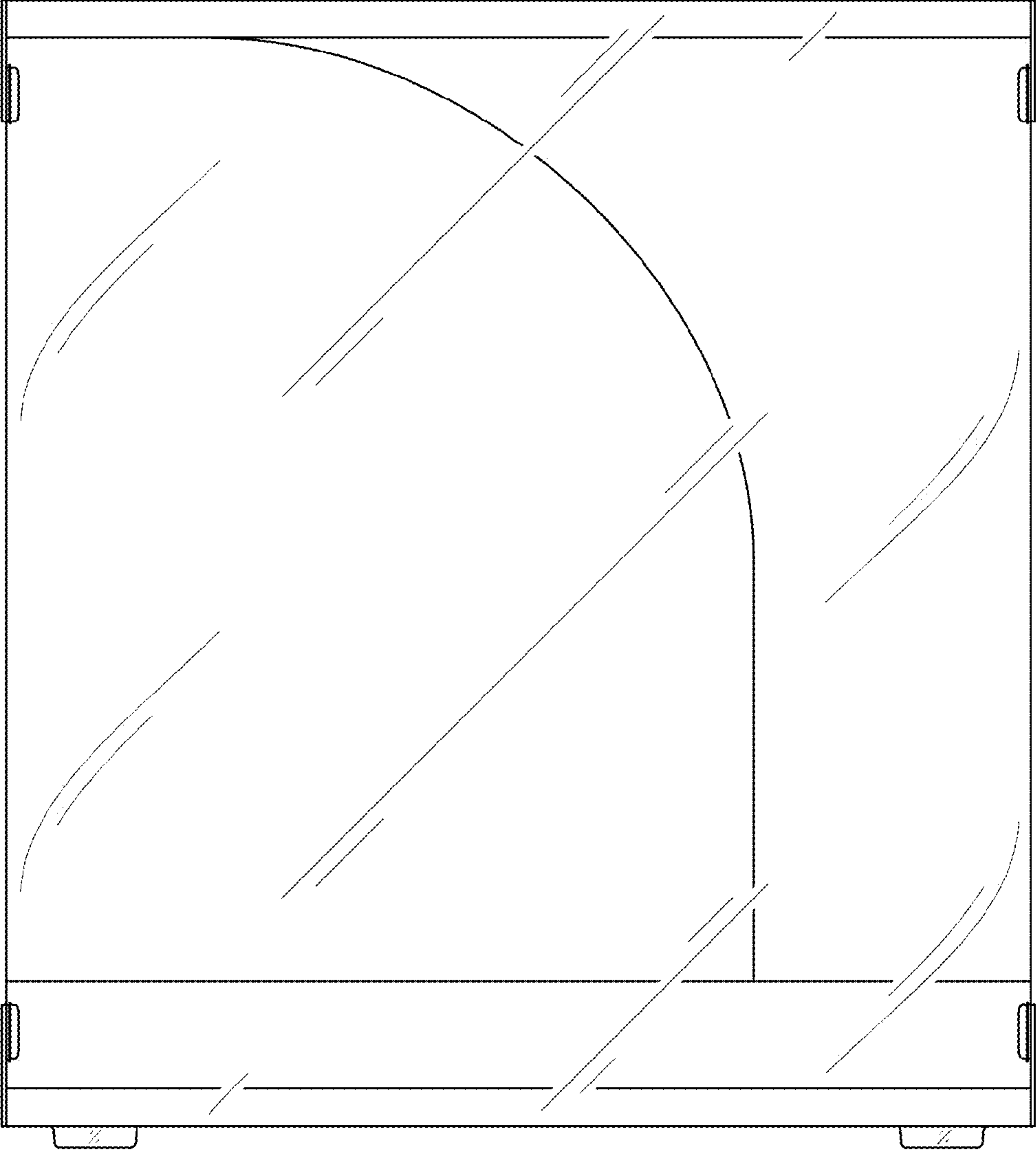


FIG. 3

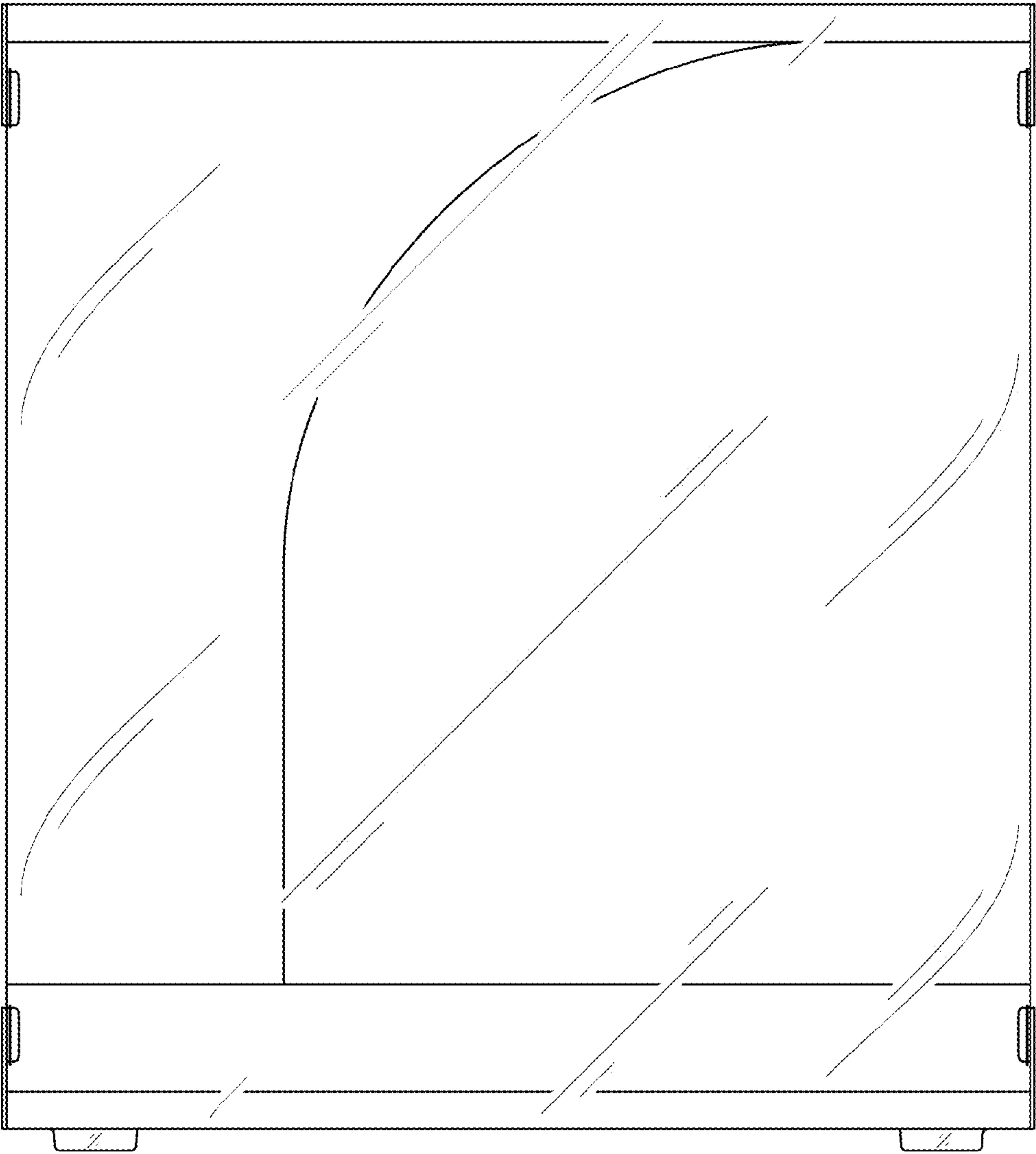


FIG. 4

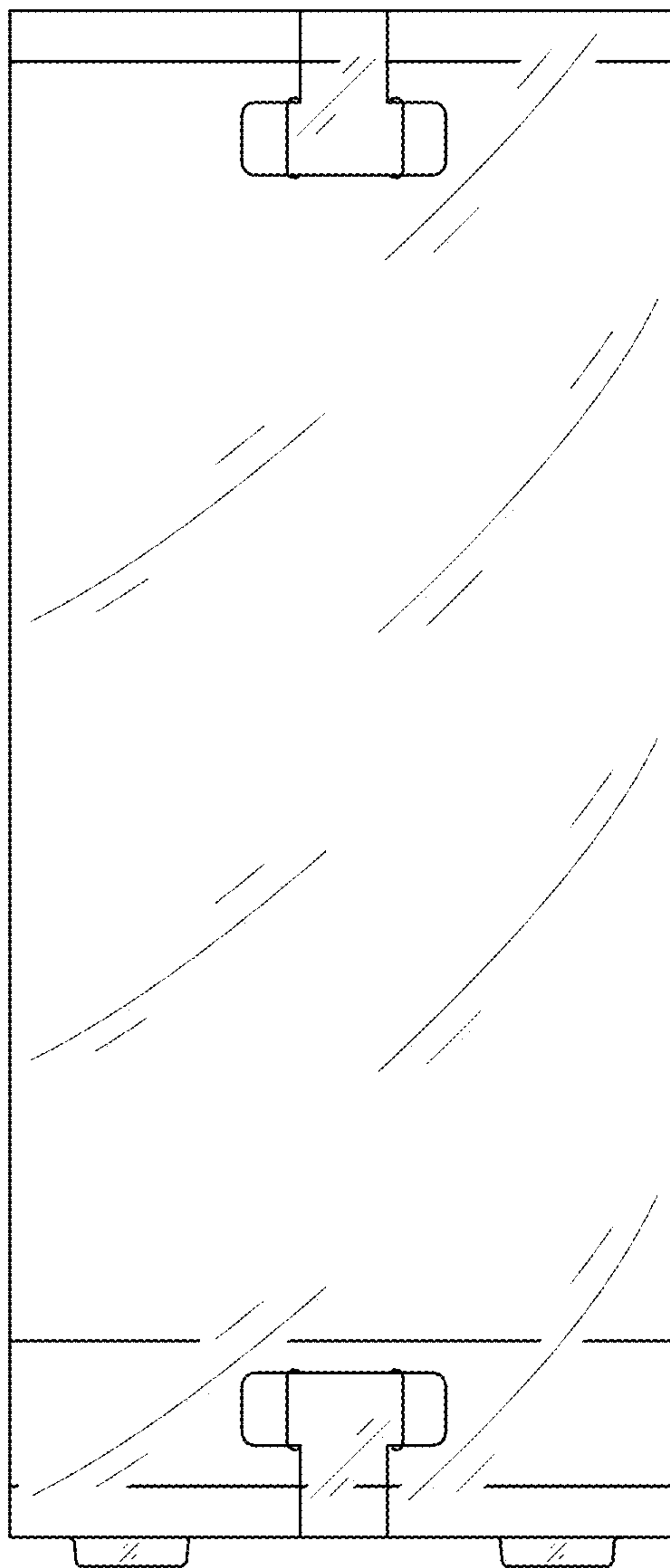


FIG. 5

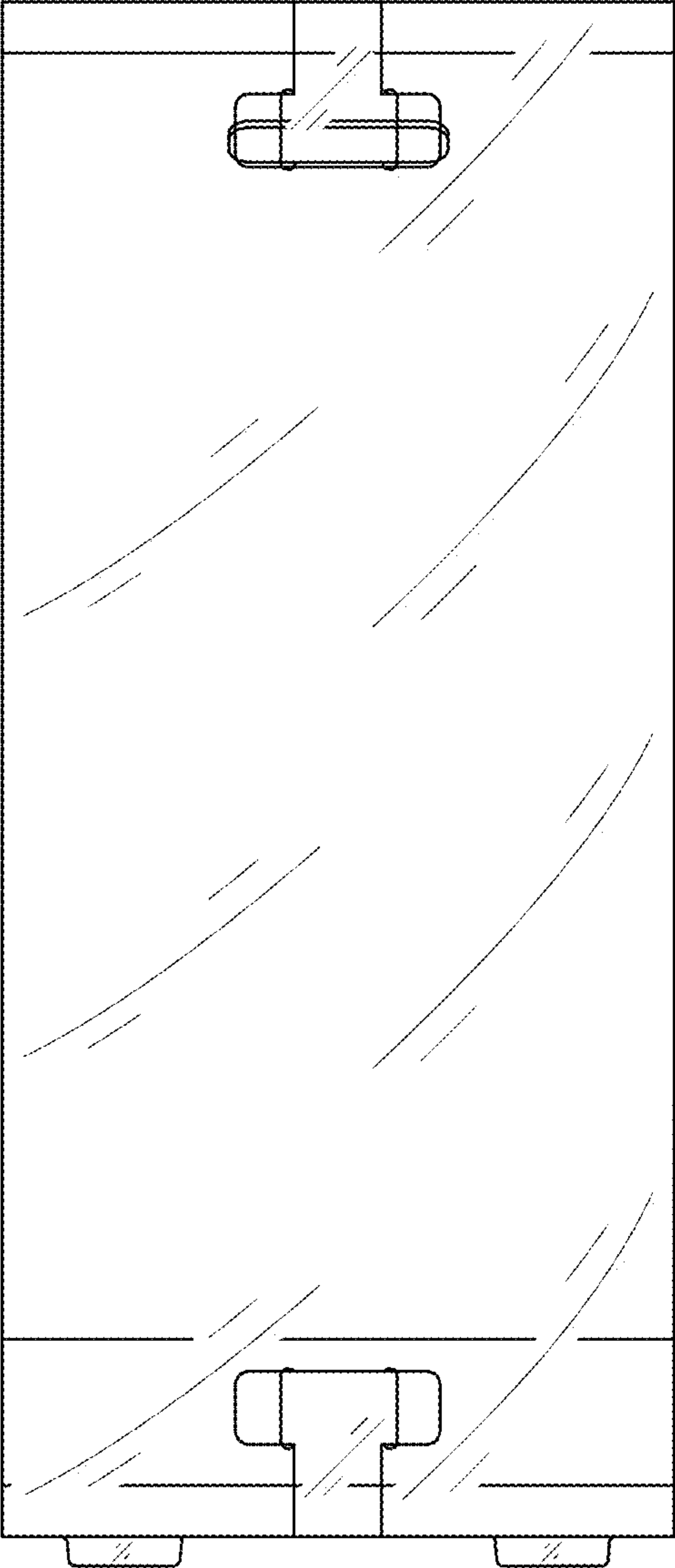




FIG. 6

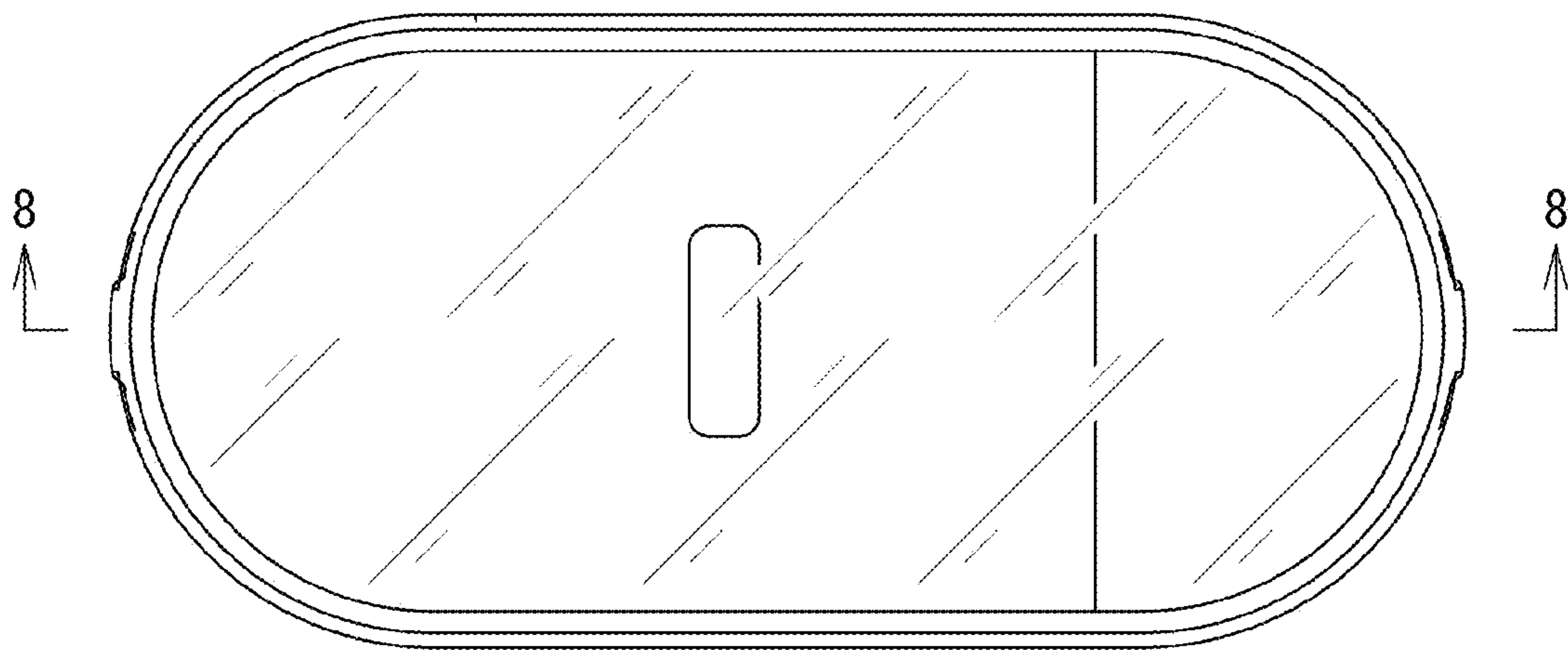


FIG. 7

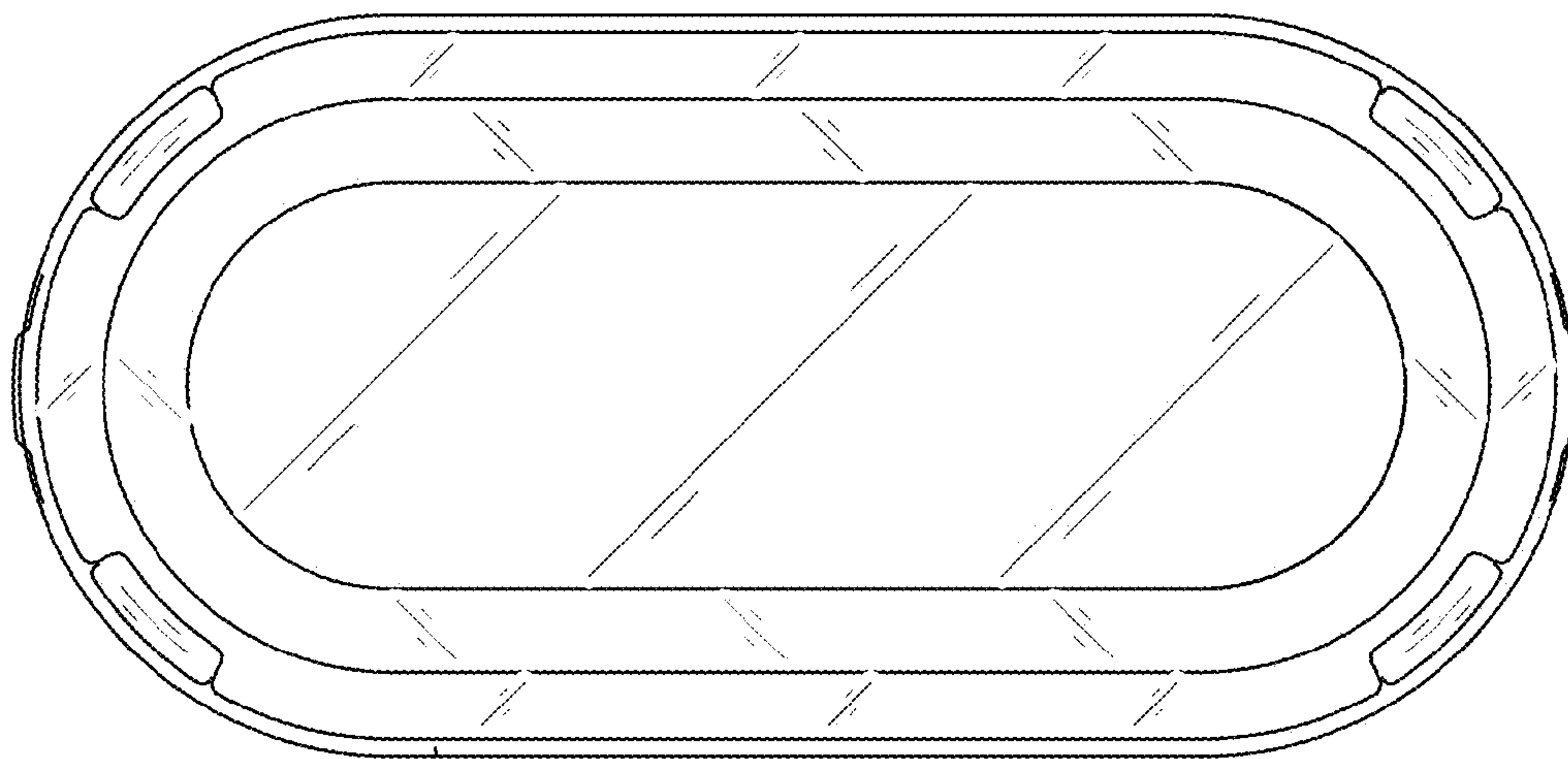




FIG. 8

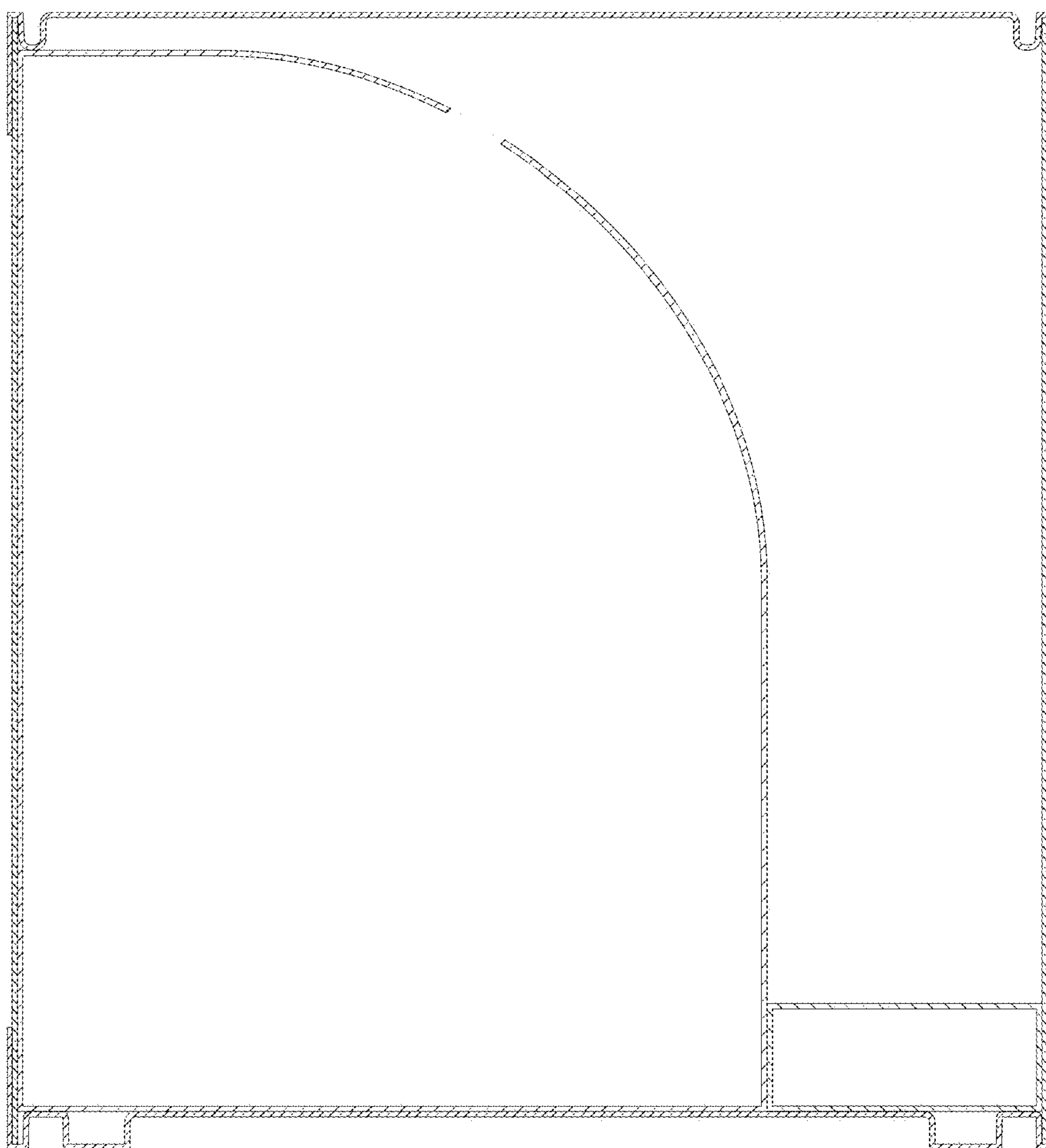


FIG. 9

