

US00D683617S

(12) **United States Design Patent**
Krumpe

(10) **Patent No.:** **US D683,617 S**
(45) **Date of Patent:** **** Jun. 4, 2013**

(54) **DOOR STOP**

(75) Inventor: **Geraint Krumpe**, Chicago, IL (US)

(73) Assignee: **Liberty Hardware Mfg. Corp.**,
Winston-Salem, NC (US)

(**) **Term:** **14 Years**

(21) Appl. No.: **29/422,172**

(22) Filed: **May 17, 2012**

(51) **LOC (9) Cl.** **08-09**

(52) **U.S. Cl.**
USPC **D8/402**

(58) **Field of Classification Search**
USPC D8/395, 400–404, 499; D9/456,
D9/614, 623, 628, 640, 673; 160/181; D21/385,
D21/418, 426, 430, 441, 447–449, 51, 499,
D21/582, 587, 593, 594, 621; 40/331, 599;
16/71, 82, 83, 375, 342, 85, 86 B; D28/91.1,
D28/38, 39; D11/36, 32, 53, 78.1, 101, 113,
D11/136, 150, 160, 162; D6/332; D20/19,
D20/42, 43; D19/34.1, 34.5
See application file for complete search history.

(56) **References Cited**

U.S. PATENT DOCUMENTS

D113,238 S *	2/1939	Reighard	D21/621
D114,199 S *	4/1939	Rettenmeyer	D20/31
D131,540 S *	3/1942	Phillips	D21/621
D213,406 S *	2/1969	Davis	D6/453
D243,029 S *	1/1977	Crew	D21/437
D290,381 S *	6/1987	Wisber	D21/631
D360,001 S *	7/1995	Sheldon	D21/636
D419,309 S *	1/2000	Leon	D6/305
D429,450 S *	8/2000	Hansen et al.	D7/634
D437,123 S *	2/2001	Leon	D6/305
D478,503 S *	8/2003	Vito	D8/499
D501,425 S *	2/2005	Hardy	D11/101
D532,707 S *	11/2006	Mombauer	D10/8

D553,196 S *	10/2007	Canon	D20/31
D568,407 S *	5/2008	Francis	D20/43
D620,319 S *	7/2010	Alexander et al.	D7/619.2
D669,527 S *	10/2012	Hammer et al.	D19/34.5
D671,602 S *	11/2012	Bradford	D21/621
2007/0113450 A1 *	5/2007	Santa Cruz et al.	40/608

OTHER PUBLICATIONS

Invothis Flexman, posted Jul. 12, 2012, [online], [site visited Dec. 14, 2012]. Available from Internet, <URL: www.sears.com/invothis-or1038-flexman-grey/p-SPM6306770503>.*

Little man under the door/People door stop, photo taken Mar. 3, 2011, [online], [site visited Dec. 14, 2012]. Available from Internet, <URL: www.flickr.com/photos/66268632@N02/6049015706/>.*

James the Doorstop, posted Oct. 20, 2010, [online], [site visited Dec. 14, 2012]. Available from Internet, <URL: http://www.gentlemensgoods.com/2010/10/james-the-doorstop/>.*

Humperdinks Dilemma Doorstop, published Jul. 30, 2008, [online], [site visited Dec. 14, 2012]. Available from Internet, <URL: www.coroflot.com/hughthomas/Humperdinks-Dilemma-Doorstop/>.*

* cited by examiner

Primary Examiner — George D Kirschbaum

Assistant Examiner — Janice Hallmark

(74) *Attorney, Agent, or Firm* — Lora J. Graentzdoerffer

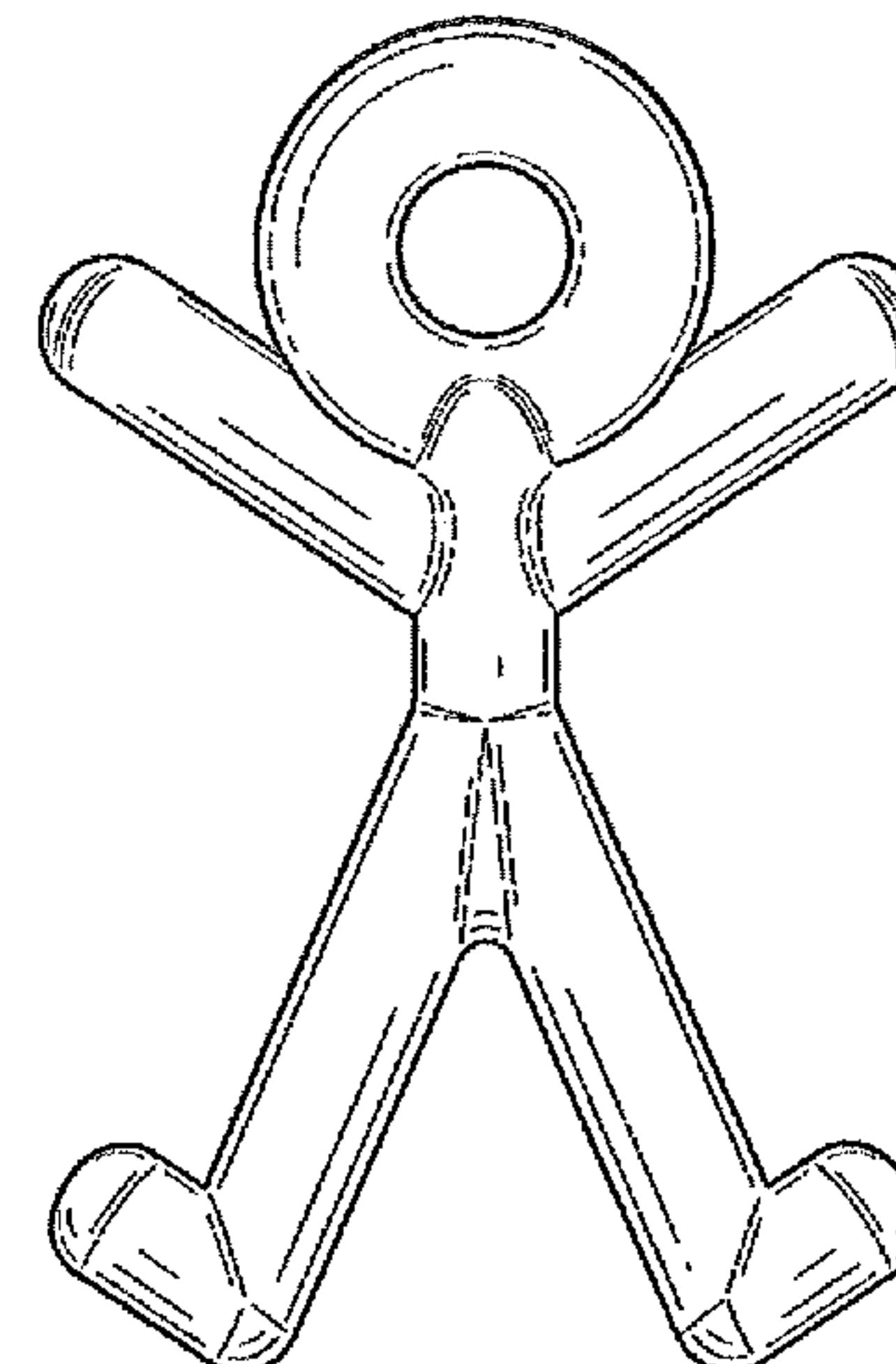
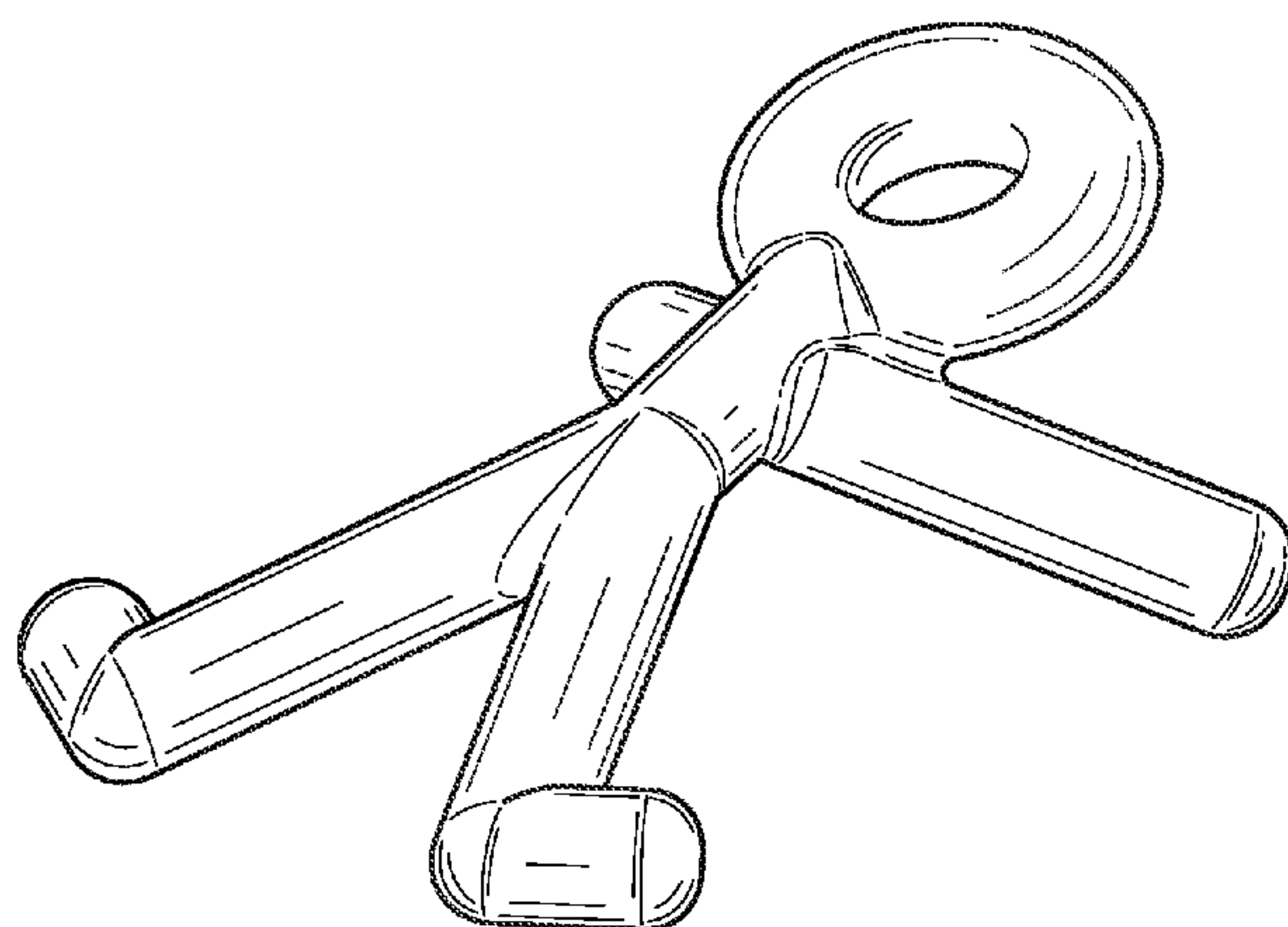
(57) **CLAIM**

The ornamental design for a door stop, as shown and described.

DESCRIPTION

FIG. 1 is a perspective view of a door stop;
FIG. 2 is a front elevational view thereof;
FIG. 3 is a rear elevational view thereof;
FIG. 4 is a top plan view thereof;
FIG. 5 is a bottom plan view thereof;
FIG. 6 is a right side elevational view thereof; and,
FIG. 7 is a left side elevational view thereof.

1 Claim, 6 Drawing Sheets



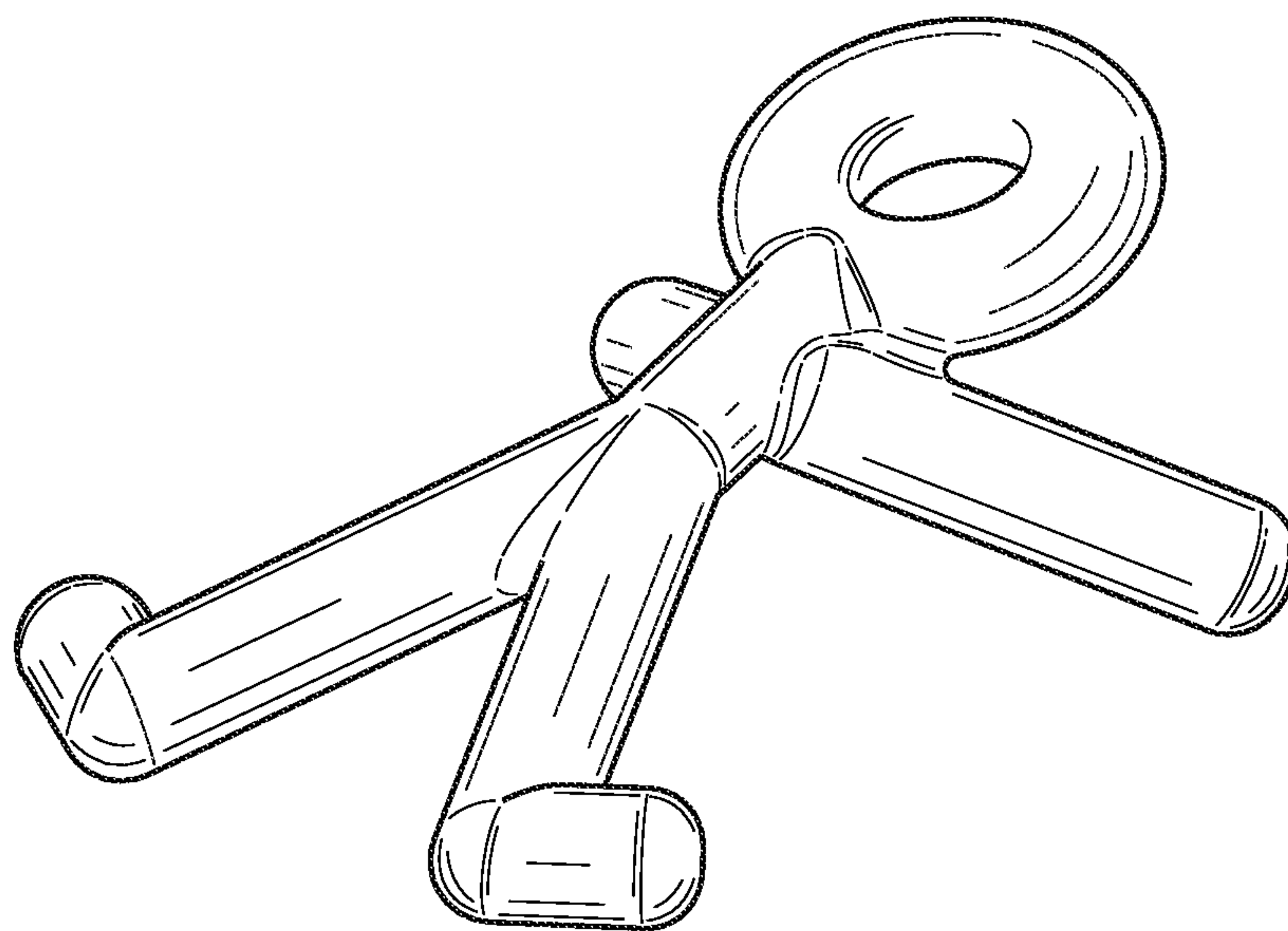


FIG. 1

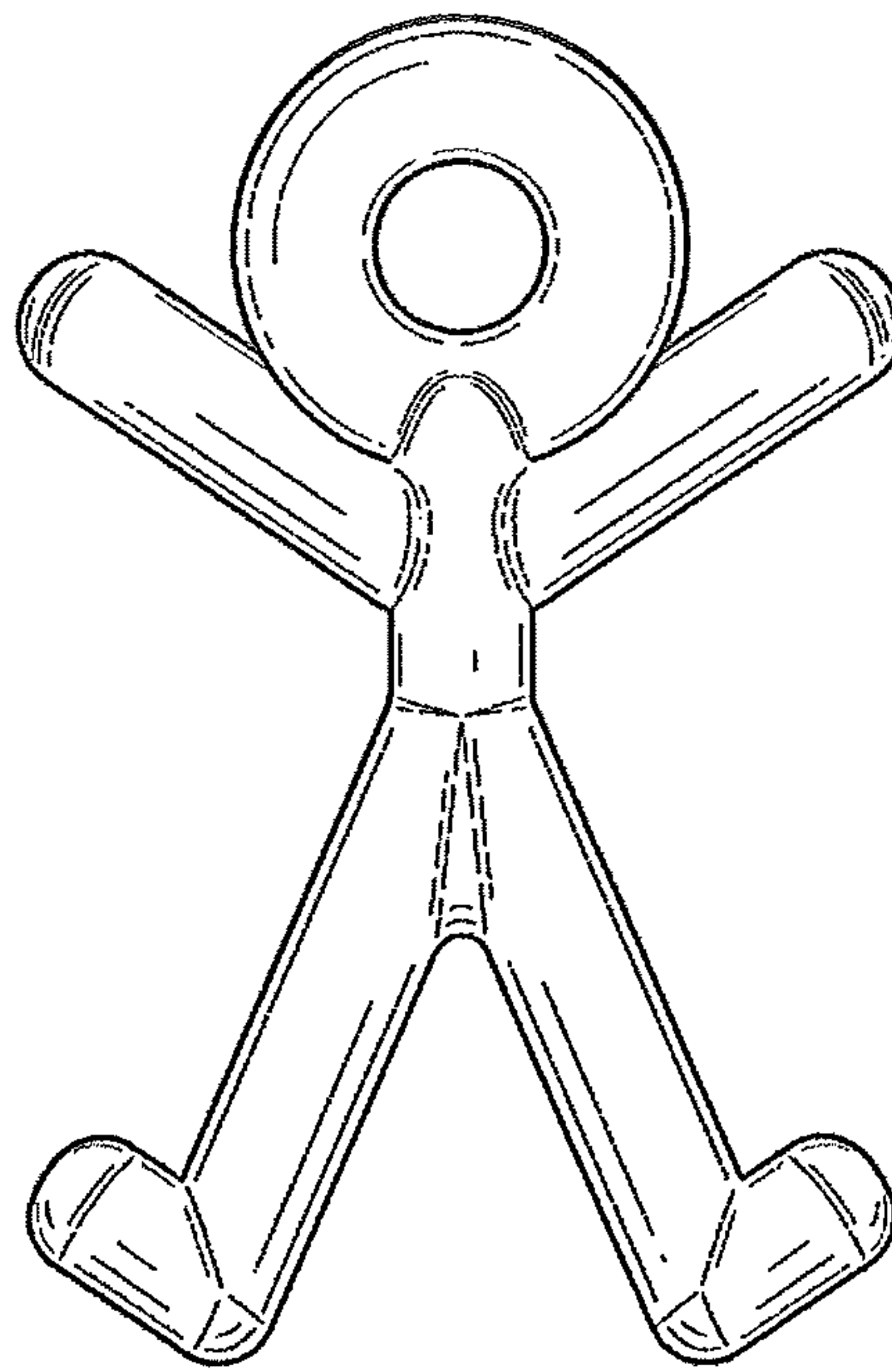


FIG. 2

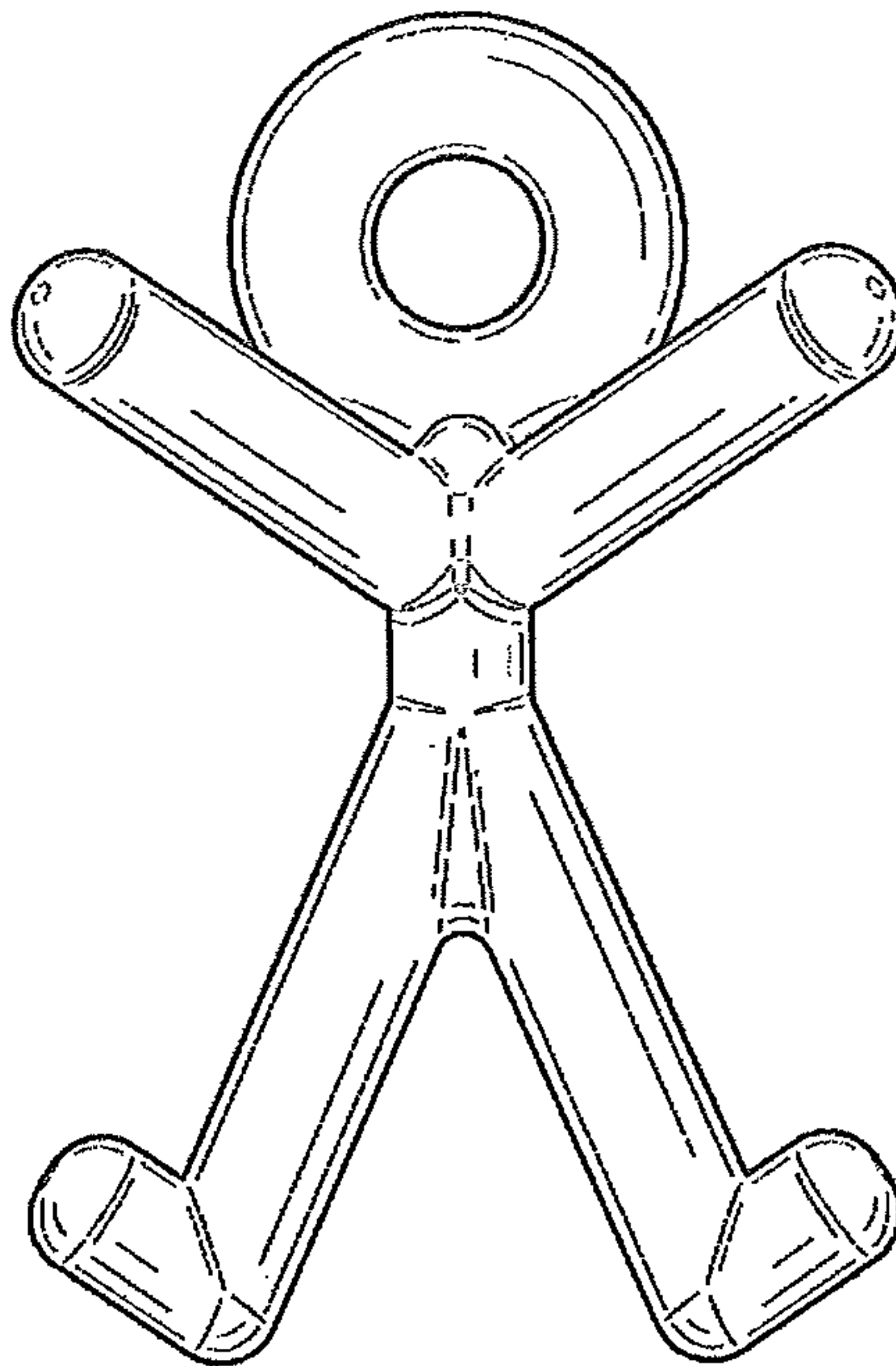


FIG. 3

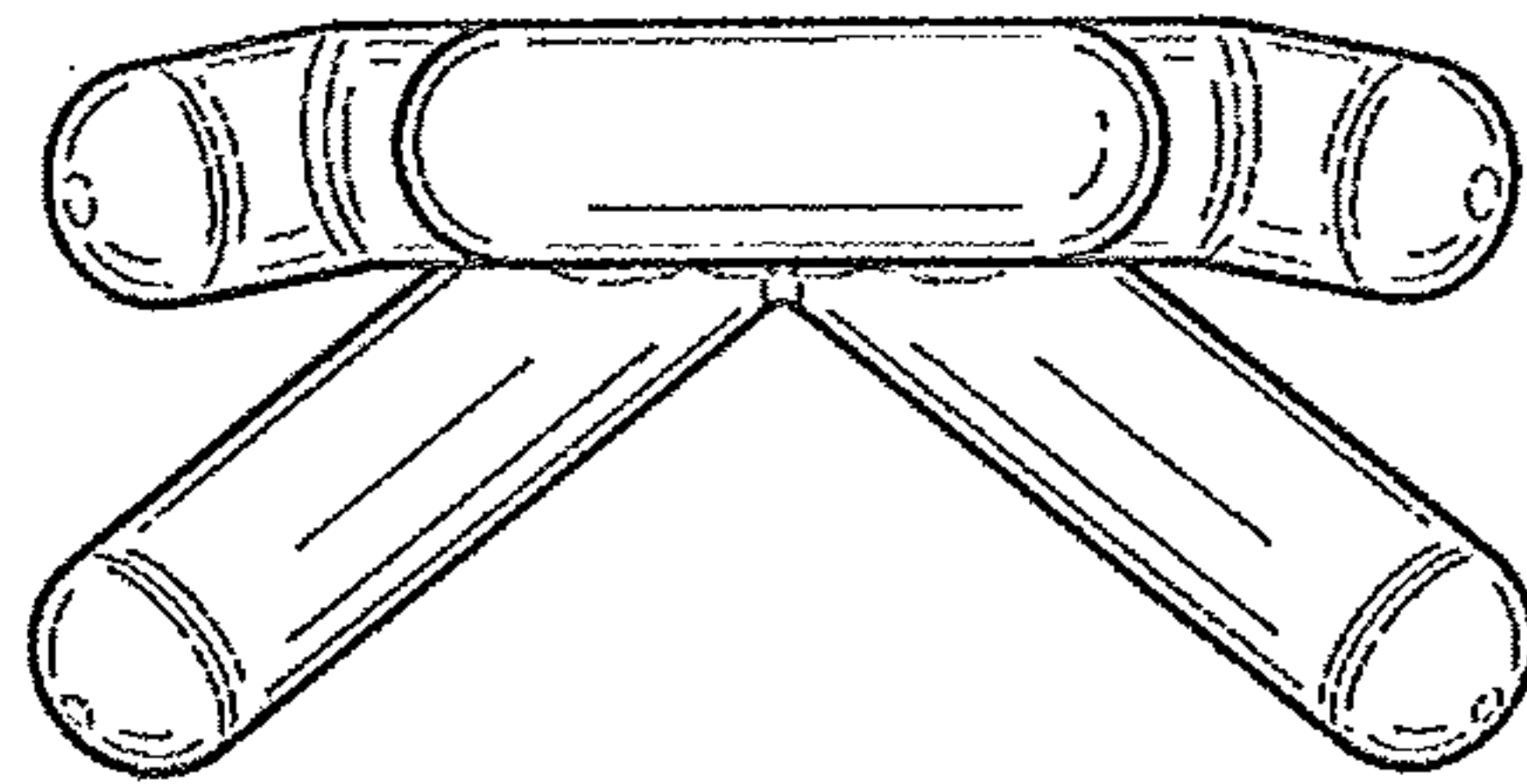


FIG. 4

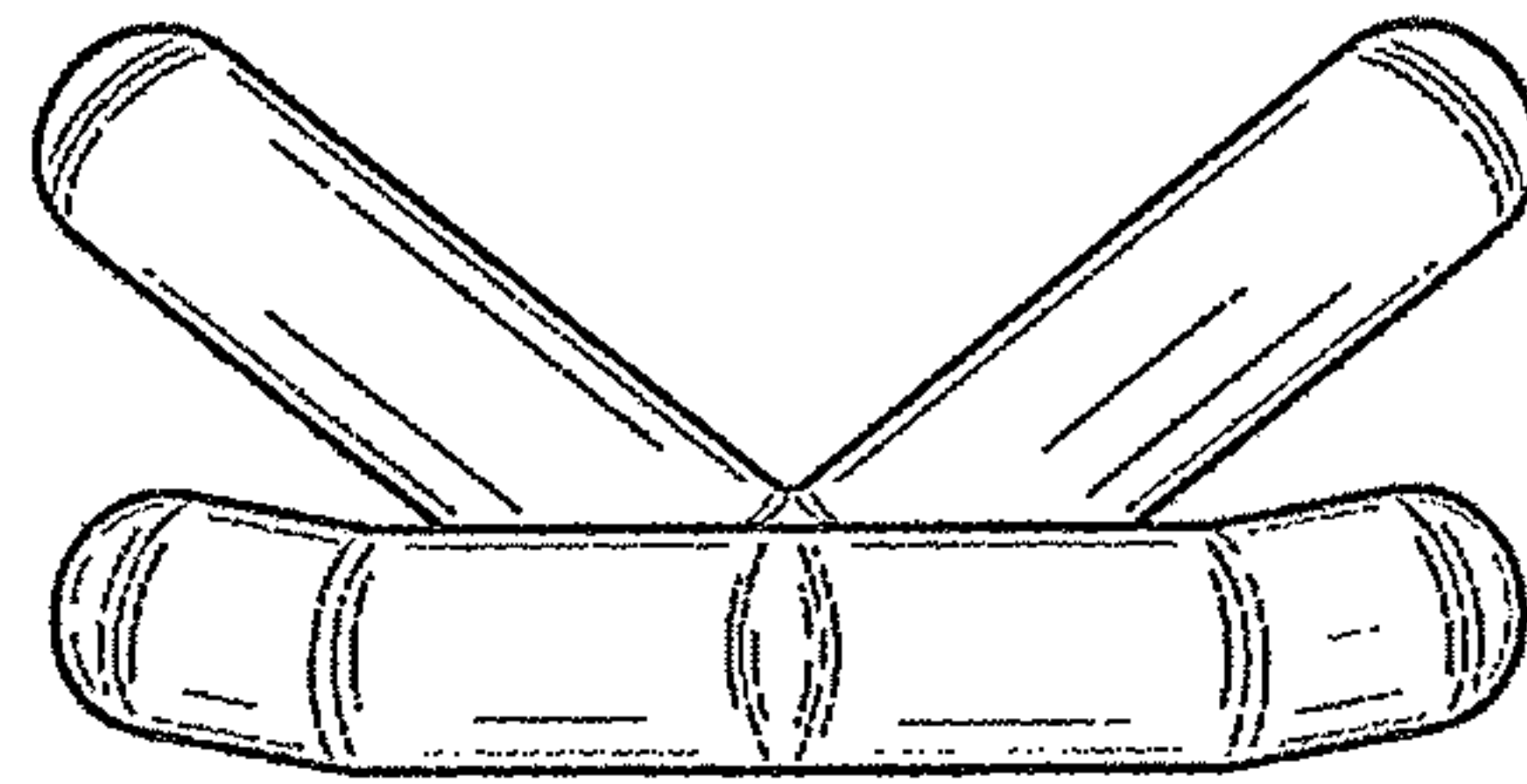


FIG. 5

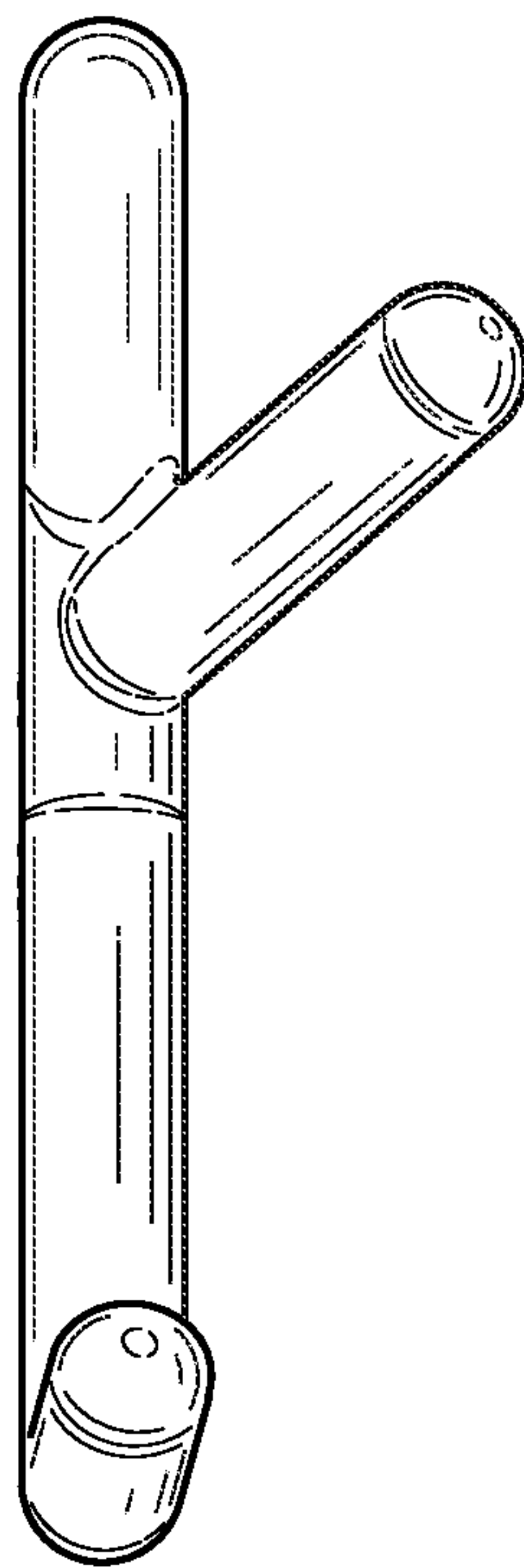


FIG. 6

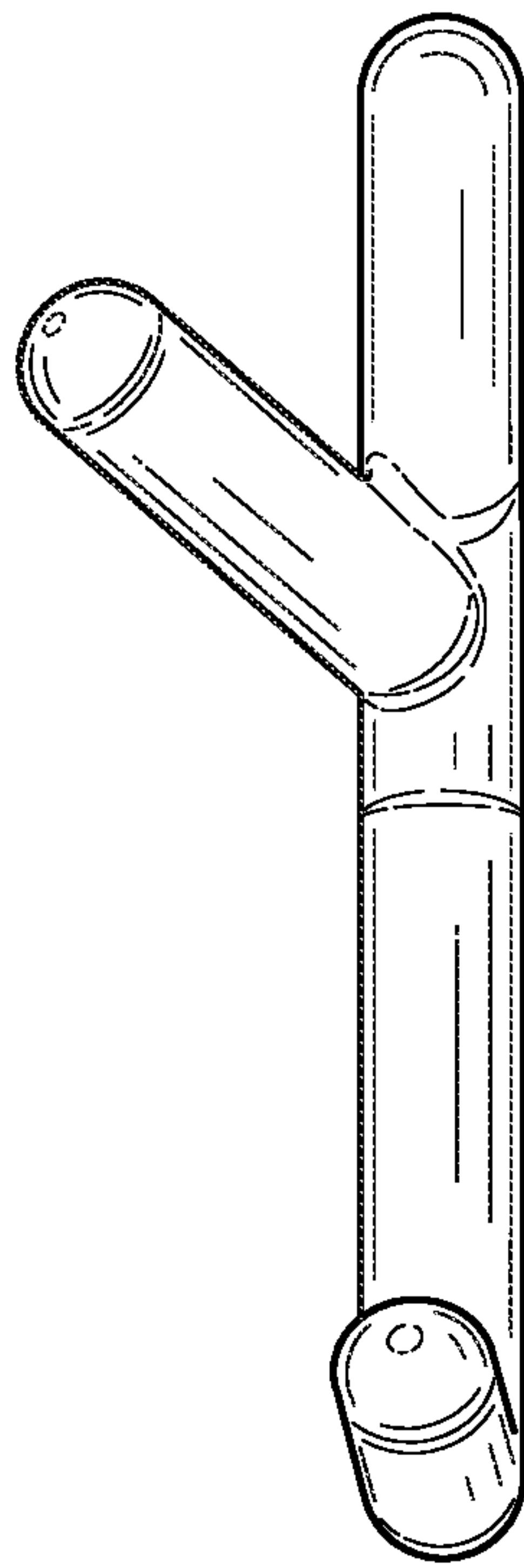


FIG. 7