



US00D683616S

(12) **United States Design Patent**
Noumi et al.

(10) **Patent No.:** **US D683,616 S**
(45) **Date of Patent:** **** Jun. 4, 2013**

(54) **WINDING CORE**

(75) Inventors: **Shunsuke Noumi**, Osaka (JP);
Shunichiro Sayanagi, Osaka (JP)

(73) Assignee: **Nitto Denko Corporation**, Osaka (JP)

(**) Term: **14 Years**

(21) Appl. No.: **29/430,379**

(22) Filed: **Aug. 24, 2012**

Related U.S. Application Data

(62) Division of application No. 29/386,259, filed on Feb. 25, 2011, now Pat. No. Des. 668,527.

(30) **Foreign Application Priority Data**

Aug. 27, 2010 (JP) 2010-020730
Aug. 27, 2010 (JP) 2010-020731
Aug. 27, 2010 (JP) 2010-020732
Dec. 21, 2010 (JP) 2010-030546

(51) **LOC (9) Cl.** **08-05**

(52) **U.S. Cl.**
USPC **D8/356**

(58) **Field of Classification Search**
USPC 248/68.1, 49, 51, 56, 60, 176.1, 304,
248/305, 339, 217.2; D8/356, 354, 349, 360,
D8/355, 361, 362, 366, 367, 380, 373, 377,
D8/395; D13/155; D6/512; D14/432, 217,
D14/299; 411/431, 372.5; D18/34.9, 56;
24/698; 294/16; 138/106

See application file for complete search history.

(56) **References Cited**

U.S. PATENT DOCUMENTS

429,041 A 5/1890 Lynch
2,831,948 A 4/1958 Fraser
3,540,669 A 11/1970 Schmidt et al.
3,579,859 A 5/1971 Malenge
4,185,125 A 1/1980 Sakakibara et al.

(Continued)

FOREIGN PATENT DOCUMENTS

JP S47-2810 B 1/1972
JP 1-162467 U 11/1989

(Continued)

OTHER PUBLICATIONS

Nippo Co., Ltd., Food Packaging Magazine, Feb. 2009 Issue No. 679,
Lotus Core, Design No. HA20011945, Feb. 10, 2009, 4 pages, Japan.

Primary Examiner — Cynthia Underwood

(74) *Attorney, Agent, or Firm* — Dennis R. Haszko

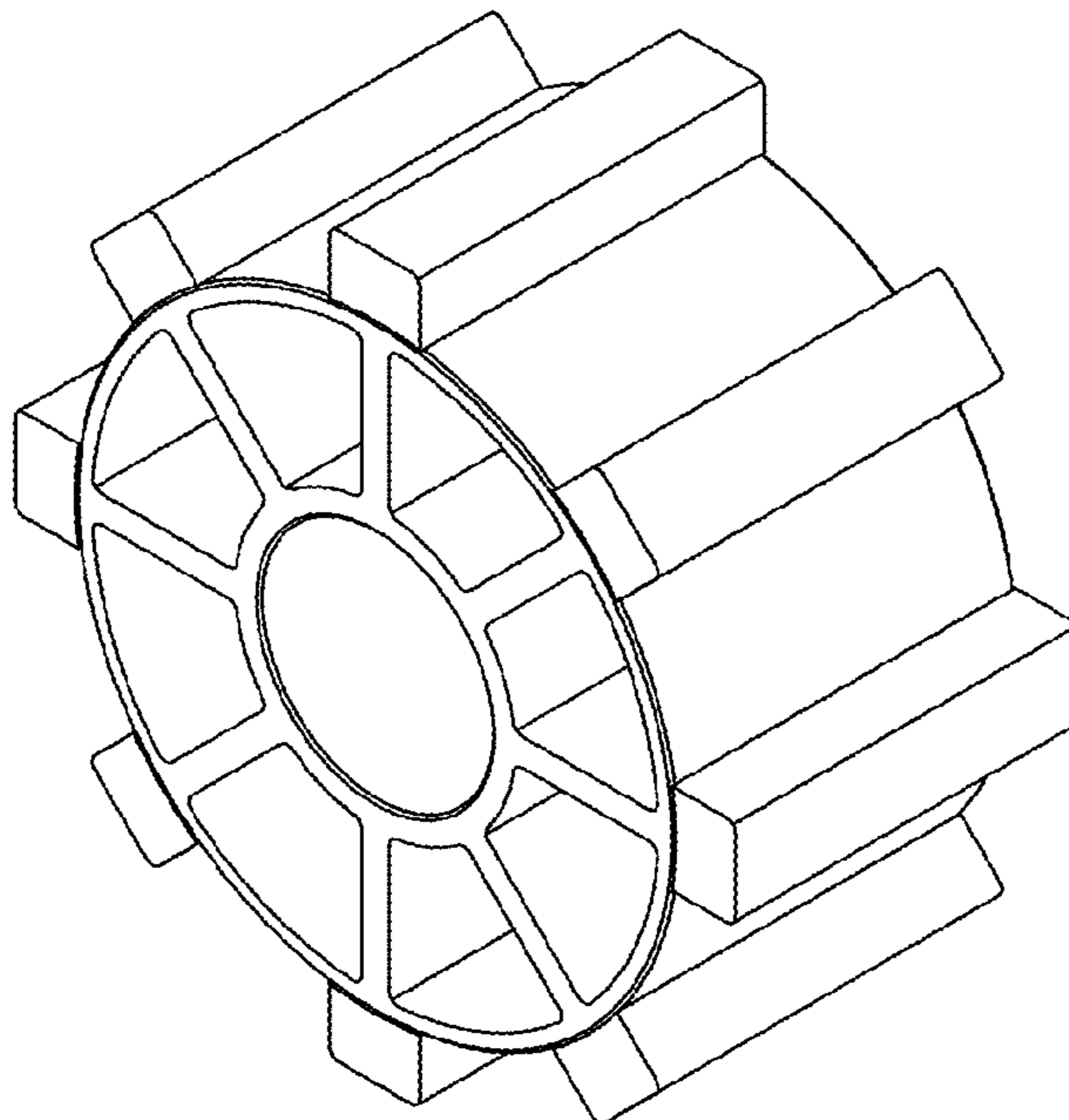
(57) **CLAIM**

The ornamental design for a winding core, as shown and described.

DESCRIPTION

FIG. 1 is a perspective view of the winding core;
FIG. 2 is a front view thereof;
FIG. 3 is a plan view thereof;
FIG. 4 is a right side view thereof;
FIG. 5 is a sectional view thereof taken at 5-5 of FIG. 3; and,
FIG. 6 is a perspective view shown in an environment of use.
The portions shown in broken lines do not form part of the claimed design.

1 Claim, 3 Drawing Sheets



US D683,616 S

Page 2

U.S. PATENT DOCUMENTS

5,070,597 A 12/1991 Holt et al.
D372,419 S * 8/1996 Ikegami D8/382
5,943,836 A 8/1999 Kassardjian
6,189,575 B1 2/2001 Ions et al.
6,204,584 B1 3/2001 Muszynski
D513,471 S 1/2006 Sato et al.
D534,416 S * 1/2007 Kelleghan D8/356
D549,753 S 8/2007 Kanemitsu
7,364,111 B2 4/2008 Schleucher
D571,192 S * 6/2008 Stomp et al. D8/356
D572,578 S * 7/2008 Sato et al. D8/382
D587,559 S * 3/2009 Jones et al. D8/349
D601,879 S * 10/2009 Kim et al. D8/356

D640,527 S * 6/2011 Hoek D8/356
D641,611 S * 7/2011 Minayoshi D8/354
D653,523 S * 2/2012 Wackwitz et al. D8/354
D655,598 S * 3/2012 Hsu D8/356
D670,153 S * 11/2012 Wu D8/356
D674,271 S * 1/2013 Rodwin D8/356
2005/0076602 A1 4/2005 Routhier

FOREIGN PATENT DOCUMENTS

JP 2-108981 U 8/1990
JP 2004-106225 A 4/2004
JP 2005-298094 A 10/2005

* cited by examiner

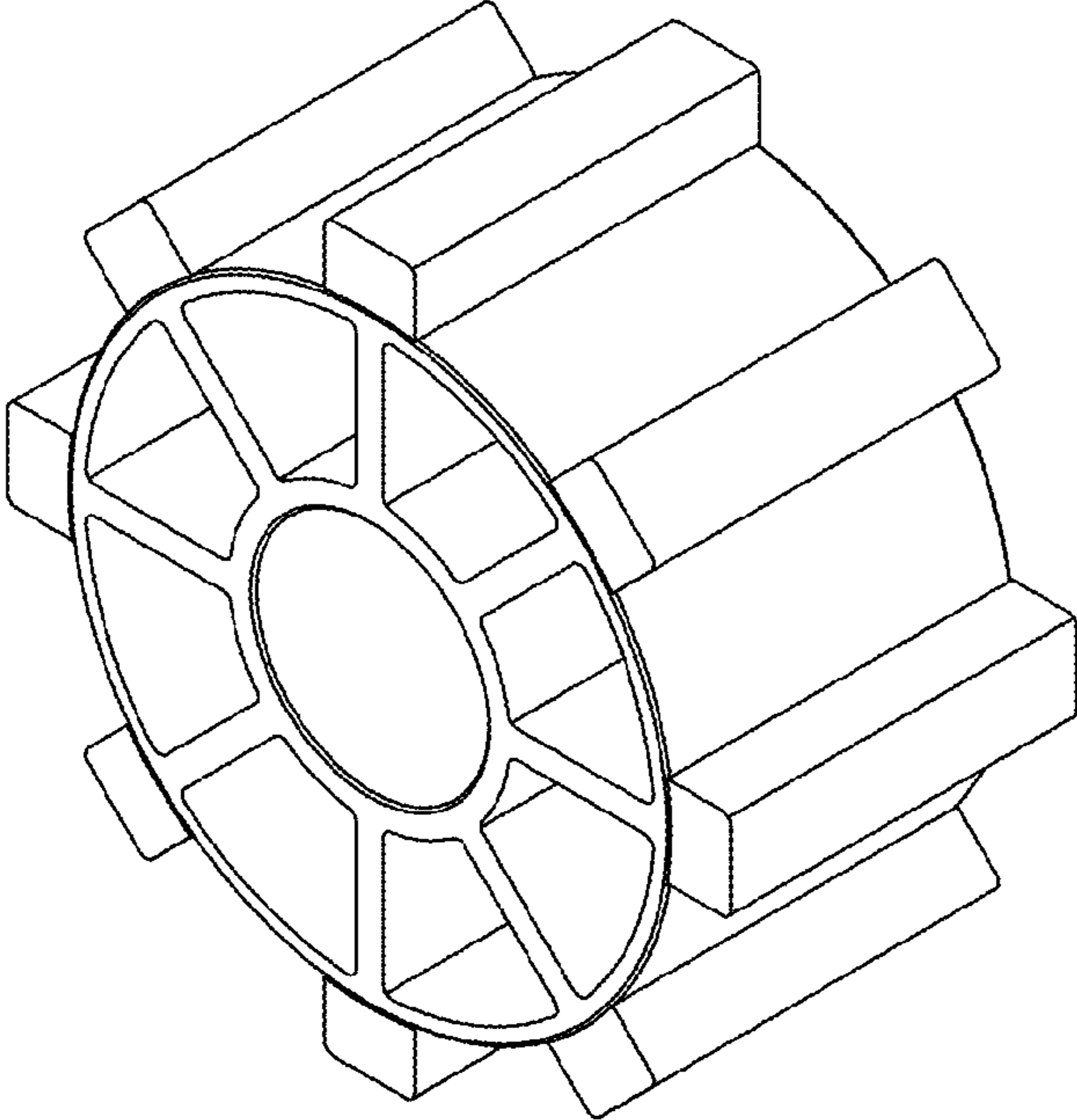


FIG. 1

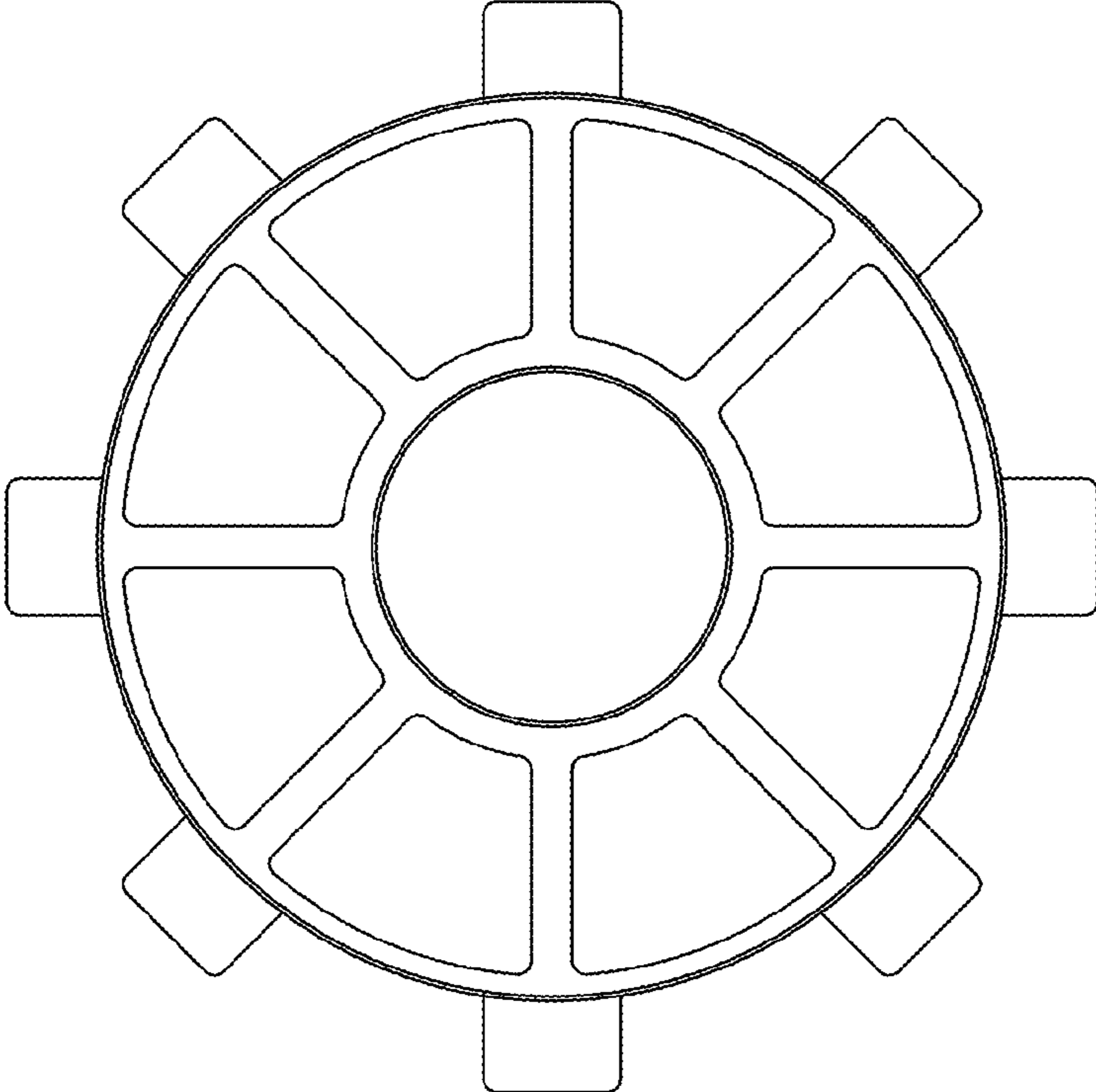


FIG. 2

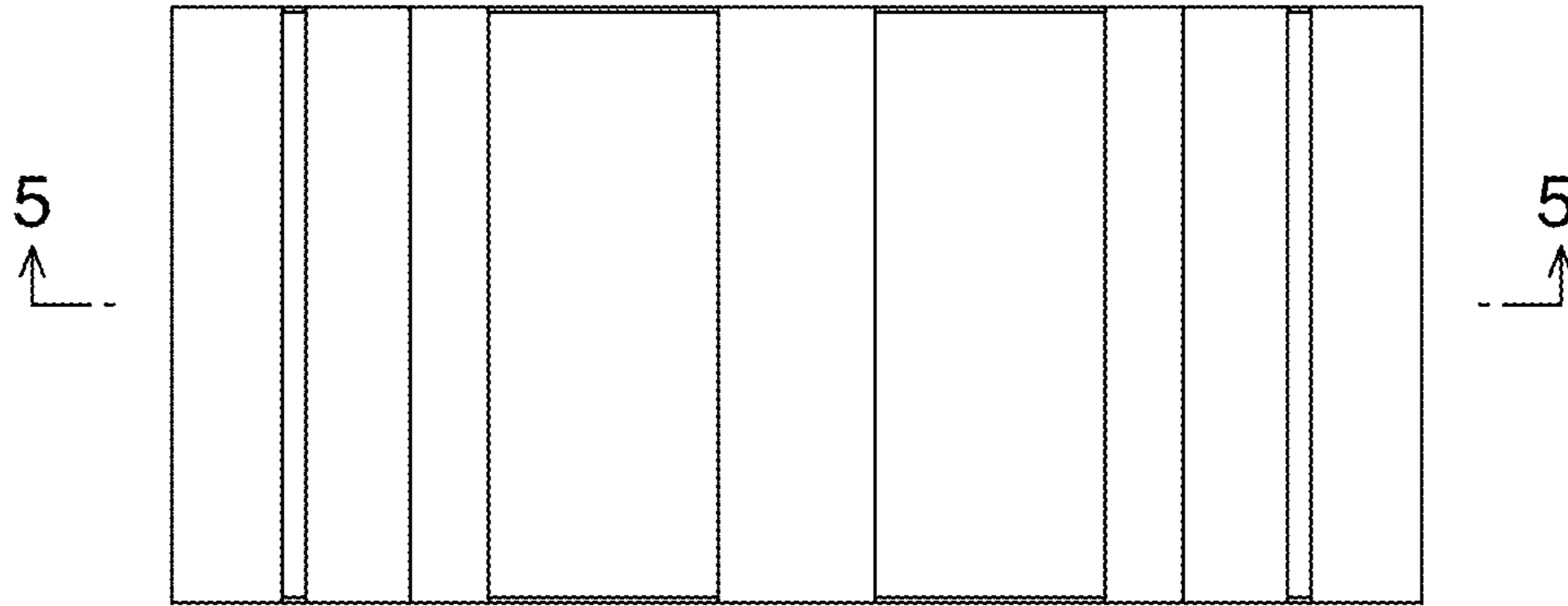


FIG.3

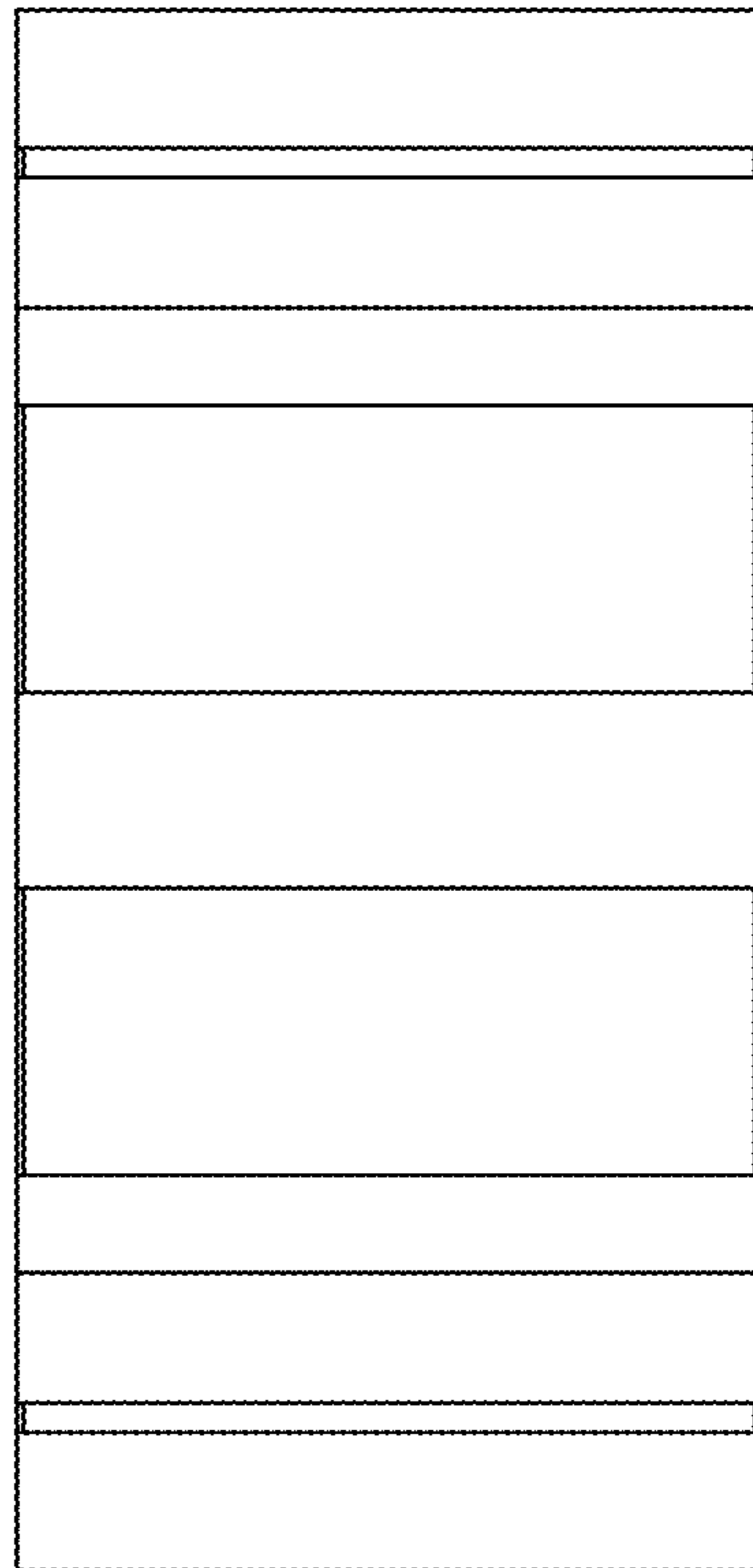


FIG.4

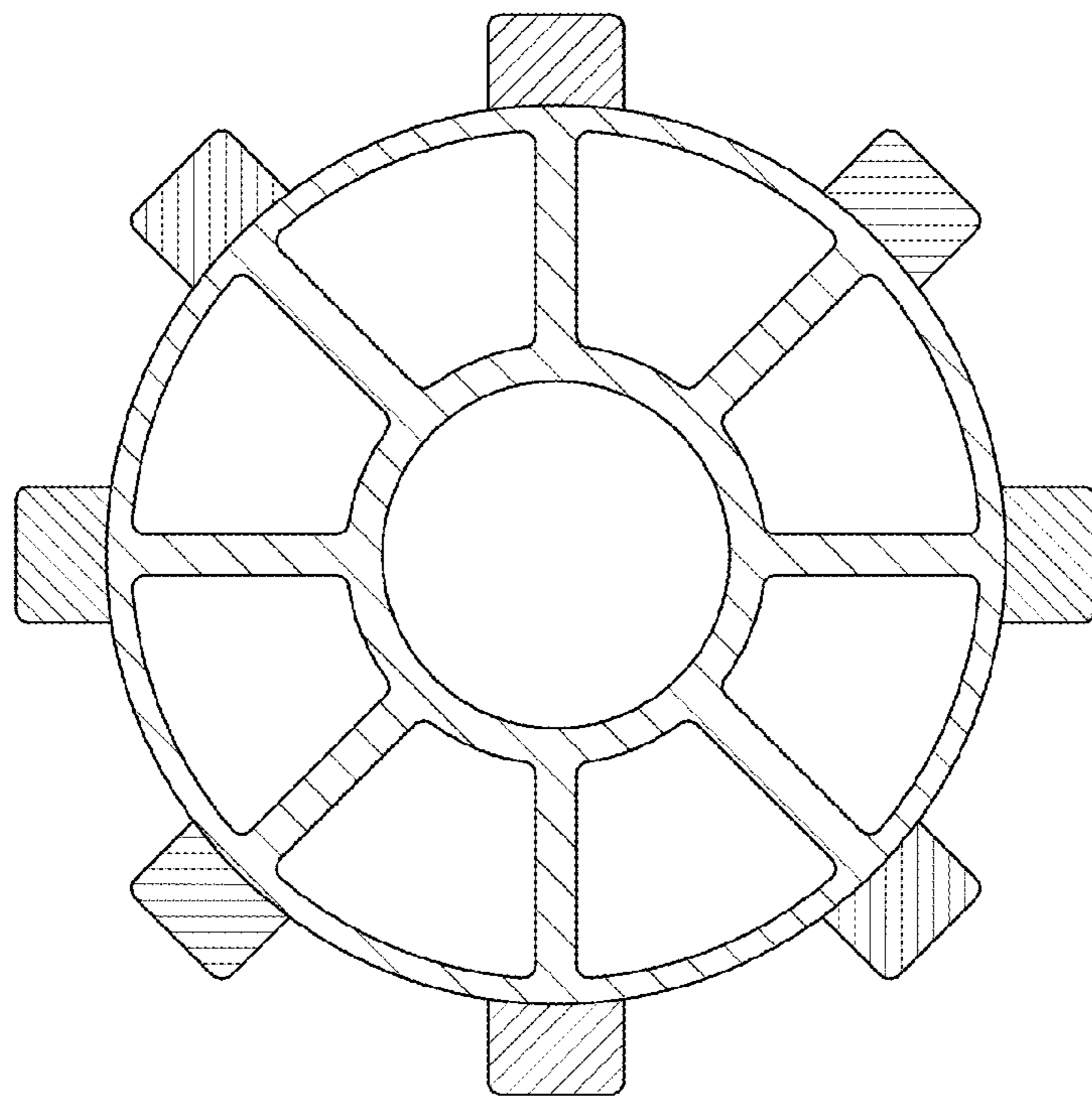


FIG. 5

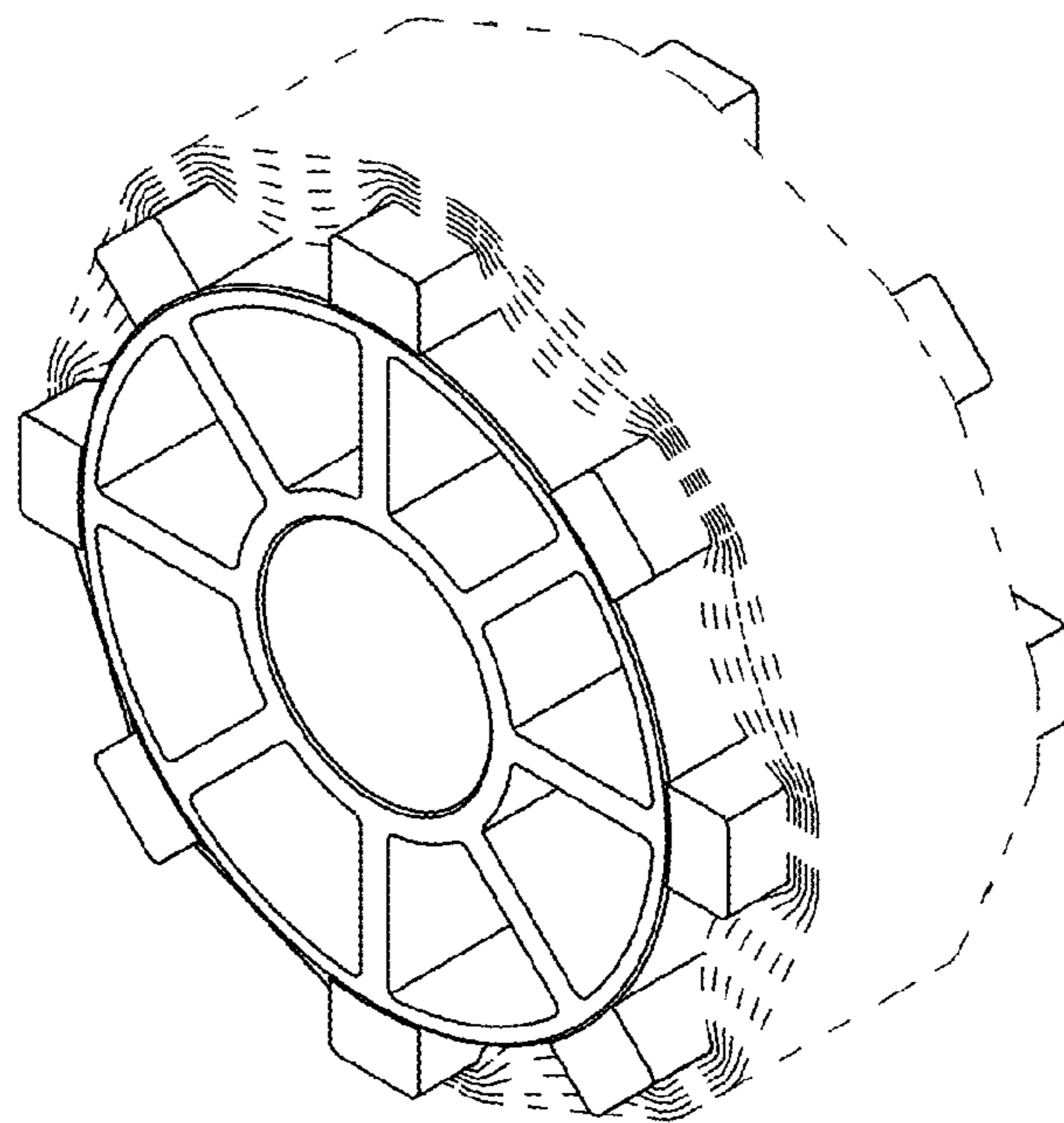


FIG. 6