



US00D683614S

(12) **United States Design Patent**  
**Toimil et al.**

(10) **Patent No.:** **US D683,614 S**

(45) **Date of Patent:** **\*\* \*Jun. 4, 2013**

(54) **INTERCHANGEABLE SELF-LOCKING  
SPRING LOADED QUICK CONNECT  
APPARATUS FOR CABLE**

(75) Inventors: **Andrew G. Toimil**, Sonoma, CA (US);  
**George Shevchuk**, San Francisco, CA  
(US)

(73) Assignee: **Feeney, Inc.**, Oakland, CA (US)

(\*) Notice: This patent is subject to a terminal disclaimer.

(\*\*) Term: **14 Years**

(21) Appl. No.: **29/376,911**

(22) Filed: **Oct. 13, 2010**

(51) **LOC (9) Cl.** ..... **08-05**

(52) **U.S. Cl.**  
USPC ..... **D8/356**

(58) **Field of Classification Search**  
USPC ..... D8/367, 356, 371, 373, 354, 355,  
D8/349; D6/323; 248/215, 301, 339, 349.1;  
160/349.2; 24/265 H, 265 R, 599.1, 599.8,  
24/113 R, 573.5; 294/82.18; 29/525.1, 45.3;  
223/106; D14/432, 140, 217  
See application file for complete search history.

(56) **References Cited**

**U.S. PATENT DOCUMENTS**

835,406 A \* 11/1906 Dawson ..... 403/272  
D130,509 S \* 11/1941 Shanor ..... D8/349

3,038,558 A \* 6/1962 Plummer ..... 184/16  
D385,476 S \* 10/1997 Hill ..... D8/356  
D447,930 S \* 9/2001 Larson ..... D8/354  
D578,966 S \* 10/2008 Grimm ..... D13/153  
D624,394 S \* 9/2010 Domek et al. .... D8/373  
D628,050 S \* 11/2010 Petersen et al. .... D8/356  
D628,461 S \* 12/2010 Stein et al. .... D8/356  
D653,100 S \* 1/2012 Chen ..... D8/356  
2009/0324188 A1 \* 12/2009 Berglund et al. .... 385/135

\* cited by examiner

*Primary Examiner* — Cynthia Underwood

(74) *Attorney, Agent, or Firm* — Cozen O'Connor

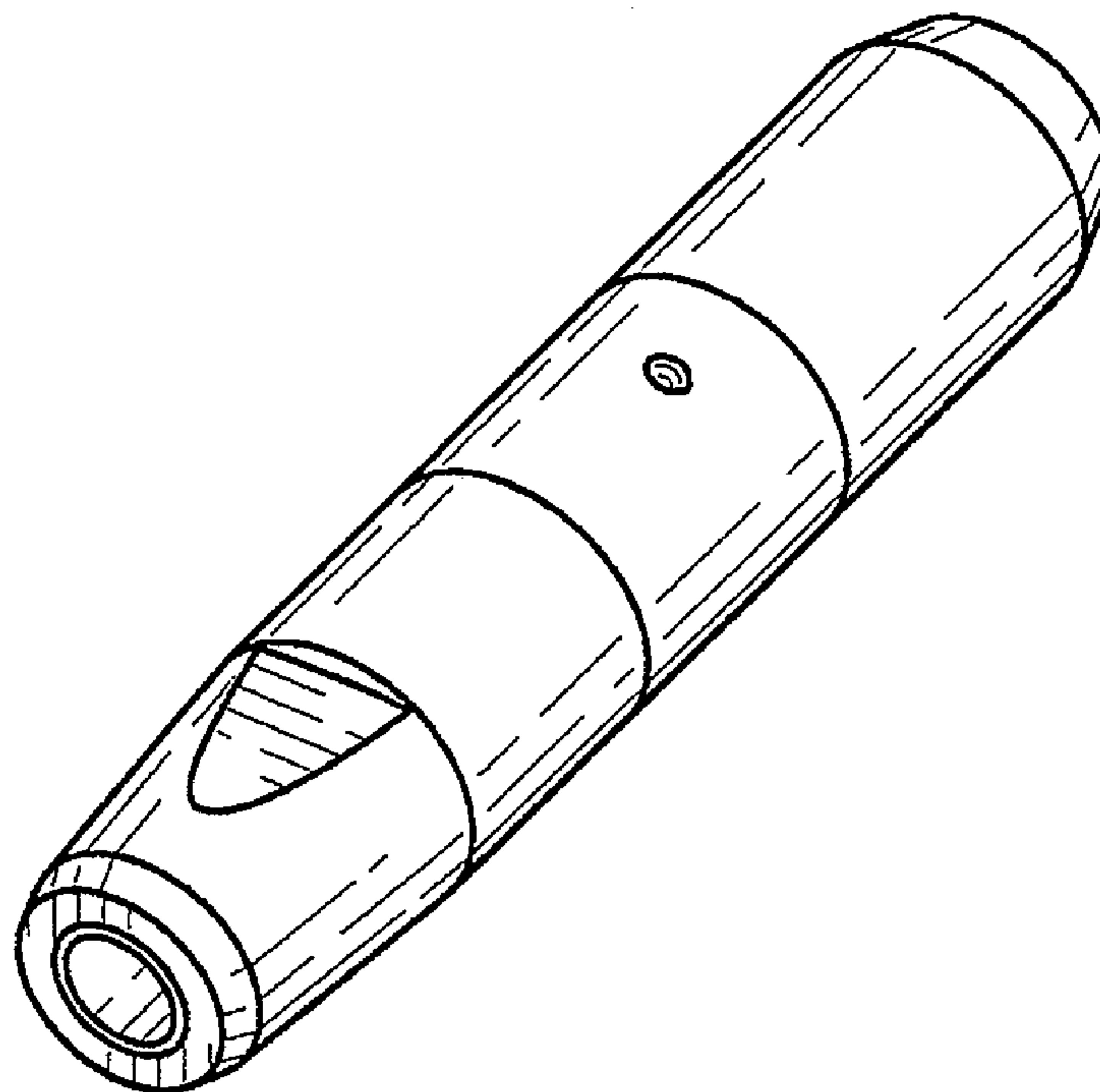
(57) **CLAIM**

The ornamental design for an interchangeable self-locking spring loaded quick connect apparatus for cable, as shown and described.

**DESCRIPTION**

FIG. 1 is a front, top, right side perspective view of an interchangeable self-locking spring loaded quick connect apparatus for cable embodying our new design;  
FIG. 2 is a rear, bottom, right side perspective view of the apparatus of FIG. 1;  
FIG. 3 is a front view of the apparatus of FIG. 1;  
FIG. 4 is a rear view thereof;  
FIG. 5 is a right side view of the apparatus of FIG. 1, the left side view being a mirror image thereof;  
FIG. 6 is a top plan view of the apparatus of FIG. 1; and,  
FIG. 7 is a bottom plan view of the apparatus of FIG. 1.

**1 Claim, 2 Drawing Sheets**



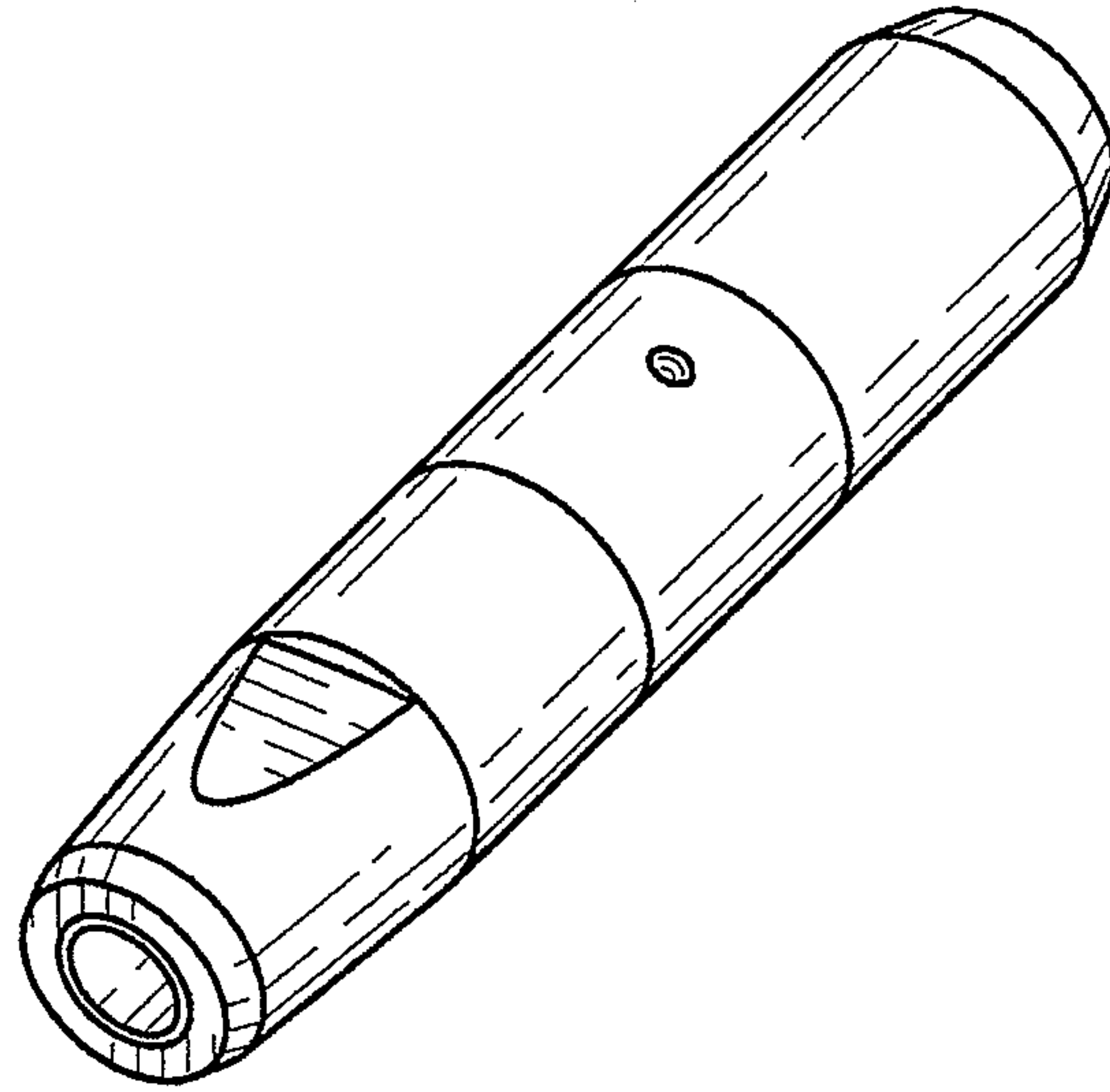


FIG. 1

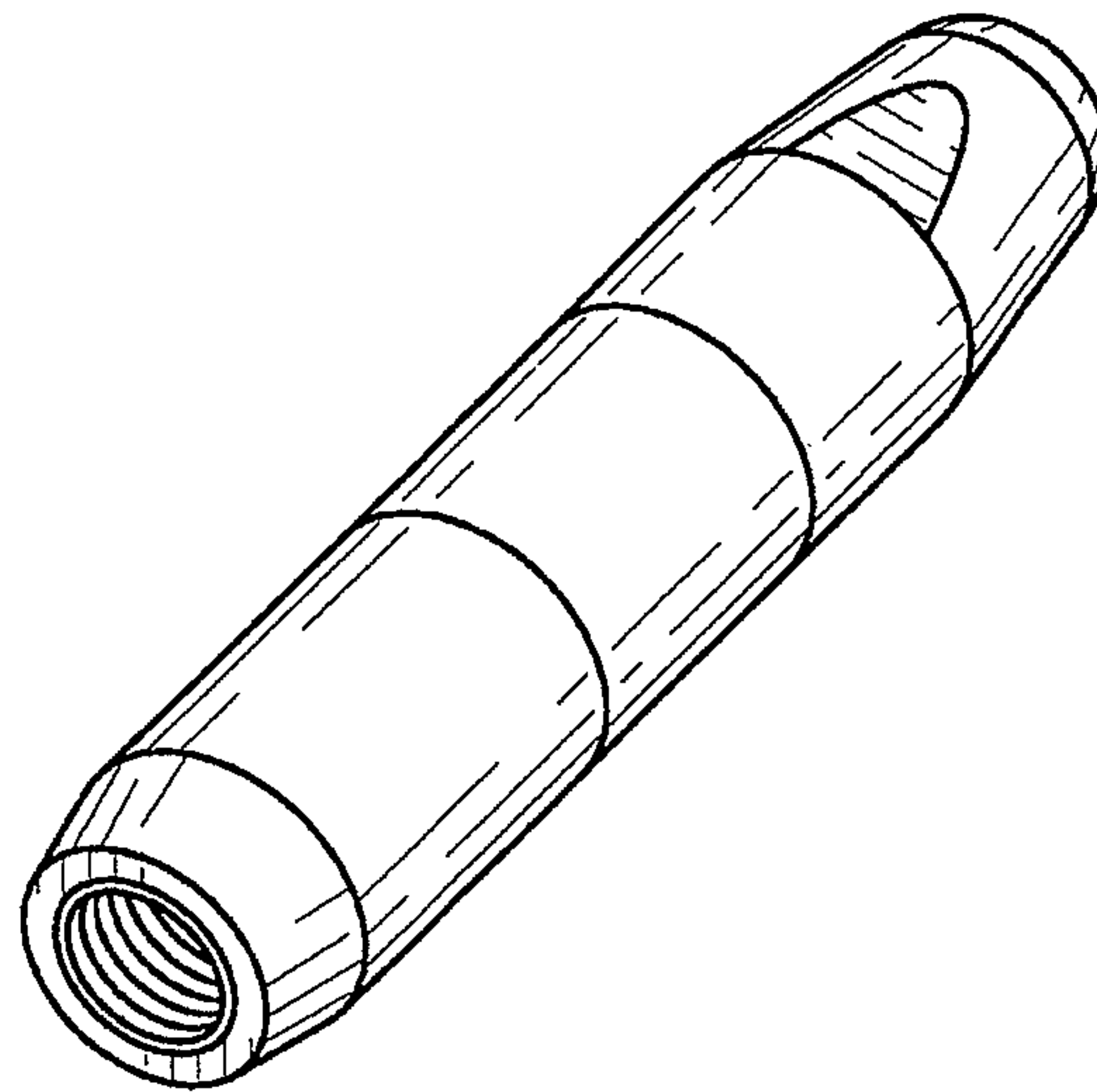


FIG. 2

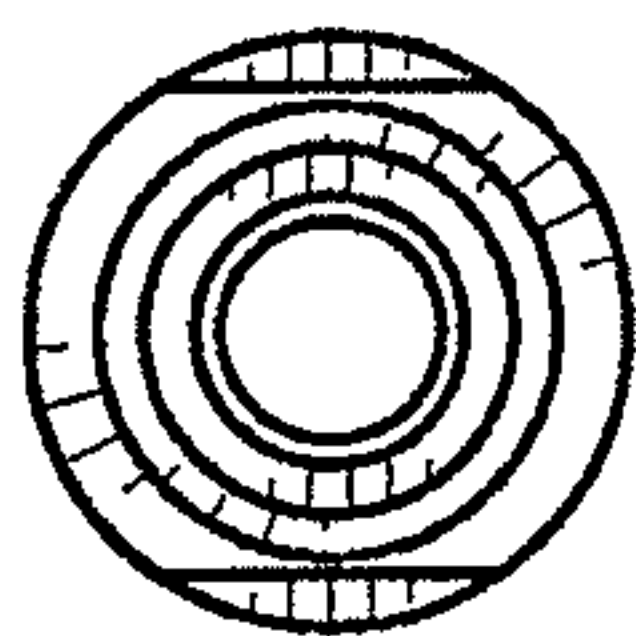


FIG. 3

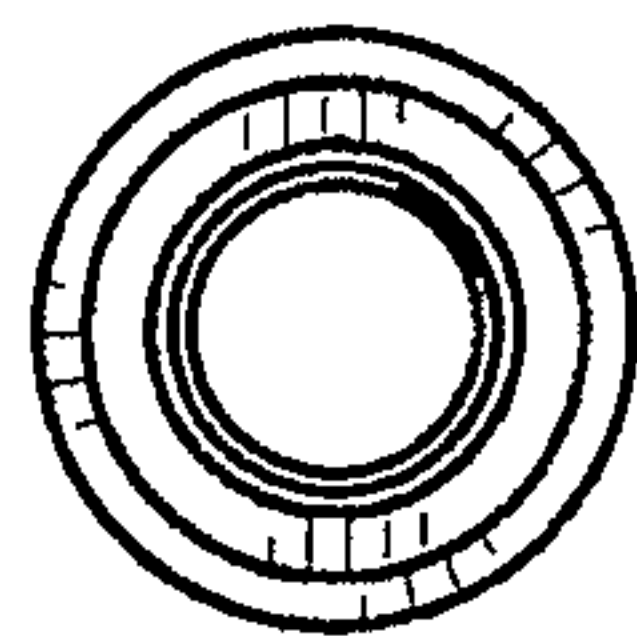


FIG. 4

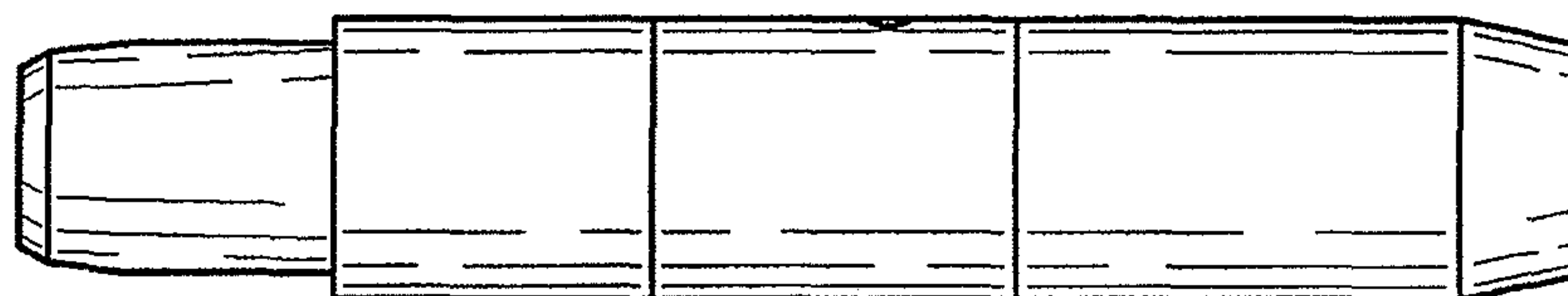


FIG. 5

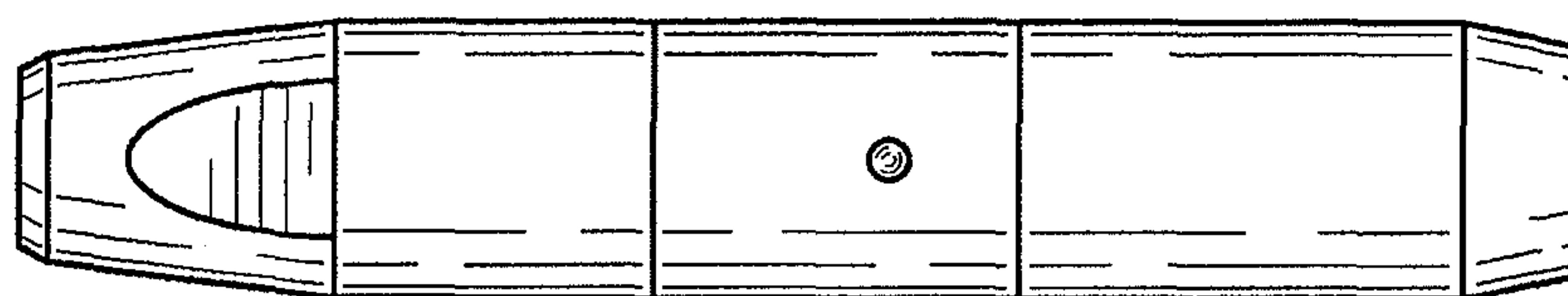


FIG. 6

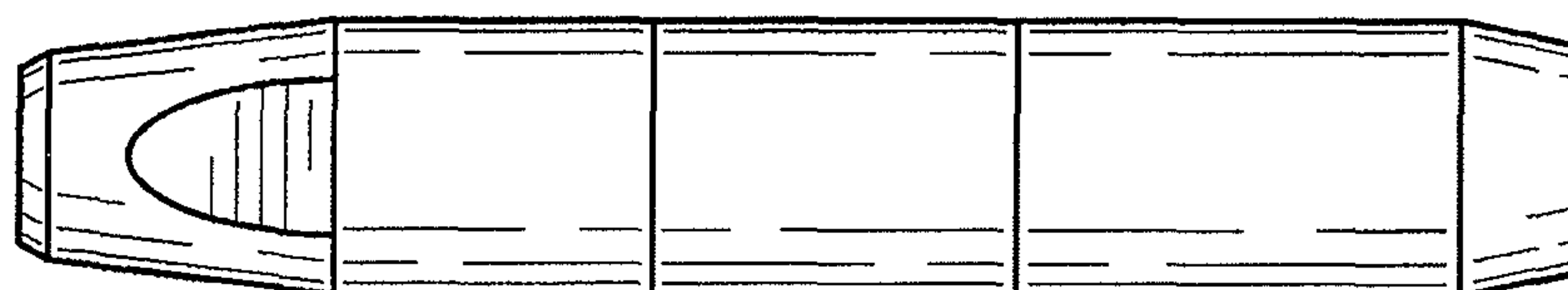


FIG. 7