



US00D683613S

(12) **United States Design Patent**  
**Abdul-Hadi et al.**

(10) **Patent No.:** **US D683,613 S**  
(45) **Date of Patent:** **\*\* Jun. 4, 2013**

(54) **MOUNTING ASSEMBLY**

(75) Inventors: **Louay Ibrahim Abdul-Hadi**,  
Woodstock, GA (US); **Nathan Edward**  
**Woody**, Cumming, GA (US)

(73) Assignee: **Landis+Gyr Innovations, Inc.**,  
Alpharetta, GA (US)

(\*\*) Term: **14 Years**

(21) Appl. No.: **29/403,869**

(22) Filed: **Oct. 12, 2011**

(51) **LOC (9) Cl.** ..... **08-05**

(52) **U.S. Cl.**  
USPC ..... **D8/354**

(58) **Field of Classification Search**  
USPC ..... D8/349, 354, 380, 382, 366; 248/300,  
248/237, 309.1; 52/188, 182, 191, 702, 712,  
52/745.06, 189, 506.5, 586.1; 29/428, 525.01,  
29/464; 249/14, 205, 208; 403/167, 169  
See application file for complete search history.

(56) **References Cited**

**U.S. PATENT DOCUMENTS**

|              |         |                      |         |
|--------------|---------|----------------------|---------|
| D241,612 S * | 9/1976  | Matousek et al. .... | D8/354  |
| D241,613 S * | 9/1976  | Matousek et al. .... | D8/354  |
| D242,766 S * | 12/1976 | Neece .....          | D8/354  |
| D244,508 S * | 5/1977  | Neece .....          | D8/354  |
| D244,748 S * | 6/1977  | Canterbury .....     | D8/380  |
| D296,075 S * | 6/1988  | Jones .....          | D8/373  |
| D338,664 S * | 8/1993  | Goff .....           | D14/447 |

|                |         |                    |         |
|----------------|---------|--------------------|---------|
| D340,700 S *   | 10/1993 | Shukur et al. .... | D13/184 |
| D359,438 S *   | 6/1995  | Graham .....       | D8/354  |
| 6,218,615 B1 * | 4/2001  | Canonico .....     | 174/50  |
| D556,694 S *   | 12/2007 | Sipe .....         | D13/152 |
| D625,168 S *   | 10/2010 | Chen .....         | D8/354  |

\* cited by examiner

*Primary Examiner* — Mark Goodwin

(74) *Attorney, Agent, or Firm* — Kilpatrick Townsend &  
Stockton LLP

(57) **CLAIM**

The ornamental design for a mounting assembly, as shown  
and described.

**DESCRIPTION**

FIG. 1 is a perspective top view of a mounting assembly,  
showing our new design.

FIG. 2 is a perspective bottom view of the mounting assembly  
of FIG. 1.

FIG. 3 is a left side plan view of the mounting assembly of  
FIG. 1.

FIG. 4 is a right side plan view of the mounting assembly of  
FIG. 1.

FIG. 5 is a front plan view of the mounting assembly of FIG.  
1.

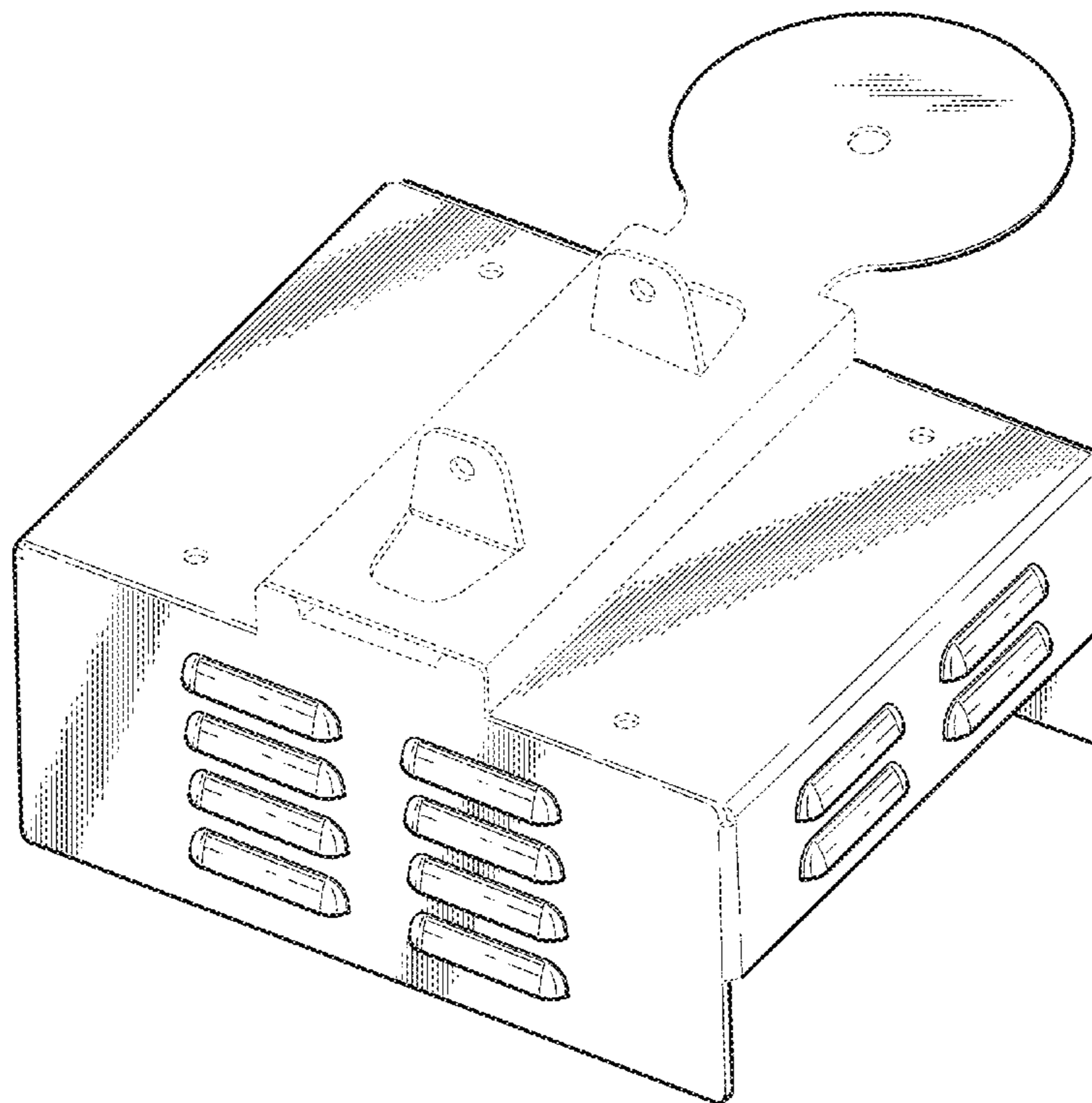
FIG. 6 is a rear plan view of the mounting assembly of FIG. 1.

FIG. 7 is a top plan view of the mounting assembly of FIG. 1;  
and,

FIG. 8 is a bottom plan view of the mounting assembly of  
FIG. 1.

In the drawings, the broken lines form no part of the claimed  
design.

**1 Claim, 5 Drawing Sheets**



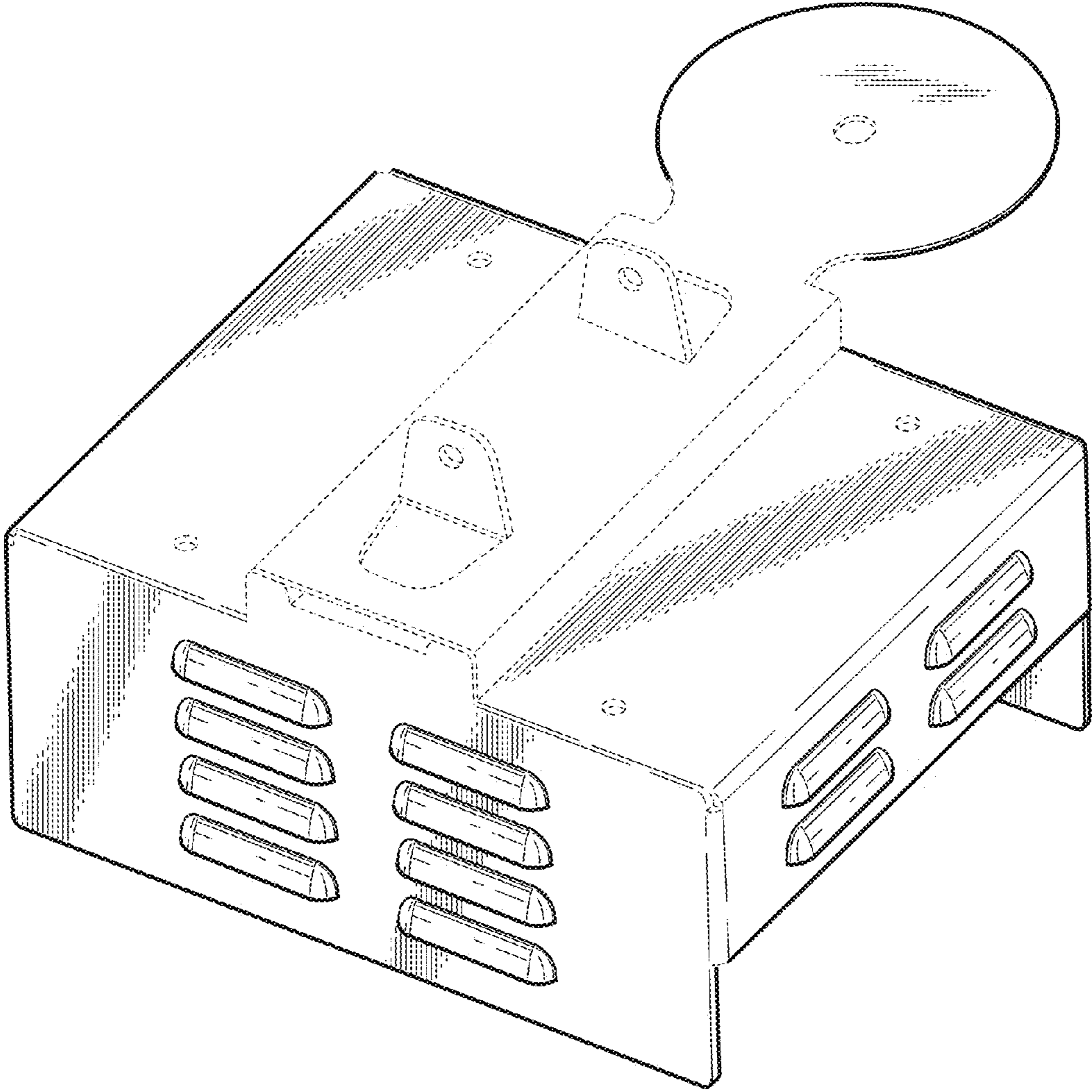


FIG. 1

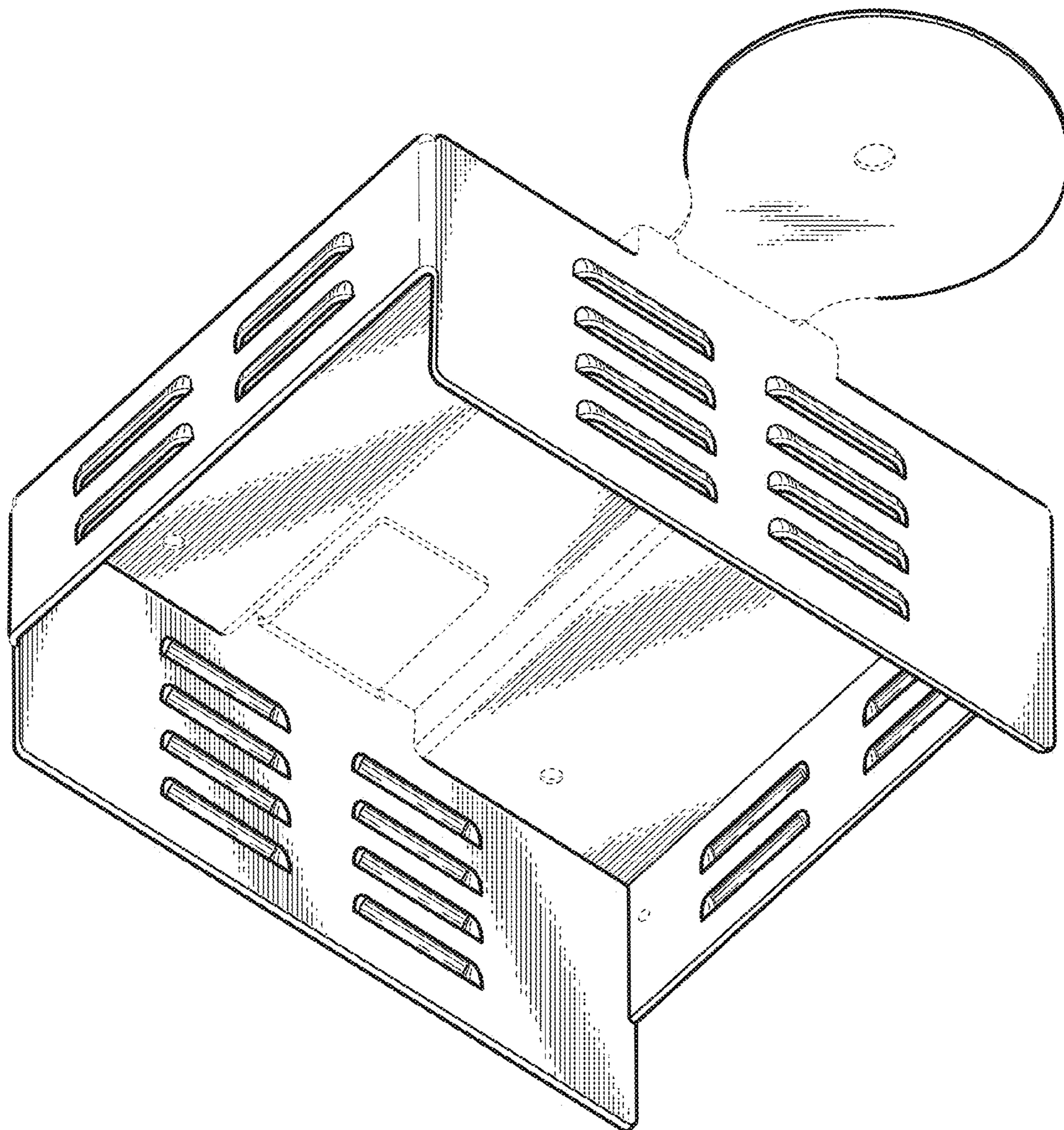


FIG. 2

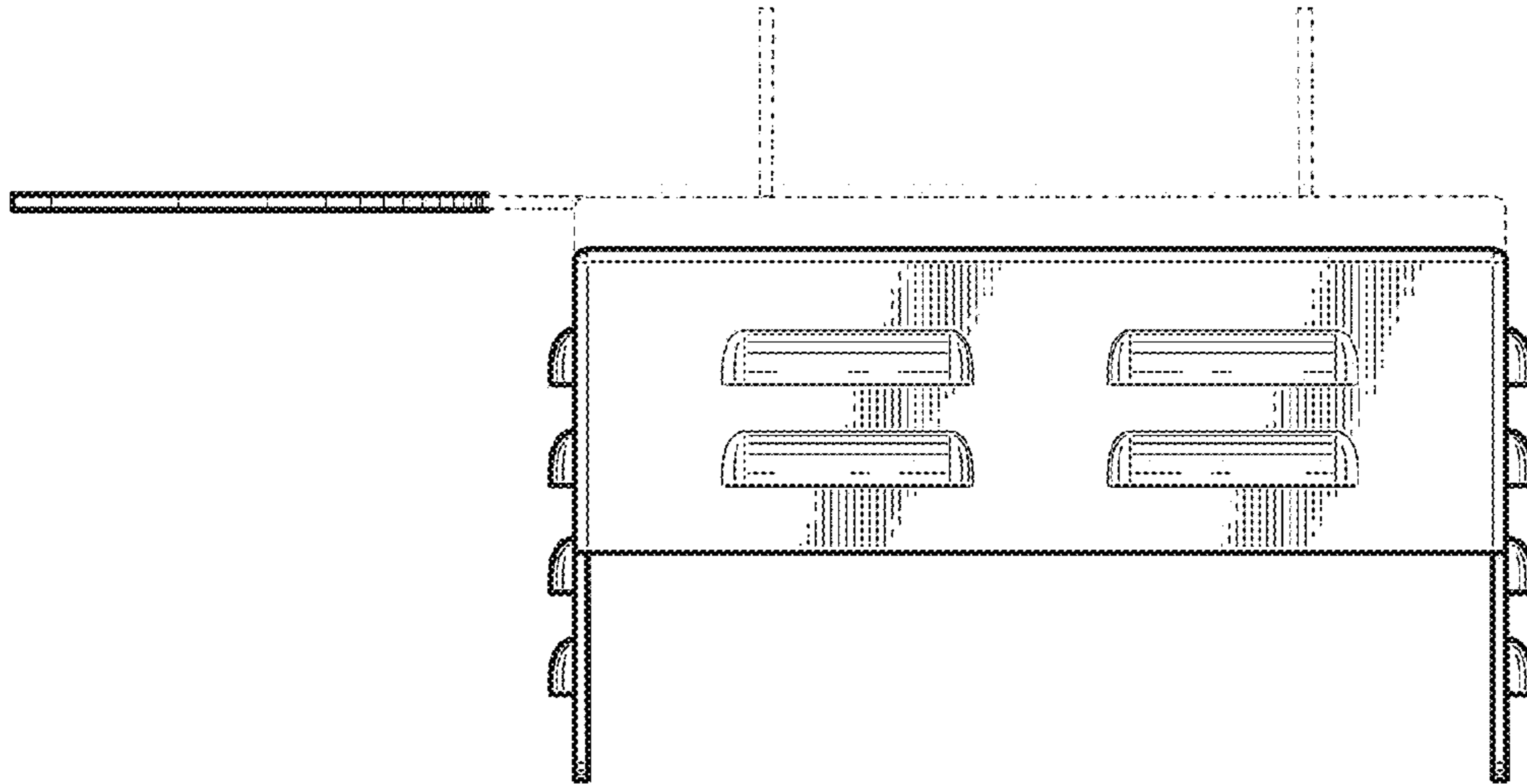


FIG. 3

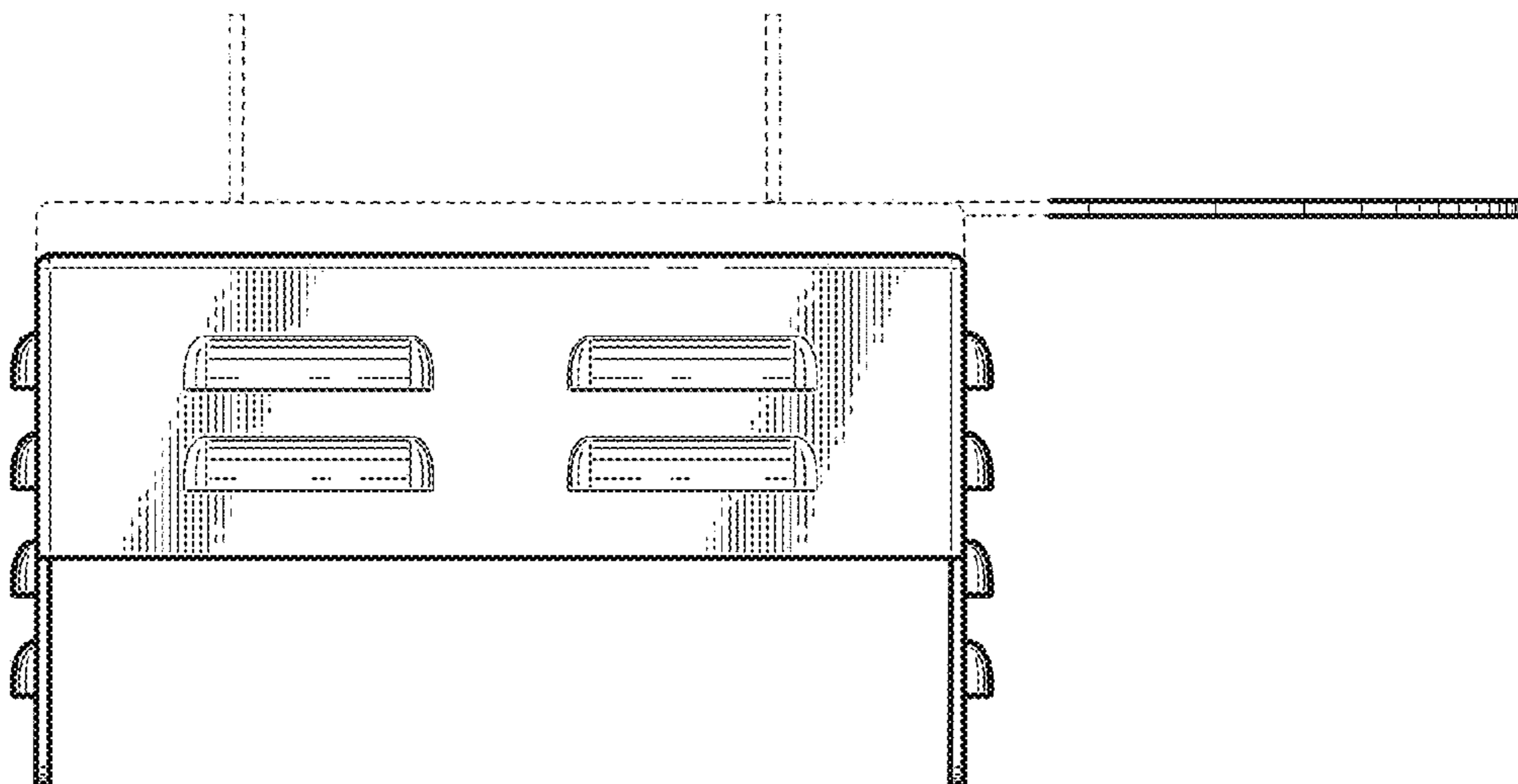
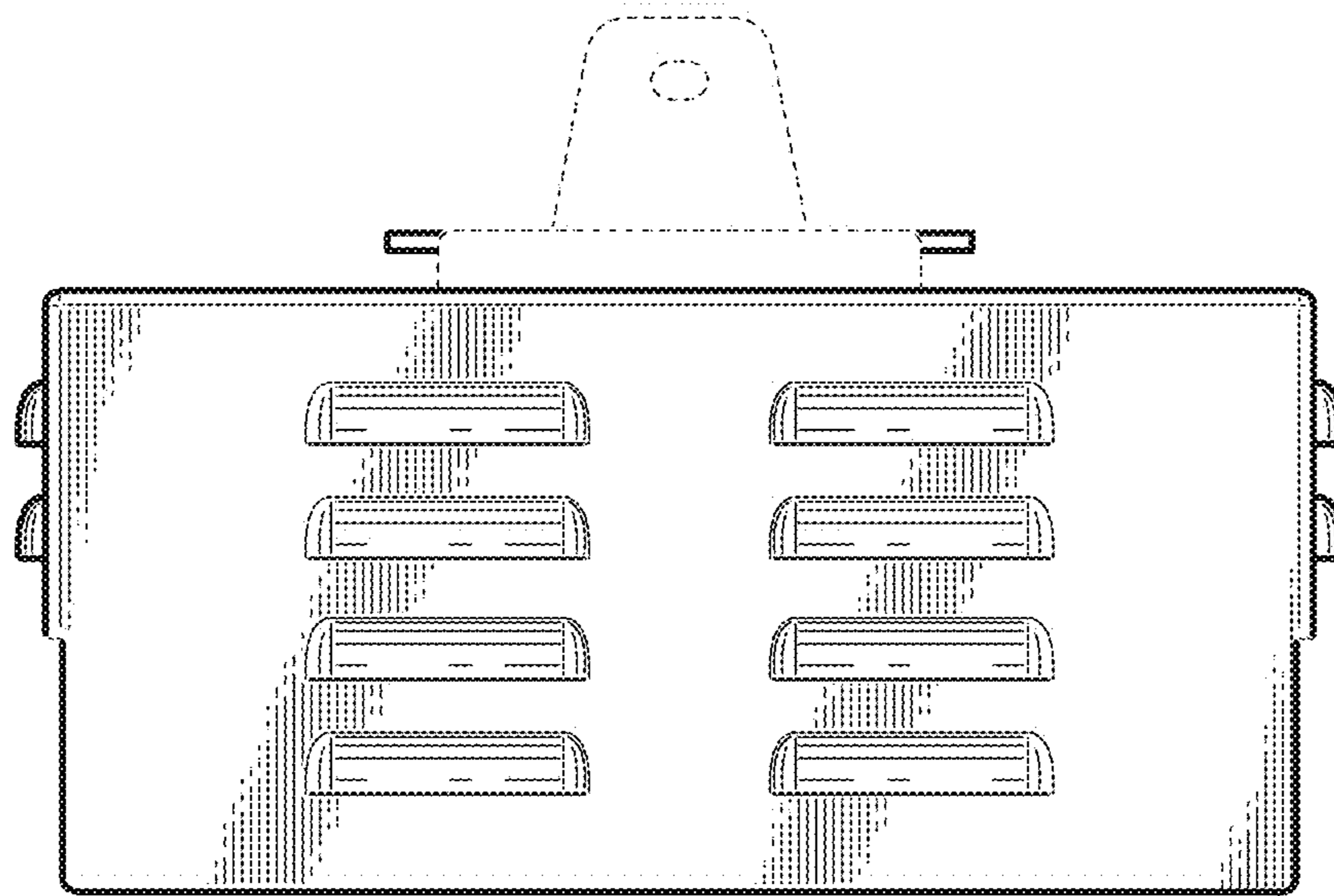
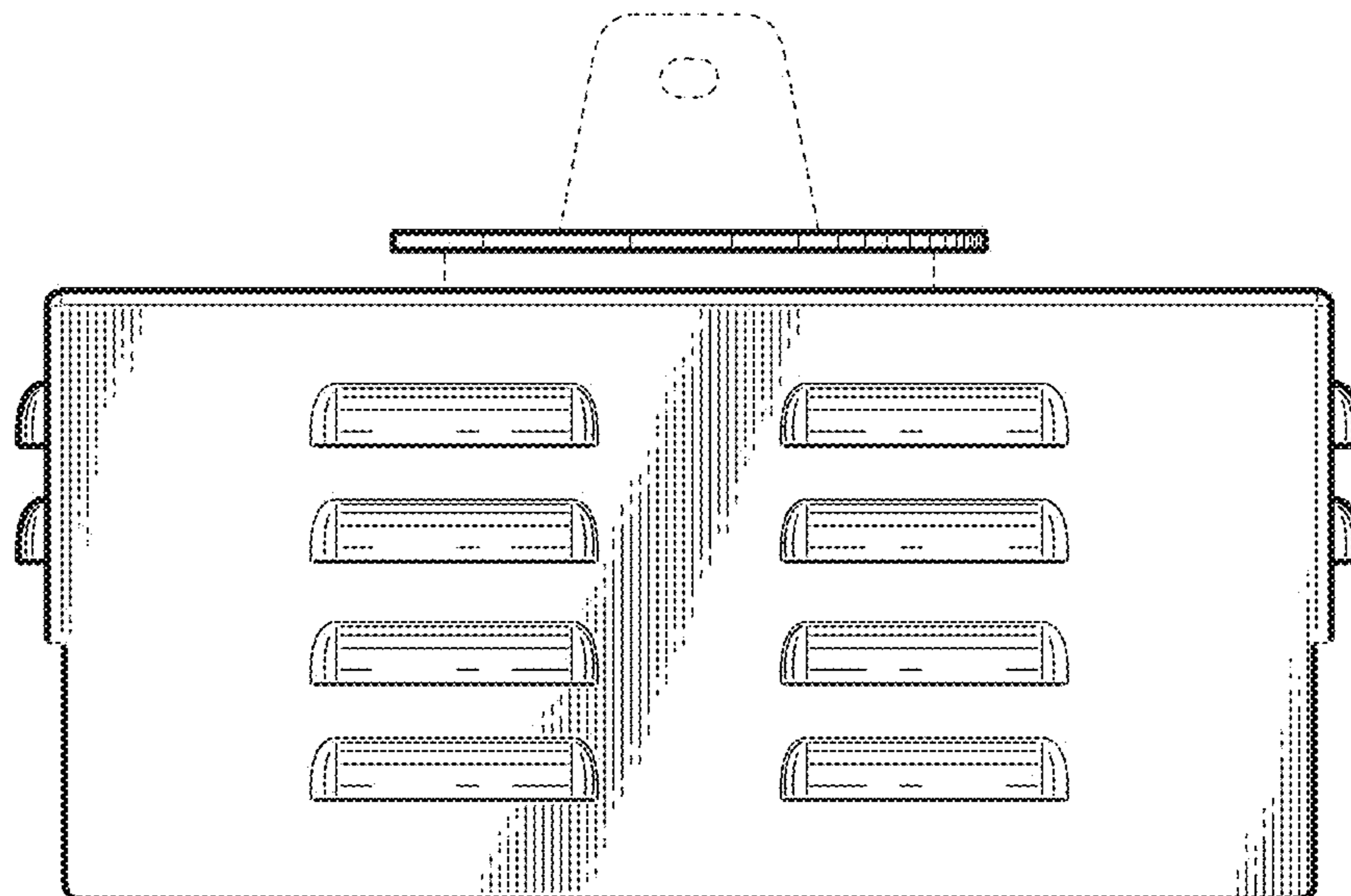


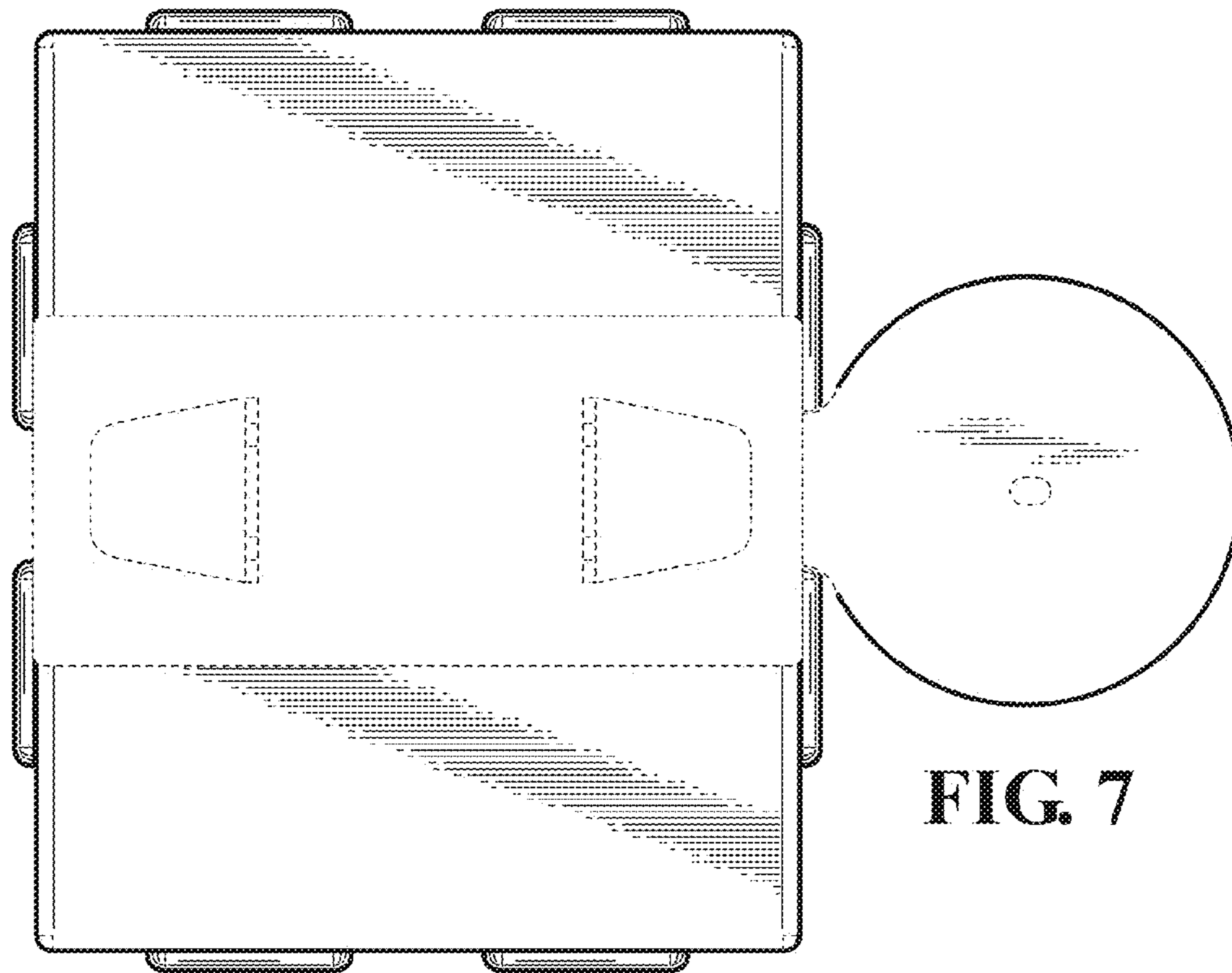
FIG. 4



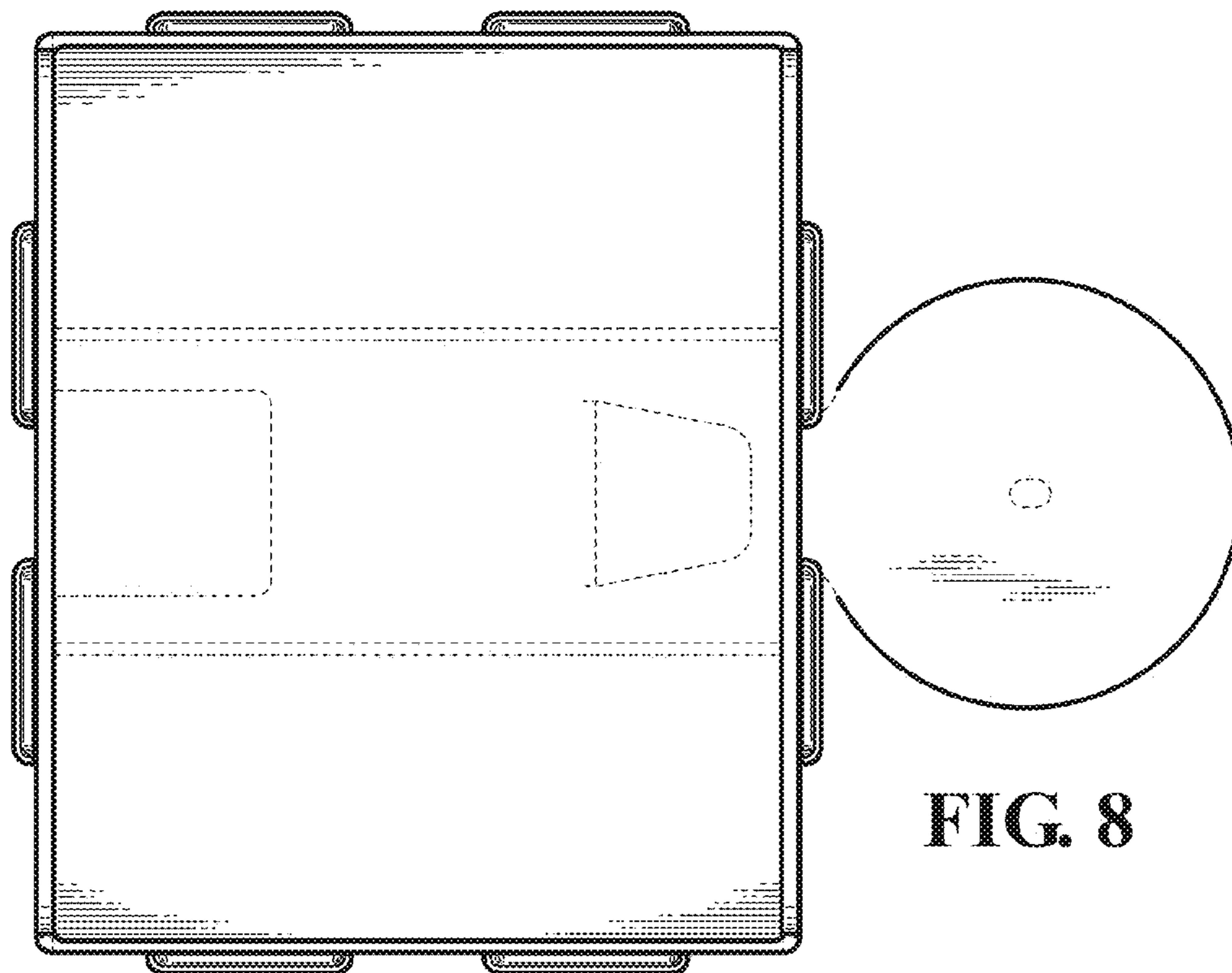
**FIG. 5**



**FIG. 6**



**FIG. 7**



**FIG. 8**