



US00D683612S

(12) **United States Design Patent**
Abdul-Hadi et al.

(10) **Patent No.:** **US D683,612 S**
(45) **Date of Patent:** **** Jun. 4, 2013**

(54) **MOUNTING ASSEMBLY**

(75) Inventors: **Louay Ibrahim Abdul-Hadi**,
Woodstock, GA (US); **Nathan Edward**
Woody, Cumming, GA (US)

(73) Assignee: **Landis+Gyr Innovations, Inc.**,
Alpharetta, GA (US)

(**) Term: **14 Years**

(21) Appl. No.: **29/403,860**

(22) Filed: **Oct. 12, 2011**

(51) **LOC (9) Cl.** **08-05**

(52) **U.S. Cl.**
USPC **D8/354**

(58) **Field of Classification Search**
USPC D8/349, 354, 380, 382, 366; 248/300,
248/237, 309.1; 52/188, 182, 191, 702, 712,
52/745.06, 189, 506.5, 586.1; 29/428, 525.01,
29/464; 249/14, 205, 208; 403/167, 169
See application file for complete search history.

(56) **References Cited**

U.S. PATENT DOCUMENTS

D241,612 S * 9/1976 Matousek et al. D8/354
D241,613 S * 9/1976 Matousek et al. D8/354

(Continued)

Primary Examiner — Mark Goodwin

(74) *Attorney, Agent, or Firm* — Kilpatrick Townsend &
Stockton LLP

(57) **CLAIM**

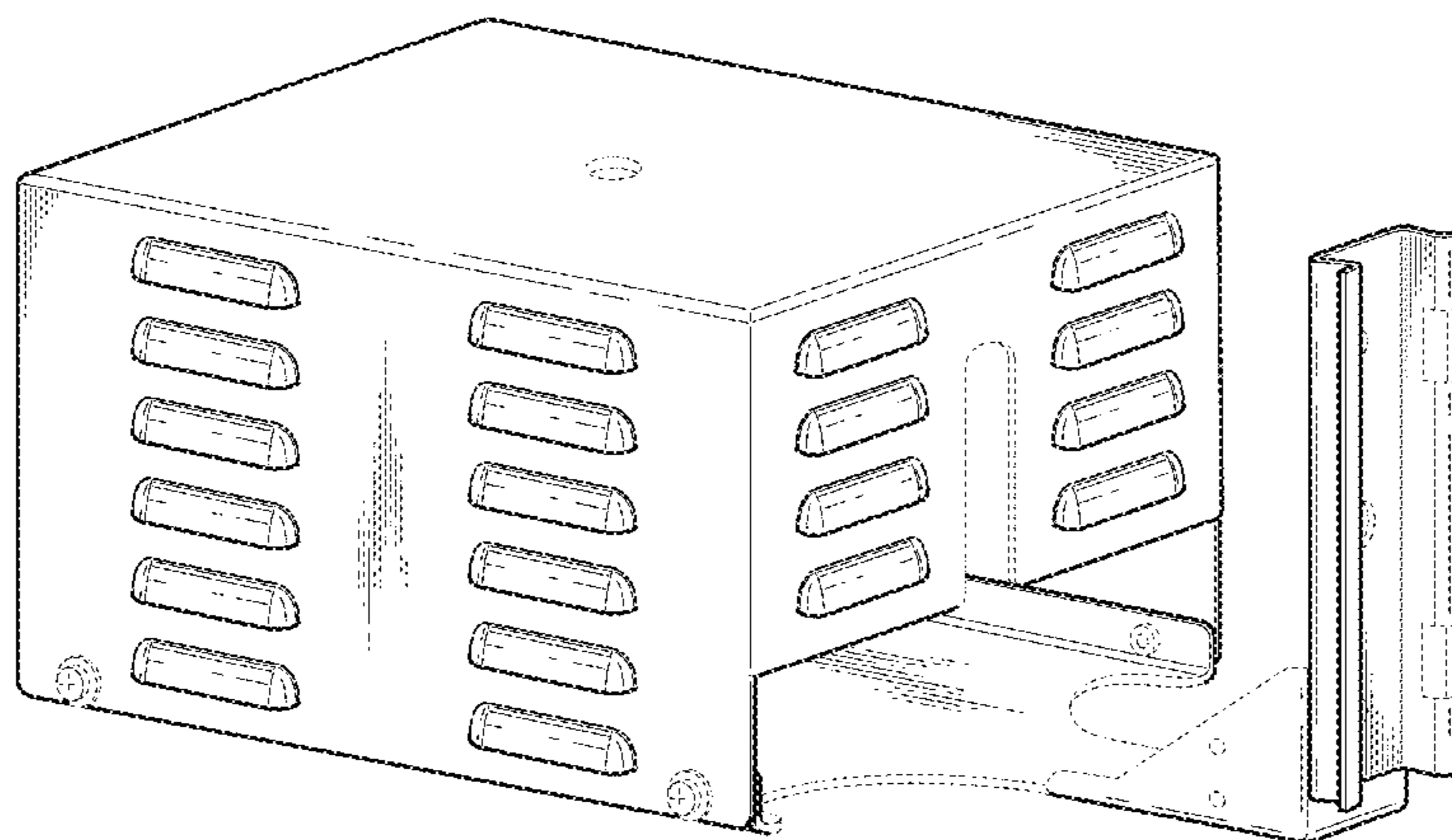
The ornamental design for a mounting assembly, as shown
and described.

DESCRIPTION

FIG. 1 is a top perspective view of the cover portion of a
mounting assembly showing our new design, the cover por-
tion shown separated for ease of illustration.

FIG. 2 is a left side plan view of the cover of FIG. 1.
FIG. 3 is a right side plan view of the cover of FIG. 1.
FIG. 4 is a front plan view of the cover of FIG. 1.
FIG. 5 is a rear plan view of the cover of FIG. 1.
FIG. 6 is a top plan view of the cover of FIG. 1.
FIG. 7 is a bottom plan view of the cover of FIG. 1.
FIG. 8 is a top perspective view of the bracket portion of a
mounting assembly showing our new design, the bracket
portion shown separated for ease of illustration.
FIG. 9 is a bottom perspective view of the bracket of FIG. 8.
FIG. 10 is a left side plan view of the bracket of FIG. 8.
FIG. 11 is a right side plan view of the bracket of FIG. 8.
FIG. 12 is a front plan view of the bracket of FIG. 8.
FIG. 13 is a rear plan view of the bracket of FIG. 8.
FIG. 14 is a top plan view of the bracket of FIG. 8.
FIG. 15 is a bottom plan view of the bracket of FIG. 8.
FIG. 16 is a perspective top view of a mounting assembly
comprising the cover of FIG. 1 assembled with the bracket of
FIG. 8.
FIG. 17 is another perspective top view of the mounting
assembly of FIG. 16.
FIG. 18 is a left side plan view of the mounting assembly of
FIG. 16.
FIG. 19 is a right side plan view of the mounting assembly of
FIG. 16.
FIG. 20 is a front plan view of the mounting assembly of FIG.
16.
FIG. 21 is a rear plan view of the mounting assembly of FIG.
16.
FIG. 22 is a top plan view of the mounting assembly of FIG.
16; and,
FIG. 23 is a bottom plan view of the mounting assembly of
FIG. 16.
In the drawings, the broken lines form no part of the claimed
design.

1 Claim, 14 Drawing Sheets



US D683,612 S

Page 2

U.S. PATENT DOCUMENTS

D242,766 S	*	12/1976	Neece	D8/354	D340,700 S	*	10/1993	Shukur et al.	D13/184
D244,508 S	*	5/1977	Neece	D8/354	D359,438 S	*	6/1995	Graham	D8/354
D244,748 S	*	6/1977	Canterbury	D8/380	6,218,615 B1	*	4/2001	Canonico	174/50
D296,075 S	*	6/1988	Jones	D8/373	D556,694 S	*	12/2007	Sipe	D13/152
D338,664 S	*	8/1993	Goff	D14/447	D625,168 S	*	10/2010	Chen	D8/354

* cited by examiner

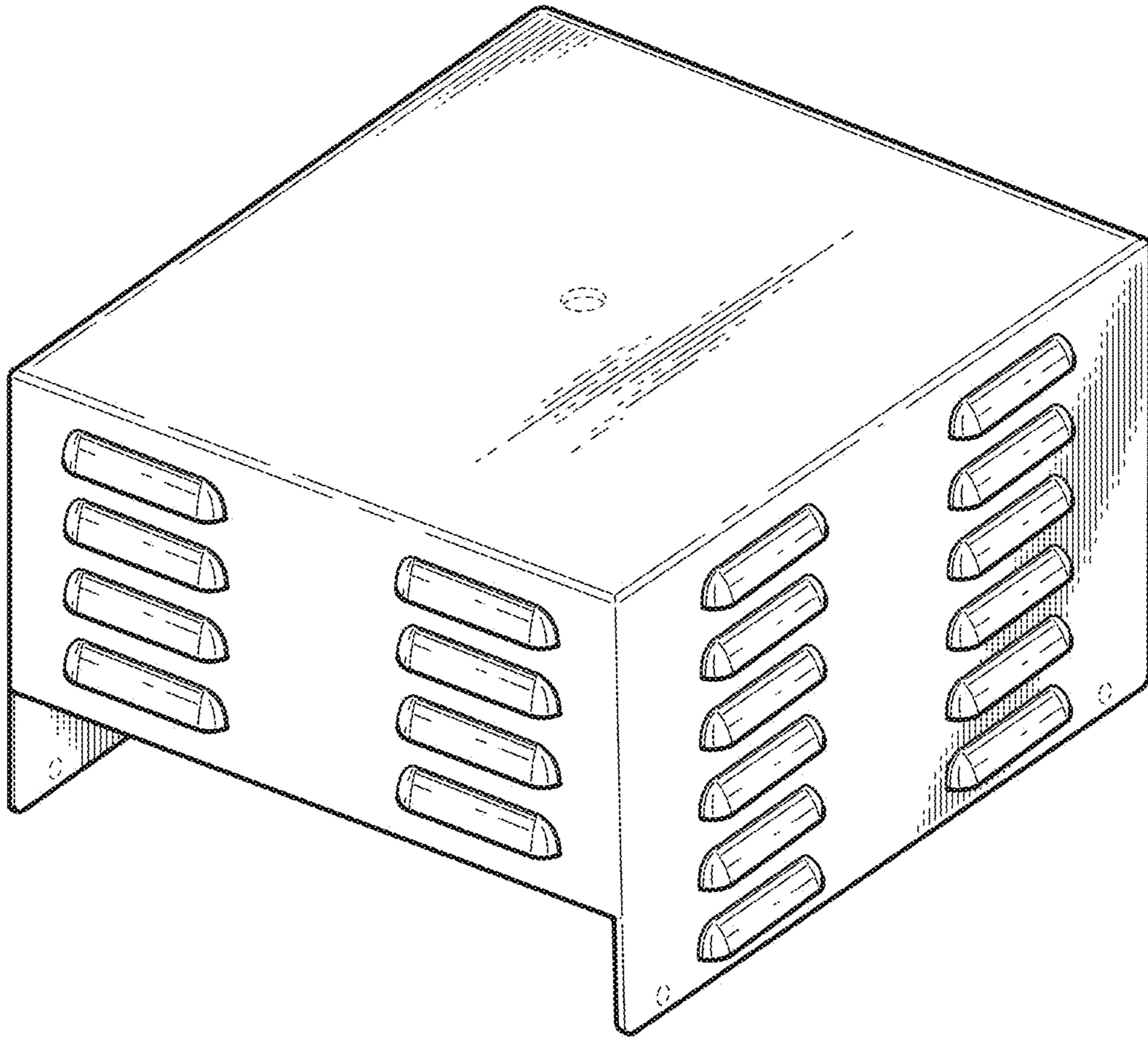


FIG. 1

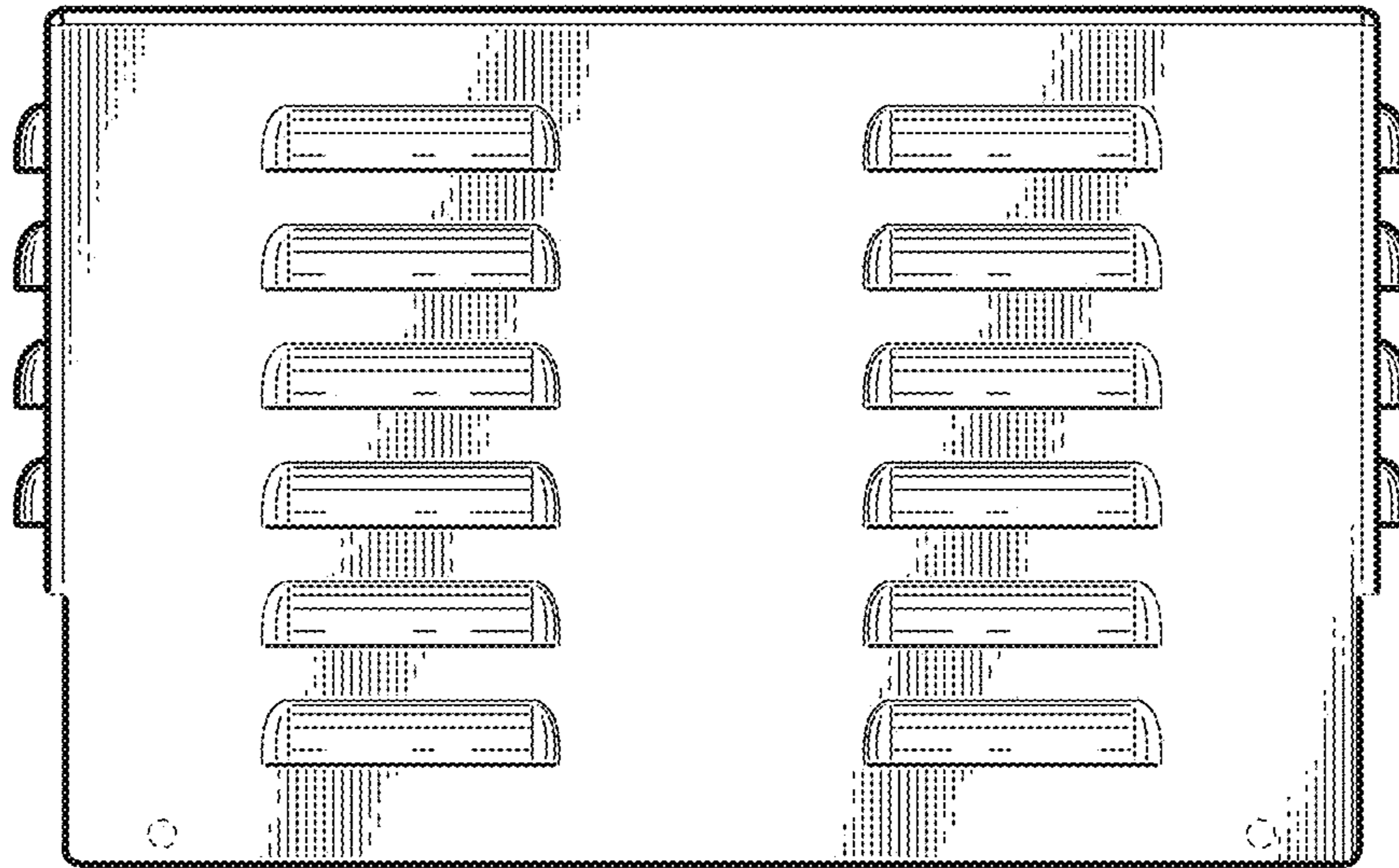


FIG. 2

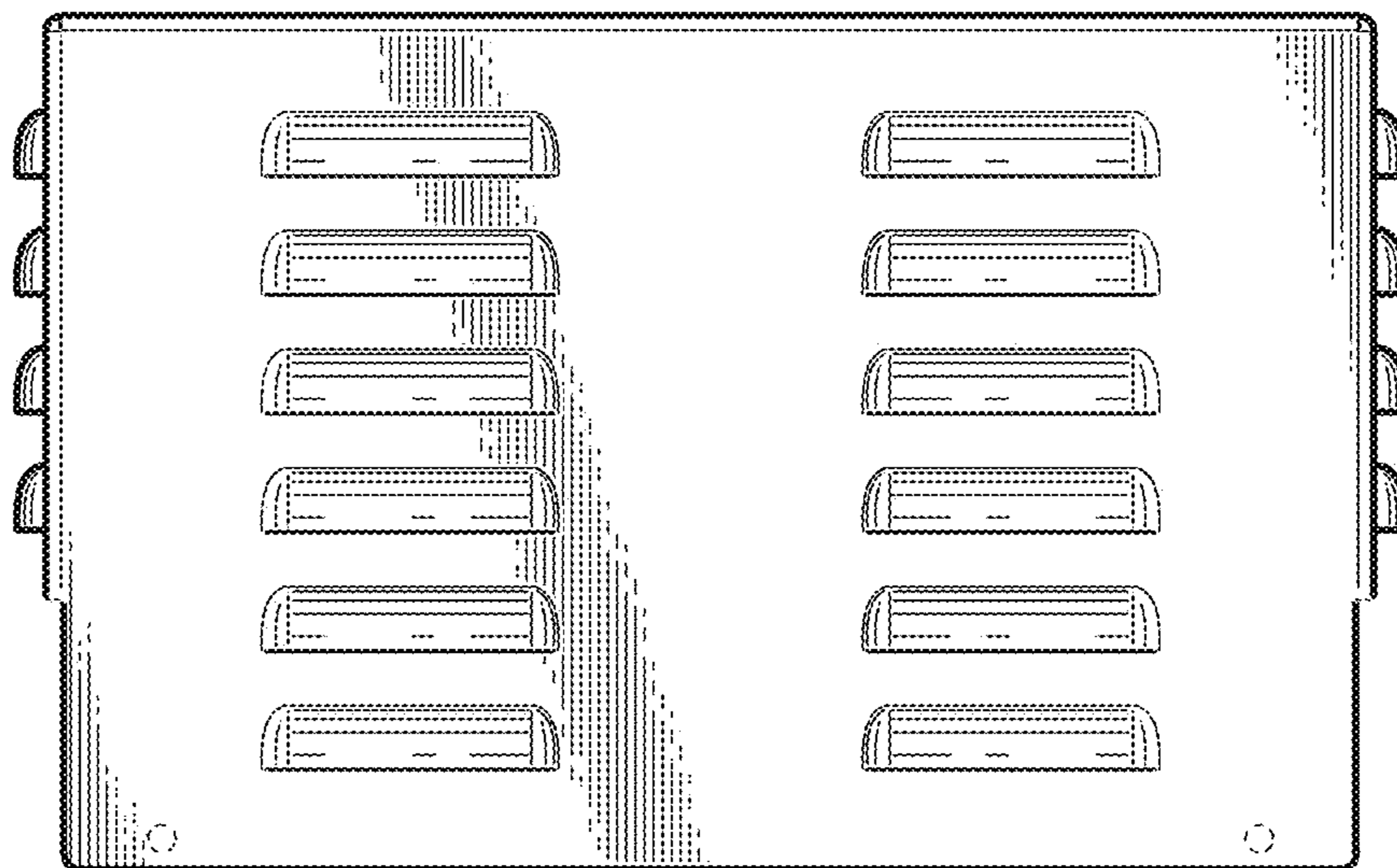


FIG. 3

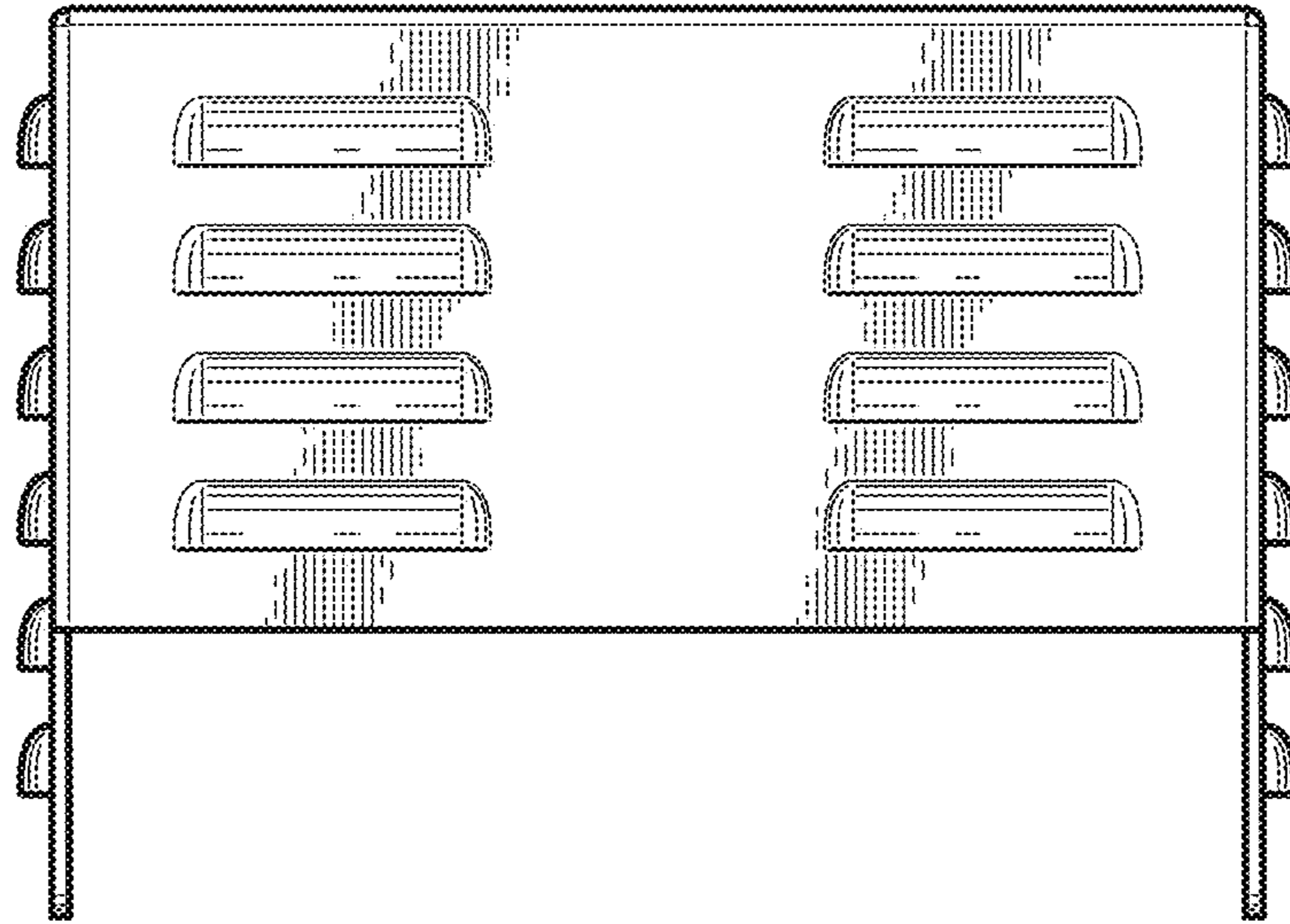


FIG. 4

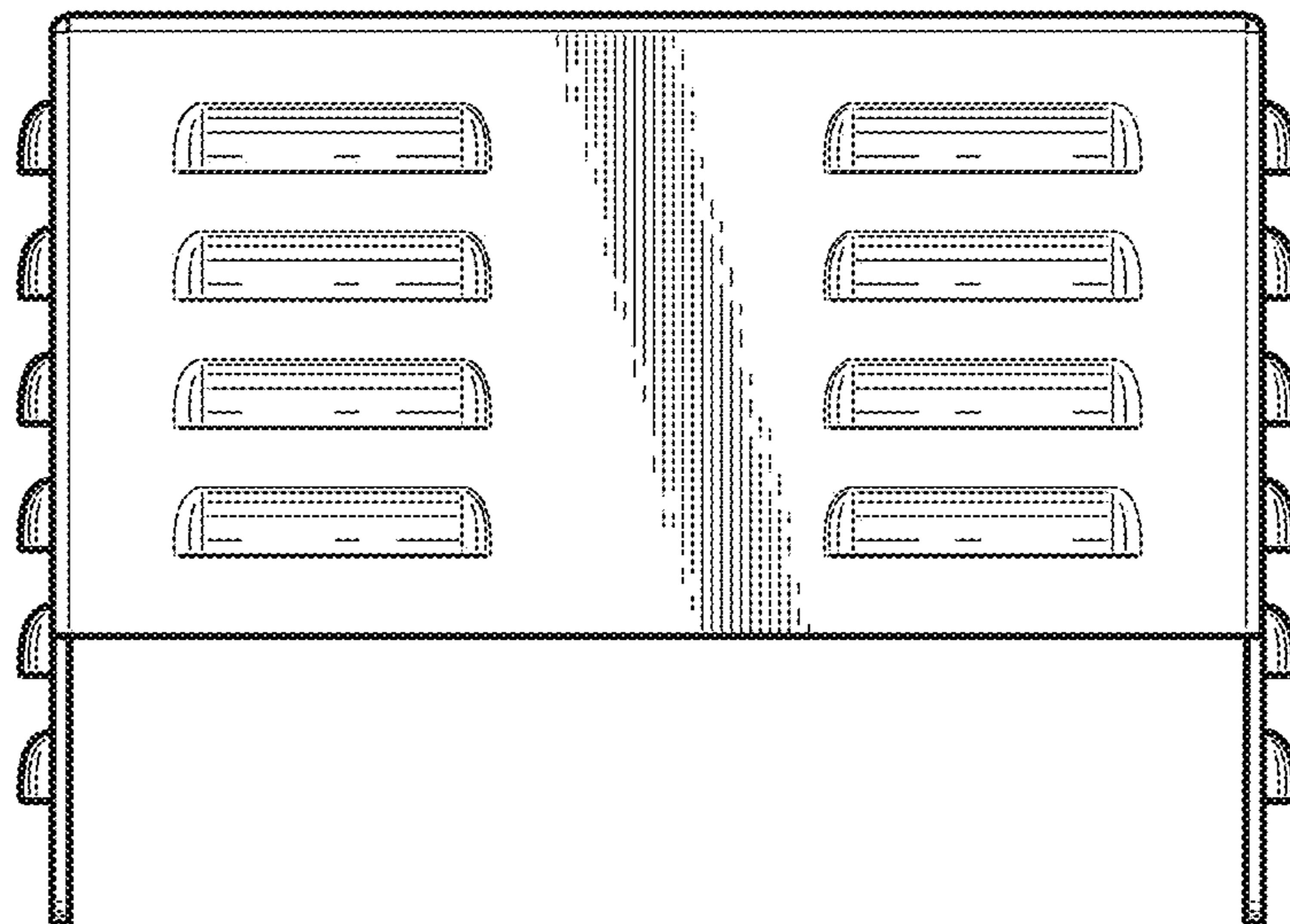


FIG. 5

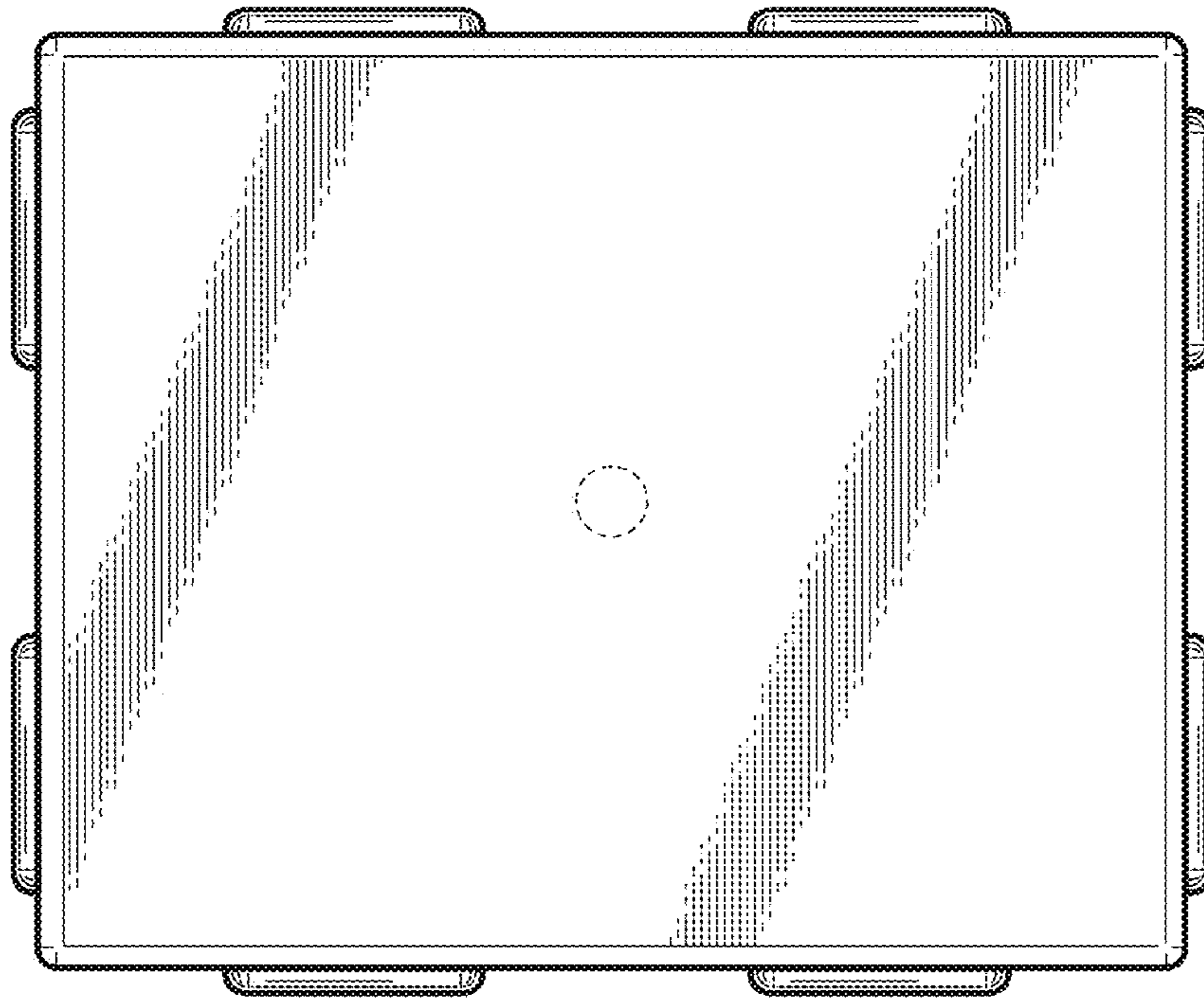


FIG. 6

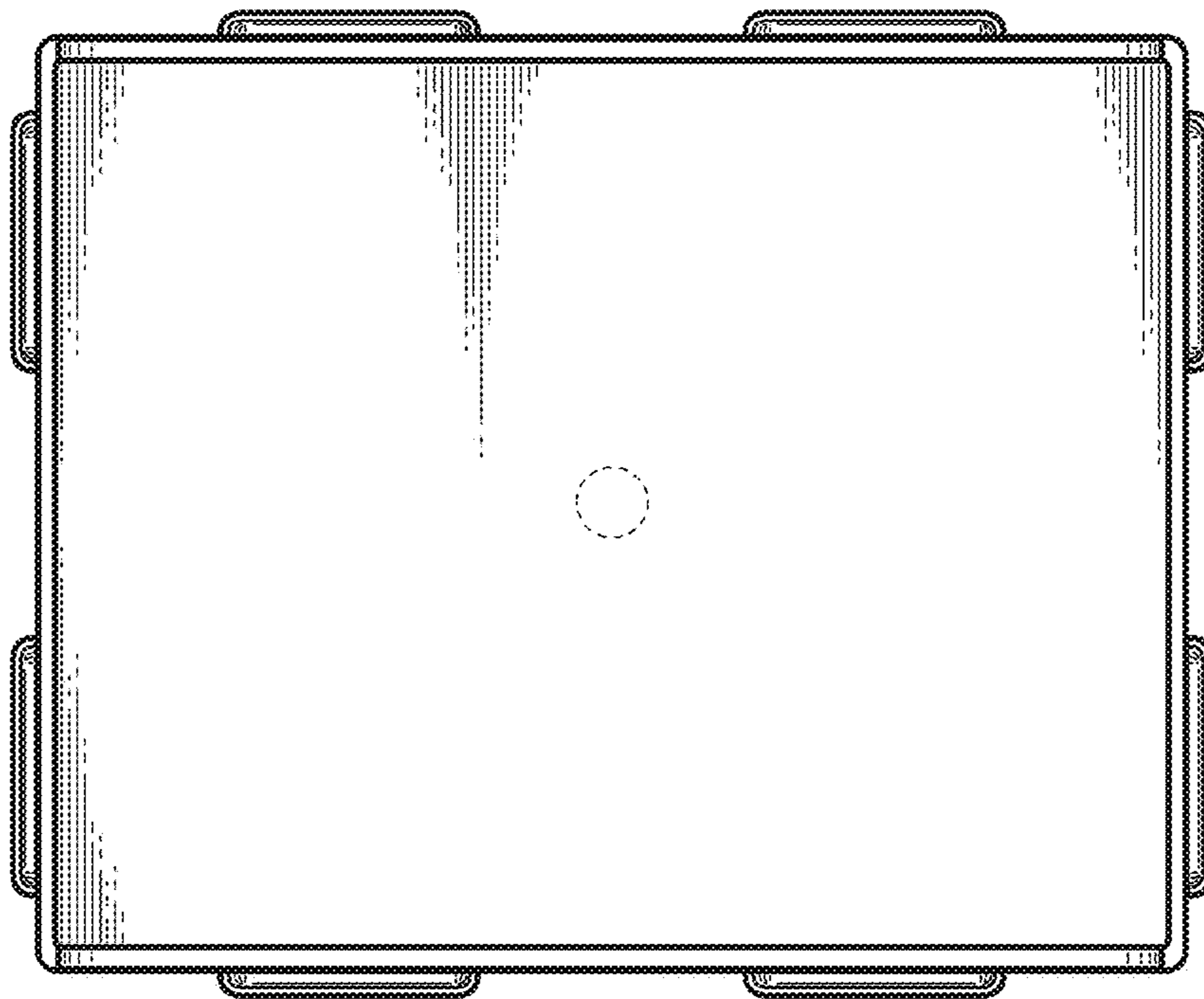


FIG. 7

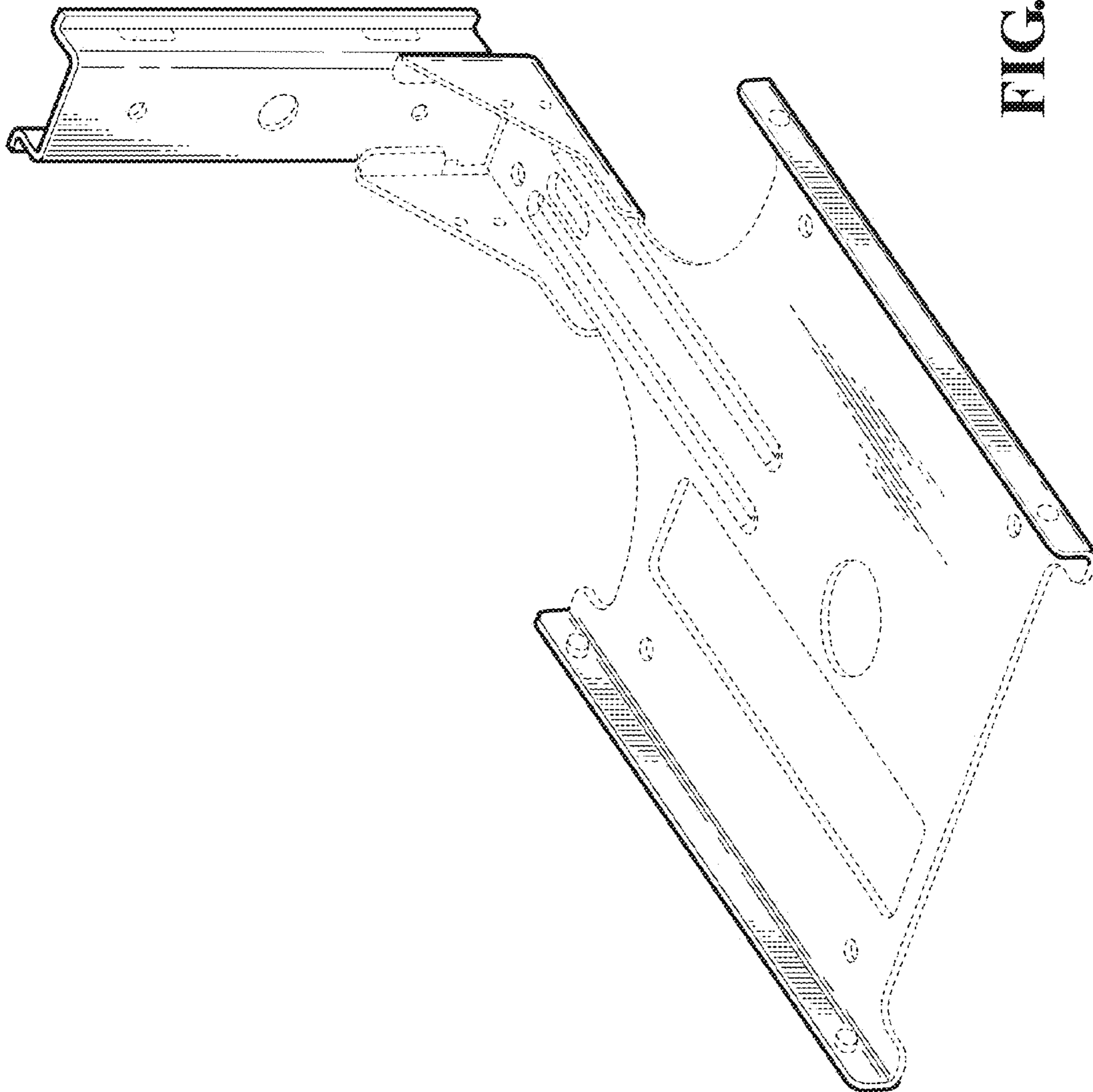


FIG. 8

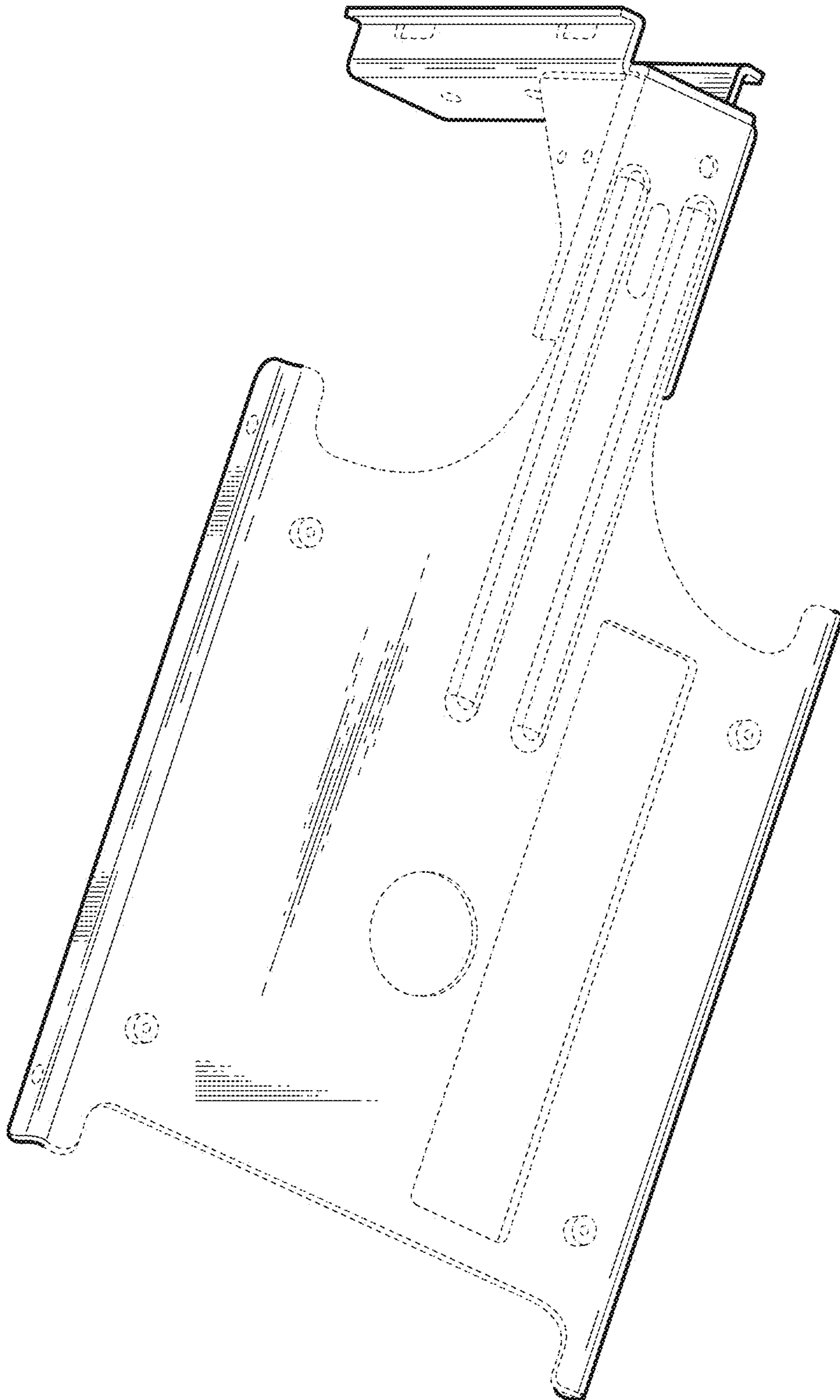


FIG. 9



FIG. 10

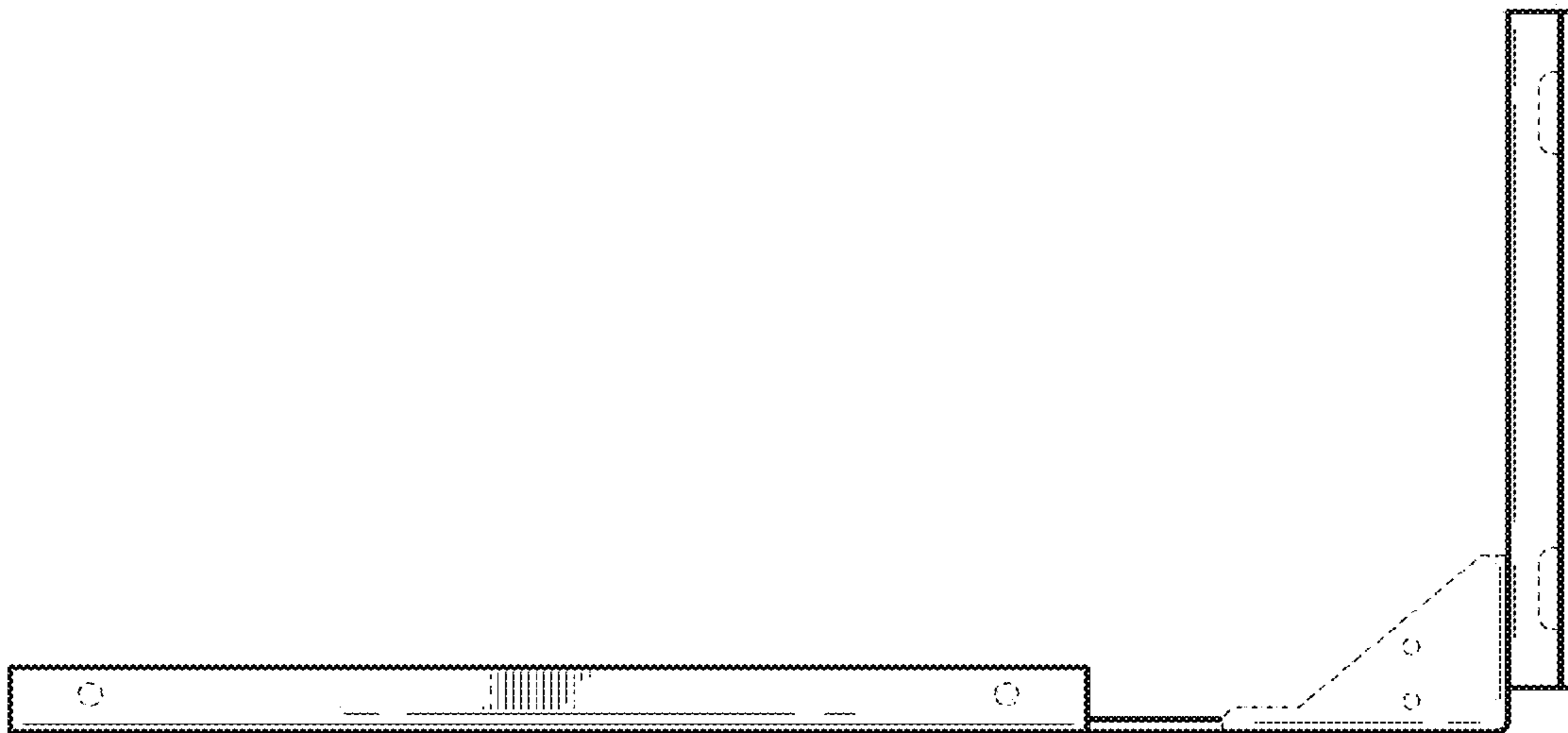


FIG. 11

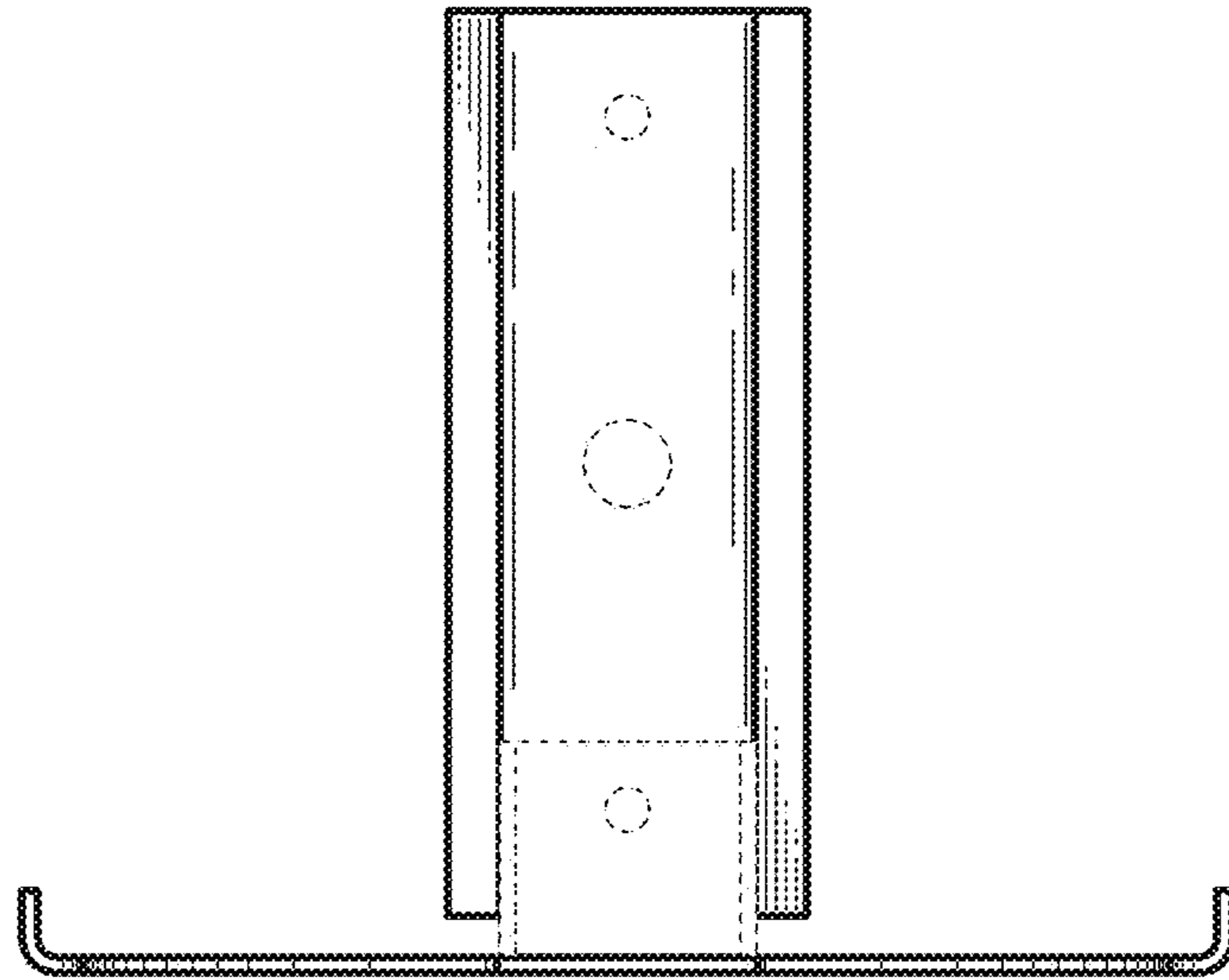


FIG. 12

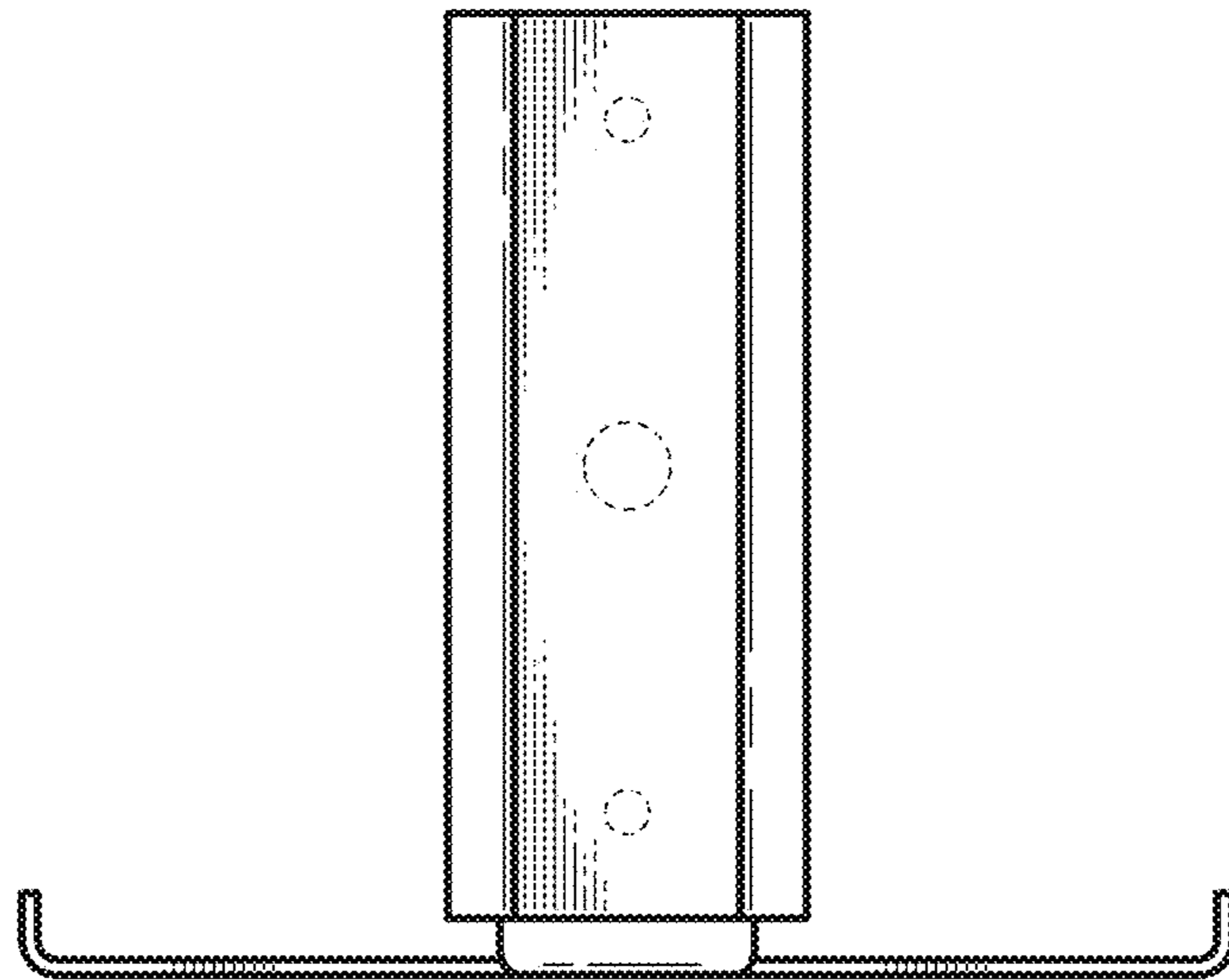


FIG. 13

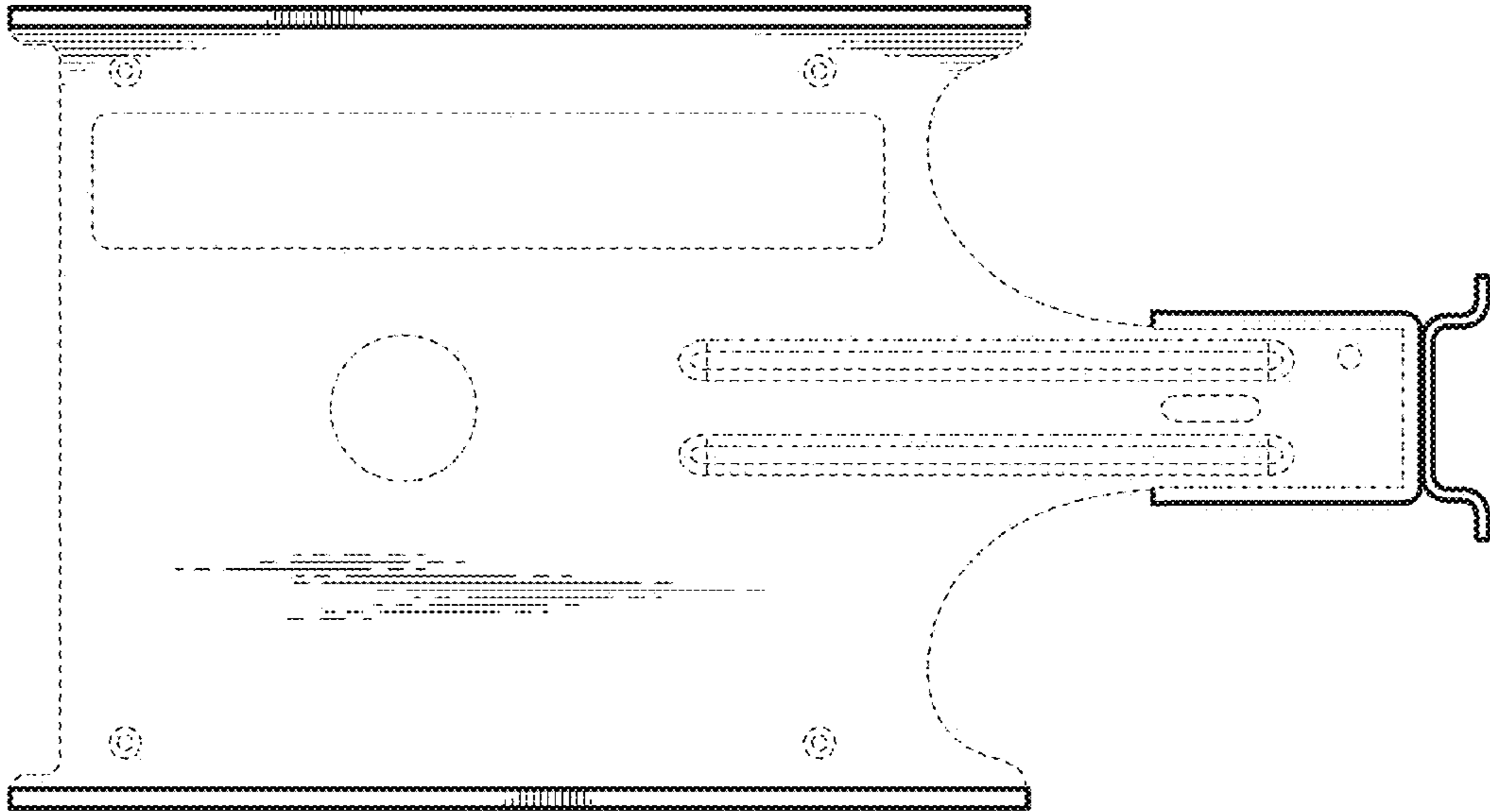


FIG. 14

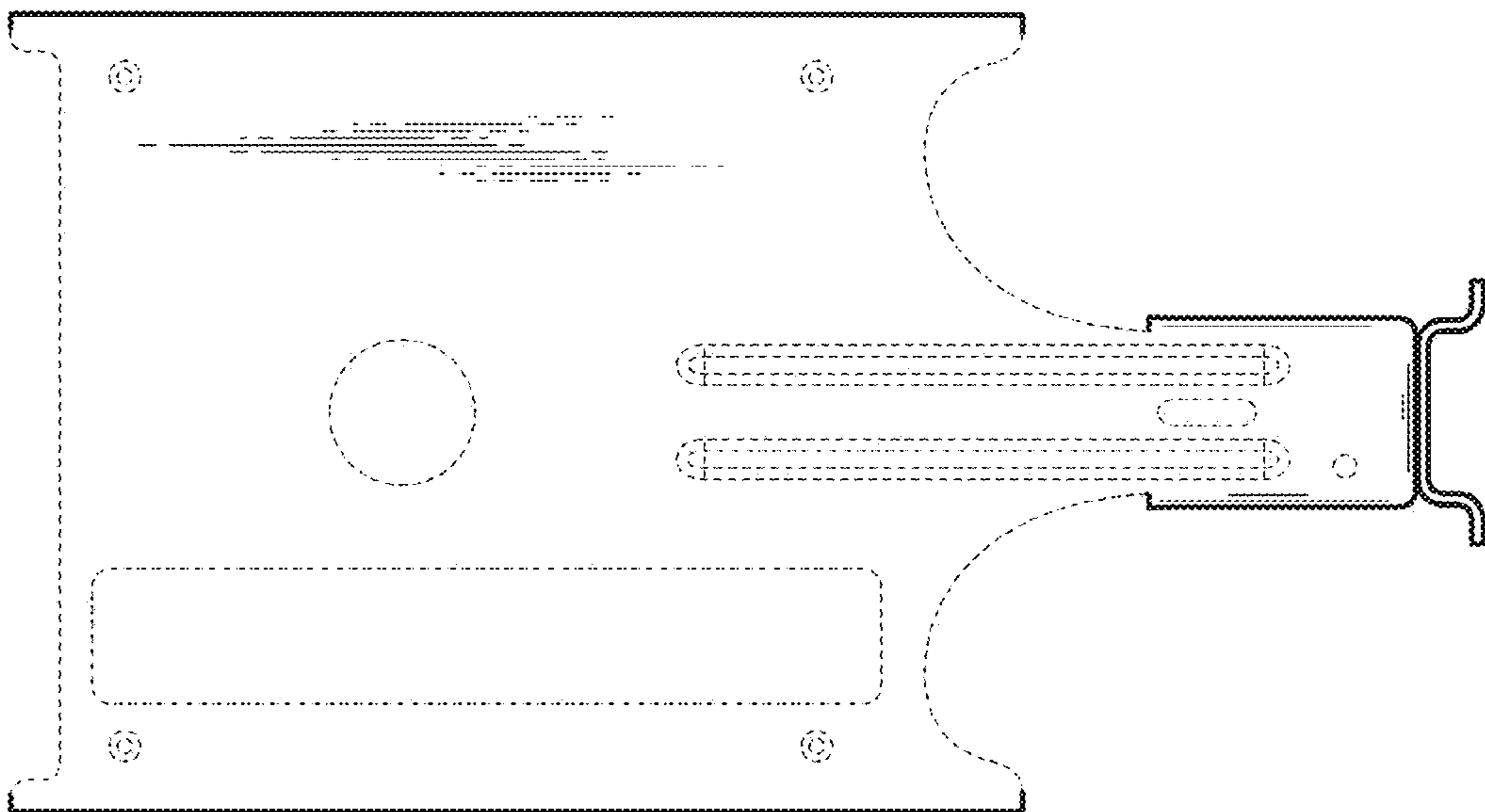


FIG. 15

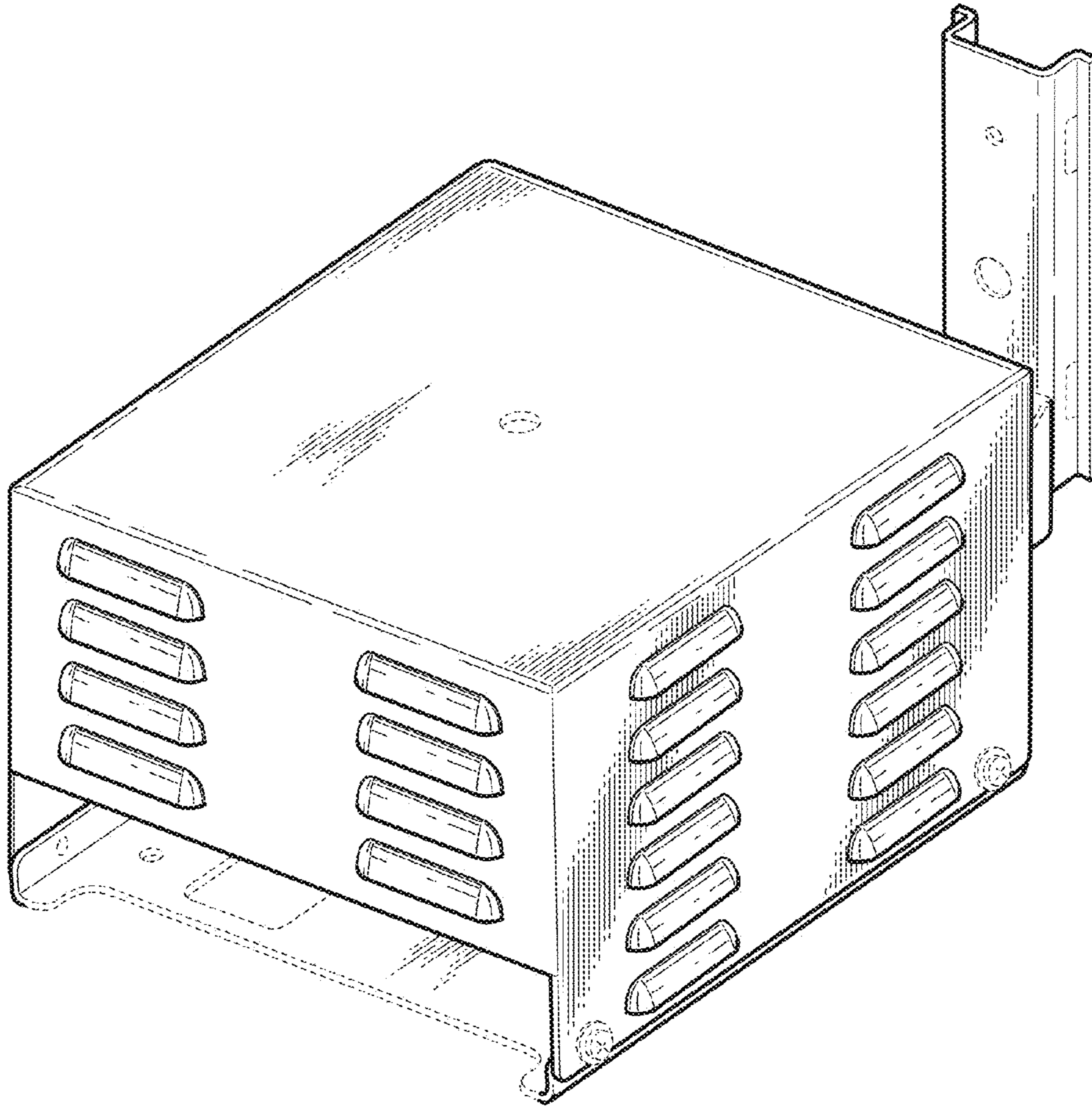


FIG. 16

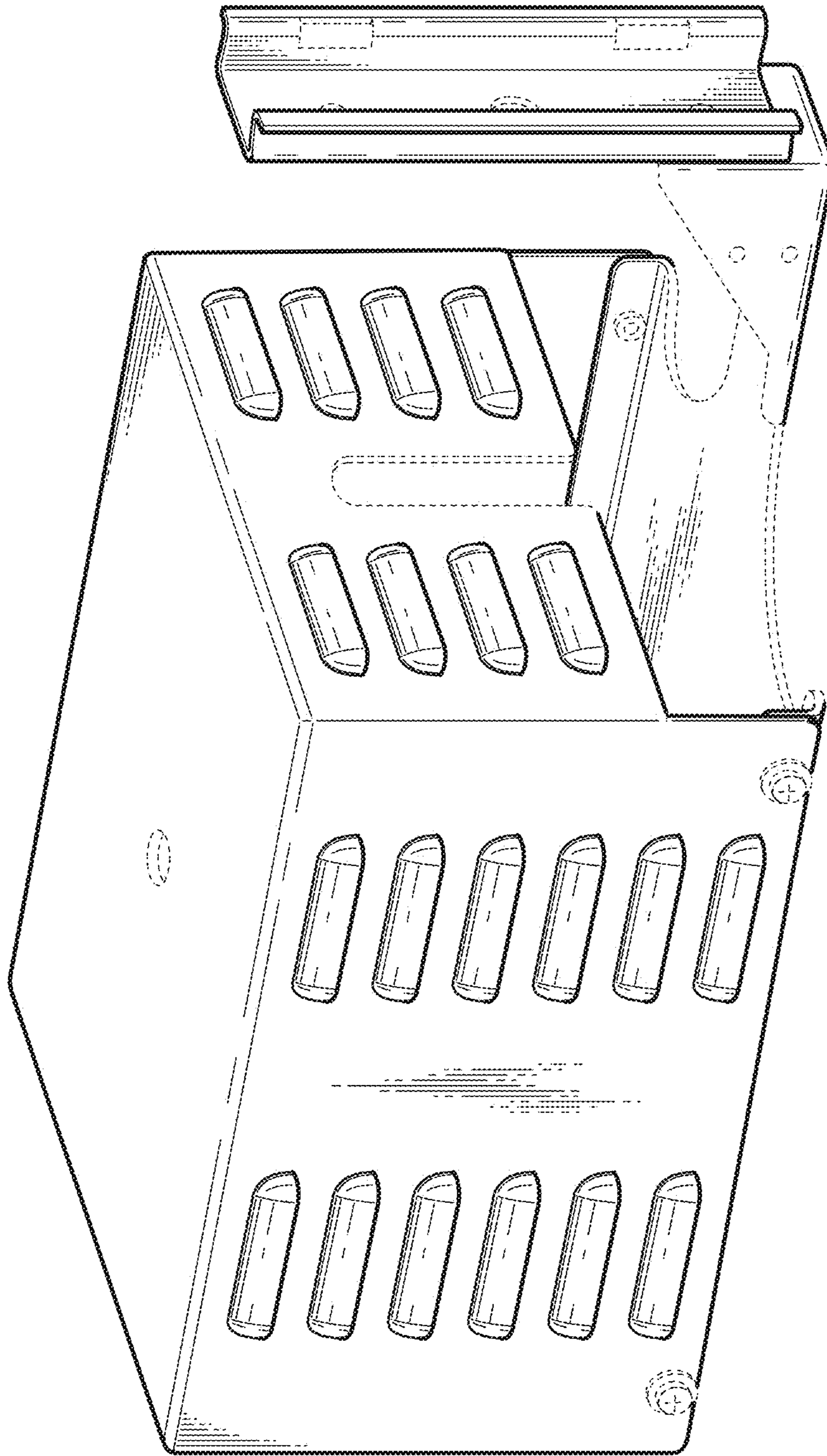


FIG. 17

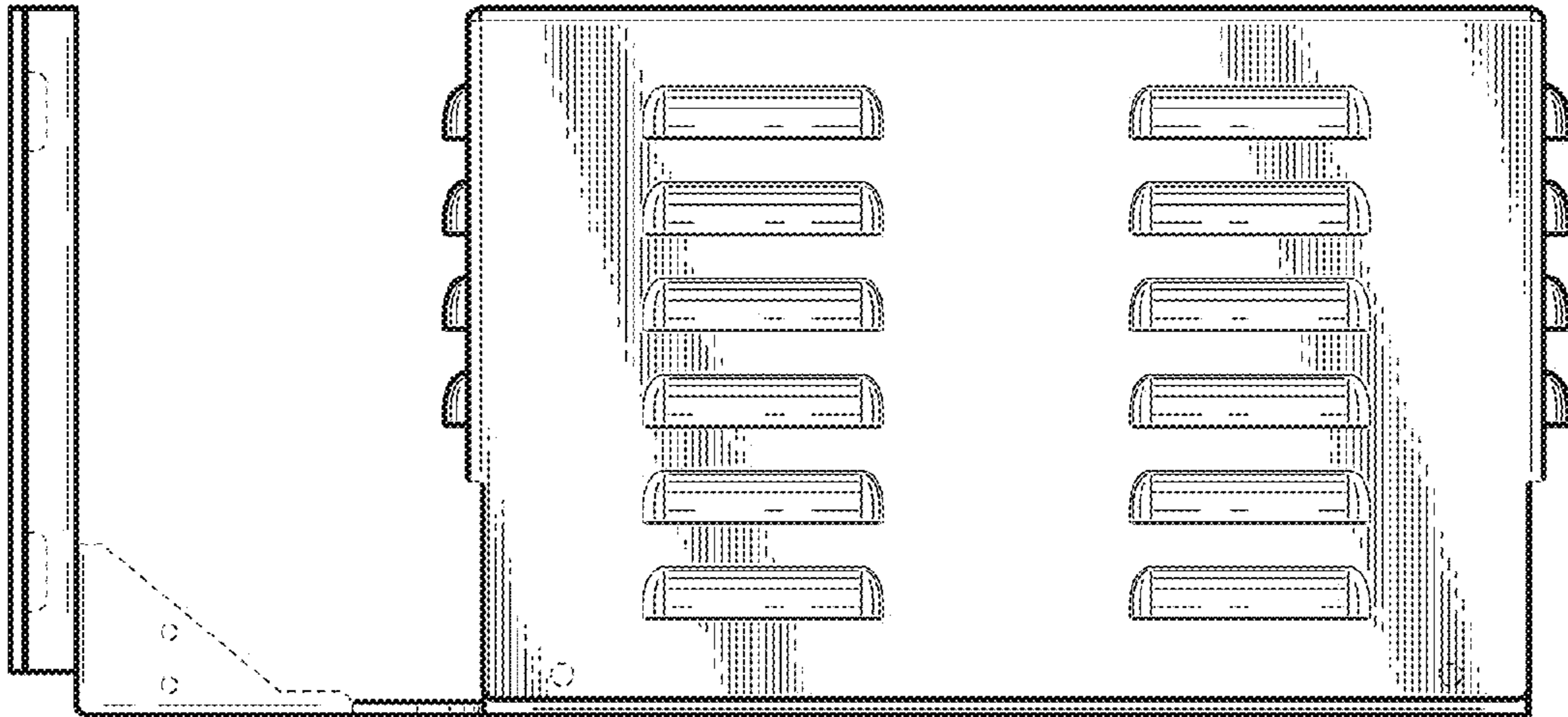


FIG. 18

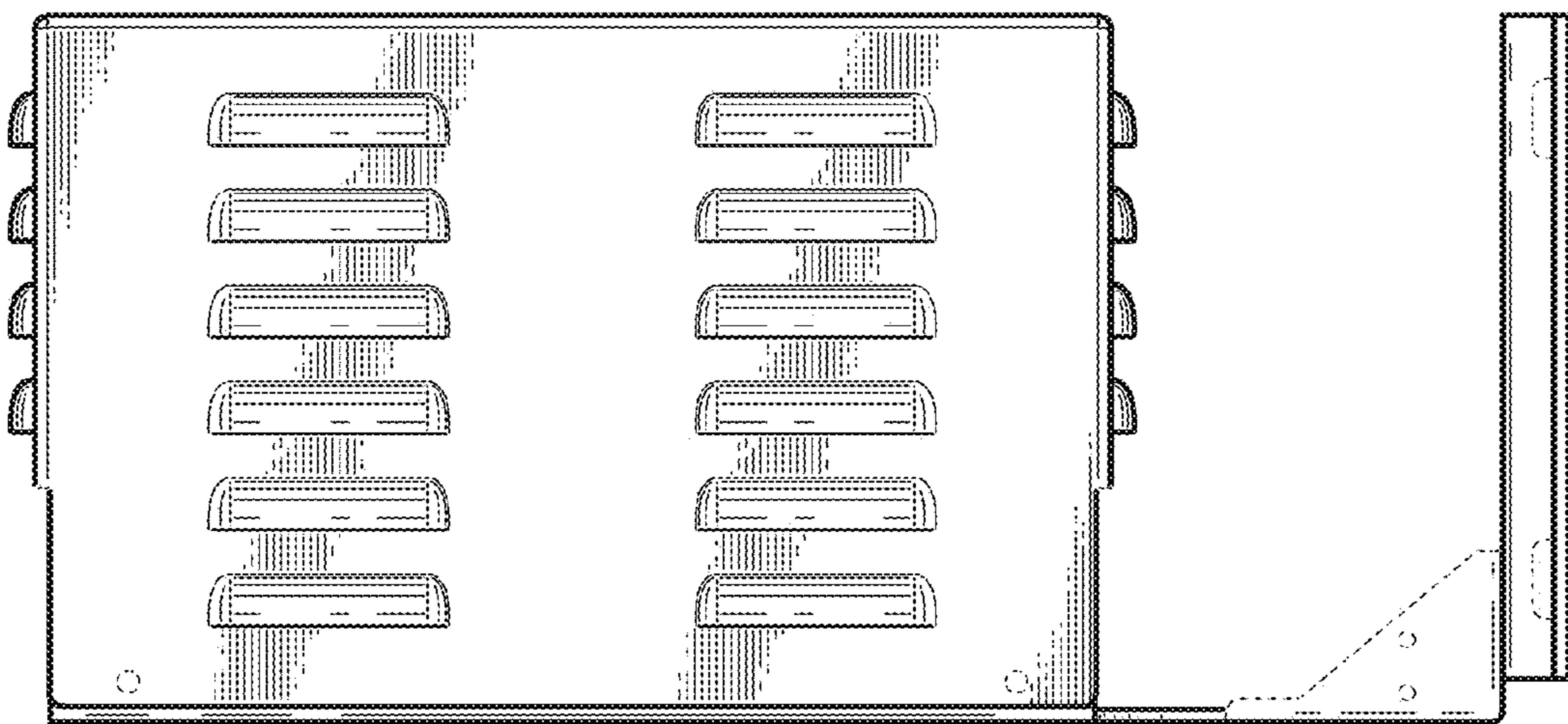


FIG. 19

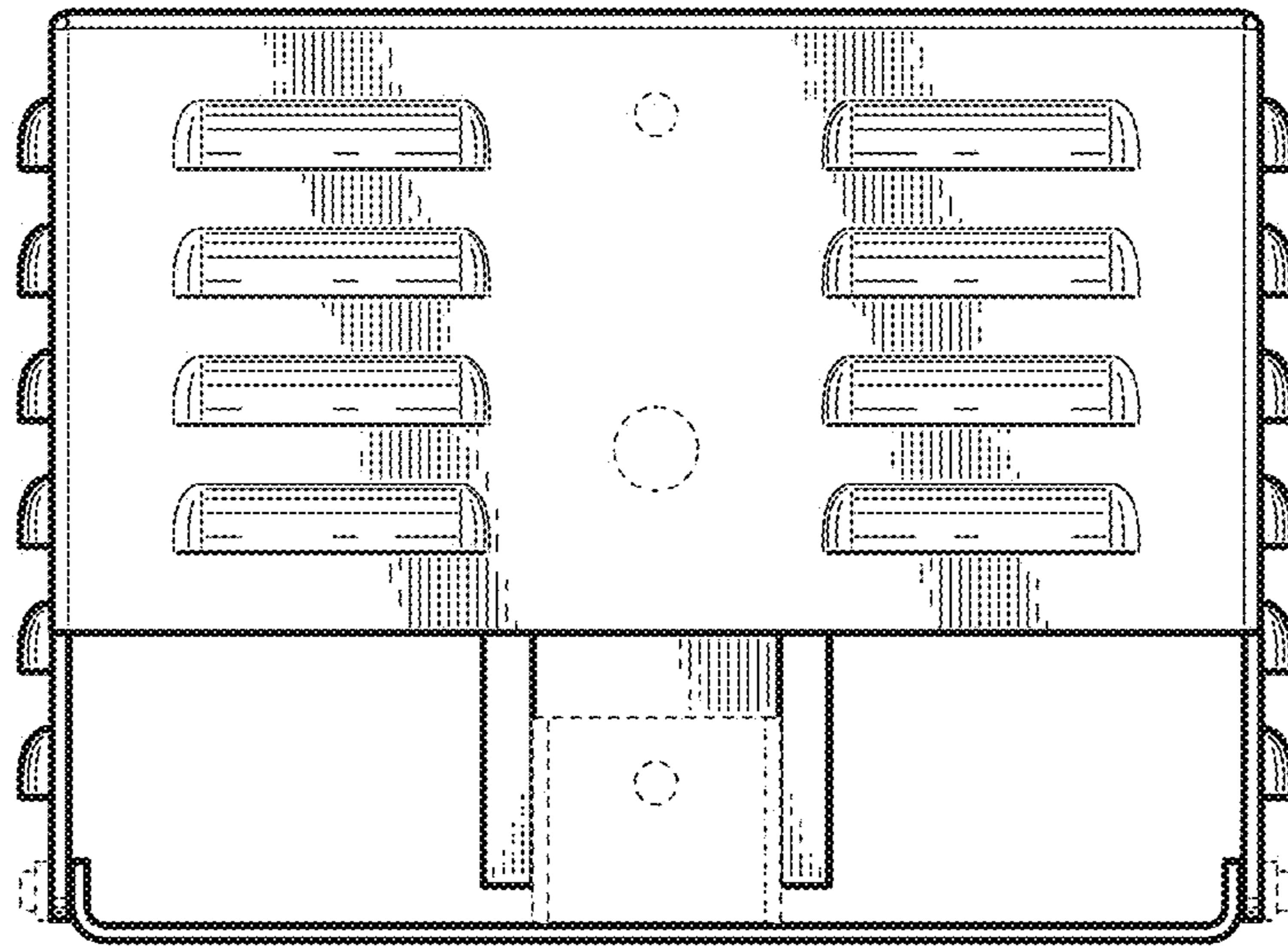


FIG. 20

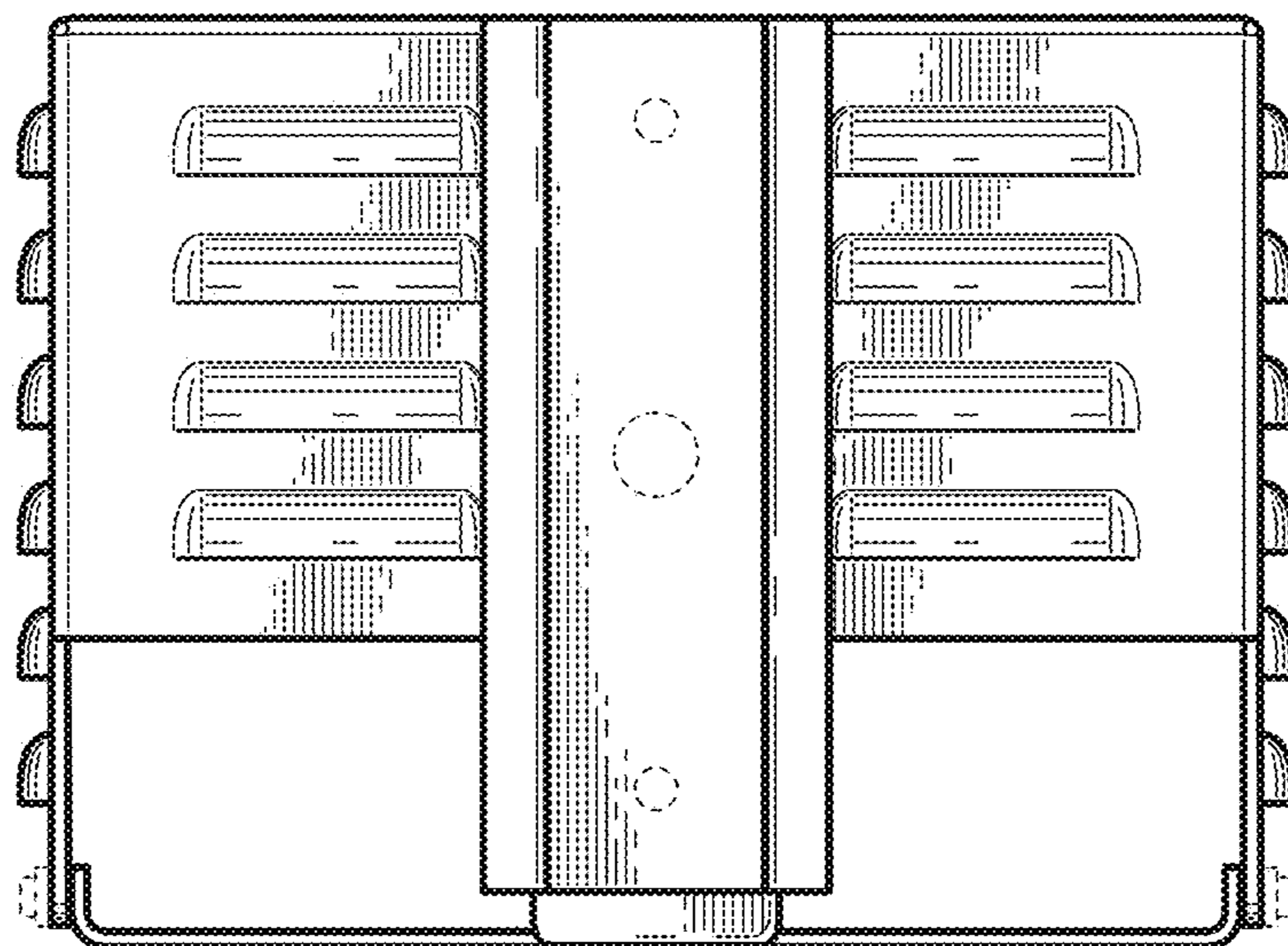


FIG. 21

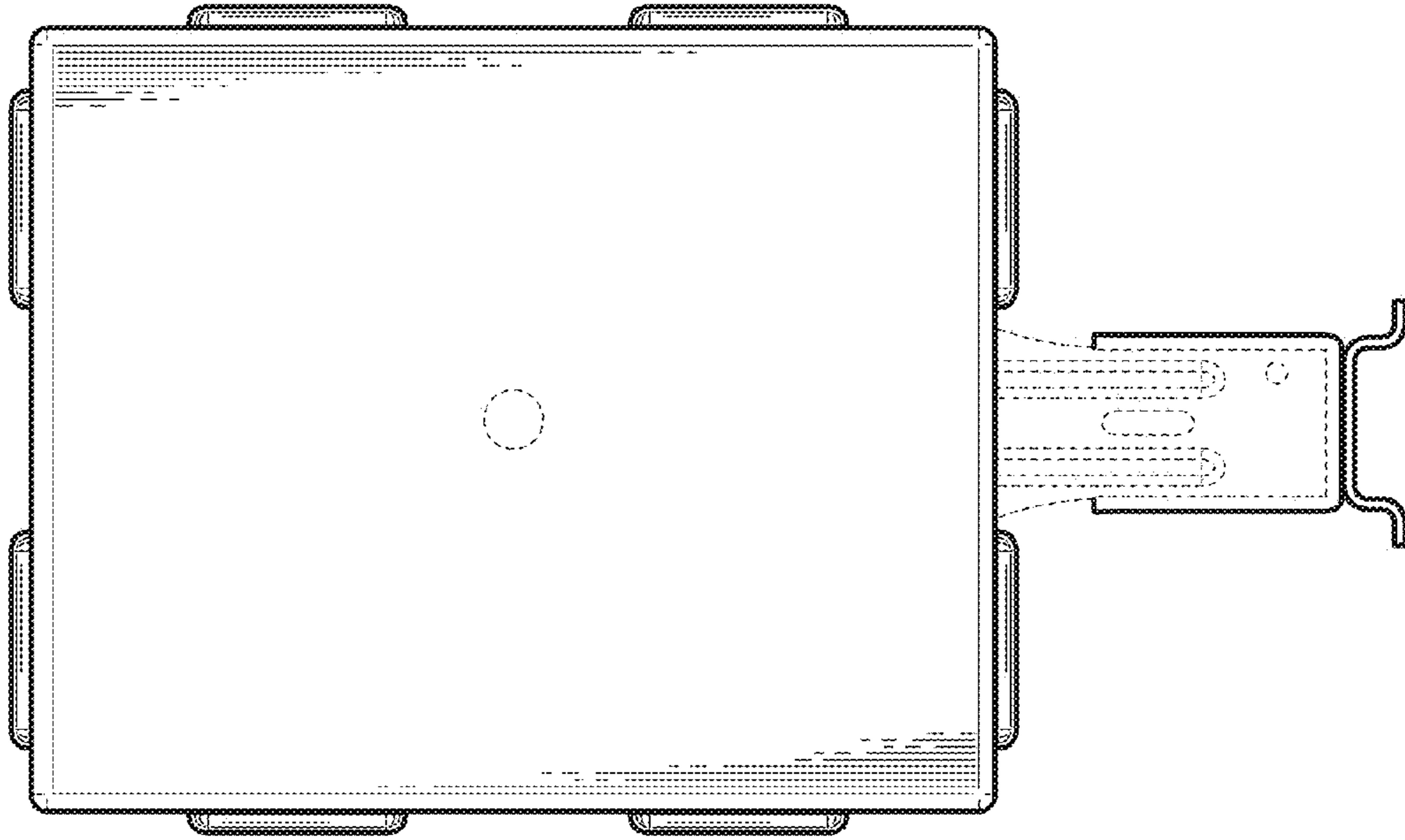


FIG. 22

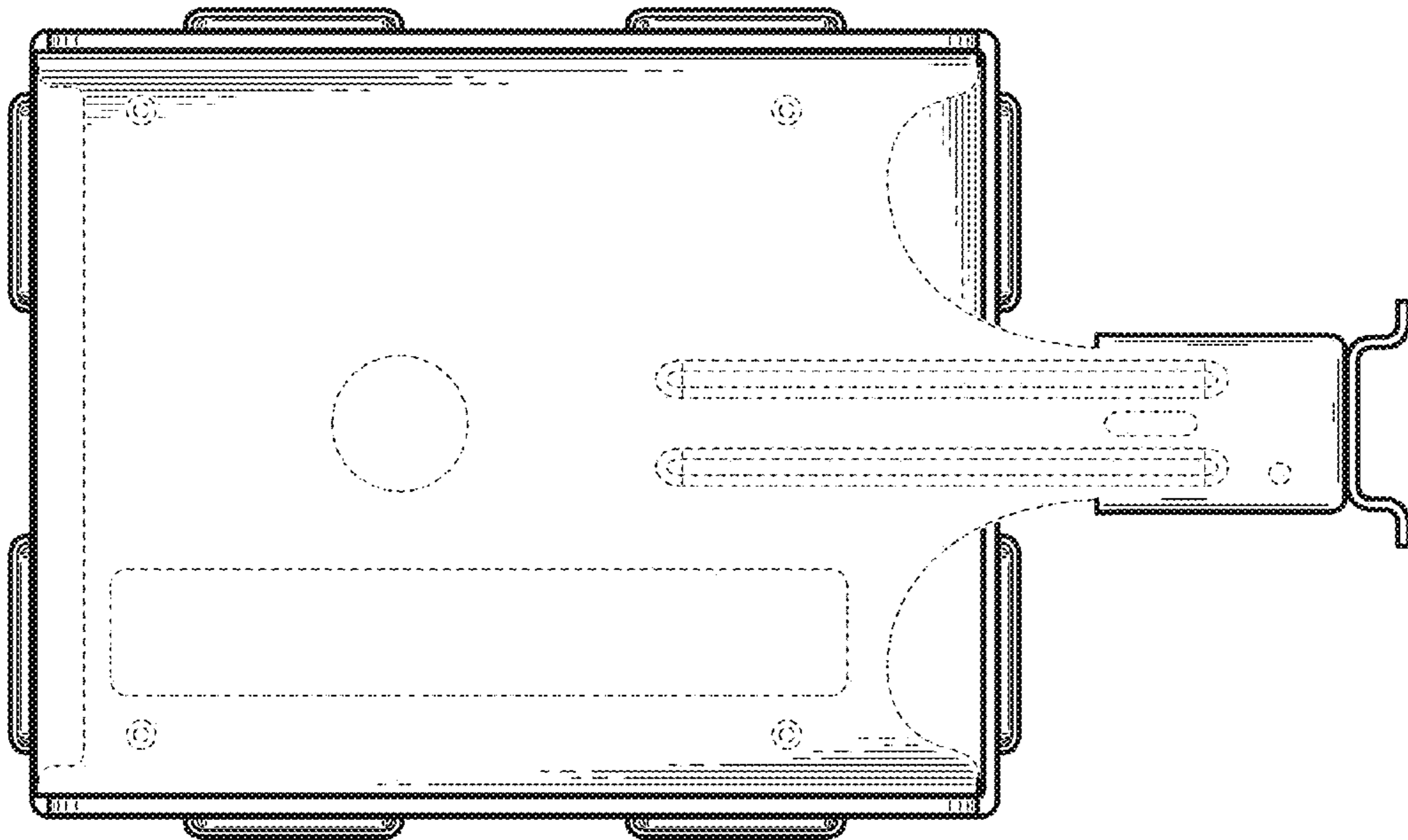


FIG. 23