



US00D683609S

(12) **United States Design Patent**  
**Frank et al.**

(10) **Patent No.:** **US D683,609 S**  
(45) **Date of Patent:** **\*\* Jun. 4, 2013**

(54) **HINGE**

(75) Inventors: **Manfred Johannes Frank**, Papakura (NZ); **Michael Gordon Graham**, Bombay (NZ); **Michael Kevin Scheib**, Auckland (NZ)

(73) Assignee: **Manfred Frank Patent Holdings Limited** (NZ)

(\*\*) Term: **14 Years**

(21) Appl. No.: **29/385,086**

(22) Filed: **Feb. 8, 2011**

(30) **Foreign Application Priority Data**

Aug. 9, 2010 (NZ) ..... 413906

(51) **LOC (9) Cl.** ..... **08-06**

(52) **U.S. Cl.**  
USPC ..... **D8/323**

(58) **Field of Classification Search**  
USPC ..... D8/328, 323, 324, 330, 325, 327, D8/331, 336, 353, 338, 329, 355, 356; D16/334; 4/236, 240; 16/309, 235, 275, 244, 379, 390, 16/430, 241, 238, 245, 236, 243, 242, 385, 16/225, 250; 49/381; D23/302, 303; 248/682; D10/69; 33/347, 365-390; D3/905  
See application file for complete search history.

(56) **References Cited**

U.S. PATENT DOCUMENTS

D4,489	S	*	11/1870	Tiffany	.....	D8/323
2,050,045	A	*	8/1936	Eden, Jr.	.....	72/261
D299,616	S	*	1/1989	Ferrari	.....	D8/323
5,253,390	A	*	10/1993	Gross et al.	.....	16/257
5,577,297	A	*	11/1996	Lautenschlager et al.	.....	16/382
D395,590	S	*	6/1998	Finkelstein et al.	.....	D8/323
D451,000	S	*	11/2001	Karl	.....	D8/323
6,760,955	B2	*	7/2004	Salice	.....	16/382
7,100,245	B2	*	9/2006	Wohlfarth	.....	16/367
8,225,460	B2	*	7/2012	Hooton et al.	.....	16/367

\* cited by examiner

*Primary Examiner* — Cynthia Underwood

(74) *Attorney, Agent, or Firm* — Blakely, Sokoloff, Taylor & Zafman

(57) **CLAIM**

The ornamental design for a hinge, as shown and described.

**DESCRIPTION**

FIG. 1 is a front, side perspective view illustrating our new design.

FIG. 2 is a side elevation view thereof.

FIG. 3 is a rear elevation view thereof.

FIG. 4 is a side elevation view from the side opposite the one shown in Figure.

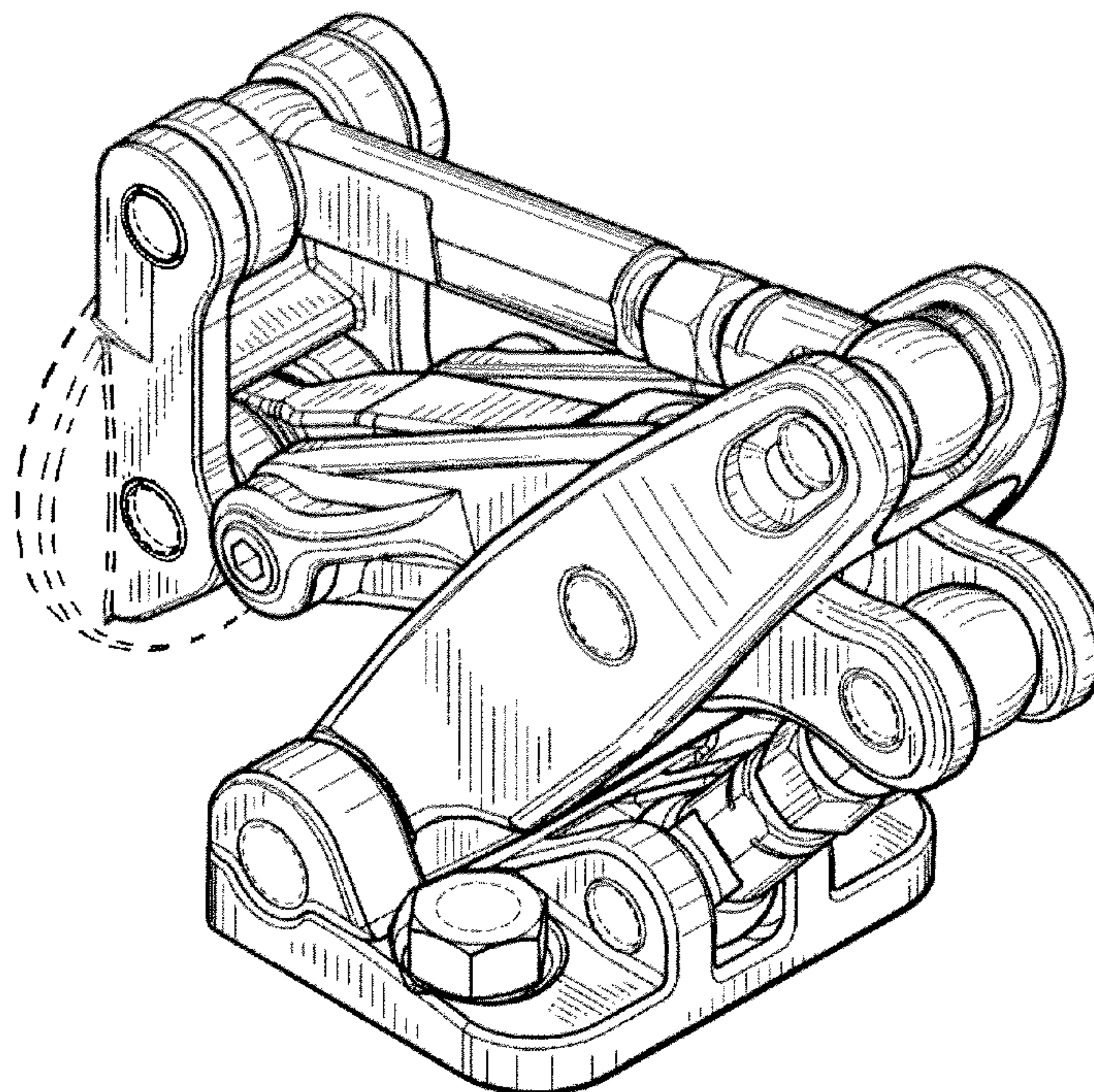
FIG. 5 is a top plan view thereof.

FIG. 6 is a front elevation view thereof; and,

FIG. 7 is a bottom plan view thereof.

The broken lines are included for illustrative purposes and form no part of the claimed design.

**1 Claim, 7 Drawing Sheets**





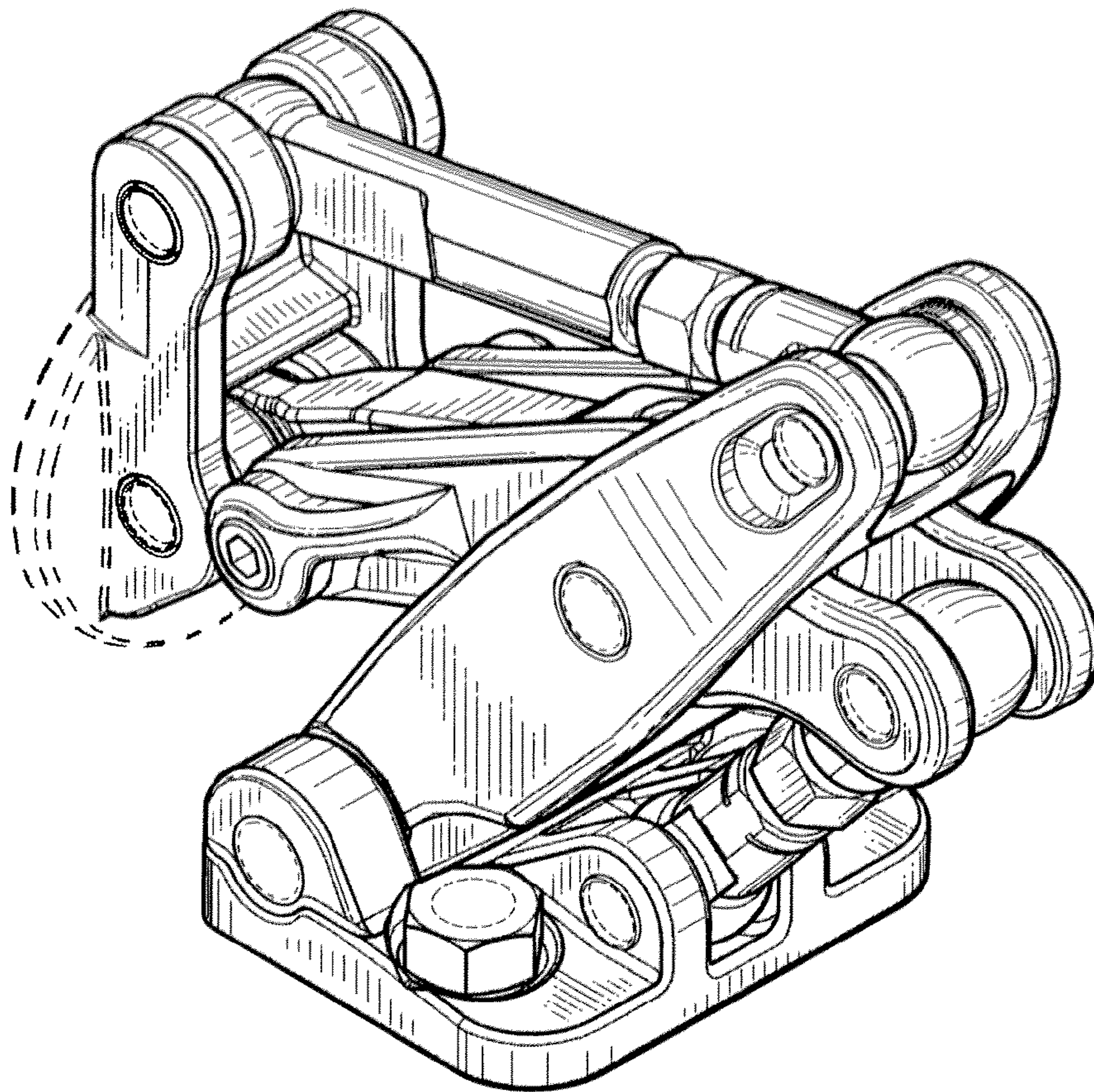


FIG. 1

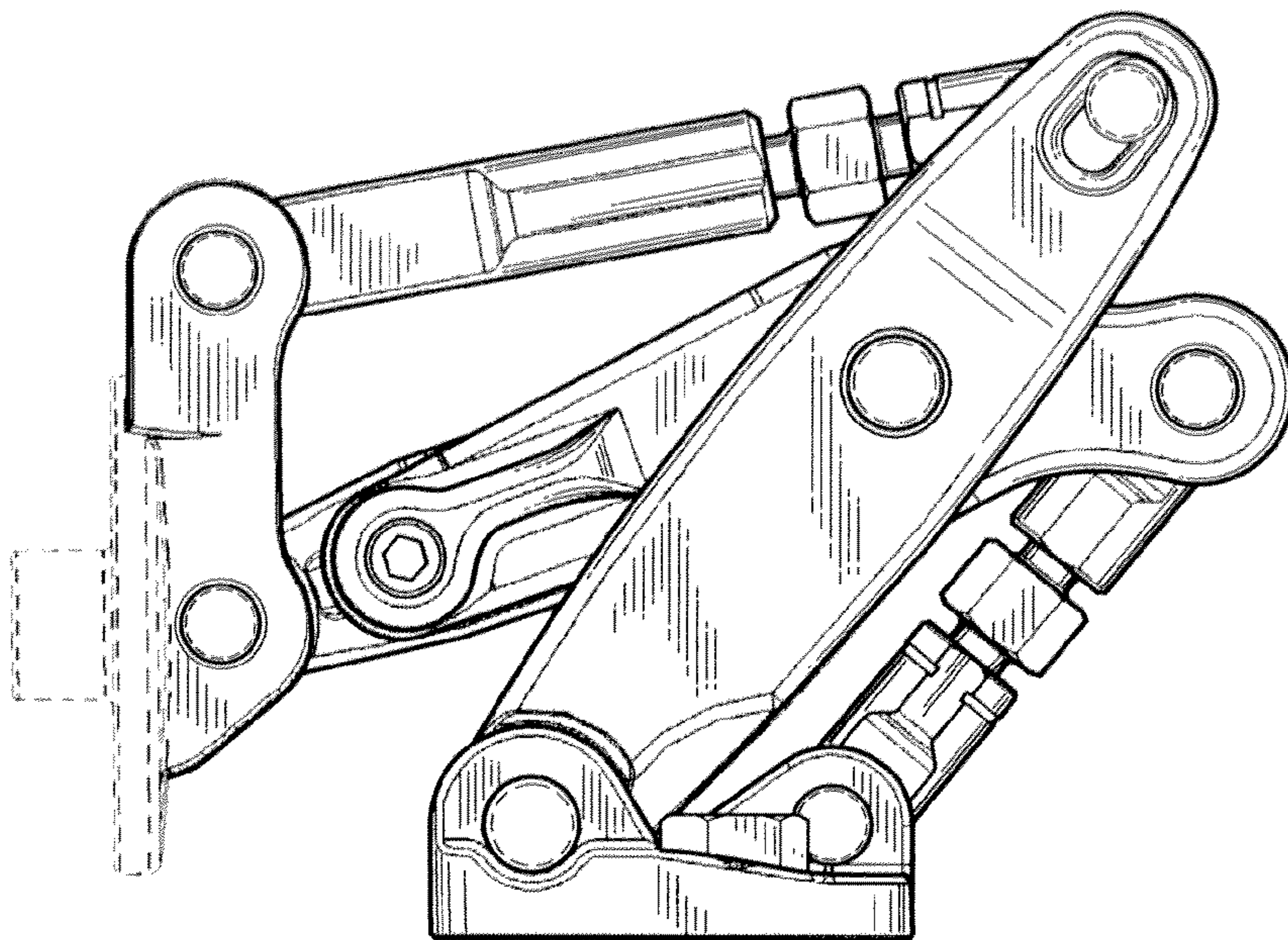


FIG. 2

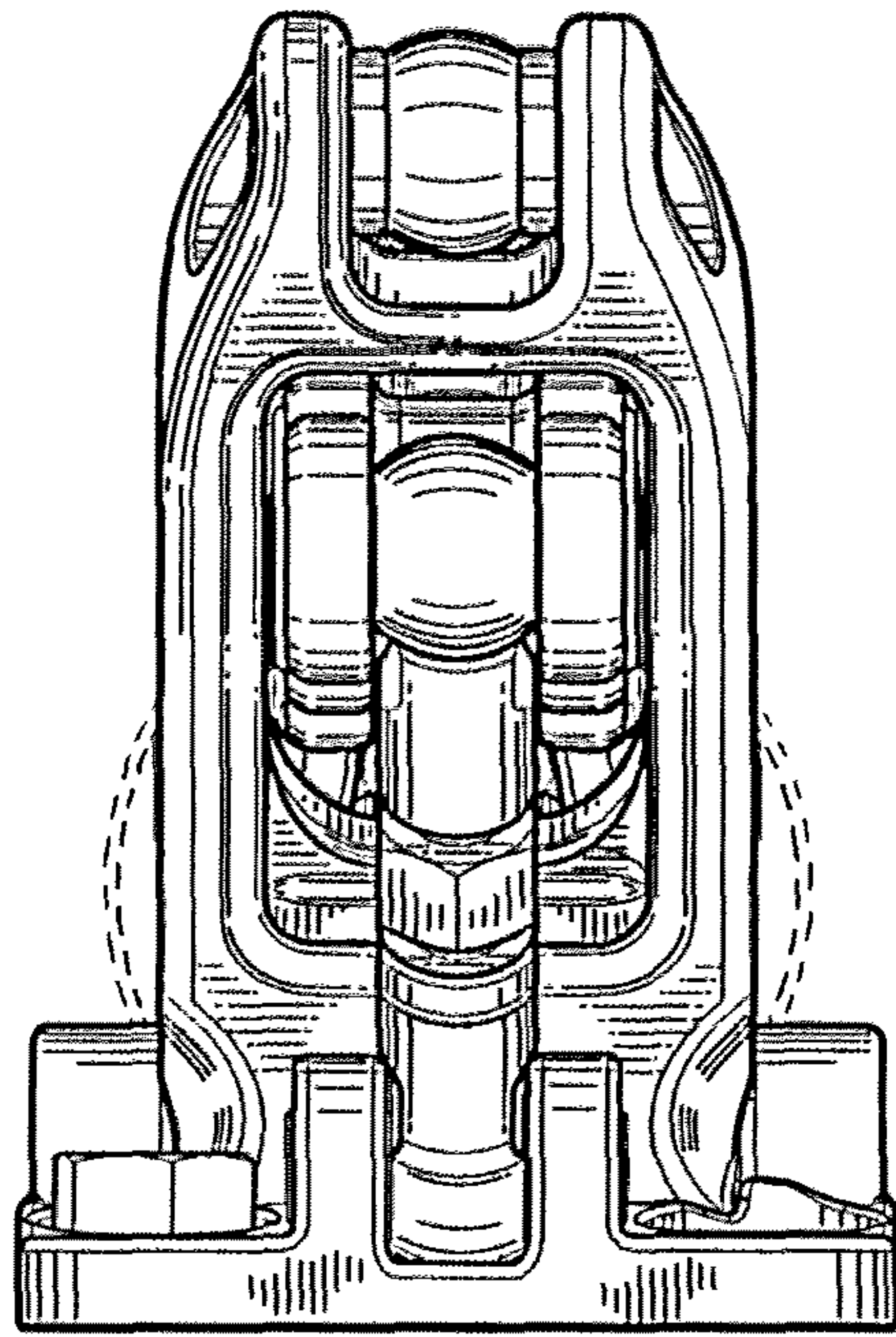


FIG. 3



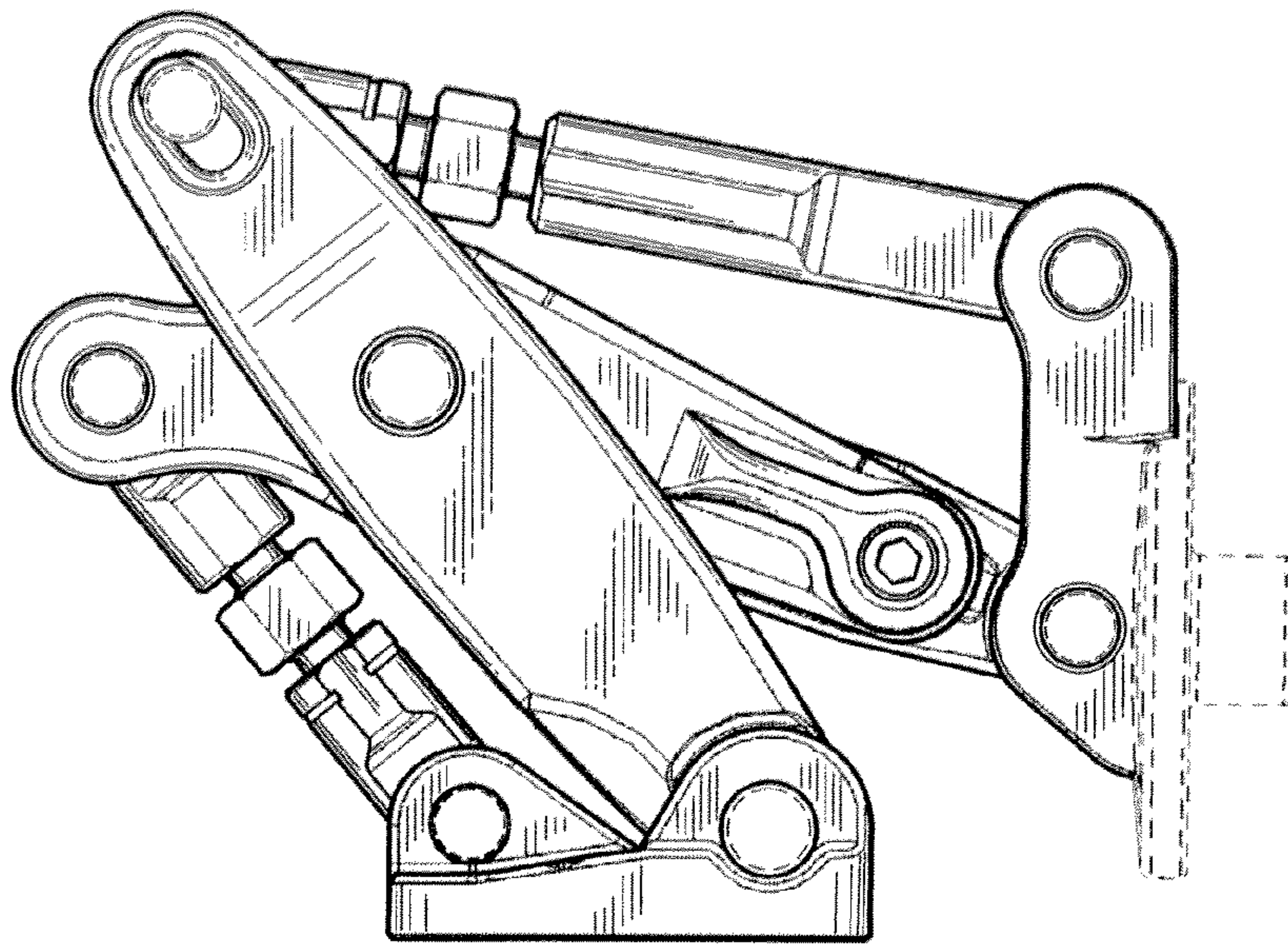


FIG. 4

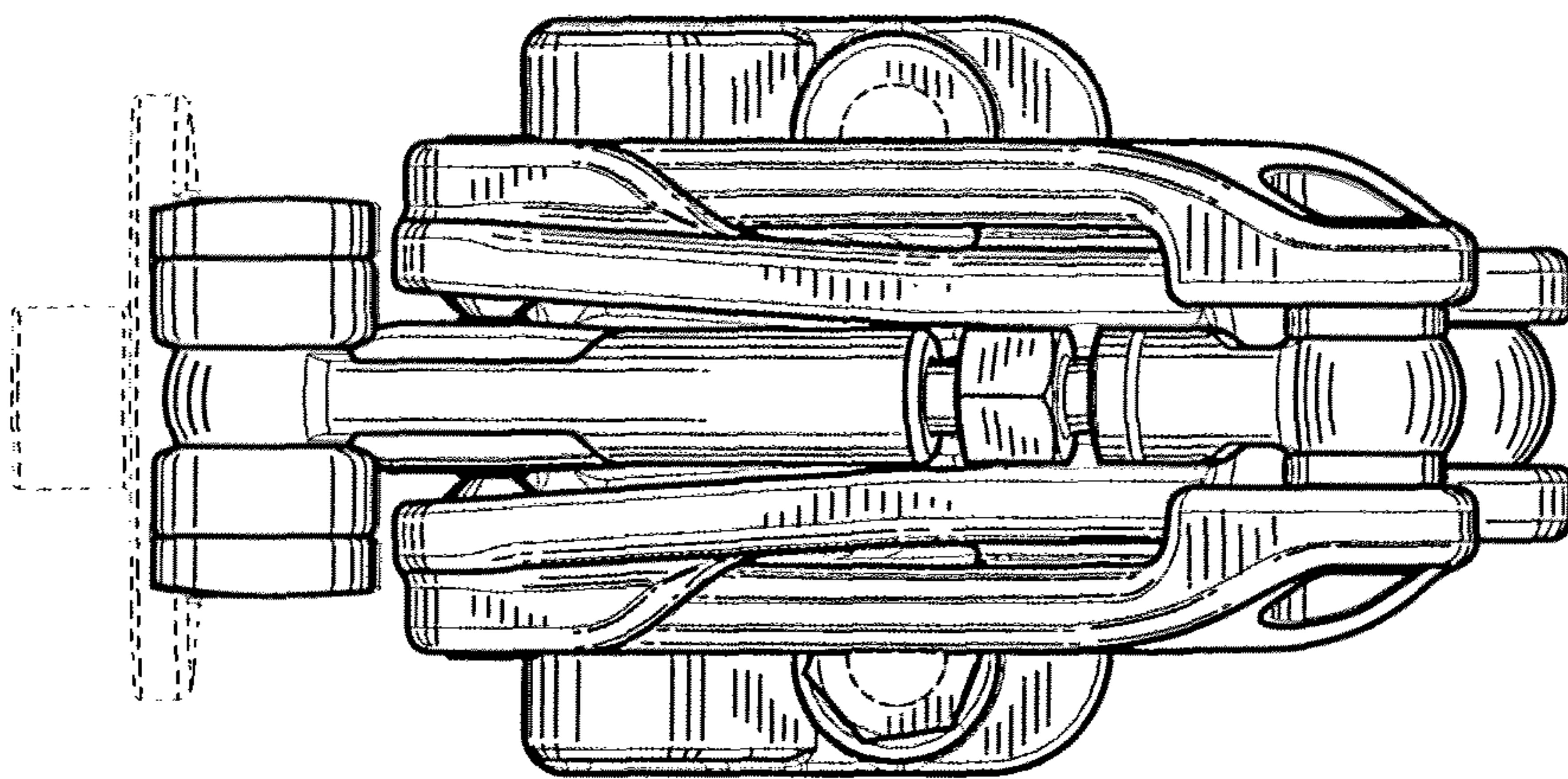


FIG. 5

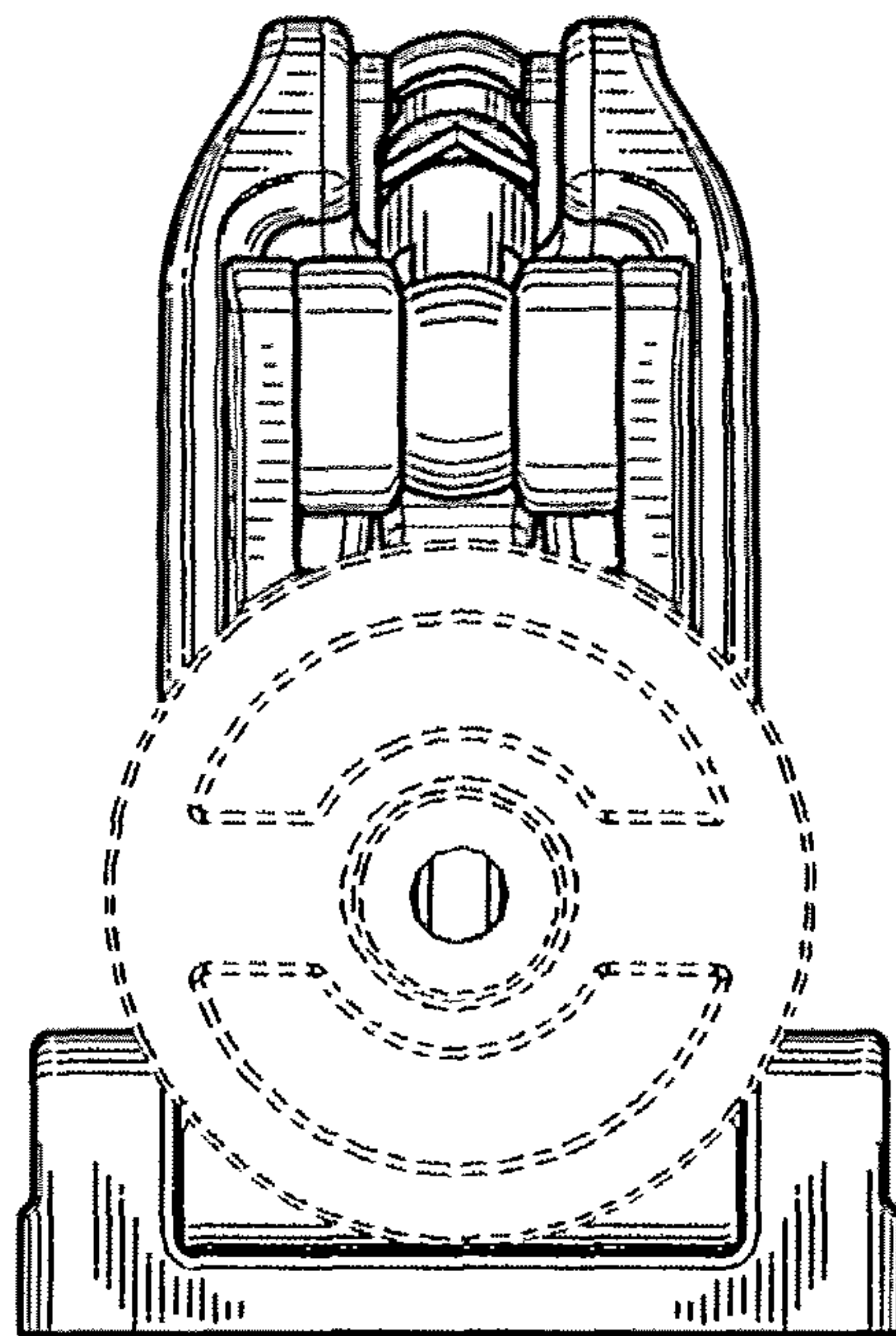


FIG. 6

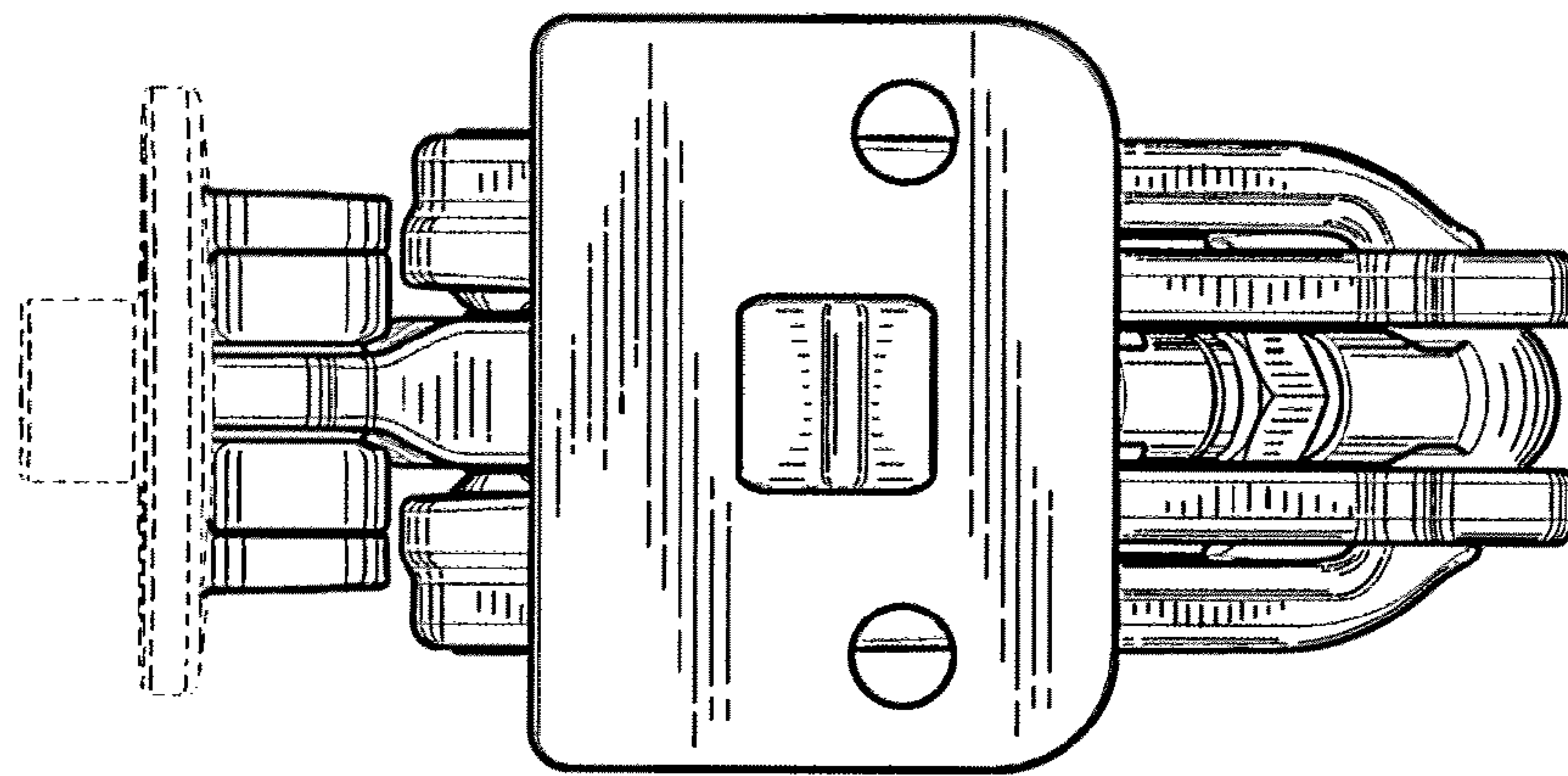


FIG. 7