



US00D683608S

(12) **United States Design Patent**
Trice

(10) **Patent No.:** **US D683,608 S**
(45) **Date of Patent:** **** Jun. 4, 2013**

- (54) **DEMOLITION TOOL HANDLE AND TOOL END**
- (75) Inventor: **Evers C. Trice**, Frederick, MD (US)
- (73) Assignee: **Trice Enterprise, LLC**, Frederick, MD (US)
- (**) Term: **14 Years**
- (21) Appl. No.: **29/421,504**
- (22) Filed: **Aug. 3, 2012**

6,543,824	B2	4/2003	Beaudrie	
D525,506	S *	7/2006	Downing, Jr.	D8/78
D558,552	S *	1/2008	Kuo	D8/75
D562,101	S *	2/2008	Martone et al.	D8/89
D567,620	S *	4/2008	Martone et al.	D8/81
D579,301	S *	10/2008	Jones	D8/105
D595,555	S *	7/2009	Vanderbeek	D8/89
D604,136	S *	11/2009	Youngren et al.	D8/78
D605,020	S *	12/2009	Martone et al.	D8/79
7,634,830	B2	12/2009	Ryan	
8,024,994	B2 *	9/2011	St. John et al.	81/22
8,117,702	B2 *	2/2012	Woolley et al.	7/146
2003/0192187	A1	10/2003	Bean	
2007/0234575	A1	10/2007	Petty	
2009/0000097	A1	1/2009	Dapkins, Jr. et al.	
2009/0271929	A1 *	11/2009	Adams et al.	7/144
2009/0276962	A1 *	11/2009	Adams et al.	7/144
2012/0272459	A1 *	11/2012	Trice	7/144

Related U.S. Application Data

- (63) Continuation of application No. 13/064,955, filed on Apr. 28, 2011.
- (51) **LOC (9) Cl.** **08-02**
- (52) **U.S. Cl.**
USPC **D8/78**
- (58) **Field of Classification Search**
USPC . D8/14, 47, 75, 78-81, 105, 107; 7/143-147; 81/20-24; 254/26 R
See application file for complete search history.

* cited by examiner

Primary Examiner — Philip S Hyder
Assistant Examiner — Roselynn Cody
(74) *Attorney, Agent, or Firm* — Breiner & Breiner, L.L.C.

(57) **CLAIM**

The ornamental design for a demolition tool handle and tool end, as shown and described.

DESCRIPTION

FIG. 1 is a perspective view of the demolition tool handle and tool end;
FIG. 2 is a side view thereof, the opposite side being a mirror image;
FIG. 3 is a top view thereof;
FIG. 4 is a bottom view thereof;
FIG. 5 is a first end view thereof; and,
FIG. 6 is a second end view thereof.
The broken lines in the drawings illustrate a portion of the demolition tool handle and tool end that forms no part of the claim.

(56) **References Cited**

U.S. PATENT DOCUMENTS

905,676	A *	12/1908	Evans	254/26 R
1,042,177	A *	10/1912	Vredenburg	254/26 R
D57,662	S *	4/1921	Kingston et al.	D8/81
1,536,319	A	5/1925	Yost	
D110,735	S *	8/1938	Rubel	D8/75
D140,821	S *	4/1945	MacWithey	D8/79
2,490,684	A	12/1949	Gosselin	
D262,186	S *	12/1981	Royce	D8/79
D291,402	S *	8/1987	Square	D8/75
D300,111	S *	3/1989	Square	D8/75
5,088,174	A	2/1992	Hull et al.	
5,428,853	A	7/1995	Menke et al.	
D369,734	S *	5/1996	Sanger	D8/78

1 Claim, 1 Drawing Sheet

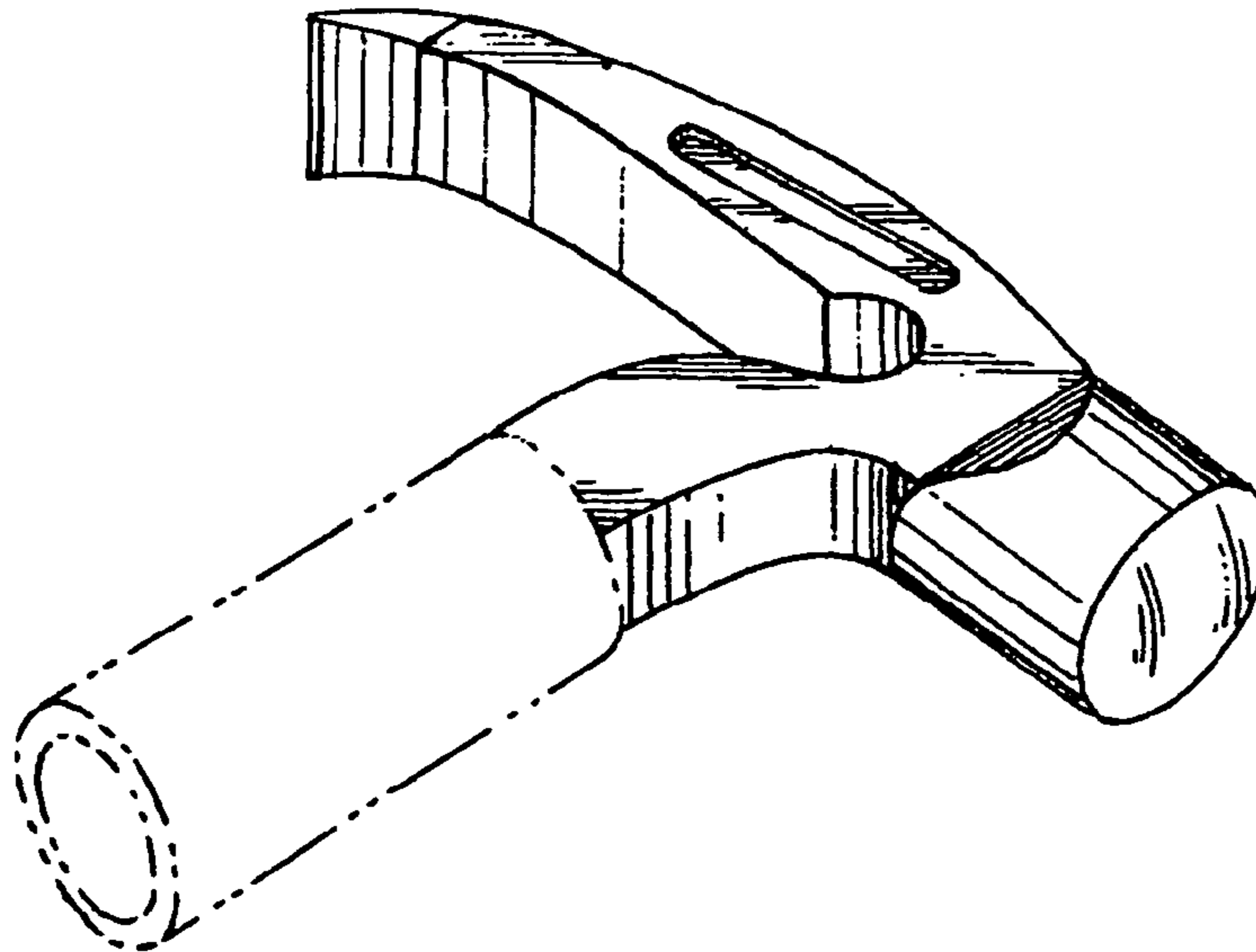


FIG. 3

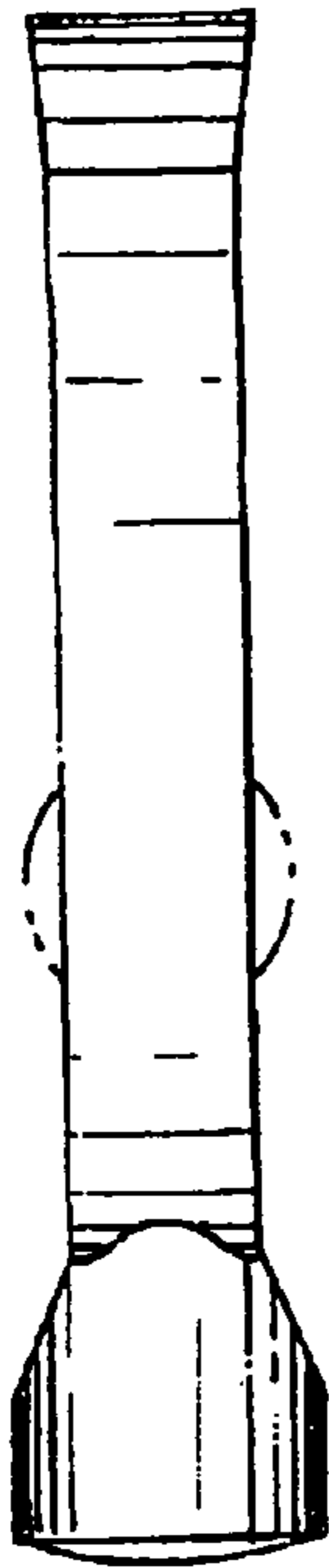


FIG. 1

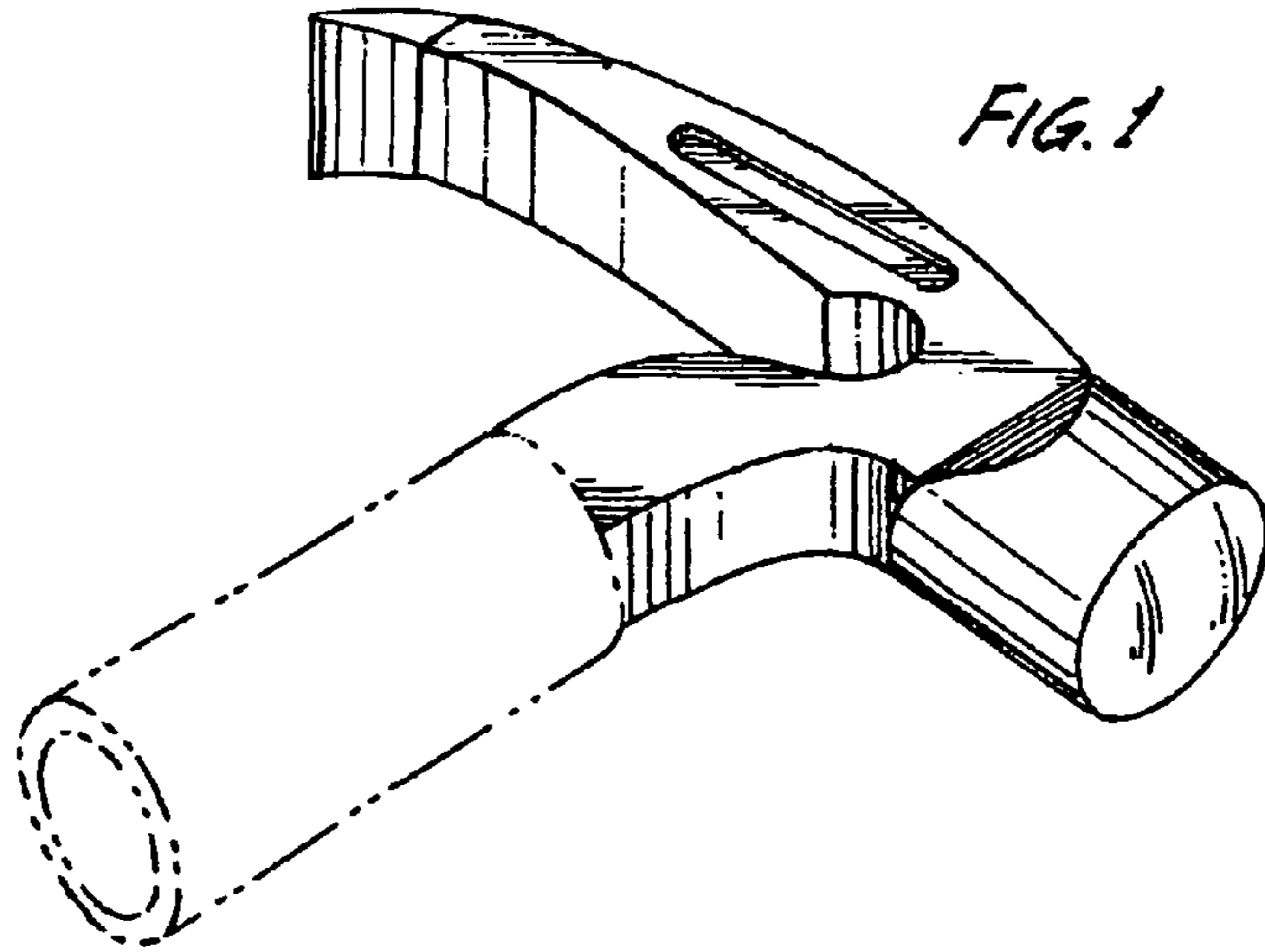


FIG. 2

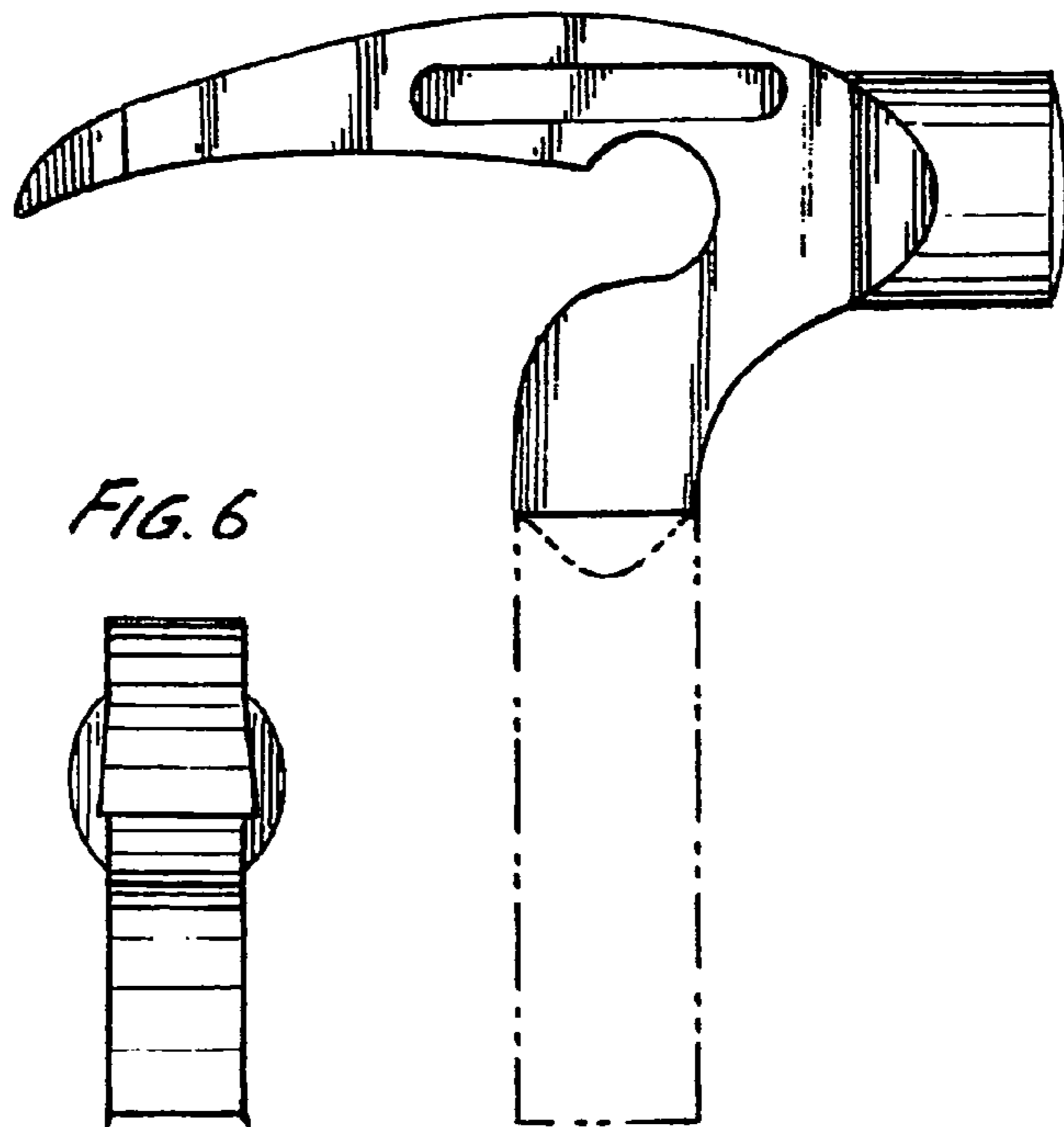


FIG. 4

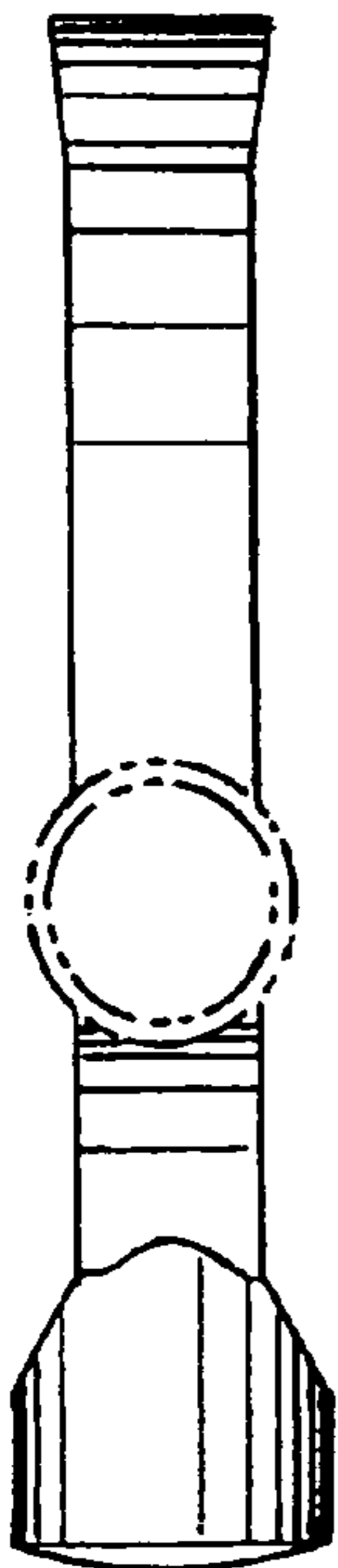


FIG. 5

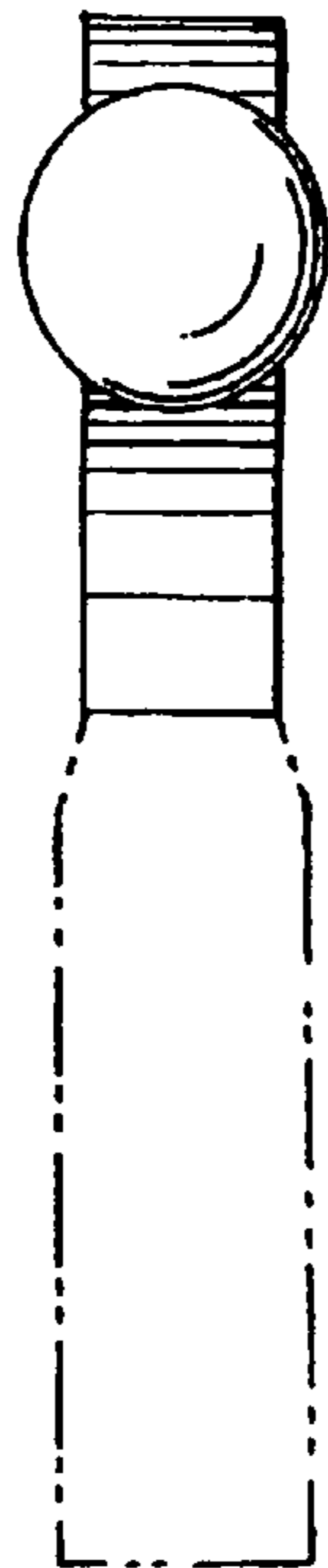


FIG. 6

