



US00D683606S

(12) **United States Design Patent**
Keith, Jr. et al.

(10) **Patent No.:** **US D683,606 S**
(45) **Date of Patent:** **** *Jun. 4, 2013**

(54) **PORTION OF A TOOL HEAD**

(75) Inventors: **James A. Keith, Jr.**, Pickens, SC (US);
Michael E. Buckner, Clemson, SC
(US); **Ronald C. McCurry**, West Union,
SC (US)

(73) Assignee: **Techtronic Power Tools Technology
Limited**, Tortola (VG)

(*) Notice: This patent is subject to a terminal dis-
claimer.

(**) Term: **14 Years**

(21) Appl. No.: **29/389,778**

(22) Filed: **Apr. 15, 2011**

(51) **LOC (9) Cl.** **08-05**

(52) **U.S. Cl.**
USPC **D8/70**

(58) **Field of Classification Search**

USPC ... D8/70, 71; 81/57.12, 57.13, 57.29; 173/29,
173/216, 217; 279/22, 103, 143; 362/119;
408/239 A; 409/182; 451/358, 359
See application file for complete search history.

(56) **References Cited**

U.S. PATENT DOCUMENTS

2,539,387 A	1/1951	Alden
2,726,689 A	12/1955	Busby
2,808,085 A	10/1957	Hollien et al.
2,808,749 A	10/1957	Lampke
3,009,493 A	11/1961	Dodegge
3,260,541 A	7/1966	Sadler et al.
3,574,374 A	4/1971	Keller et al.
3,703,089 A	11/1972	Geisthoff et al.
3,724,237 A	4/1973	Wood
3,734,515 A	5/1973	Dudek
3,759,336 A	9/1973	Marcovitz et al.
3,952,239 A	4/1976	Owings et al.
4,078,589 A	3/1978	Miller

(Continued)

FOREIGN PATENT DOCUMENTS

EP 1129825 A2 5/2001
WO 2008057023 A1 5/2008

OTHER PUBLICATIONS

Notice of Allowance from the United States Patent and Trademark
Office for U.S. Appl. No. 29/389,759 dated Jul. 11, 2012 (10 pages).

(Continued)

Primary Examiner — Philip S Hyder

Assistant Examiner — John T Applewhite

(74) *Attorney, Agent, or Firm* — Michael Best & Friedrich
LLP

(57) **CLAIM**

We claim the ornamental design for the portion of a tool head,
as shown and described.

DESCRIPTION

FIG. 1 is a perspective view of a portion of a tool head
embodying the invention.

FIG. 2 is a right side view of the portion of a tool head shown
in FIG. 1.

FIG. 3 is a left side view of the portion of a tool head shown
in FIG. 1.

FIG. 4 is a front view of the portion of a tool head shown in
FIG. 1.

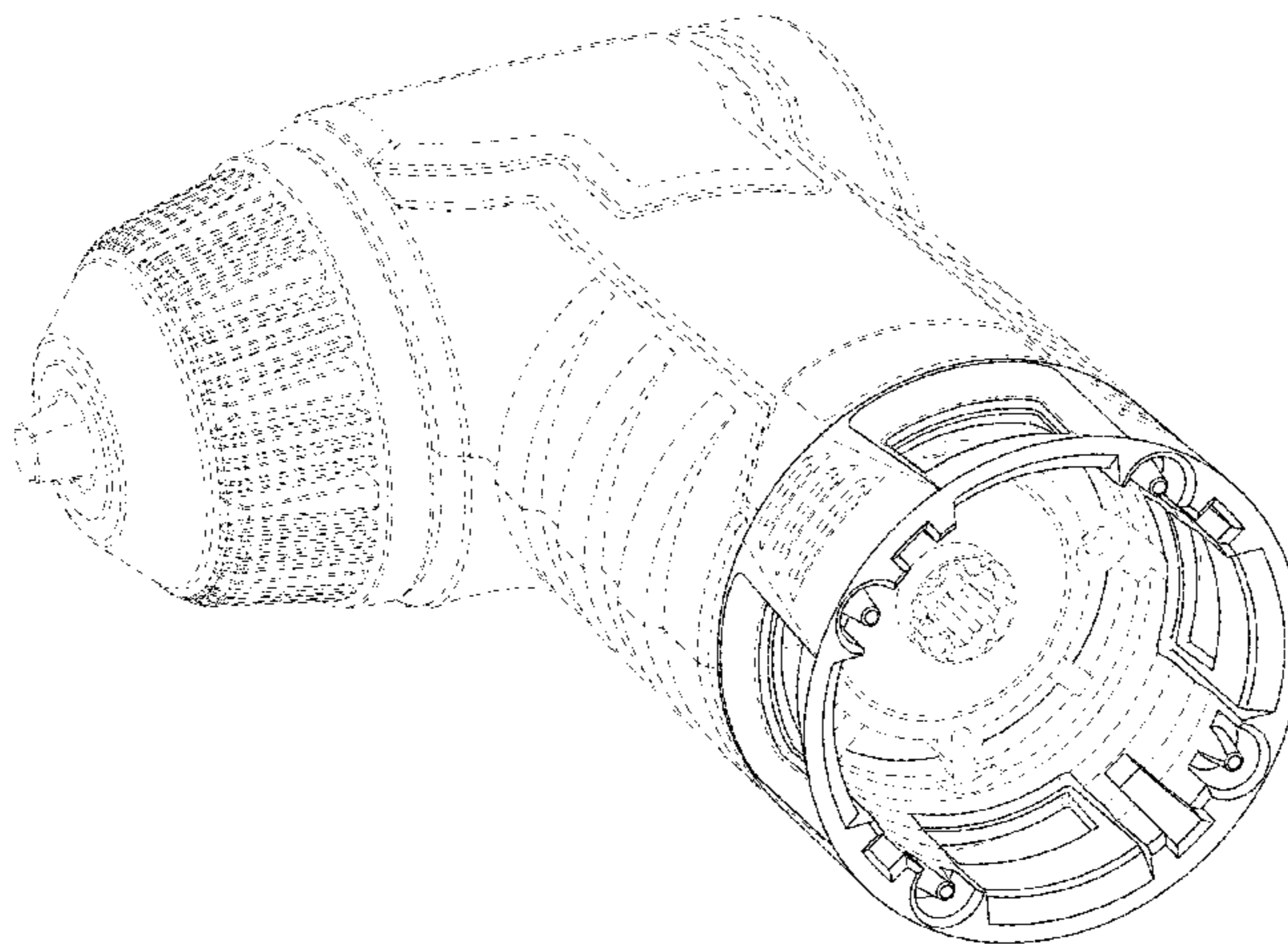
FIG. 5 is a rear view of the portion of a tool head shown in
FIG. 1.

FIG. 6 is a top view of the portion of a tool head shown in FIG.
1; and,

FIG. 7 is a bottom view of the portion of a tool head shown in
FIG. 1.

The broken lines illustrate portions of the portion of a tool
head that form no part of claimed design.

1 Claim, 4 Drawing Sheets



US D683,606 S

Page 2

U.S. PATENT DOCUMENTS

RE30,680	E *	7/1981	Kress et al.	464/177	7,069,816	B1	7/2006	Saathoff et al.	
4,346,630	A	8/1982	Hanson		7,077,736	B2	7/2006	Uzumcu et al.	
4,392,836	A *	7/1983	Sugawara	464/52	7,100,705	B2	9/2006	Ortt et al.	
4,448,098	A	5/1984	Totsu		7,137,457	B2	11/2006	Frauhammer et al.	
4,524,649	A	6/1985	Diaz et al.		D533,041	S	12/2006	Pozgay et al.	
4,639,163	A	1/1987	Buthe et al.		7,273,159	B2	9/2007	Brotto	
4,813,808	A	3/1989	Gehrke		D554,461	S	11/2007	Kokawa et al.	
4,974,475	A	12/1990	Lord et al.		7,306,050	B2	12/2007	Chen	
5,033,552	A *	7/1991	Hu	173/217	7,413,025	B2	8/2008	Provost	
5,052,496	A	10/1991	Albert et al.		D580,247	S	11/2008	Taniguchi et al.	
D322,954	S	1/1992	Avramovich		D587,978	S *	3/2009	Aglassinger	D8/70
5,170,851	A	12/1992	Kress et al.		D588,891	S	3/2009	Hayakawa et al.	
5,562,015	A	10/1996	Zinck		7,509,894	B2	3/2009	Chen	
5,771,516	A *	6/1998	Huang	7/100	7,549,953	B2	6/2009	Walters	
5,993,454	A *	11/1999	Longo	606/80	7,568,288	B2	8/2009	Baker	
D420,267	S	2/2000	Robson		7,578,730	B2	8/2009	Chen	
6,039,126	A	3/2000	Hsieh		7,596,872	B2	10/2009	Clarke et al.	
6,153,838	A	11/2000	Wadge		D626,068	S	10/2010	Giefers et al.	
6,170,579	B1	1/2001	Wadge		D626,395	S *	11/2010	Lau et al.	D8/70
6,176,322	B1	1/2001	Wadge		D626,398	S *	11/2010	Lau et al.	D8/107
6,206,107	B1	3/2001	Wadge		D626,506	S	11/2010	Giefers et al.	
6,263,979	B1	7/2001	Dyke et al.		D638,797	S	5/2011	Ohmori	
6,263,980	B1	7/2001	Wadge		D644,184	S *	8/2011	Gilibert	D13/147
D447,035	S *	8/2001	Netzler	D8/69	D647,849	S	11/2011	Yu	
6,286,611	B1	9/2001	Bone		D649,121	S	11/2011	Urban	
D449,212	S	10/2001	Price et al.		D665,645	S *	8/2012	McRoberts et al.	D8/70
6,352,127	B1	3/2002	Yorde		2002/0020539	A1	2/2002	Driessen	
6,553,642	B2	4/2003	Driessen		2002/0148623	A1	10/2002	Pan	
6,568,298	B1	5/2003	Zinck		2004/0103761	A1	6/2004	Pillow	
6,634,439	B2	10/2003	Driessen		2007/0193761	A1	8/2007	Brotto	
6,641,467	B1	11/2003	Robson et al.		2007/0240892	A1	10/2007	Brotto et al.	
6,675,911	B2	1/2004	Driessen		2008/0136125	A1	6/2008	Hirt et al.	
6,712,368	B2 *	3/2004	Bohn et al.	279/143	2009/0272554	A1	11/2009	Young et al.	
6,715,380	B2	4/2004	Listl et al.		2012/0104746	A1 *	5/2012	Fansler et al.	285/239
6,789,447	B1	9/2004	Zinck						
6,789,448	B2	9/2004	Ono et al.						
6,915,721	B2	7/2005	Hsu et al.						
7,021,399	B2	4/2006	Driessen						
7,063,170	B2	6/2006	Ortt et al.						

OTHER PUBLICATIONS

Office Action from the United States Patent and Trademark Office for U.S. Appl. No. 29/389,776 dated Sep. 17, 2012 (6 pages).

* cited by examiner

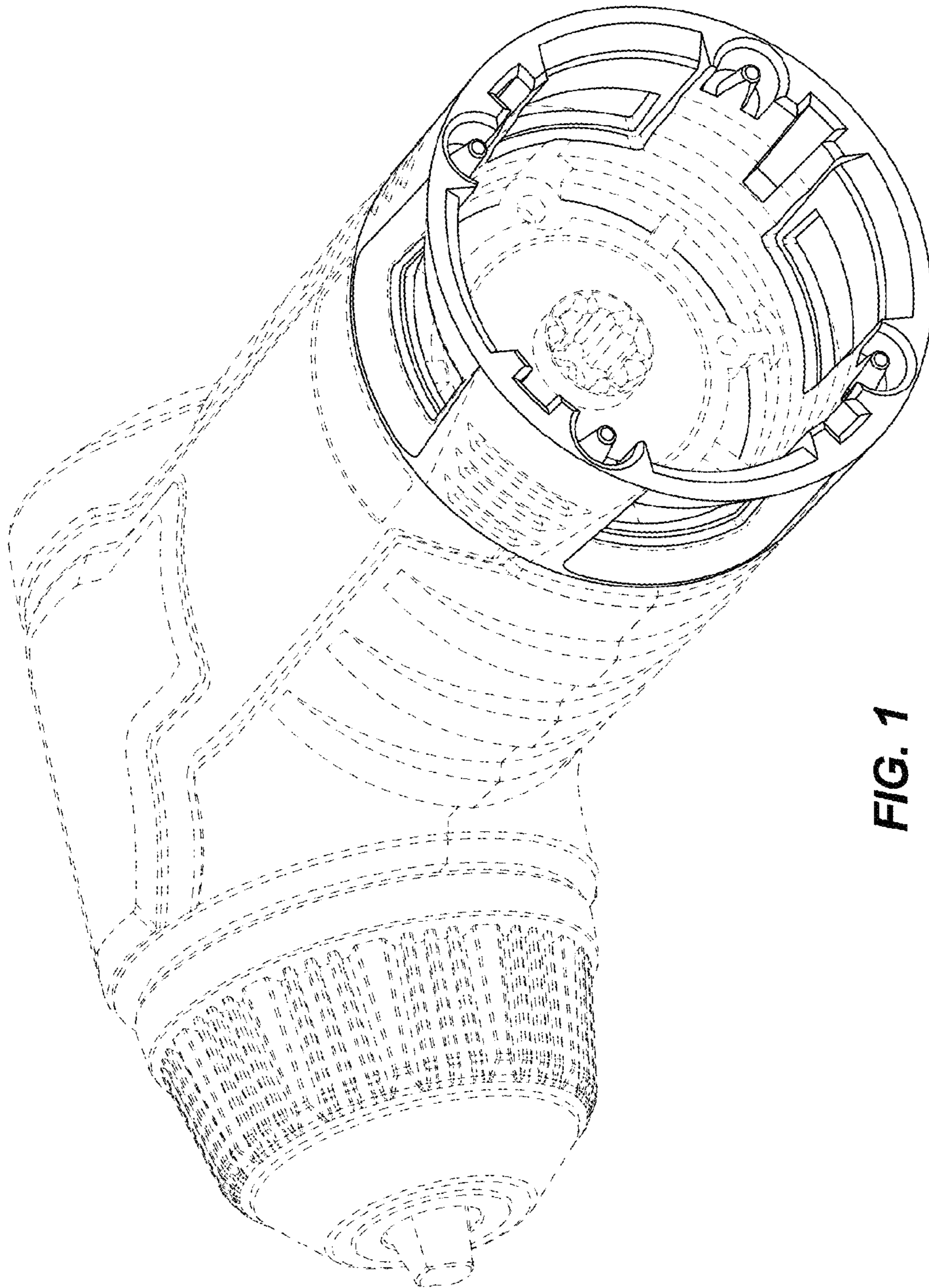


FIG. 1

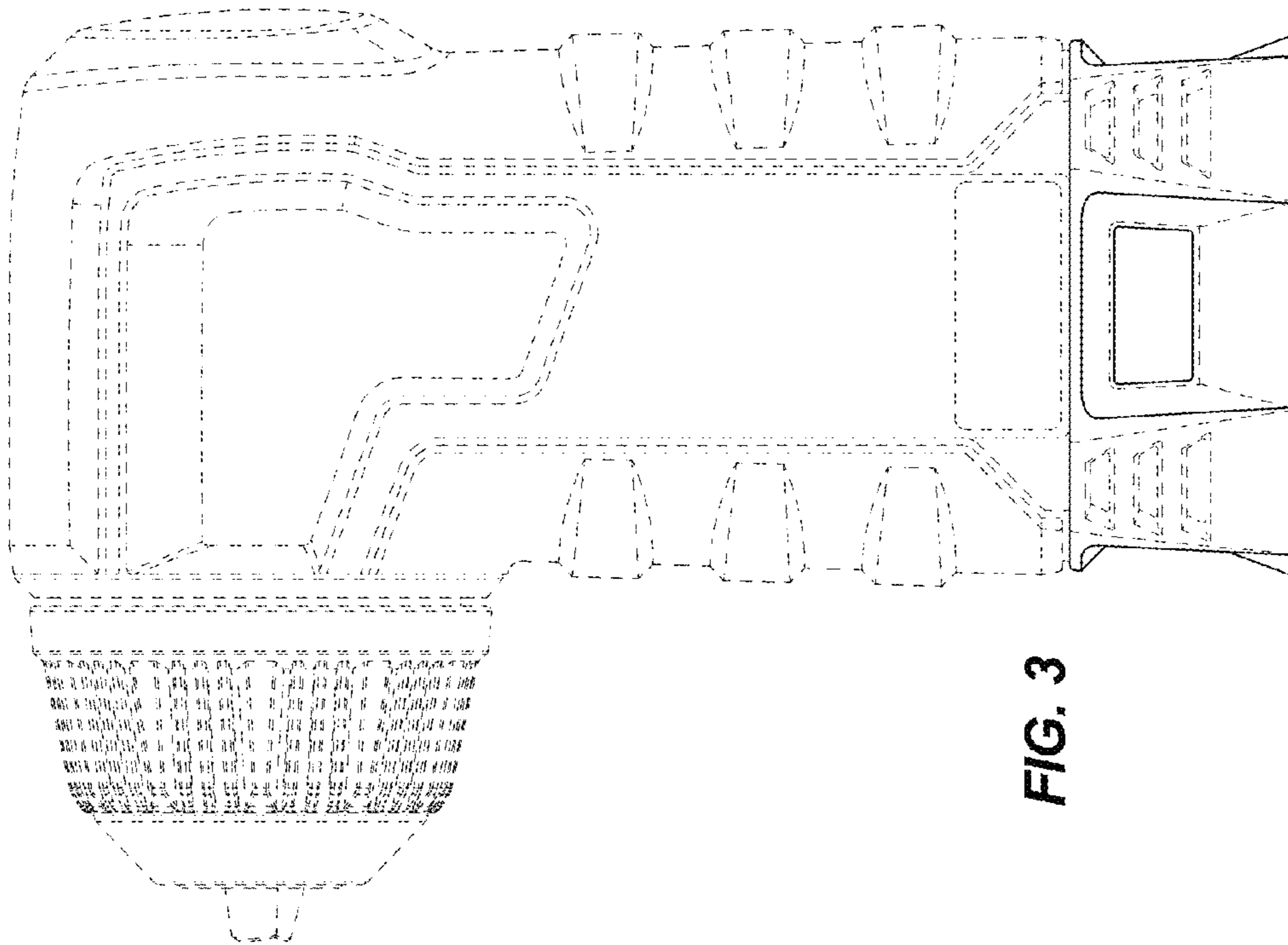


FIG. 3

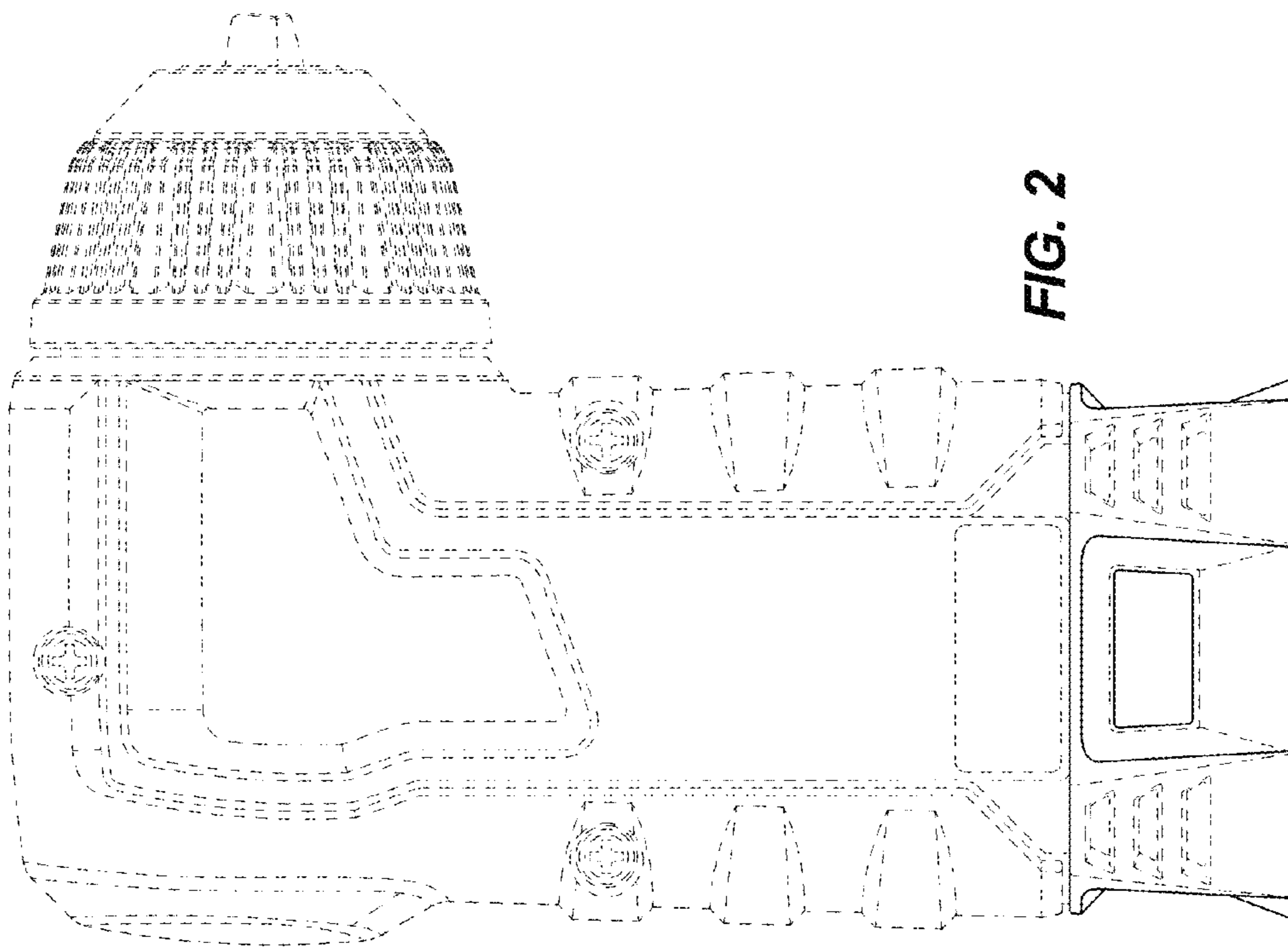


FIG. 2

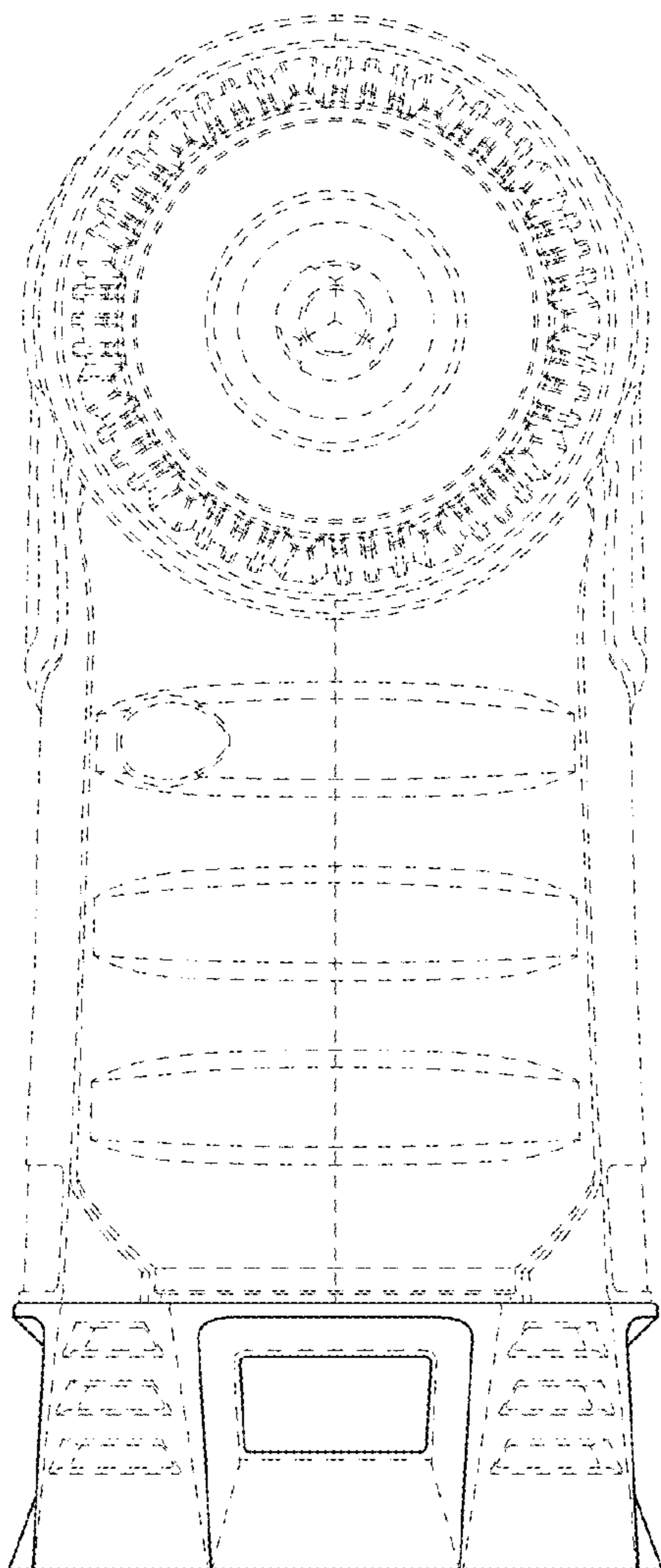


FIG. 4

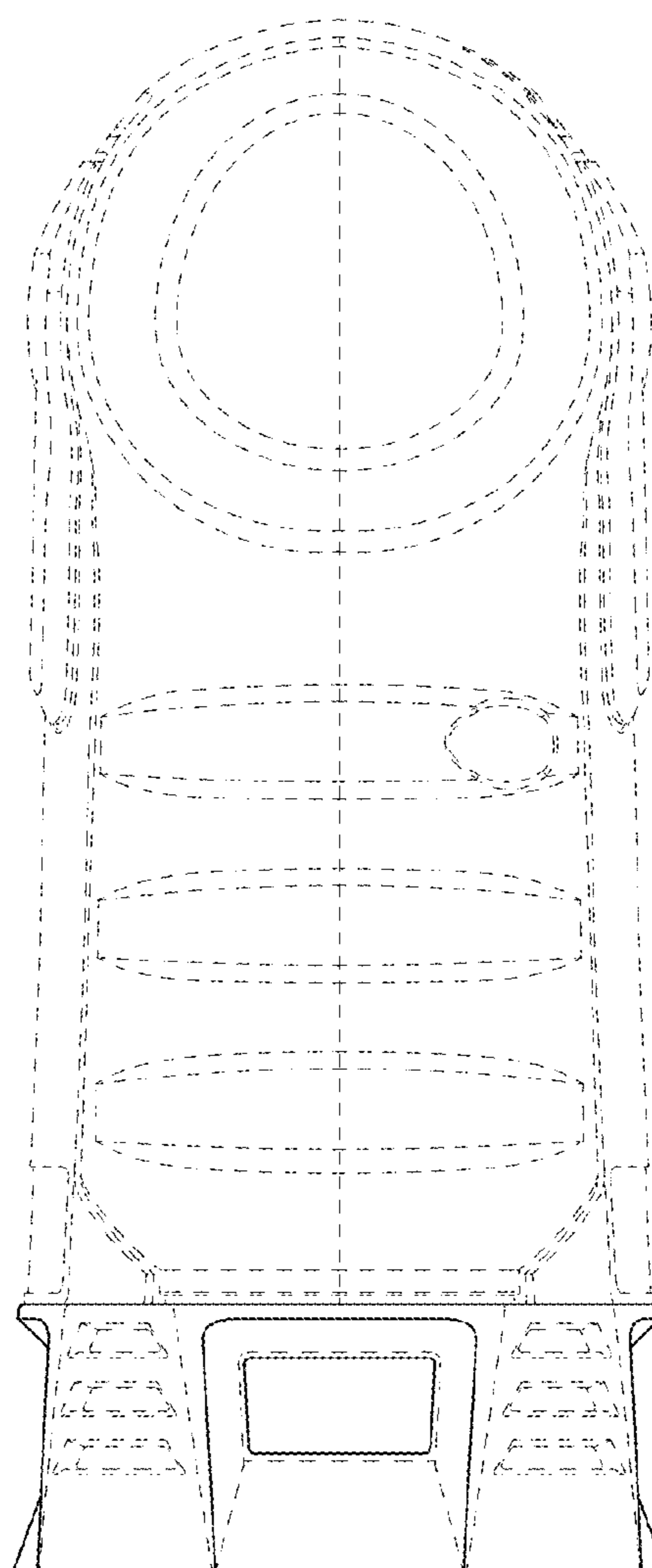


FIG. 5

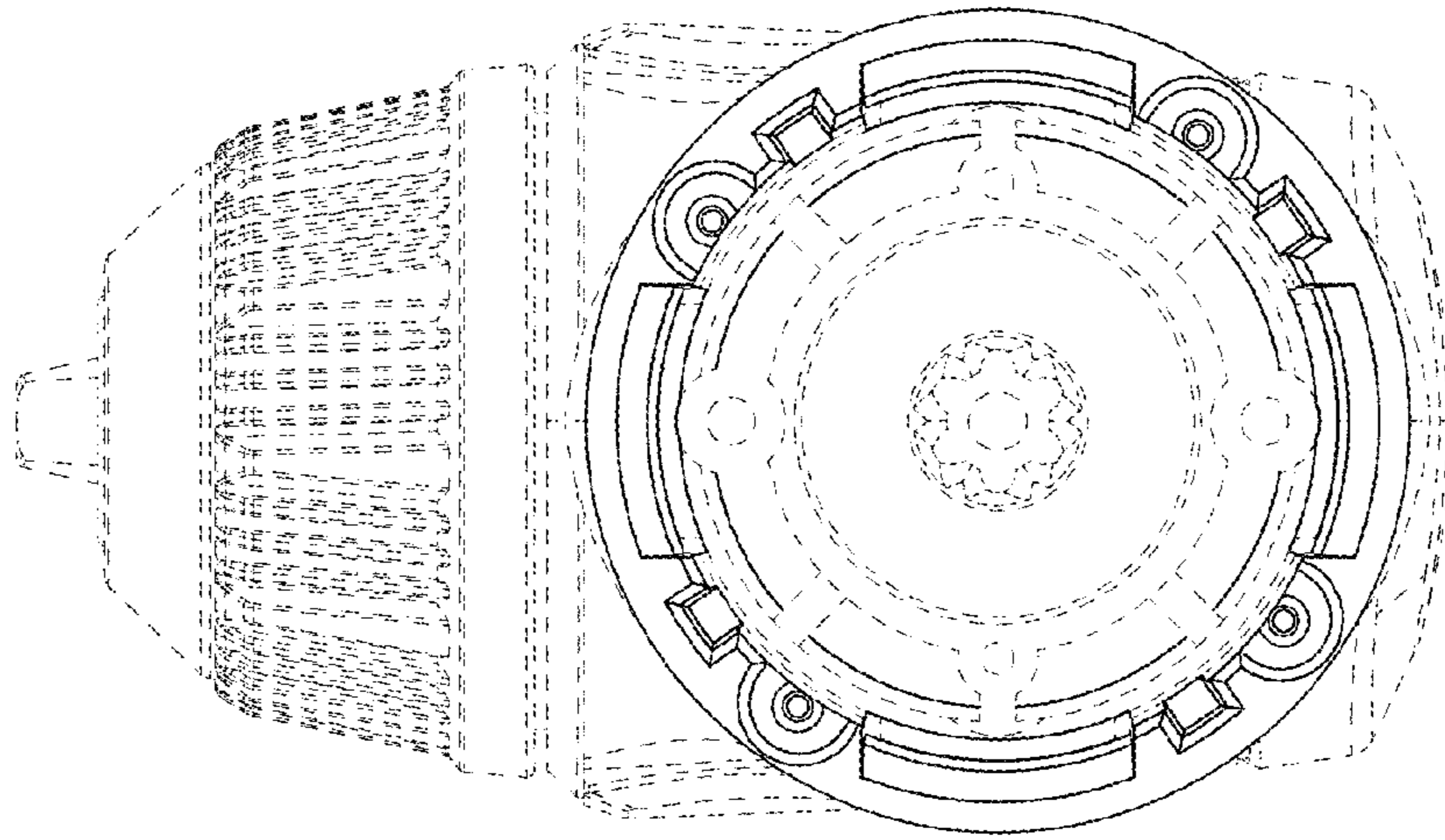


FIG. 6

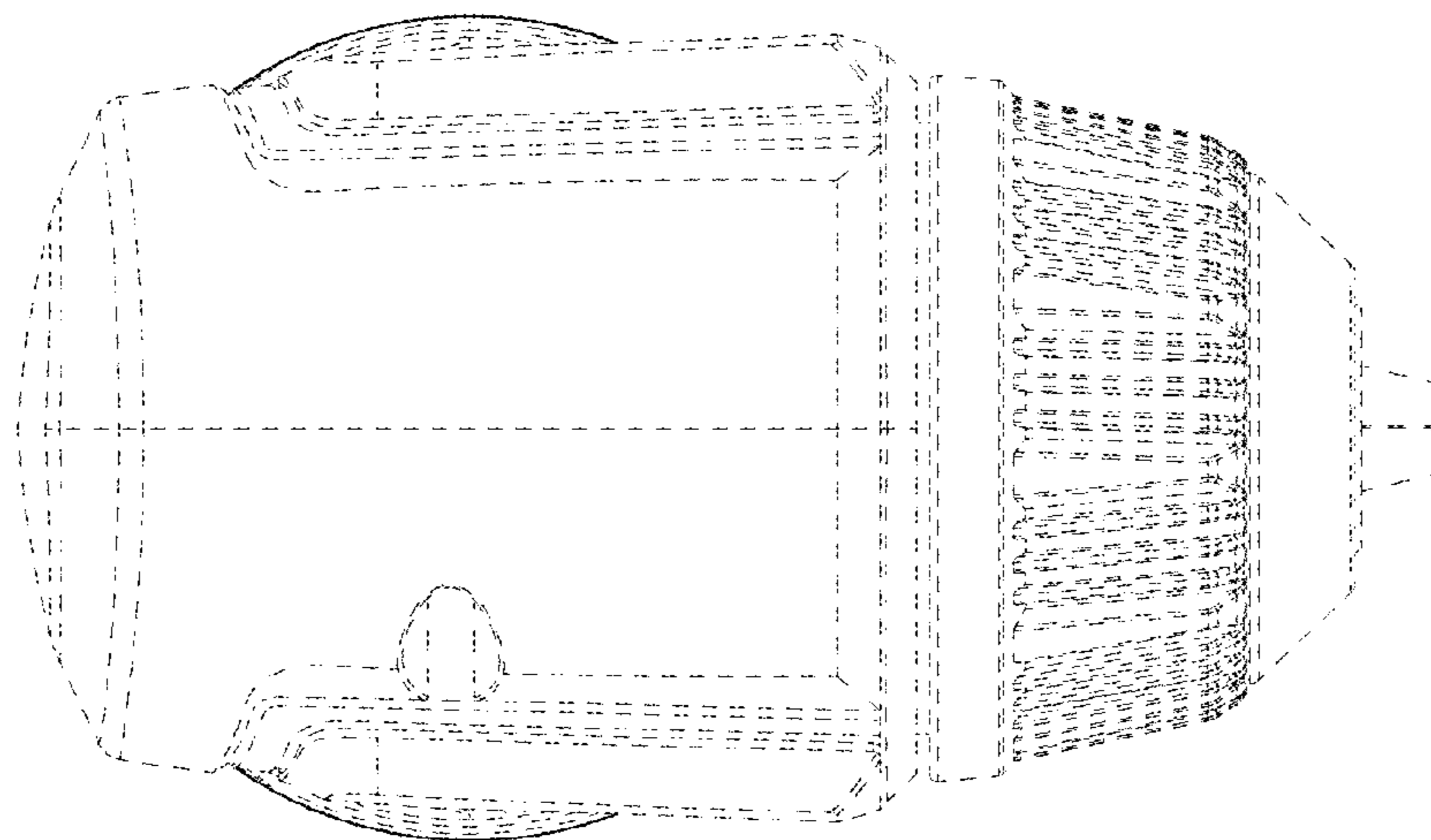


FIG. 7