



US00D683605S

(12) **United States Design Patent**
Keith, Jr. et al.

(10) **Patent No.:** **US D683,605 S**
(45) **Date of Patent:** **** *Jun. 4, 2013**

(54) **PORTION OF A TOOL HEAD**

(75) Inventors: **James A. Keith, Jr.**, Pickens, SC (US);
Michael E. Buckner, Clemson, SC
(US); **Ronald C. McCurry**, West Union,
SC (US)

(73) Assignee: **Techtronic Power Tools Technology
Limited**, Tortola (VG)

(*) Notice: This patent is subject to a terminal dis-
claimer.

(**) Term: **14 Years**

(21) Appl. No.: **29/389,776**

(22) Filed: **Apr. 15, 2011**

(51) **LOC (9) Cl.** **08-05**

(52) **U.S. Cl.**
USPC **D8/70**

(58) **Field of Classification Search**
USPC ... D8/70, 71; 81/57.12, 57.13, 57.29; 173/29,
173/216, 217; 279/22, 103, 143; 362/119;
408/239 A; 409/182; 451/358, 359
See application file for complete search history.

(56) **References Cited**

U.S. PATENT DOCUMENTS

2,539,387 A	1/1951	Alden
2,726,689 A	12/1955	Busby
2,808,085 A	10/1957	Hollien et al.
2,808,749 A	10/1957	Lampke
3,009,493 A	11/1961	Dodegge
3,260,541 A	7/1966	Sadler et al.
3,574,374 A	4/1971	Keller et al.
3,703,089 A	11/1972	Geisthoff et al.
3,724,237 A	4/1973	Wood
3,734,515 A	5/1973	Dudek
3,759,336 A	9/1973	Marcovitz et al.
3,952,239 A	4/1976	Owings et al.

(Continued)

FOREIGN PATENT DOCUMENTS

EP 1129825 A2 5/2001
WO 2008057023 A1 5/2008

OTHER PUBLICATIONS

Notice of Allowance from the United States Patent and Trademark
Office for U.S. Appl. No. 29/389,759 dated Jul. 11, 2012 (10 pages).

(Continued)

Primary Examiner — Philip S Hyder

Assistant Examiner — John T Applewhite

(74) *Attorney, Agent, or Firm* — Michael Best & Friedrich
LLP

(57) **CLAIM**

We claim the ornamental design for the portion of a tool head,
as shown and described in the figures.

DESCRIPTION

FIG. 1 is a perspective view of a portion of a tool head
embodying the invention.

FIG. 2 is a right side view of the portion of a tool head shown
in FIG. 1.

FIG. 3 is a left side view of the portion of a tool head shown
in FIG. 1.

FIG. 4 is a front view of the portion of a tool head shown in
FIG. 1.

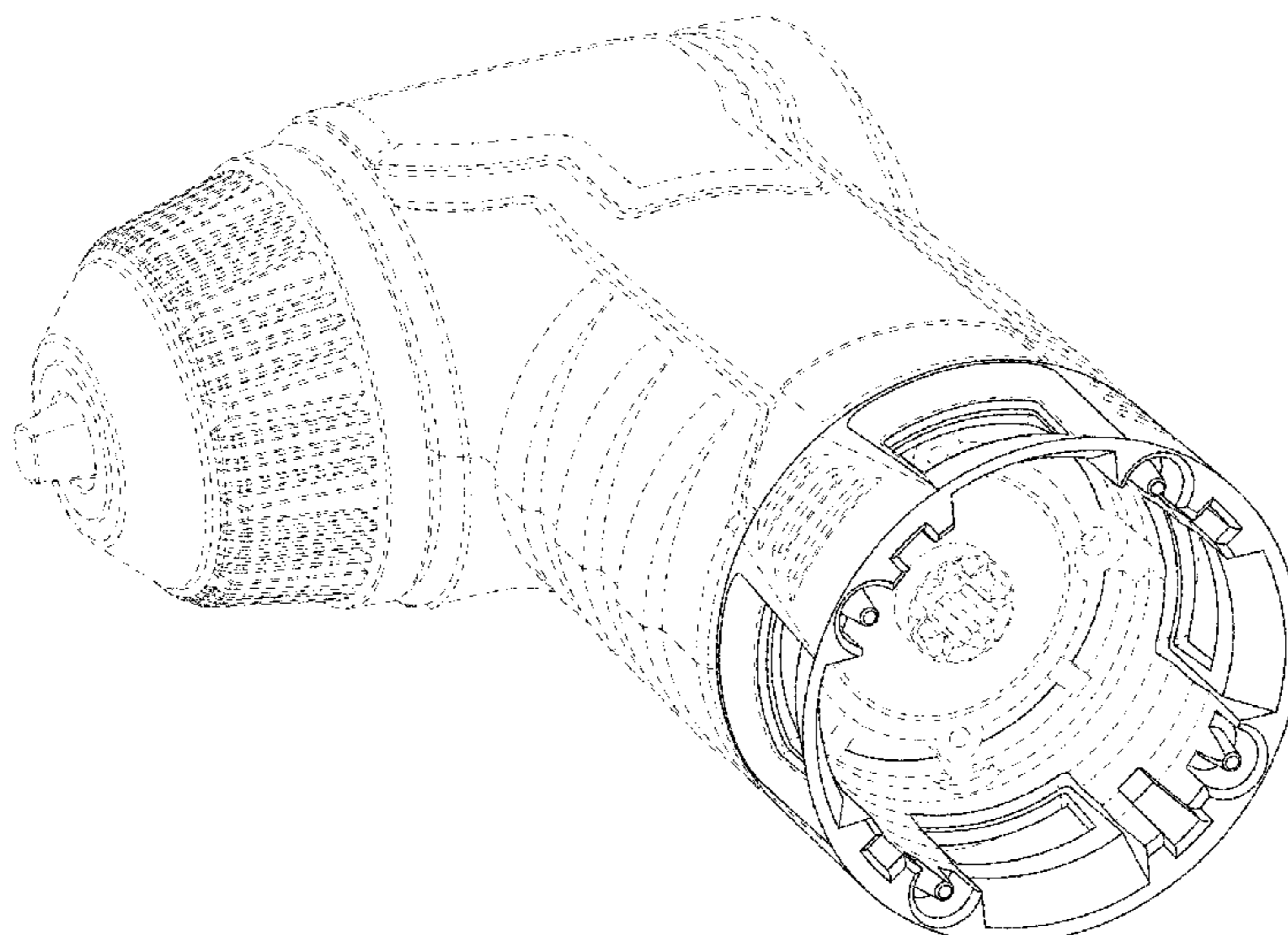
FIG. 5 is a rear view of the portion of a tool head shown in
FIG. 1.

FIG. 6 is a top view of the portion of a tool head shown in FIG.
1; and,

FIG. 7 is a bottom view of the portion of a tool head shown in
FIG. 1.

The portions of the tool head shown in broken lines are
included for the purpose of illustrating environment and form
no part of the claimed design.

1 Claim, 4 Drawing Sheets



US D683,605 S

Page 2

U.S. PATENT DOCUMENTS

4,078,589 A 3/1978 Miller
RE30,680 E * 7/1981 Kress et al. 464/177
4,346,630 A 8/1982 Hanson
4,392,836 A * 7/1983 Sugawara 464/52
4,448,098 A 5/1984 Totsu
4,524,649 A 6/1985 Diaz et al.
4,639,163 A 1/1987 Buthe et al.
4,813,808 A 3/1989 Gehrke
4,974,475 A 12/1990 Lord et al.
5,033,552 A * 7/1991 Hu 173/217
5,052,496 A 10/1991 Albert et al.
D322,954 S 1/1992 Avramovich
5,170,851 A 12/1992 Kress et al.
5,562,015 A 10/1996 Zinck
5,771,516 A * 6/1998 Huang 7/100
5,993,454 A * 11/1999 Longo 606/80
D420,267 S 2/2000 Robson
6,039,126 A 3/2000 Hsieh
6,153,838 A 11/2000 Wadge
6,170,579 B1 1/2001 Wadge
6,176,322 B1 1/2001 Wadge
6,206,107 B1 3/2001 Wadge
6,263,979 B1 7/2001 Dyke et al.
6,263,980 B1 7/2001 Wadge
D447,035 S * 8/2001 Netzler D8/69
6,286,611 B1 9/2001 Bone
D449,212 S 10/2001 Price et al.
6,352,127 B1 3/2002 Yorde
6,553,642 B2 4/2003 Driessen
6,568,298 B1 5/2003 Zinck
6,634,439 B2 10/2003 Driessen
6,641,467 B1 11/2003 Robson et al.
6,675,911 B2 1/2004 Driessen
6,712,368 B2 * 3/2004 Bohn et al. 279/143
6,715,380 B2 4/2004 Listl et al.
6,789,447 B1 9/2004 Zinck
6,789,448 B2 9/2004 Ono et al.
6,915,721 B2 7/2005 Hsu et al.
7,021,399 B2 4/2006 Driessen
7,063,170 B2 6/2006 Ortt et al.

7,069,816 B1 7/2006 Saathoff et al.
7,077,736 B2 7/2006 Uzumcu et al.
7,100,705 B2 9/2006 Ortt et al.
7,137,457 B2 11/2006 Frauhammer et al.
D533,041 S 12/2006 Pozgay et al.
7,273,159 B2 9/2007 Brotto
D554,461 S 11/2007 Kokawa et al.
7,306,050 B2 12/2007 Chen
7,413,025 B2 8/2008 Provost
D580,247 S 11/2008 Taniguchi et al.
D587,978 S * 3/2009 Aglassinger D8/70
D588,891 S 3/2009 Hayakawa et al.
7,509,894 B2 3/2009 Chen
7,549,953 B2 6/2009 Walters
7,568,288 B2 8/2009 Baker
7,578,730 B2 8/2009 Chen
7,596,872 B2 10/2009 Clarke et al.
D626,068 S 10/2010 Giefers et al.
D626,395 S * 11/2010 Lau et al. D8/70
D626,398 S * 11/2010 Lau et al. D8/107
D626,506 S 11/2010 Giefers et al.
D638,797 S 5/2011 Ohmori
D644,184 S * 8/2011 Gilibert D13/147
D647,849 S 11/2011 Yu
D649,121 S 11/2011 Urban
D665,645 S * 8/2012 McRoberts et al. D8/70
2002/0020539 A1 2/2002 Driessen
2002/0148623 A1 10/2002 Pan
2004/0103761 A1 6/2004 Pillow
2007/0193761 A1 8/2007 Brotto
2007/0240892 A1 10/2007 Brotto et al.
2008/0136125 A1 6/2008 Hirt et al.
2009/0272554 A1 11/2009 Young et al.
2012/0104746 A1 * 5/2012 Fansler et al. 285/239

OTHER PUBLICATIONS

Office Action from the United States Patent and Trademark Office for
U.S. Appl. No. 29/389,778 dated Sep. 17, 2012 (7 pages).

* cited by examiner

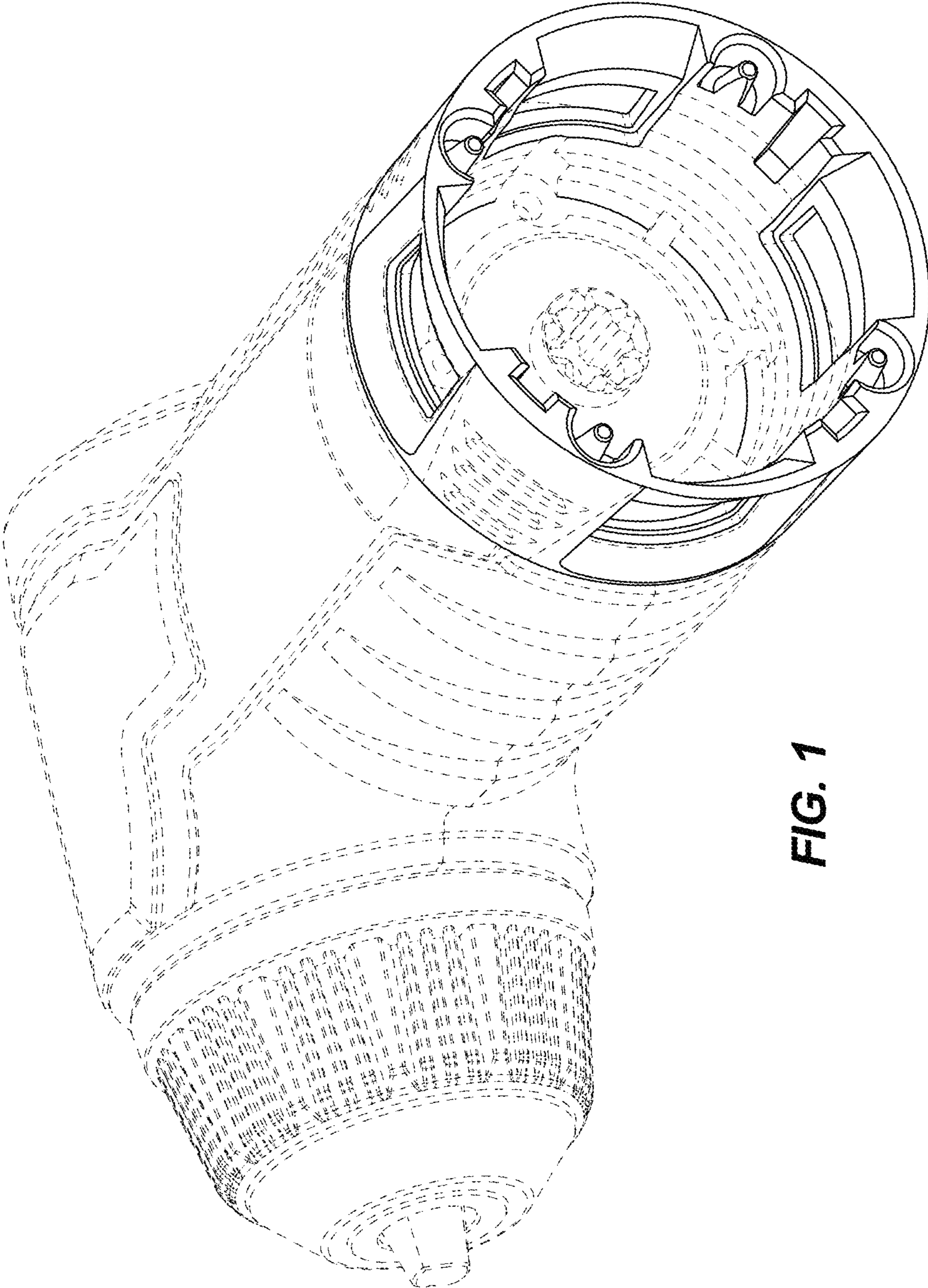


FIG. 1

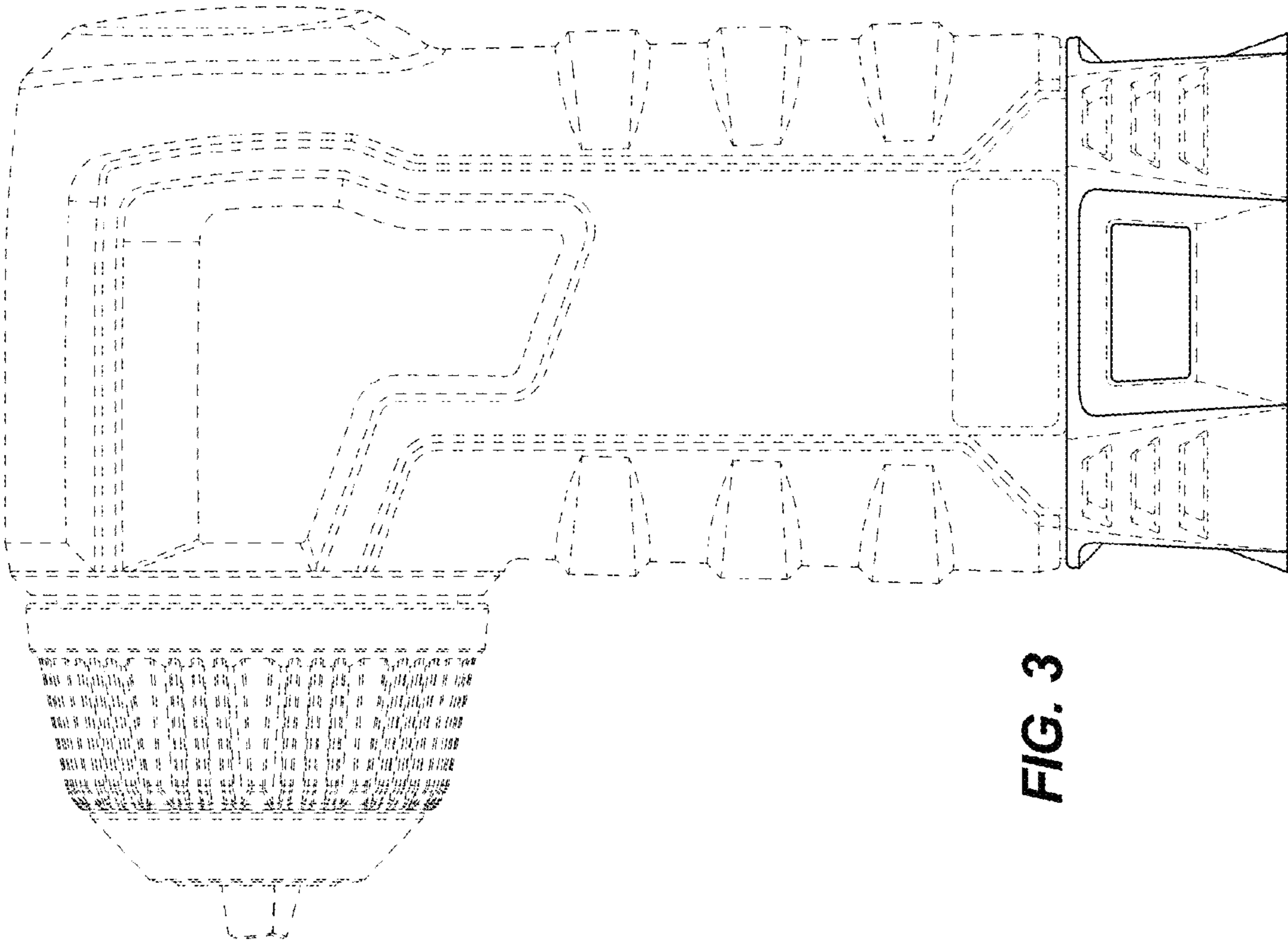


FIG. 3

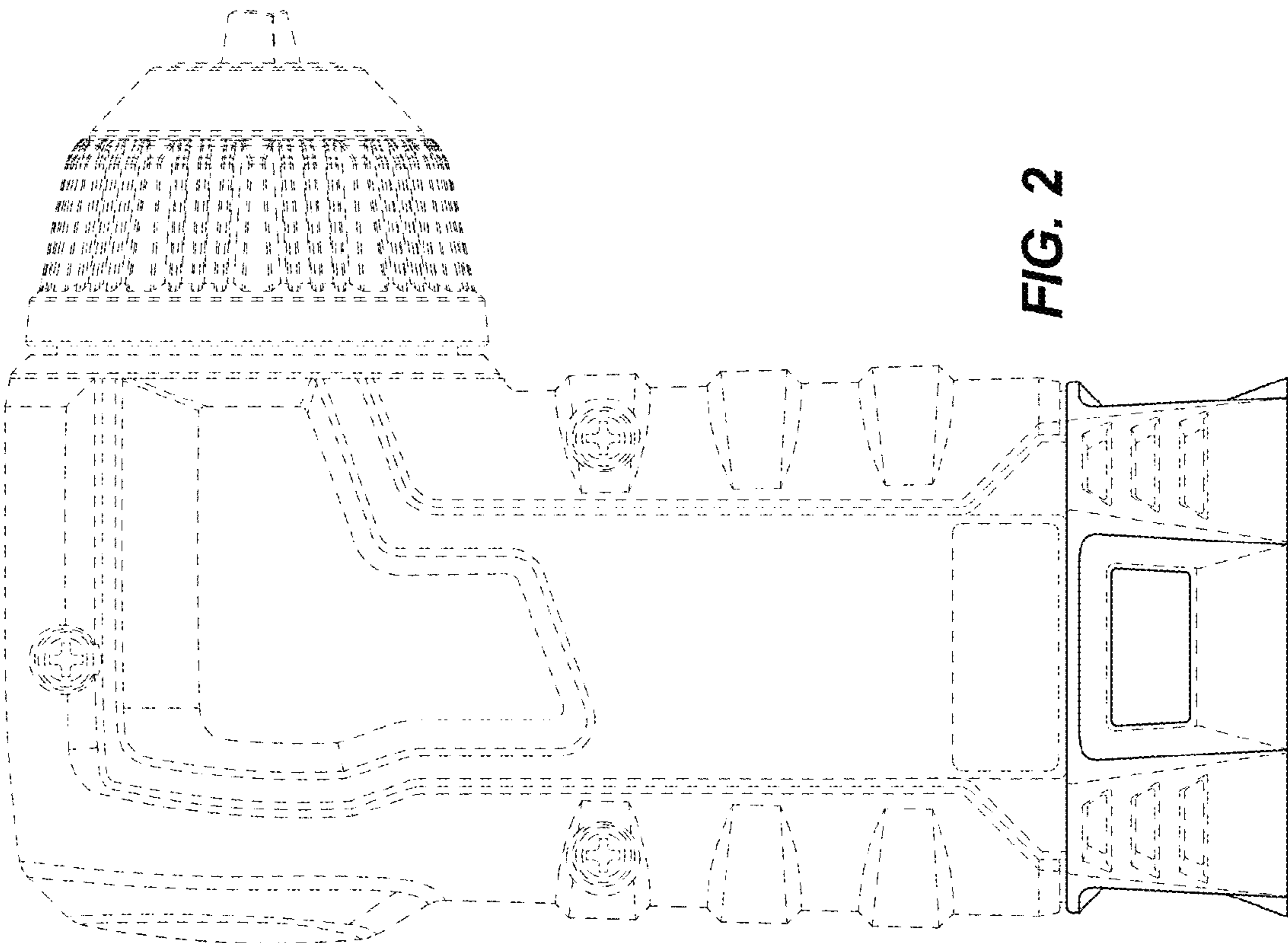


FIG. 2

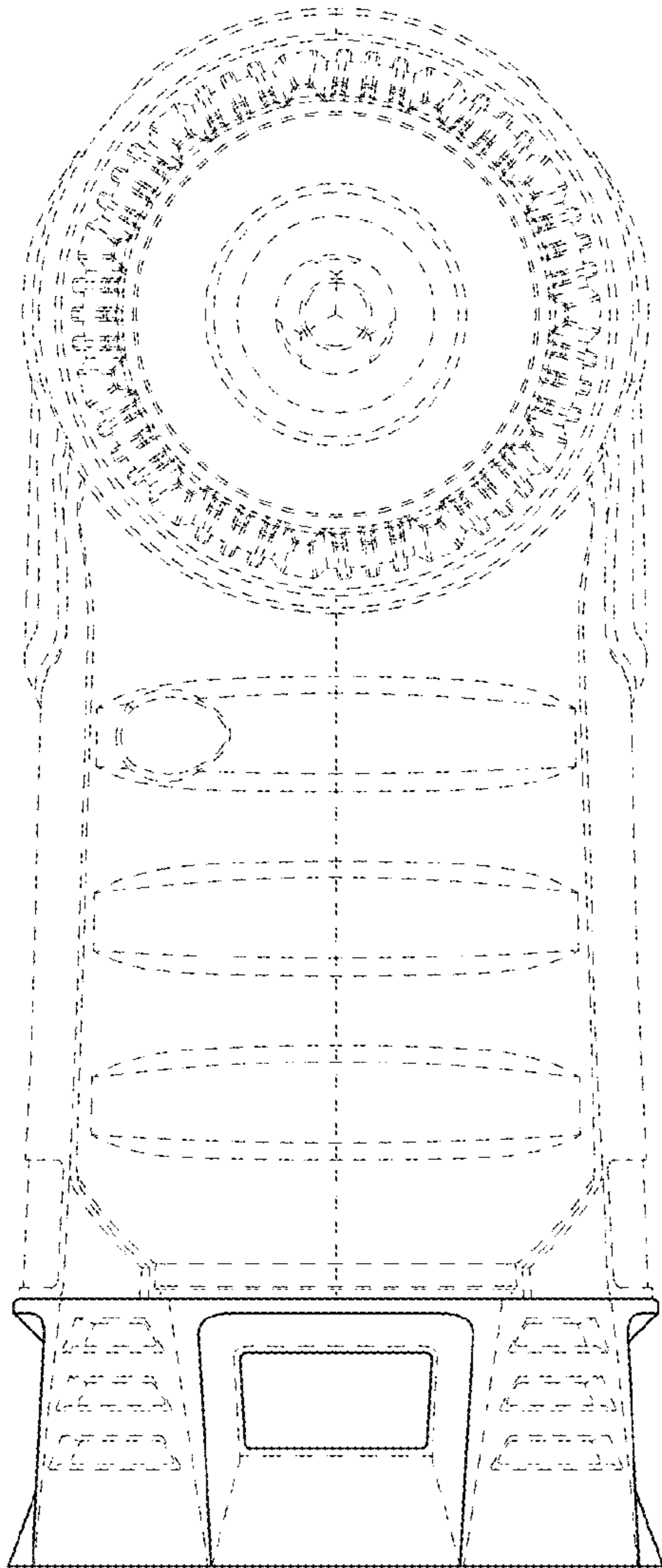


FIG. 4

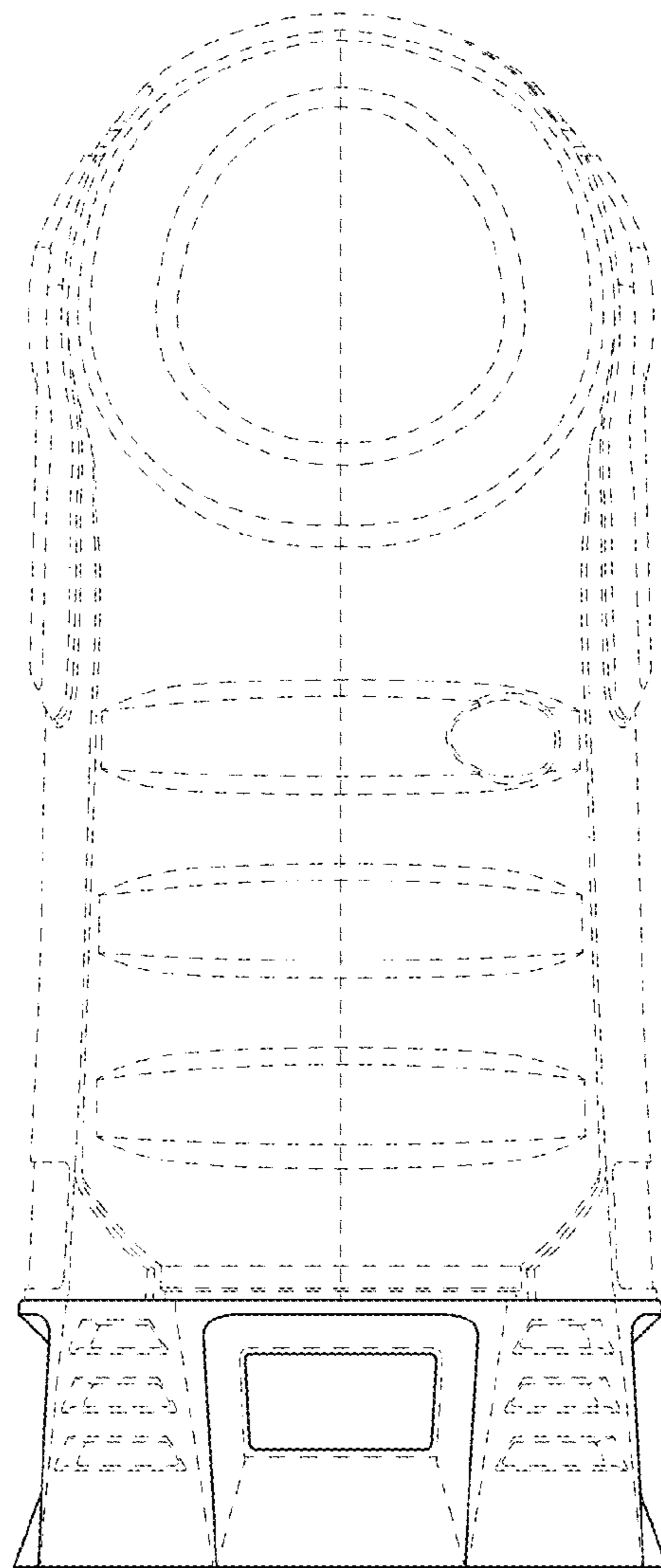


FIG. 5

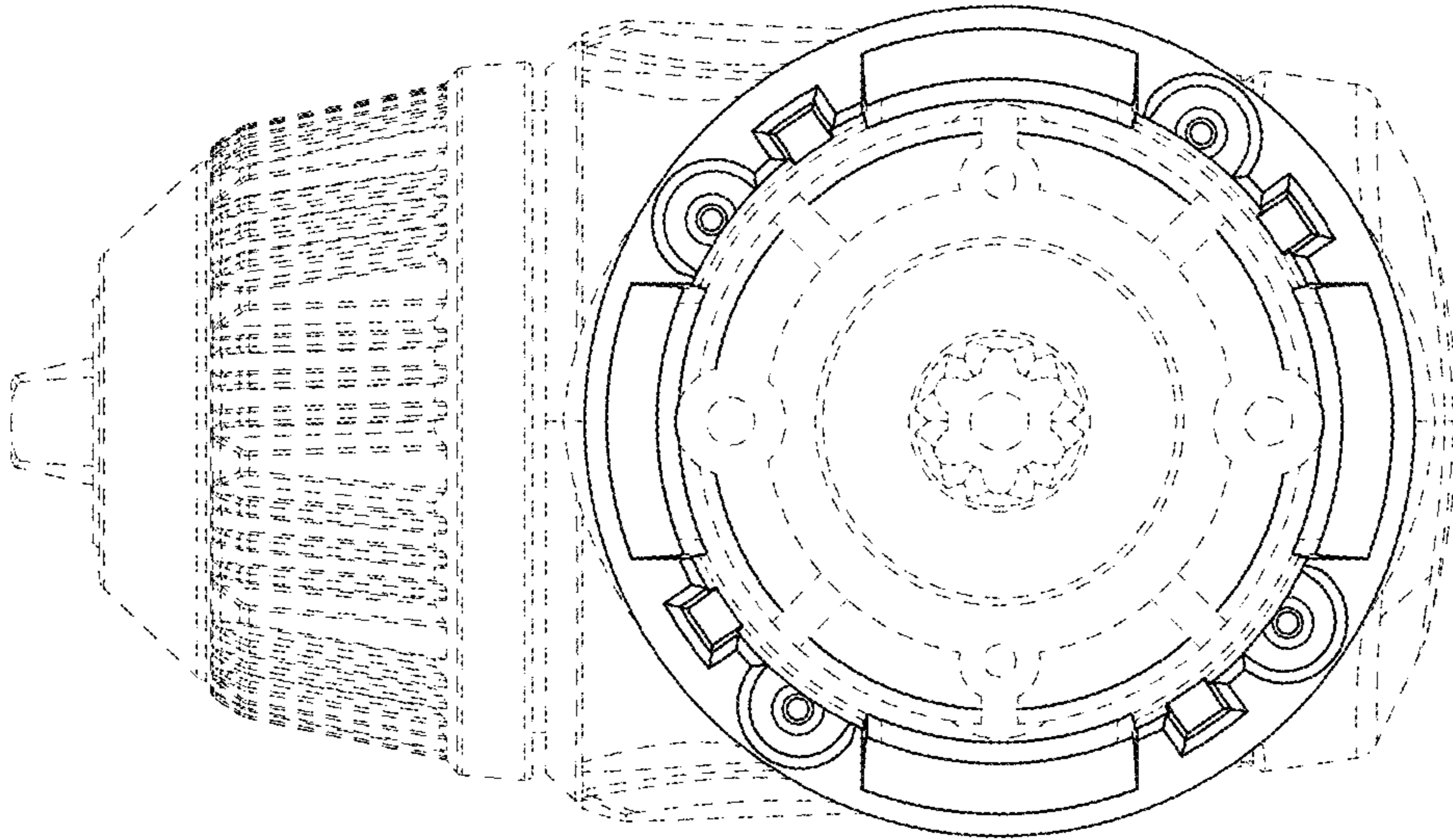


FIG. 7

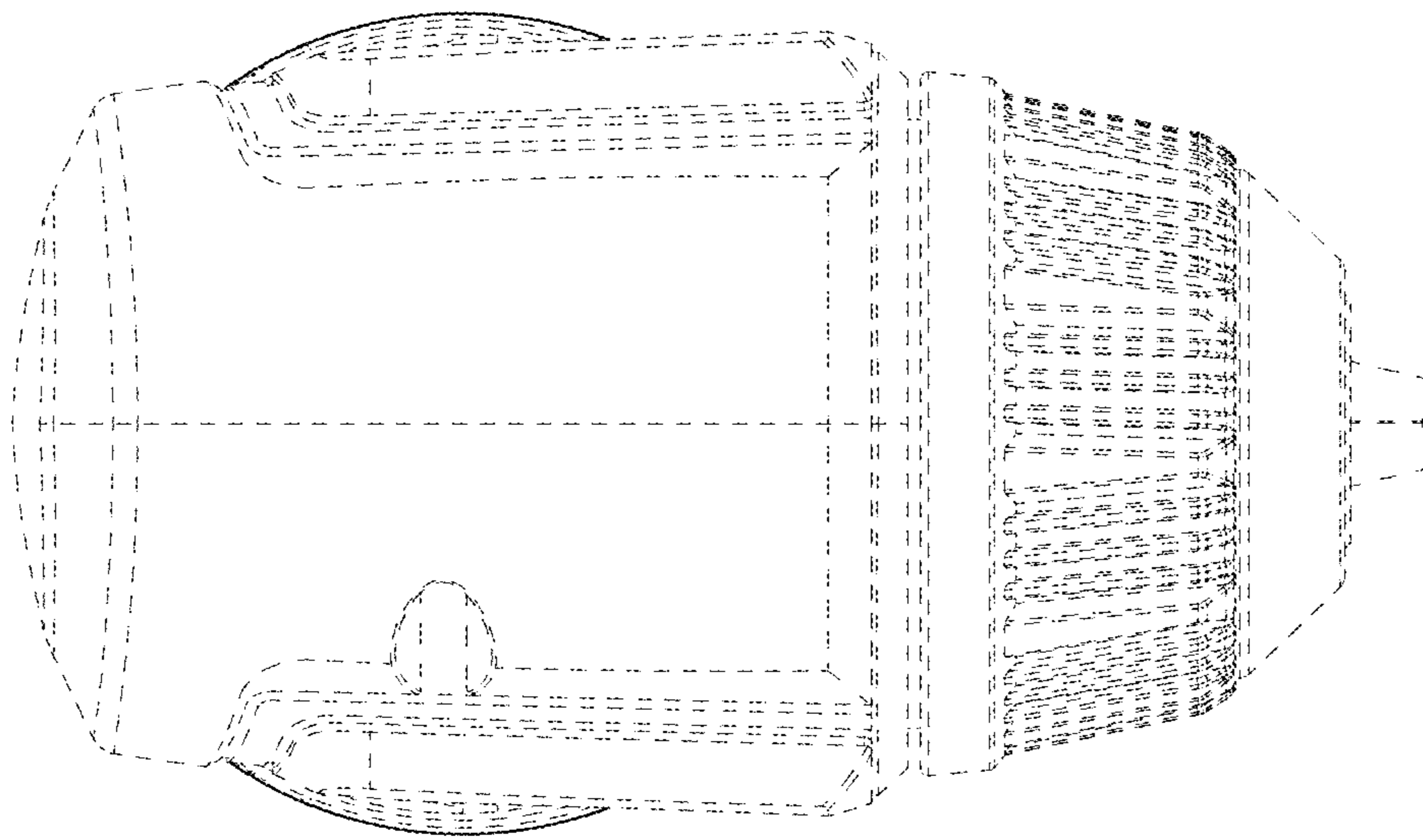


FIG. 6