



US00D683604S

(12) **United States Design Patent**
Shi

(10) **Patent No.:** **US D683,604 S**
(45) **Date of Patent:** **** Jun. 4, 2013**

(54) **PLANER**

(75) **Inventor:** **Windy Shi, Suzhou (CN)**

(73) **Assignee:** **Black & Decker Inc., Newark, DE (US)**

(**) **Term:** **14 Years**

(21) **Appl. No.:** **29/363,563**

(22) **Filed:** **Jun. 11, 2010**

(51) **LOC (9) Cl.** **08-01**

(52) **U.S. Cl.**
USPC **D8/62**

(58) **Field of Classification Search**
USPC **D8/61, 62; D32/15, 17, 19; D14/102;**
451/456, 451, 359, 358, 357, 356, 355, 354,
451/353, 351, 344
See application file for complete search history.

(56) **References Cited**

U.S. PATENT DOCUMENTS

D413,779	S	*	9/1999	Hayakawa et al.	D8/62
D475,594	S	*	6/2003	Bian	D8/62
D495,574	S	*	9/2004	Schoen	D8/62
D501,775	S	*	2/2005	Tillman et al.	D8/62
D508,833	S	*	8/2005	Brazell et al.	D8/62
D509,117	S	*	9/2005	Tillman et al.	D8/62
D509,721	S	*	9/2005	Park	D8/62
D512,619	S	*	12/2005	Aglassinger	D8/62
7,018,280	B2	*	3/2006	Walker	451/355
D528,388	S	*	9/2006	Andriolo et al.	D8/62
D529,357	S	*	10/2006	Qiu	D8/62
D540,133	S	*	4/2007	Corcoran	D8/62
D592,025	S	*	5/2009	Snowball	D8/62

D598,261	S	*	8/2009	Waldron	D8/62
D601,874	S	*	10/2009	Hayakawa et al.	D8/62
D603,673	S	*	11/2009	Netzler	D8/62
D607,291	S	*	1/2010	Rosenau	D8/62
D637,879	S	*	5/2011	Kawase et al.	D8/62

* cited by examiner

Primary Examiner — Austin Murphy

(74) *Attorney, Agent, or Firm* — Bruce S. Shapiro; John Yun; Stephen R. Valancius

(57) **CLAIM**

The ornamental design for a planer, as shown and described.

DESCRIPTION

Embodiment 1

FIG. 1 is a left/front perspective view of a planer.

FIG. 2 is a front view thereof.

FIG. 3 is a rear view thereof.

FIG. 4 is a right side view thereof.

FIG. 5 is a left side view thereof.

FIG. 6 is a top view thereof.

FIG. 7 is a bottom view thereof.

Embodiment 2

FIG. 8 is a left/front perspective view of a planer.

FIG. 9 is a front view thereof.

FIG. 10 is a rear view thereof.

FIG. 11 is a right side view thereof.

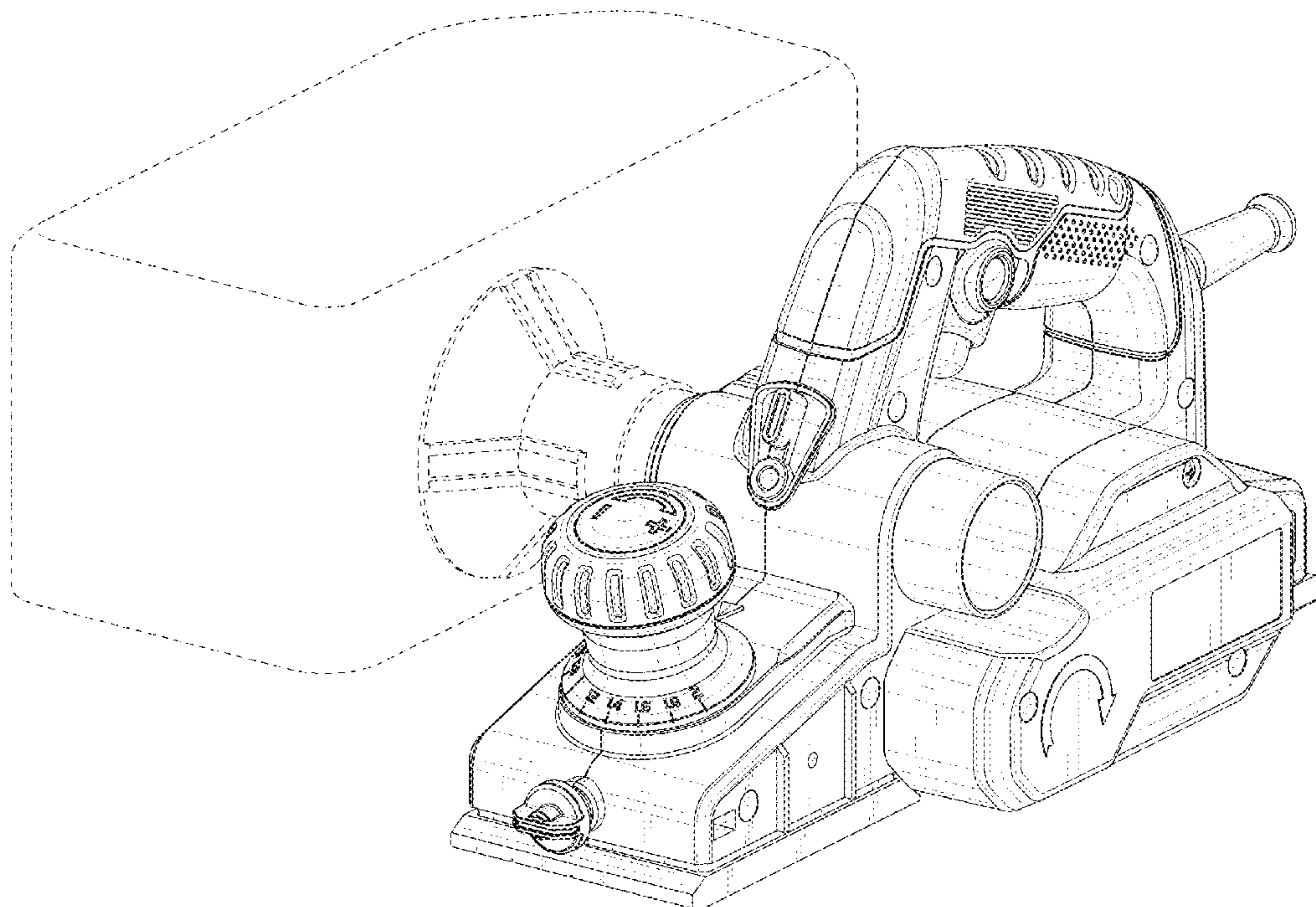
FIG. 12 is a left side view thereof.

FIG. 13 is a top view thereof; and,

FIG. 14 is a bottom view thereof.

The broken lines are for illustrative purposes only and form no part of the claimed design.

1 Claim, 14 Drawing Sheets



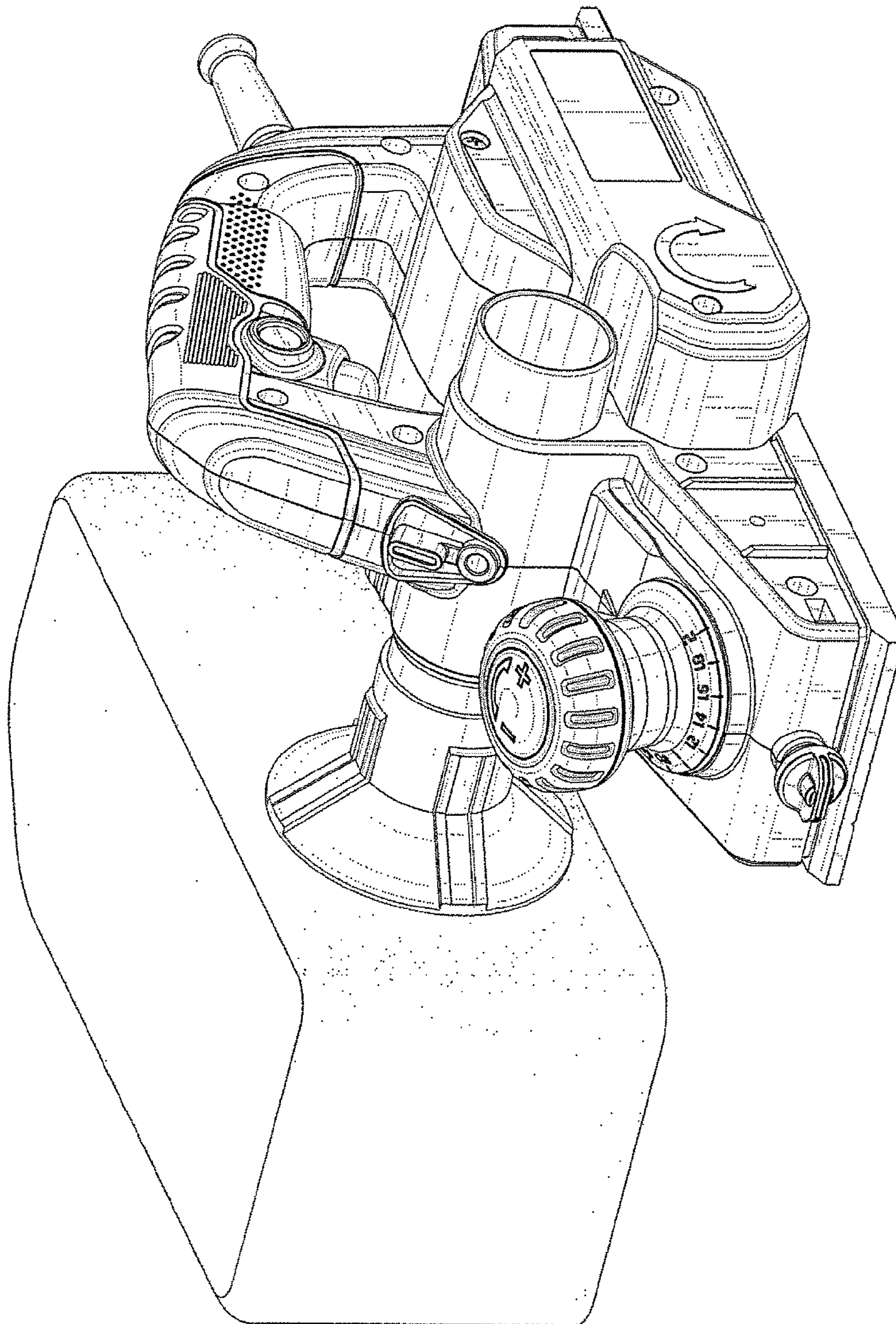


FIG. 1

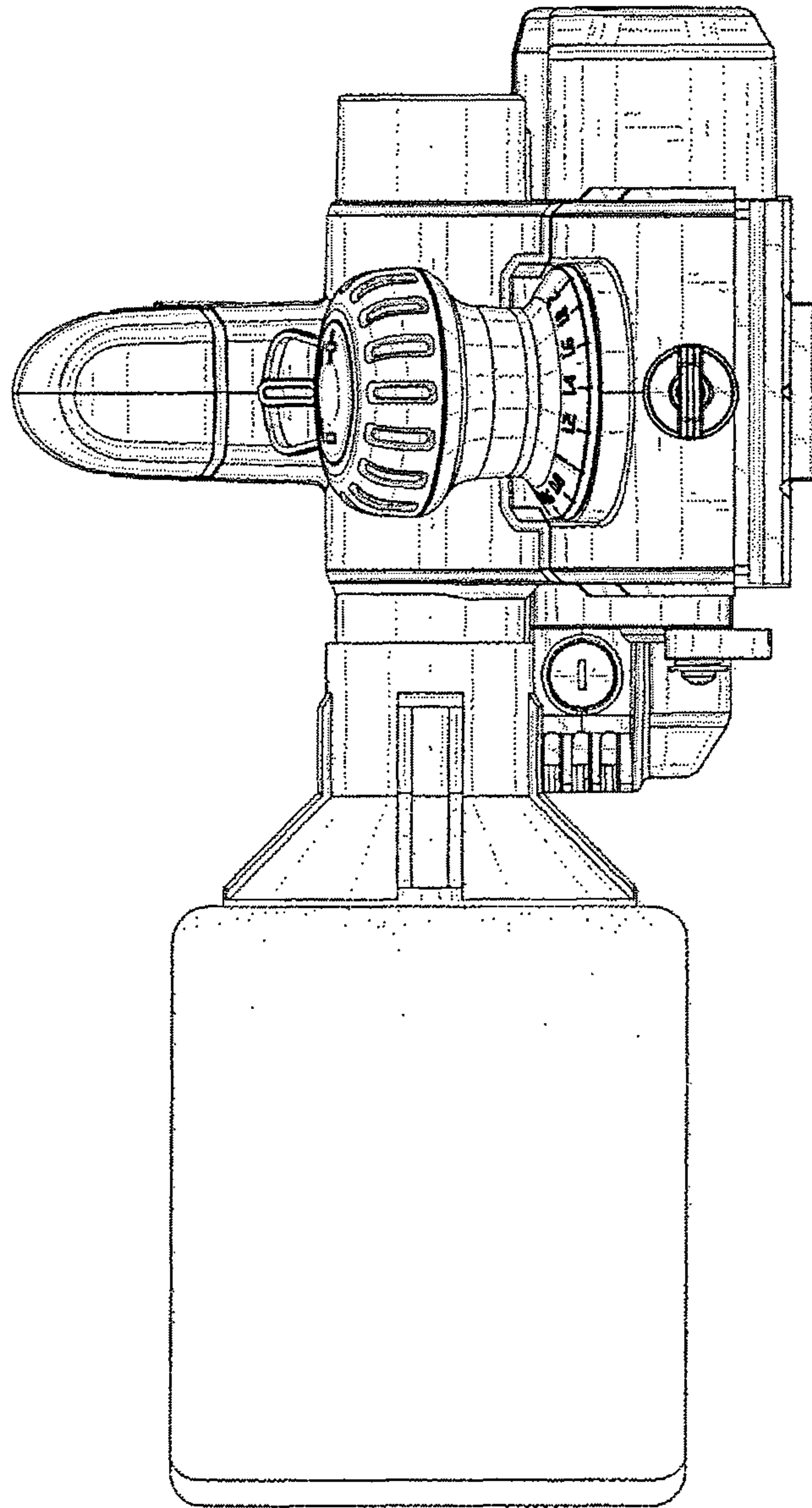


FIG. 2

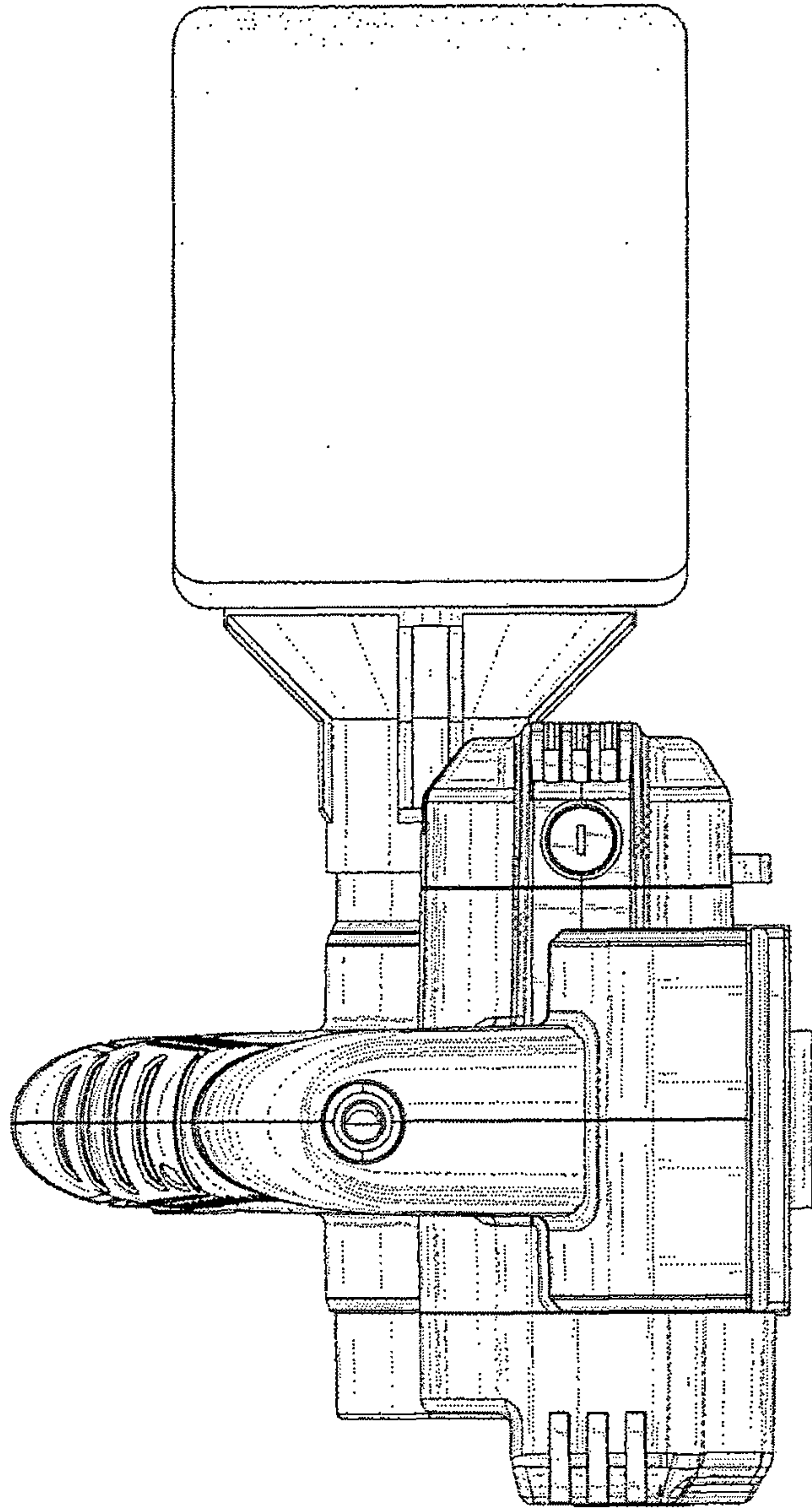


FIG. 3

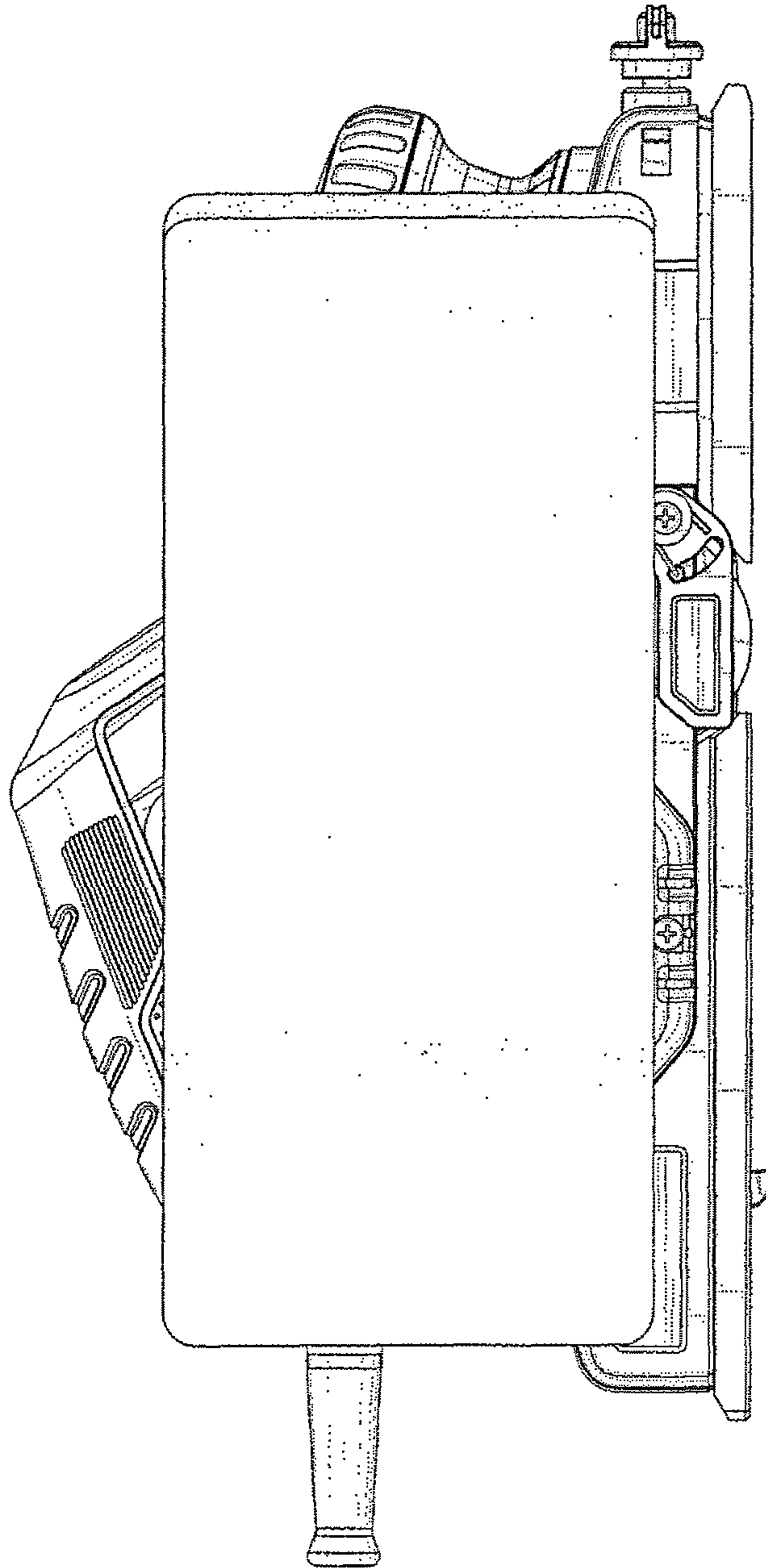


FIG. 4

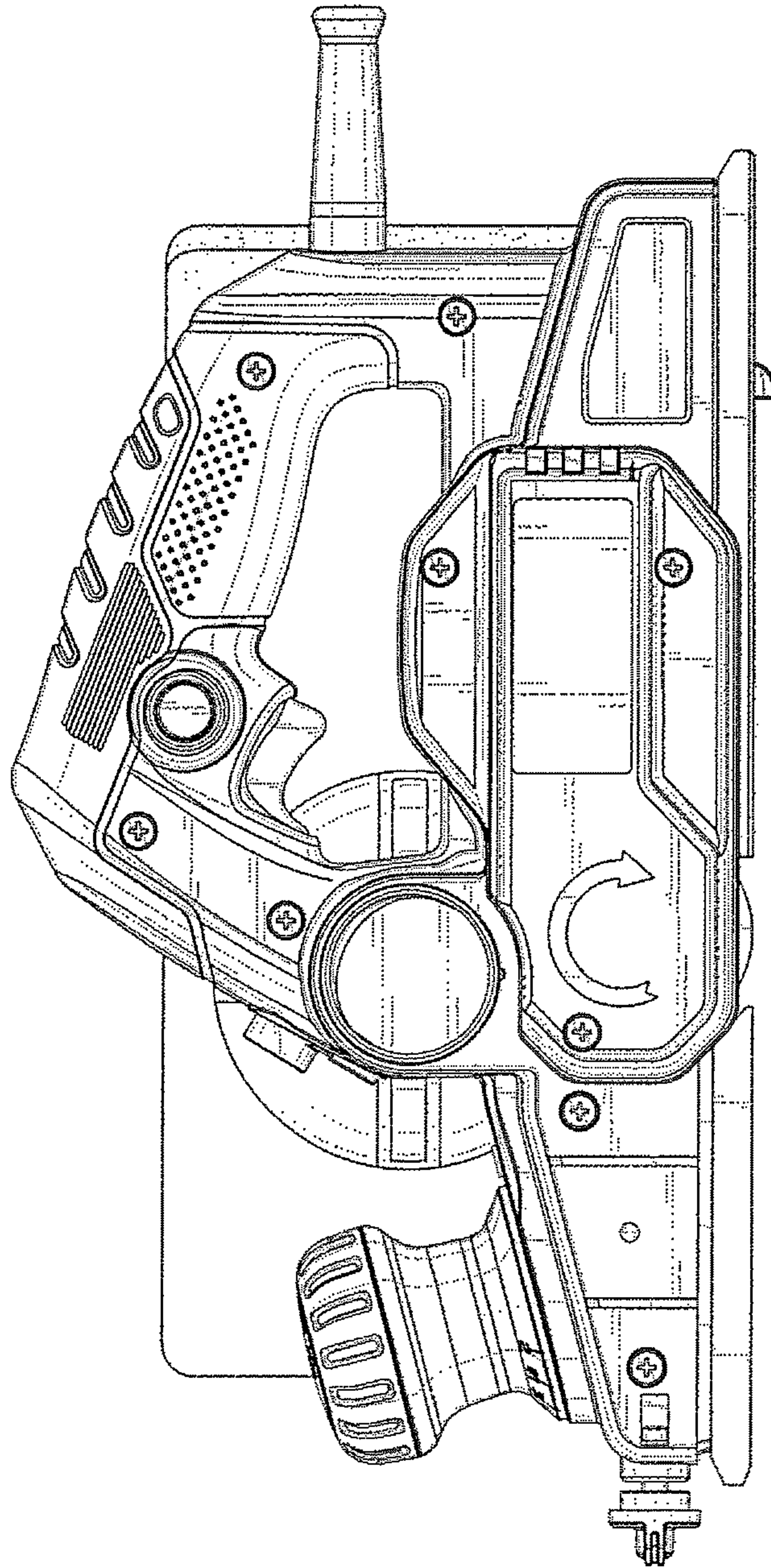


FIG. 5

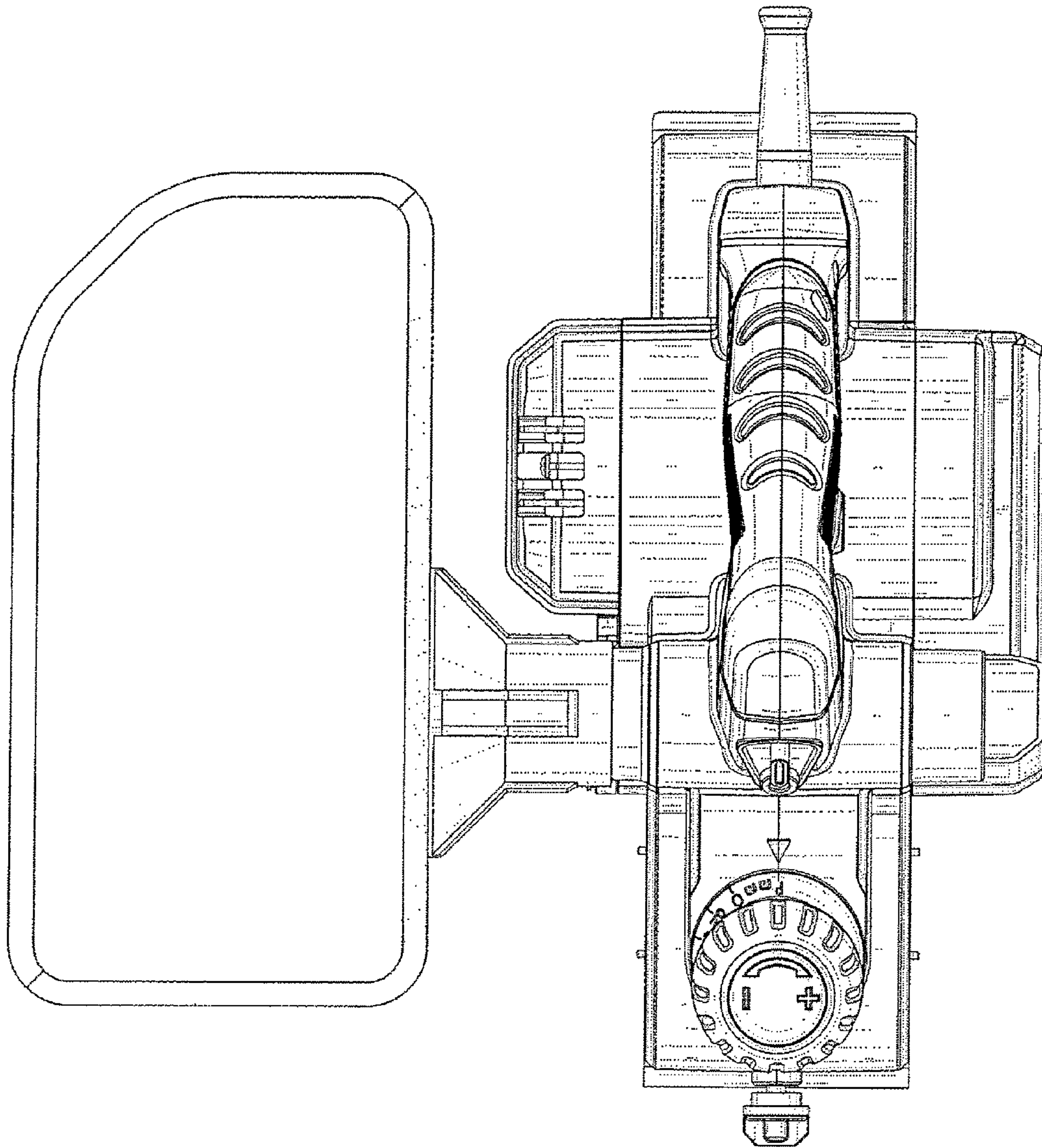


FIG. 6

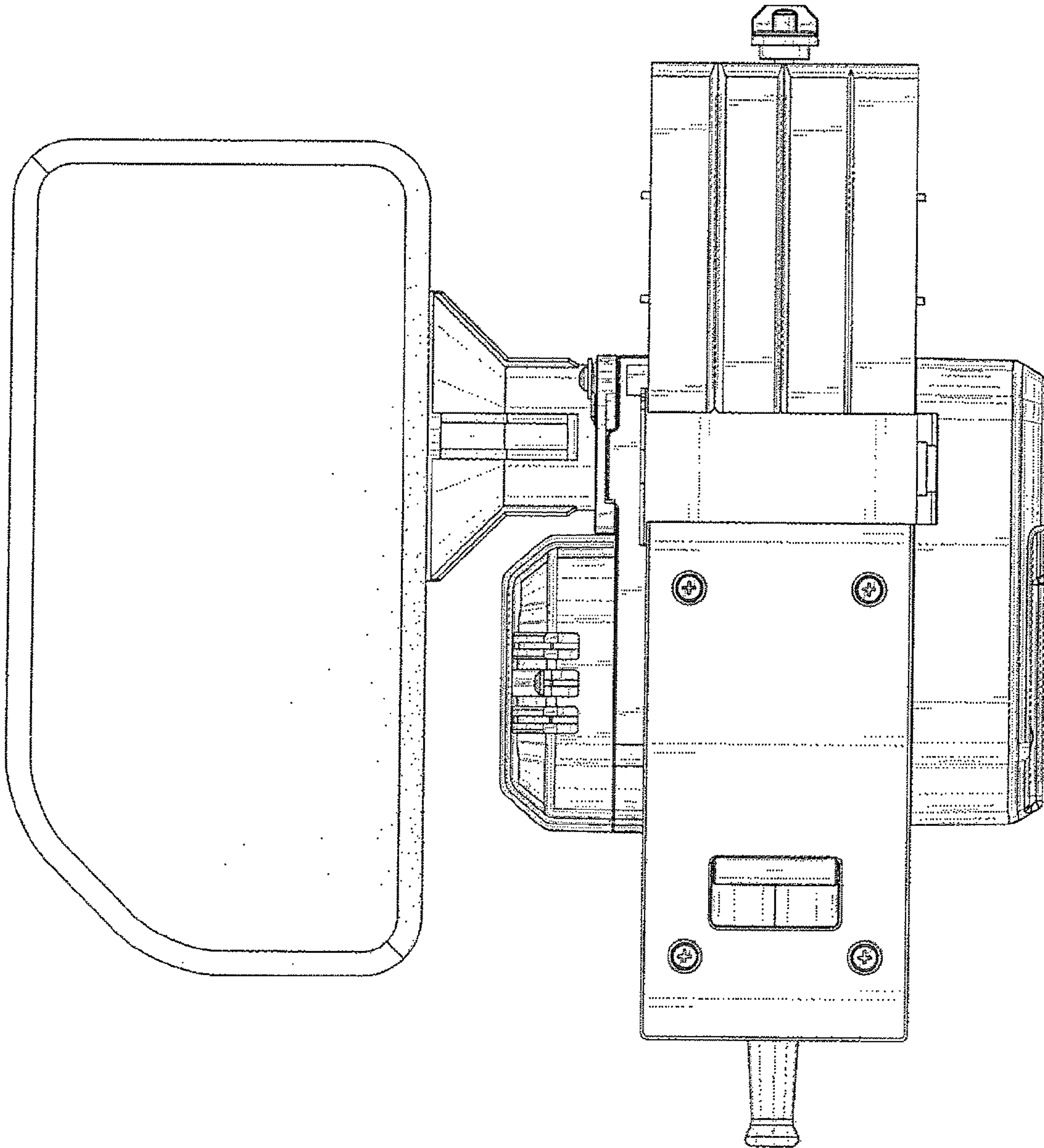


FIG. 7

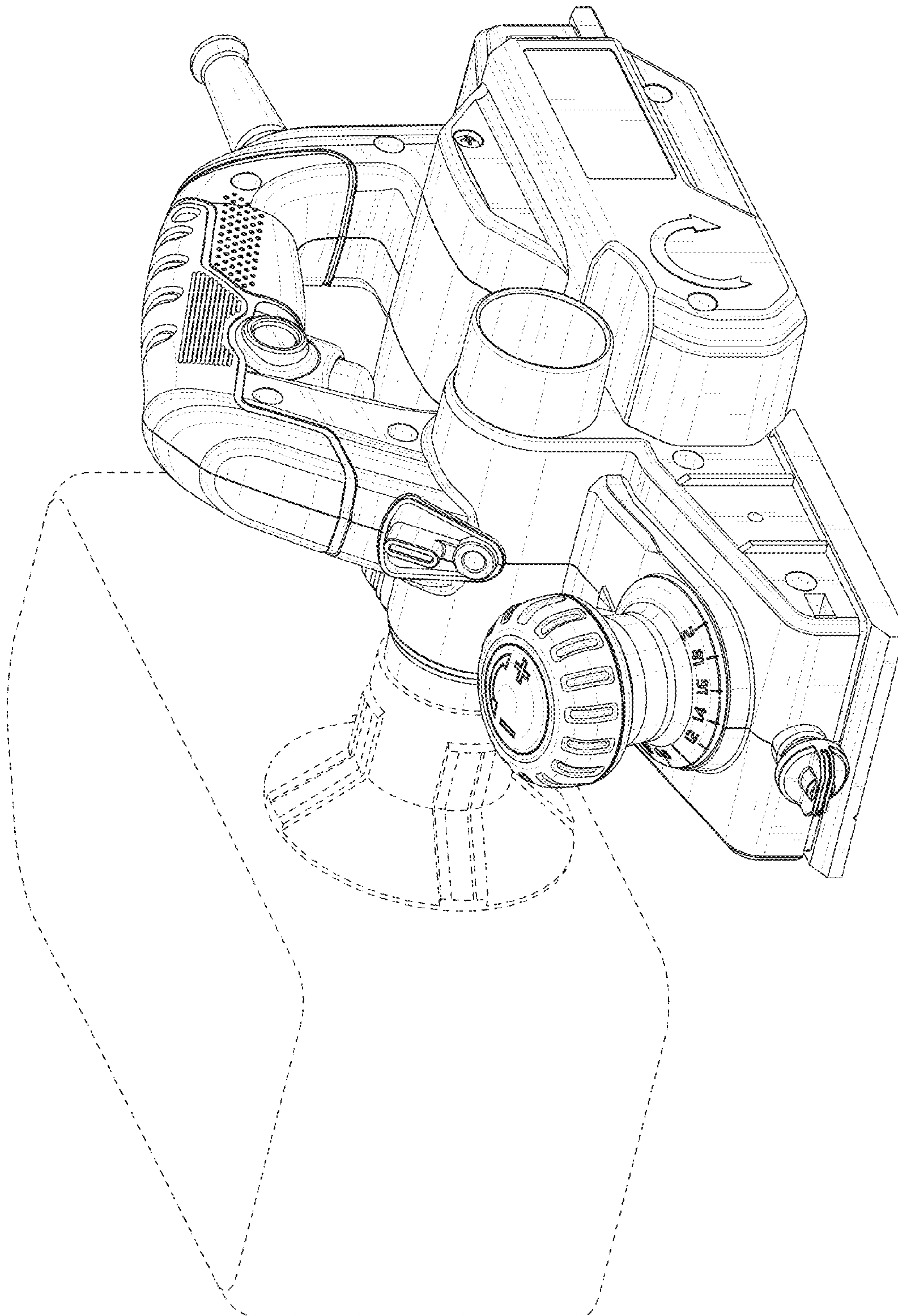


FIG. 8

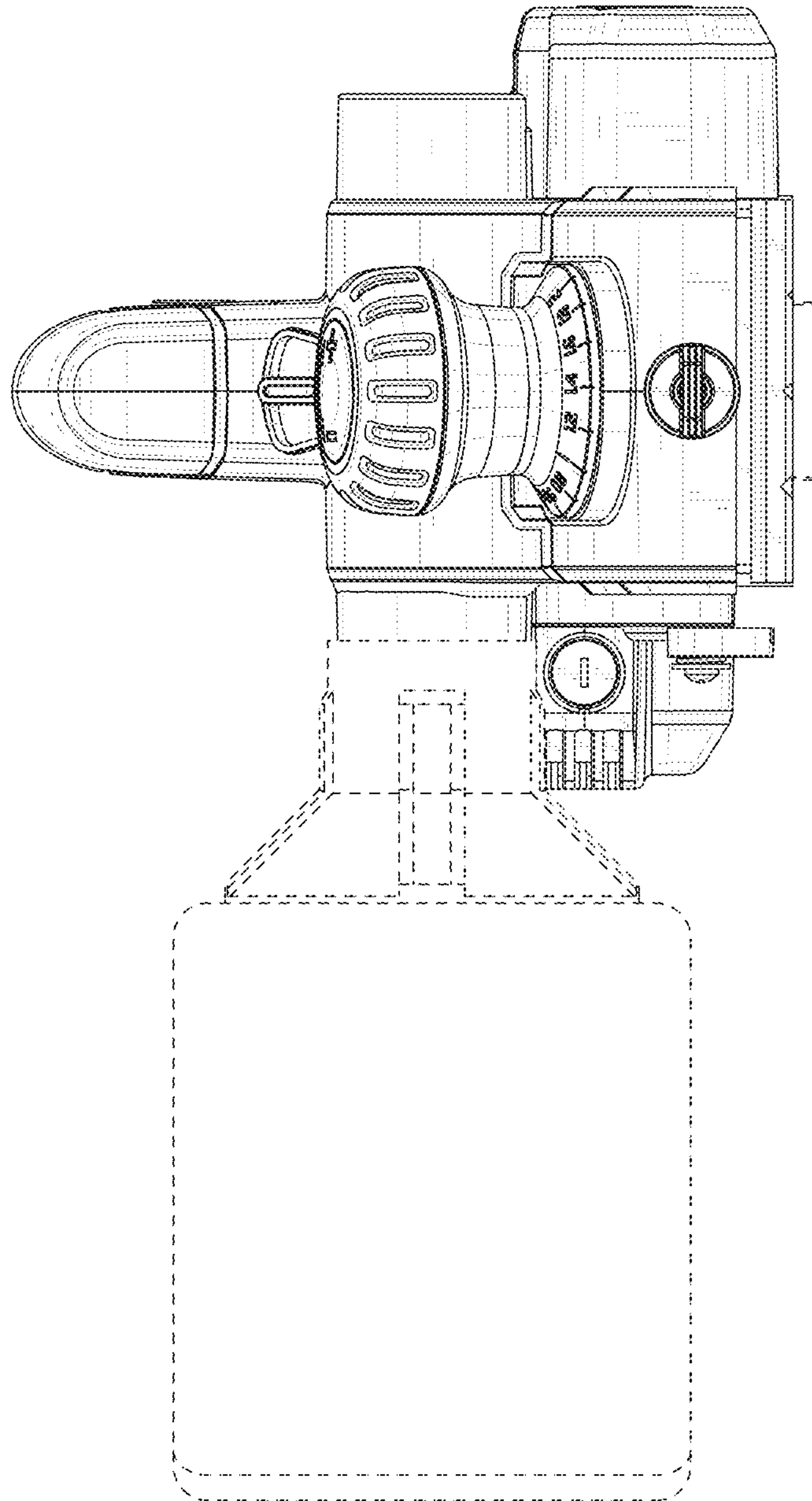


FIG. 9

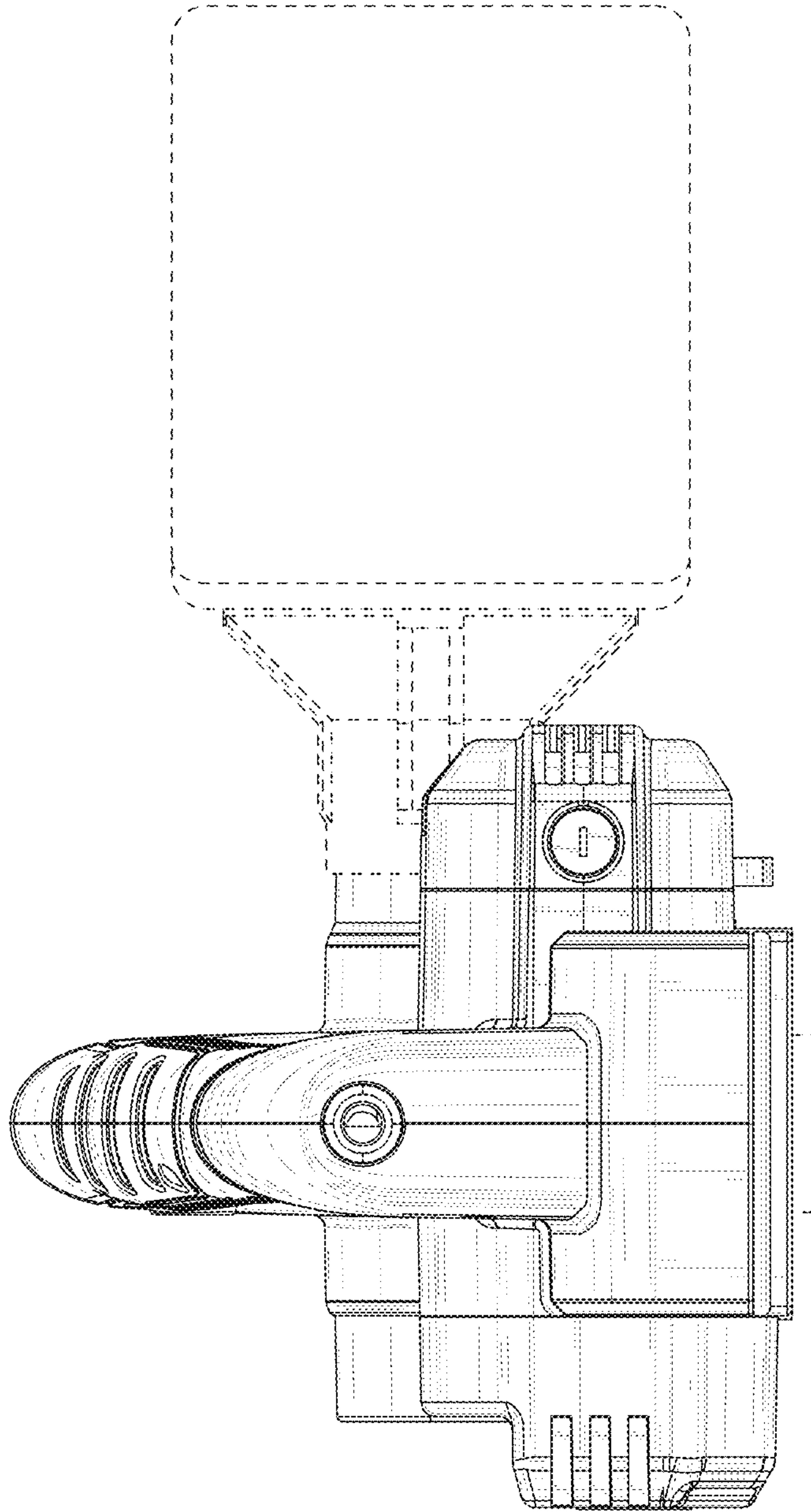


FIG. 10

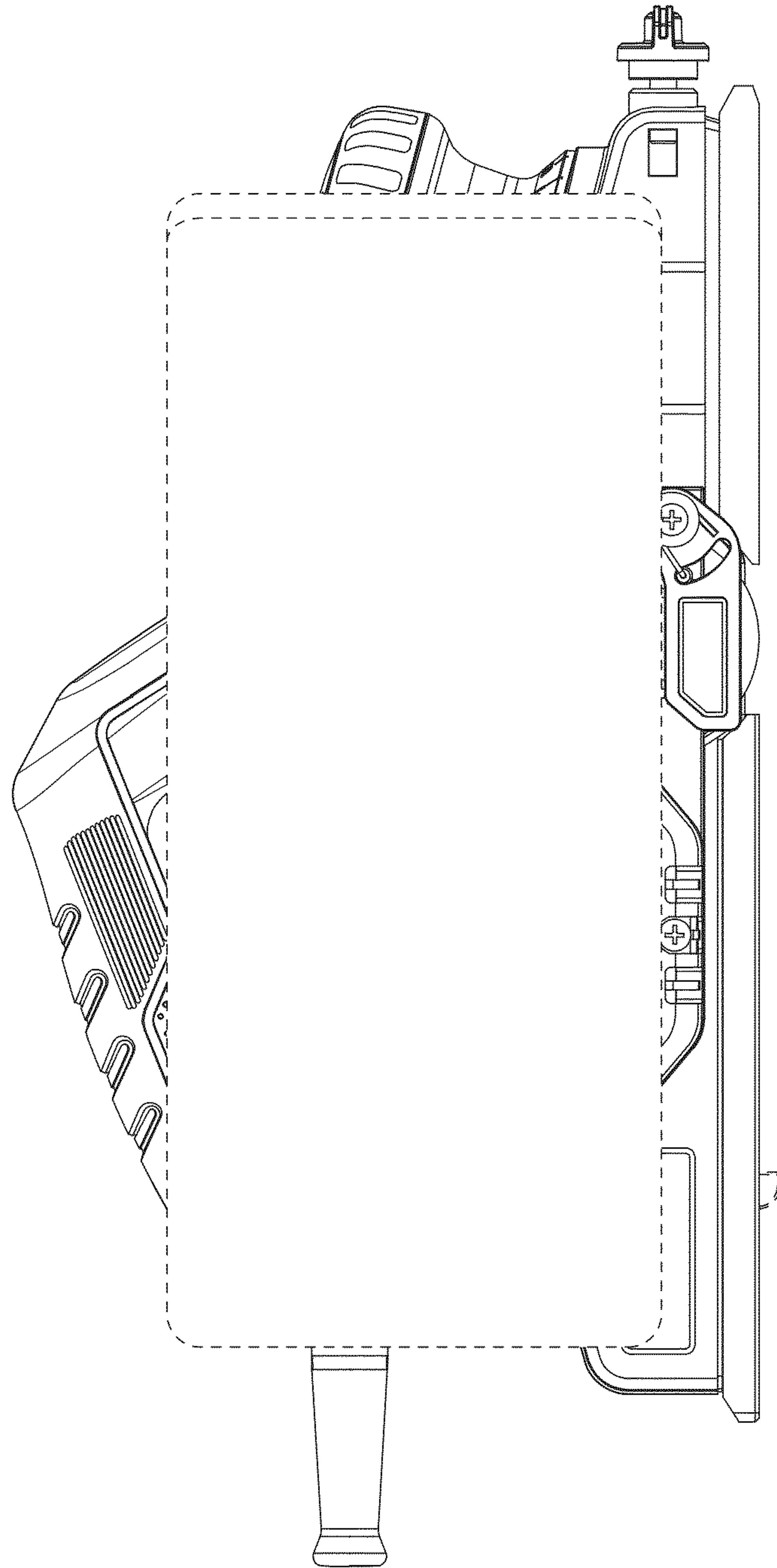


FIG. 11

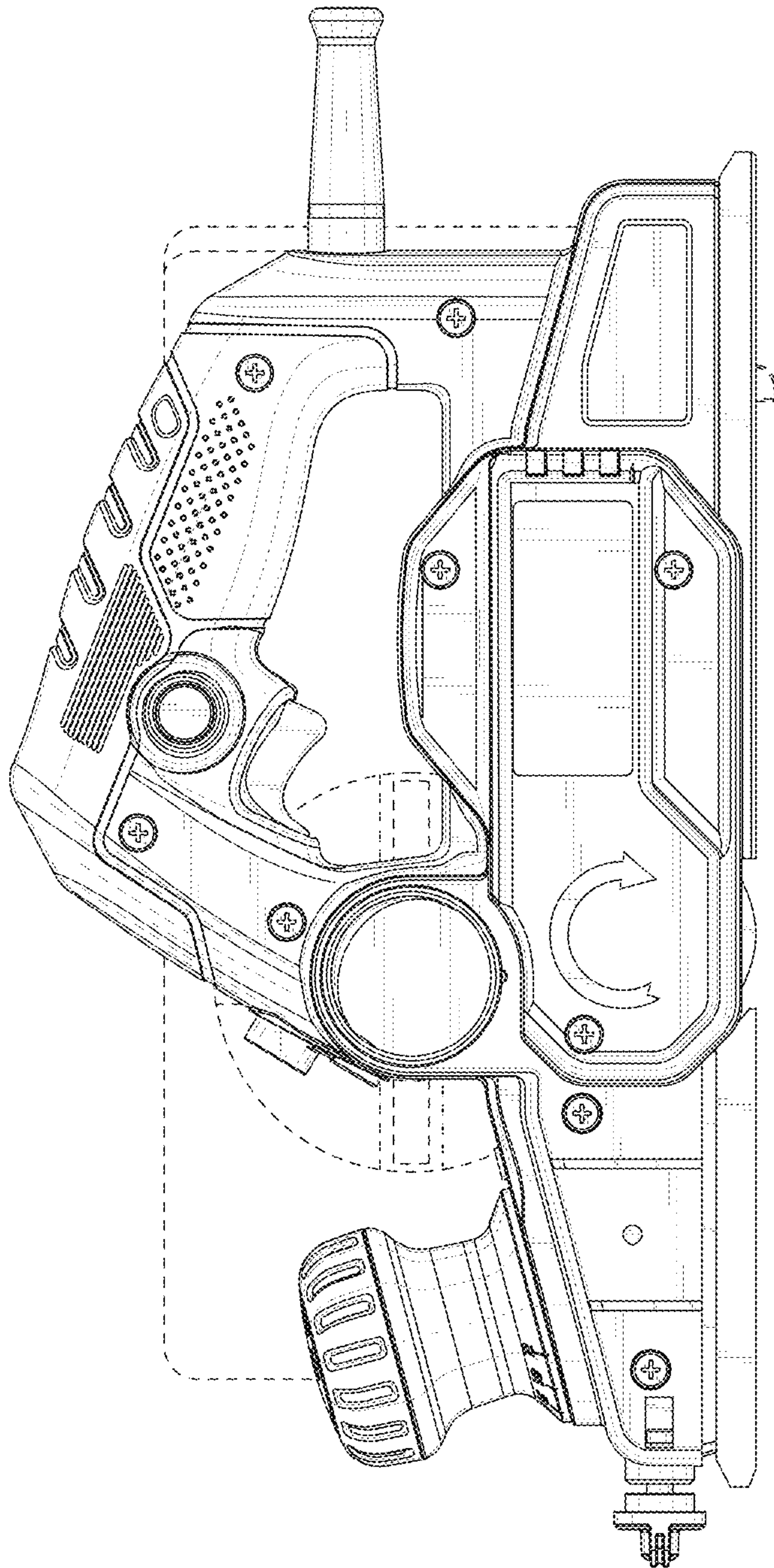


FIG. 12

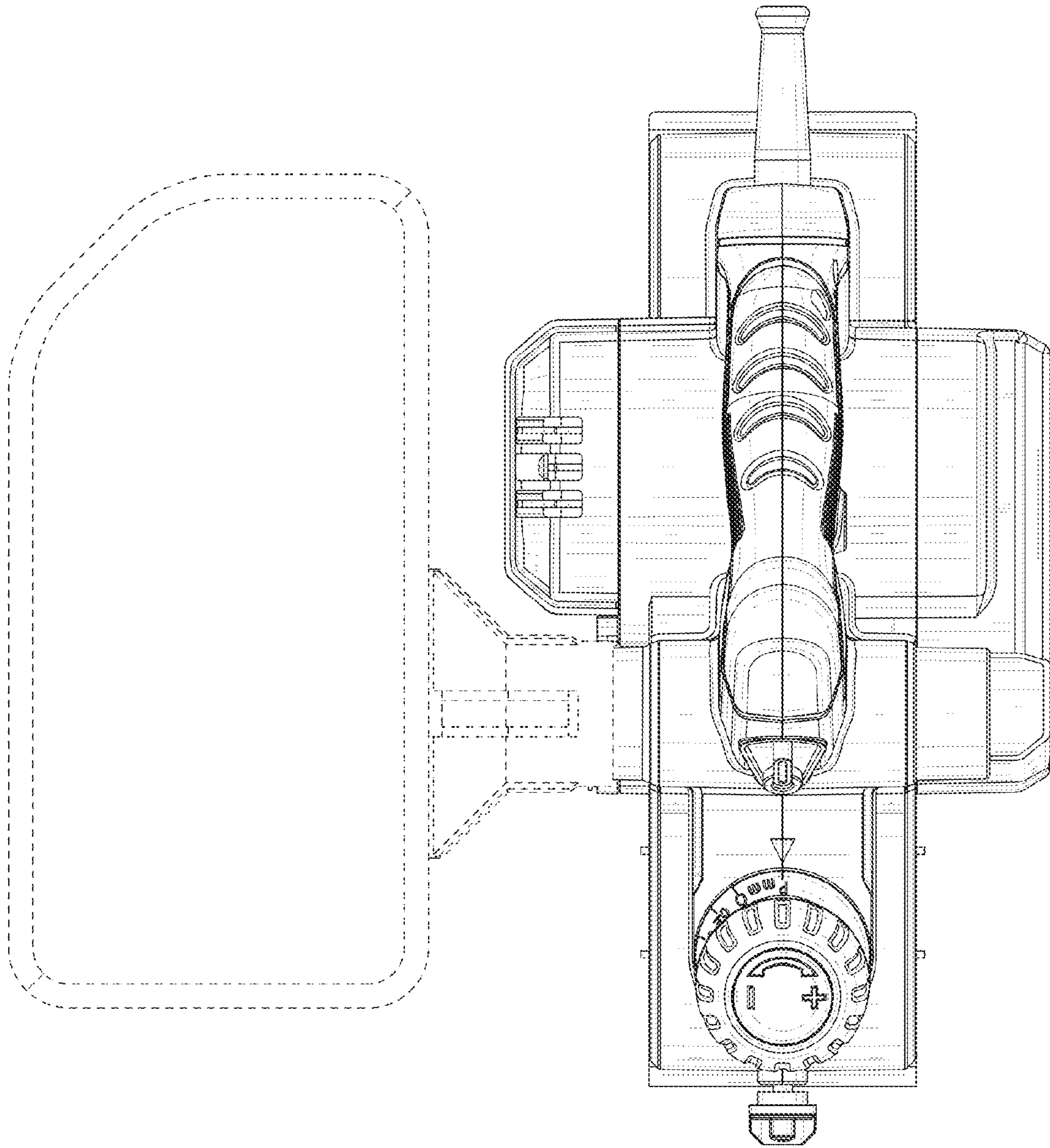


FIG. 13

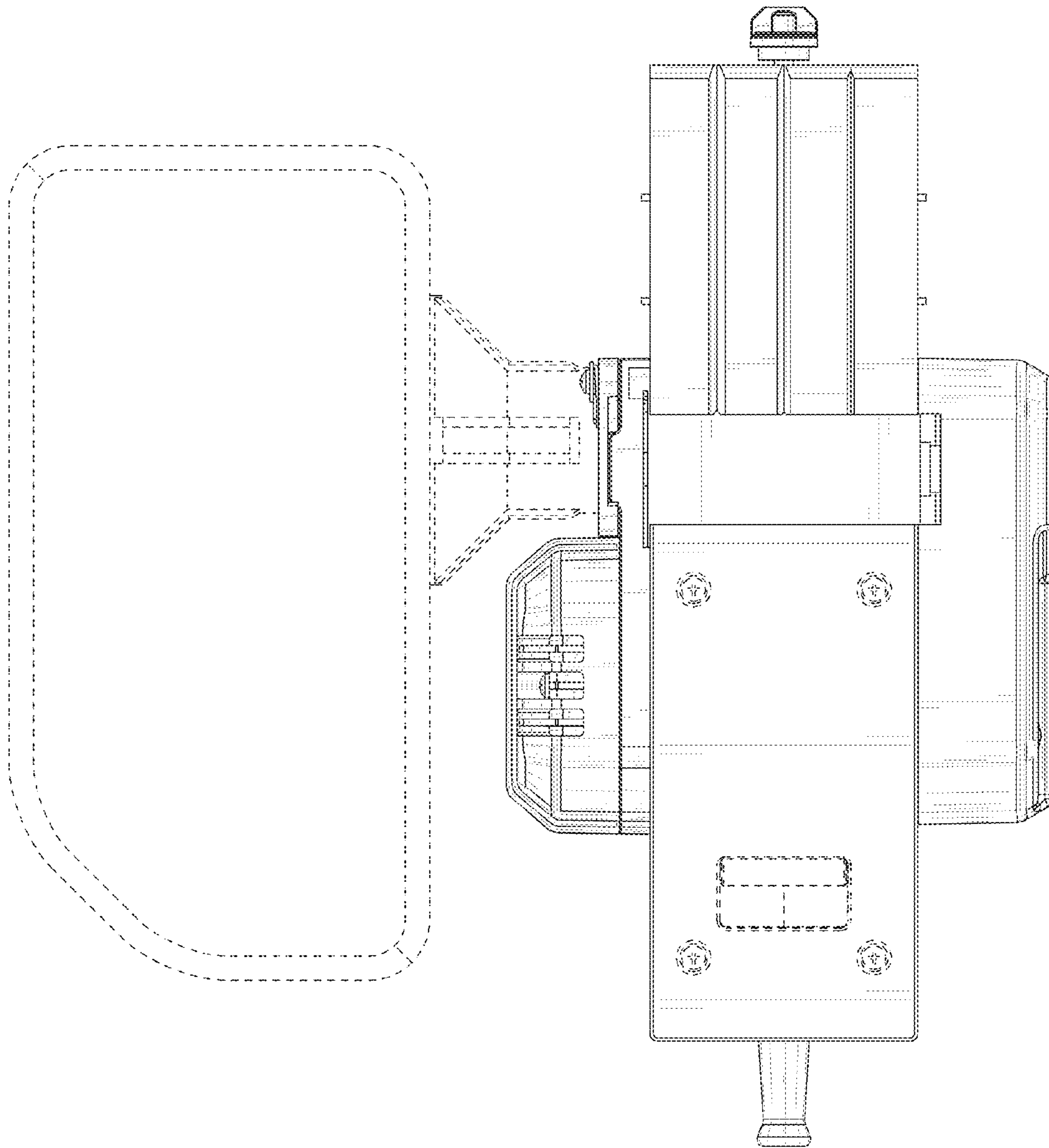


FIG. 14