



US00D683602S

(12) **United States Design Patent**  
**Jones**

(10) **Patent No.:** **US D683,602 S**

(45) **Date of Patent:** **\*\* Jun. 4, 2013**

(54) **POLE FOR CRANK SOLAR SHADE**

(75) Inventor: **Brent Jones**, Erie, CO (US)

(73) Assignee: **The Keystone Group**, Erie, CO (US)

(\*\*) Term: **14 Years**

(21) Appl. No.: **29/411,095**

(22) Filed: **Jan. 17, 2012**

(51) **LOC (9) Cl.** ..... **08-05**

(52) **U.S. Cl.**  
USPC ..... **D8/14; D8/307**

(58) **Field of Classification Search**  
USPC ..... D8/14, 107, 300, 303, 306–307,  
D8/309, 311–312, 315; D22/134, 149; 60/309;  
81/484; 294/175, 209

See application file for complete search history.

(56) **References Cited**

**U.S. PATENT DOCUMENTS**

|           |     |         |                |           |
|-----------|-----|---------|----------------|-----------|
| 1,345,027 | A * | 6/1920  | Rippe          | 81/484    |
| 1,545,199 | A * | 7/1925  | Rippe          | 160/309   |
| 1,643,281 | A * | 9/1927  | Baumann et al. | 160/300   |
| 1,643,282 | A * | 9/1927  | Baumann et al. | 160/309   |
| 1,681,990 | A * | 8/1928  | Lewis          | 294/175   |
| 1,683,903 | A * | 9/1928  | Kirschberg     | 160/309   |
| 1,712,455 | A * | 5/1929  | Connolly       | 160/309   |
| 1,744,686 | A * | 1/1930  | Pease et al.   | 160/309   |
| 2,971,619 | A * | 2/1961  | Koslo          | 192/223.3 |
| 3,182,960 | A * | 5/1965  | French         | 254/134.7 |
| 3,311,398 | A * | 3/1967  | Erhardt        | 294/175   |
| 3,955,302 | A * | 5/1976  | Tudisco        | 43/6      |
| 4,351,126 | A * | 9/1982  | Simonson       | 43/5      |
| 4,547,989 | A * | 10/1985 | Karlsson       | 43/5      |
| 4,881,338 | A * | 11/1989 | Lung           | 43/5      |
| 5,487,576 | A * | 1/1996  | DuVivier       | 294/210   |
| D400,411  | S * | 11/1998 | Ambrose        | D8/14     |
| 5,957,015 | A * | 9/1999  | Jackson        | 81/484    |

|              |      |         |               |             |
|--------------|------|---------|---------------|-------------|
| 6,095,580    | A *  | 8/2000  | Crocker       | 294/175     |
| 6,142,553    | A *  | 11/2000 | Bodecker      | 296/98      |
| 6,293,601    | B1 * | 9/2001  | Johnson       | 294/26      |
| D520,854     | S *  | 5/2006  | Barrett       | D8/307      |
| 7,309,088    | B2 * | 12/2007 | Fiore et al.  | 294/24      |
| D563,775     | S *  | 3/2008  | Marconi       | D8/370      |
| 7,780,210    | B1 * | 8/2010  | Boyum         | 294/209     |
| D656,373     | S *  | 3/2012  | Martin        | D8/14       |
| 8,262,147    | B2 * | 9/2012  | Boyum         | 294/209     |
| 8,286,684    | B2 * | 10/2012 | Hanley et al. | 160/84.04   |
| 2002/0062931 | A1 * | 5/2002  | Allsopp       | 160/168.1 R |
| 2004/0103995 | A1 * | 6/2004  | Nien          | 160/170     |
| 2004/0200583 | A1 * | 10/2004 | Nien          | 160/177 R   |

**OTHER PUBLICATIONS**

Andersen Extension Pole. Downloaded from [http://www.allaboutdoors.com/product\\_info.php?cPath=143\\_151&products\\_id=1853309&...](http://www.allaboutdoors.com/product_info.php?cPath=143_151&products_id=1853309&...) Jan. 24, 2013.\*

\* cited by examiner

*Primary Examiner* — Susan E Krakower

*Assistant Examiner* — Roselynn Cody

(74) *Attorney, Agent, or Firm* — Lathrop & Gage LLP

(57) **CLAIM**

The ornamental design for a pole for crank solar shade, as shown and described.

**DESCRIPTION**

FIG. 1 is a top, front and left perspective view of a pole for crank solar shade, showing my new design;

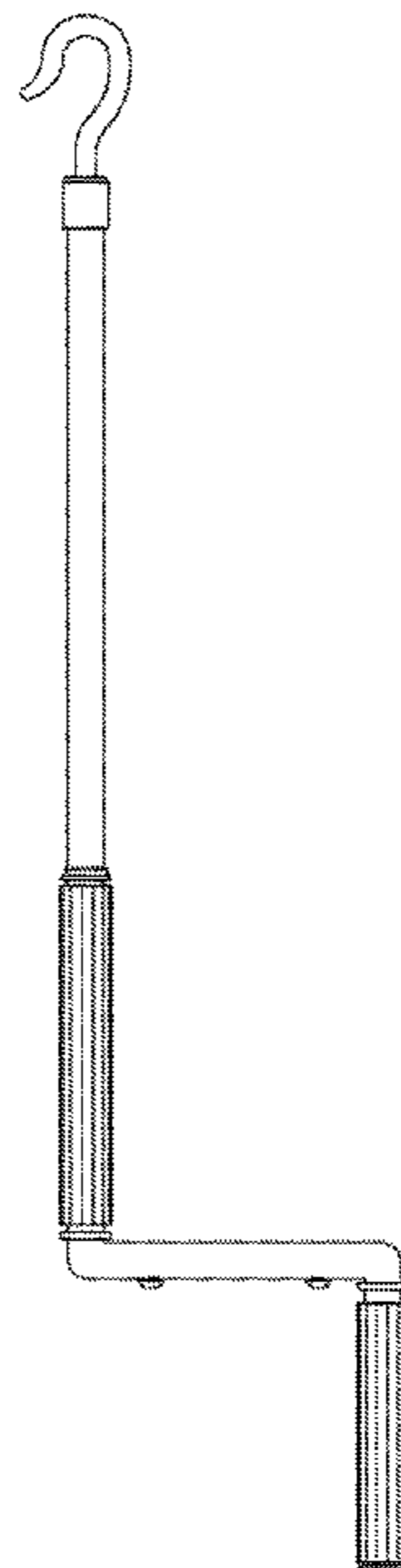
FIG. 2 is a bottom view thereof;

FIG. 3 is a top view thereof;

FIG. 4 is a left view thereof, the right view being a mirror image; and,

FIG. 5 is a back view thereof.

**1 Claim, 2 Drawing Sheets**



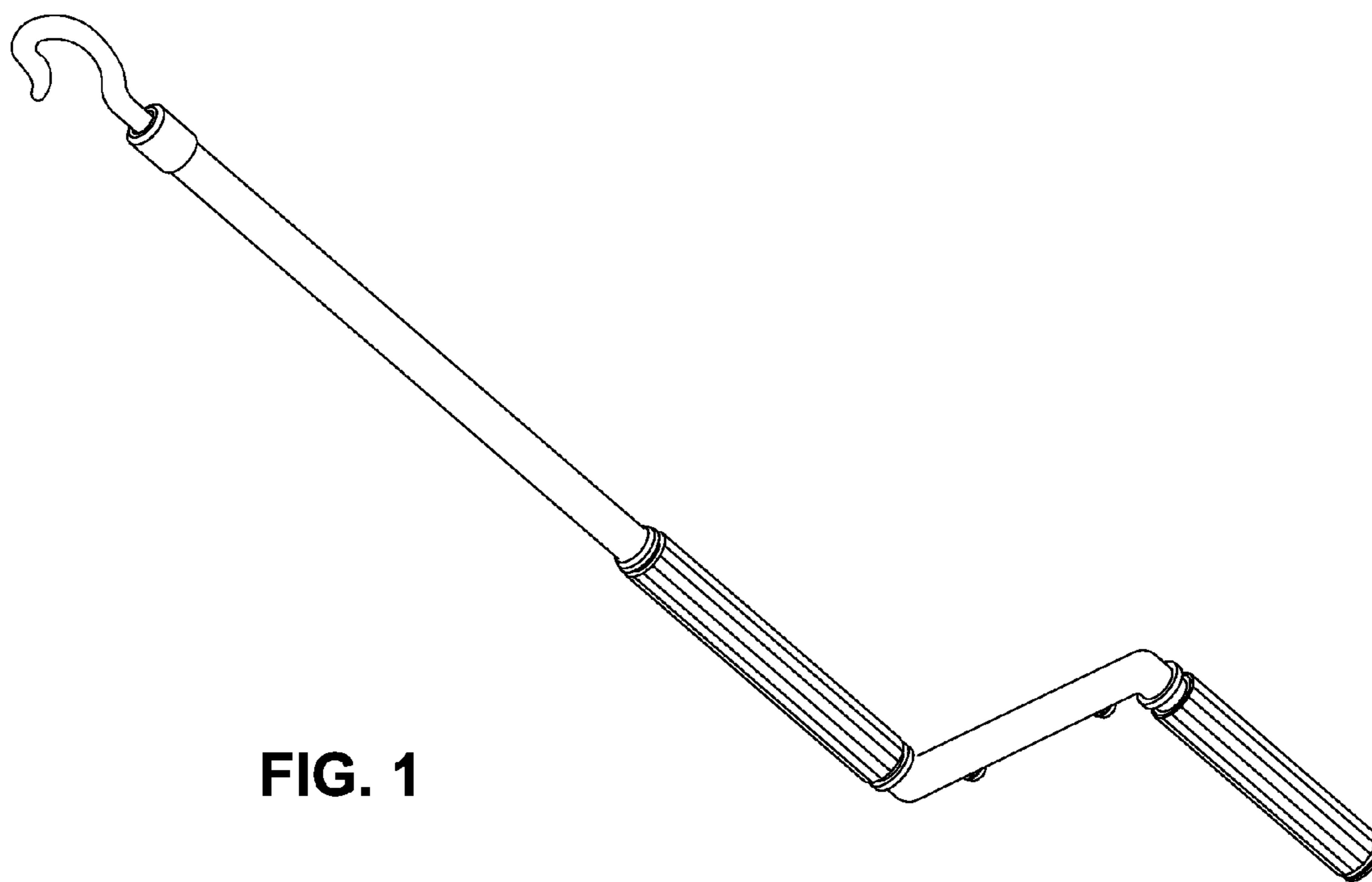


FIG. 1

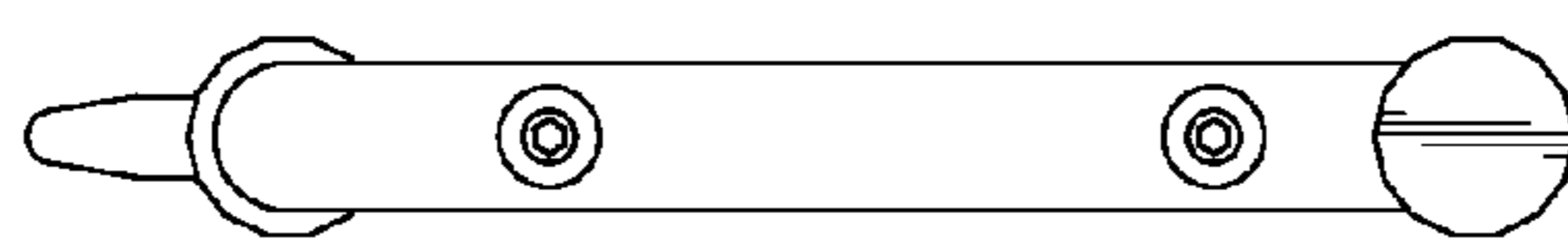


FIG. 2

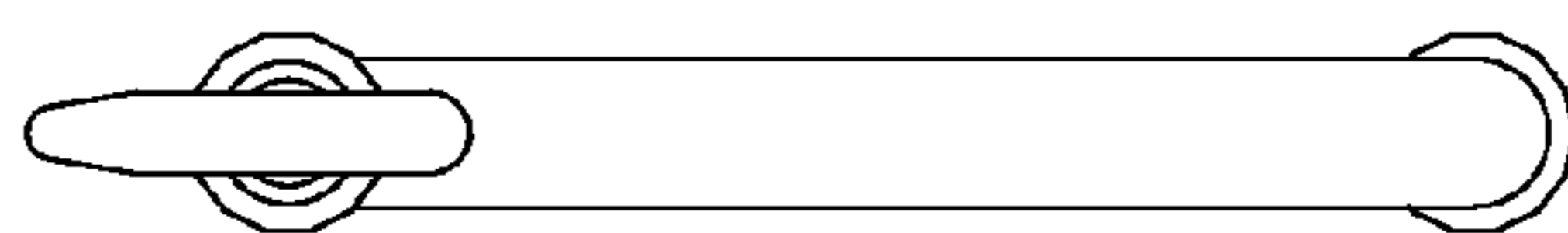


FIG. 3

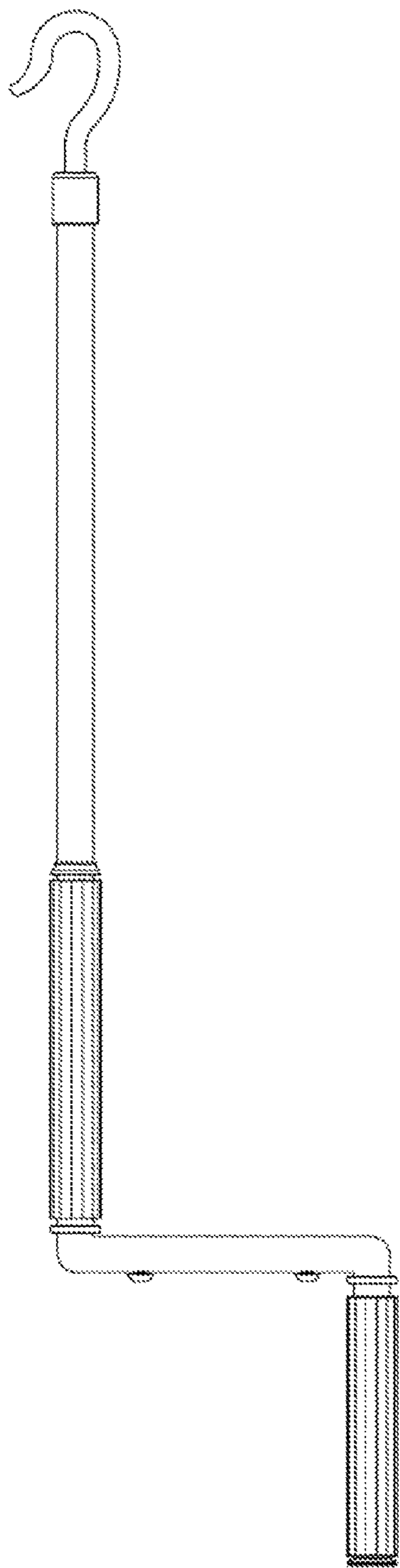


FIG. 4



FIG. 5