



US00D683601S

(12) **United States Design Patent**  
**Leung**

(10) **Patent No.:** **US D683,601 S**  
(45) **Date of Patent:** **\*\* Jun. 4, 2013**

- (54) **LAWN "C" RAKE**
- (76) **Inventor:** **Francis Leung**, Dipper Harbour (CA)
- (\*\*) **Term:** **14 Years**
- (21) **Appl. No.:** **29/412,701**
- (22) **Filed:** **Feb. 7, 2012**
- (51) **LOC (9) Cl.** ..... **08-01**
- (52) **U.S. Cl.**  
USPC ..... **D8/10**
- (58) **Field of Classification Search**  
USPC ..... D8/10; D34/18; 294/54.5, 49, 56,  
294/51, 58, 59; 7/116; 37/284  
See application file for complete search history.

6,435,580	B1 *	8/2002	Lock	.....	294/54.5
D475,257	S *	6/2003	Somers	.....	D8/10
7,305,779	B1 *	12/2007	Purvis	.....	37/285
D586,192	S *	2/2009	Chesness	.....	D8/10
D598,256	S *	8/2009	Chesness	.....	D8/10
D602,318	S *	10/2009	Chesness	.....	D8/10
7,681,933	B2 *	3/2010	Chesness	.....	294/54.5
D626,803	S *	11/2010	Coutu	.....	D8/10
D632,532	S *	2/2011	Coutu	.....	D8/10

\* cited by examiner

*Primary Examiner* — Sheryl Lane

(57) **CLAIM**

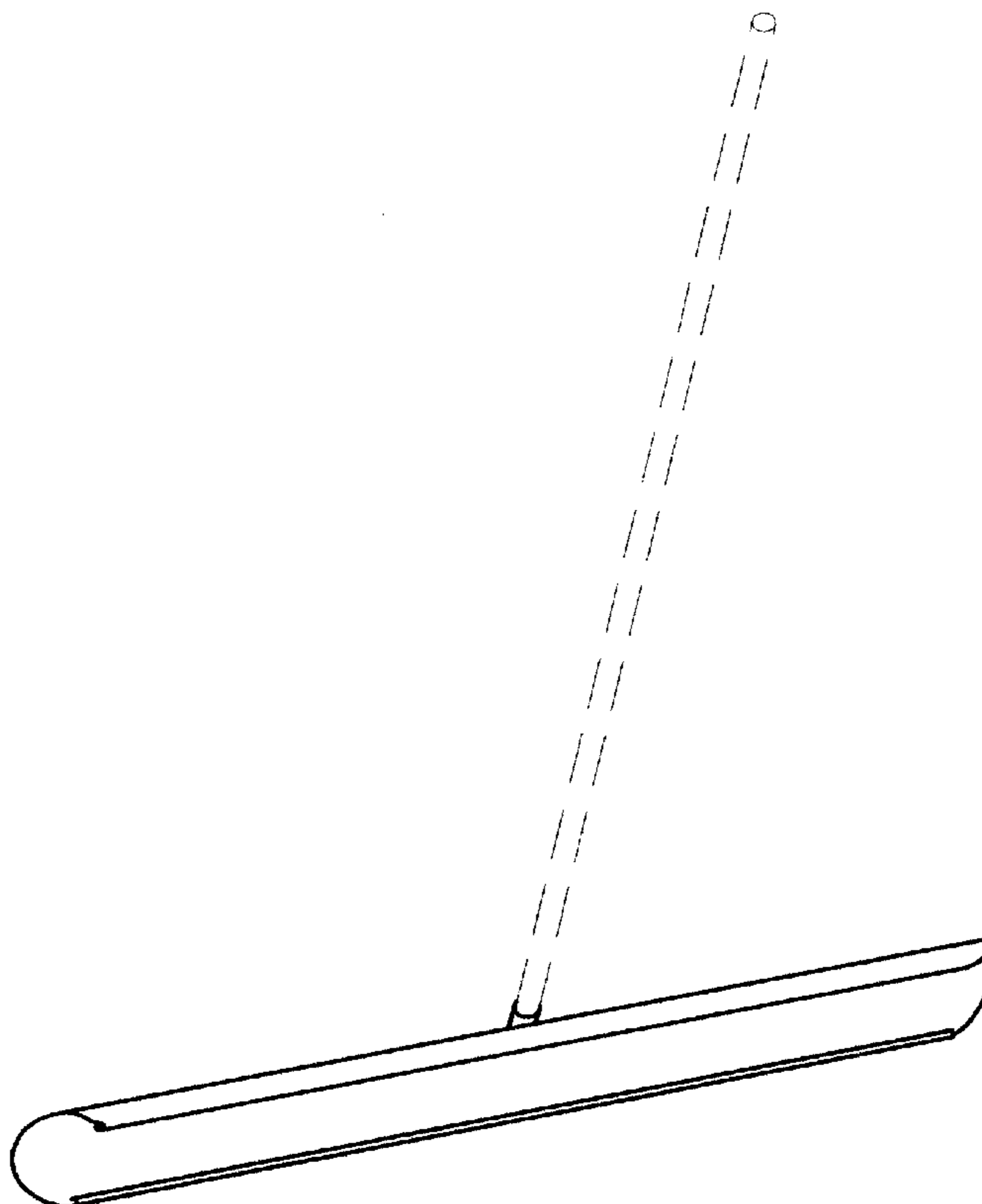
The ornamental design for a lawn "C" rake, as shown and described.

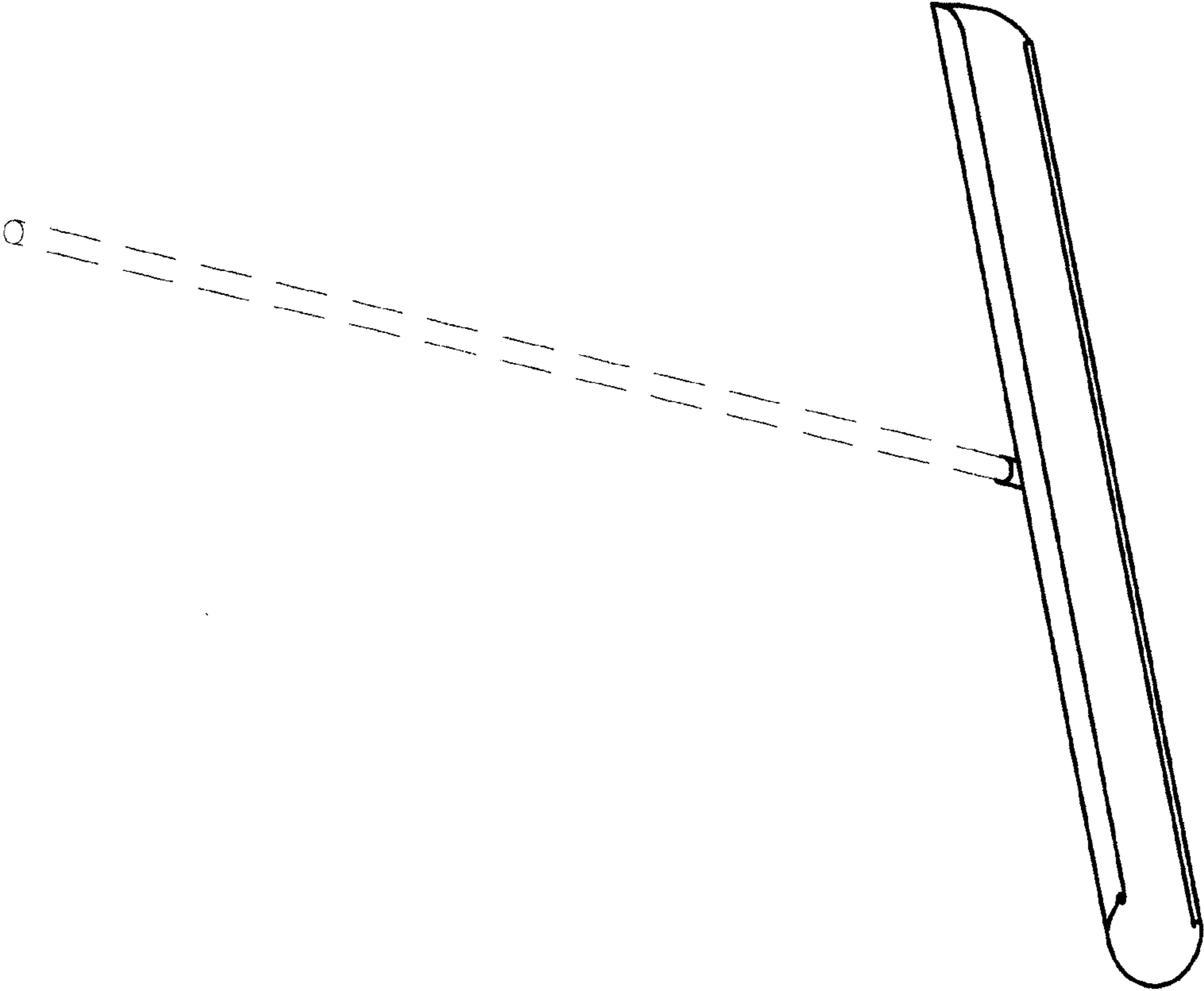
**DESCRIPTION**

FIG. 1 is a perspective view of the lawn "C" rake with long handle showing environment;  
 FIG. 2 is a front elevation view thereof;  
 FIG. 3 is a rear elevation view thereof;  
 FIG. 4 is a top plan view thereof;  
 FIG. 5 is a left end elevation view thereof; and,  
 FIG. 6 is a right end elevation view thereof.  
 The broken line showing of the handle is included for the purpose of showing portions of the article and forms no part of the claimed design.

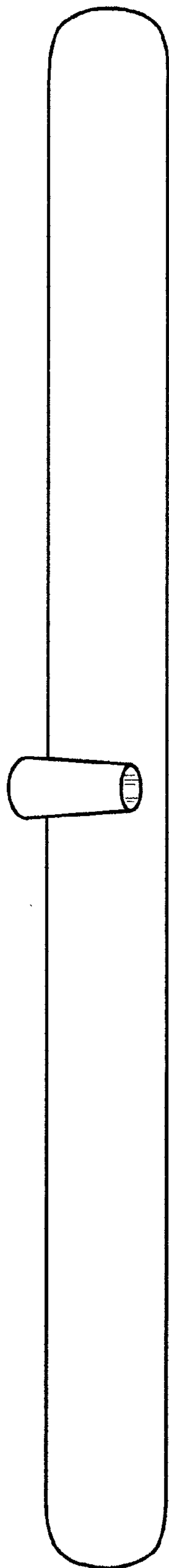
**1 Claim, 3 Drawing Sheets**

- (56) **References Cited**
- U.S. PATENT DOCUMENTS**
- 2,896,993 A \* 7/1959 Pollock ..... 37/283
- 4,538,847 A \* 9/1985 Lapshansky ..... 294/51
- 4,559,726 A \* 12/1985 Moisan ..... 37/267
- D307,378 S \* 4/1990 D'Alessandro ..... D8/10
- D333,074 S \* 2/1993 Ciccarelli ..... D8/10
- D361,482 S \* 8/1995 Fugal ..... D8/10
- D375,882 S \* 11/1996 Ritchie et al. .... D8/10
- D401,126 S \* 11/1998 Sroufe ..... D8/10
- D409,885 S \* 5/1999 McKenzie ..... D8/10
- 5,975,602 A \* 11/1999 Zan ..... 294/54.5

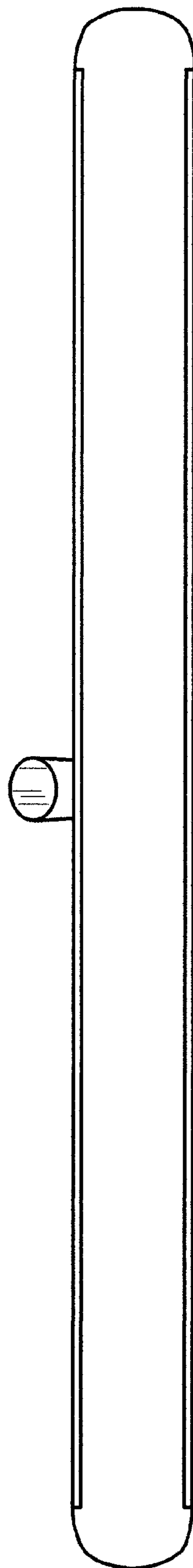




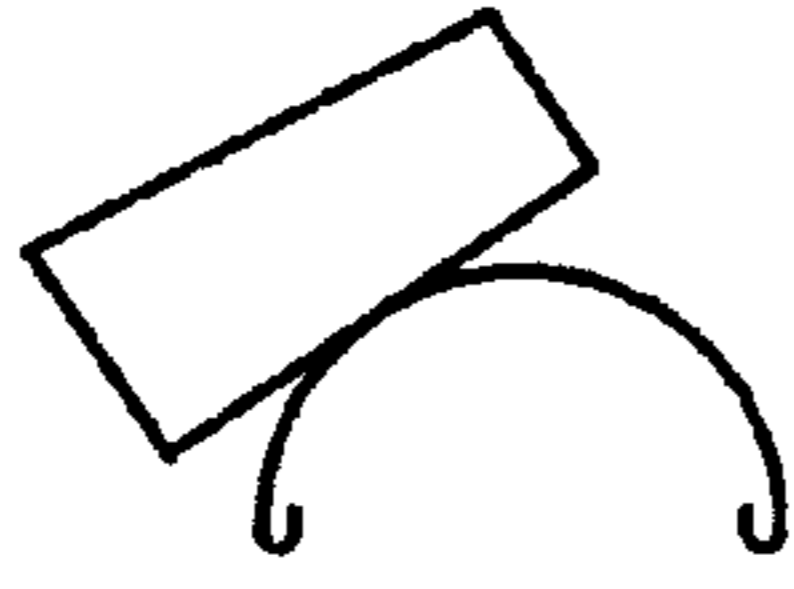
**Fig. 1**



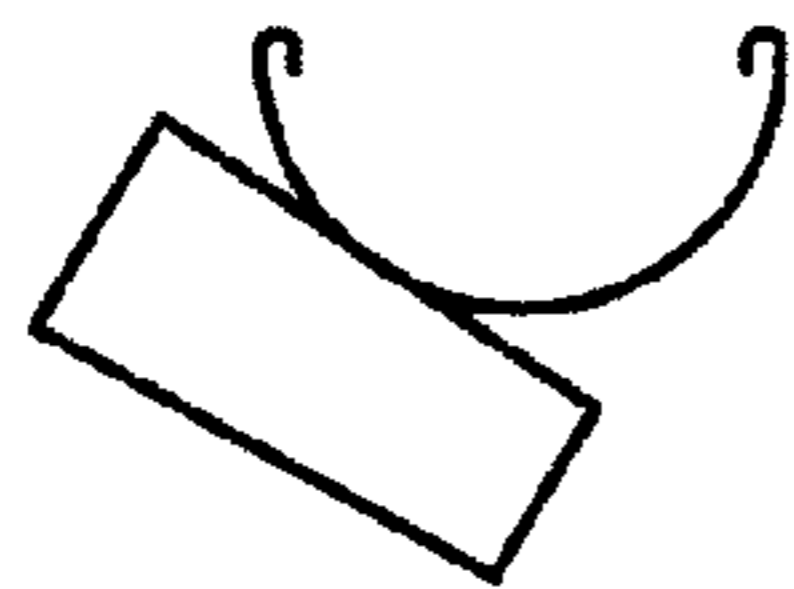
**Fig. 3**



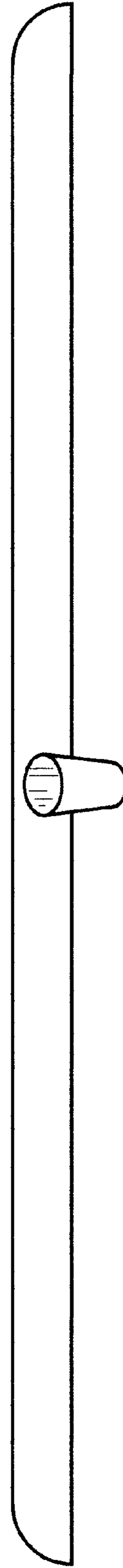
**Fig. 2**



**Fig. 6**



**Fig. 5**



**Fig. 4**