



US00D683599S

(12) **United States Design Patent**  
**Hand**

(10) **Patent No.:** **US D683,599 S**

(45) **Date of Patent:** **\*\* Jun. 4, 2013**

(54) **FOOD HOLDER**

(75) **Inventor:** **James C. Hand**, Glen Ellyn, IL (US)

(73) **Assignee:** **Columbia Insurance Company**,  
Omaha, NE (US)

(\*\*) **Term:** **14 Years**

(21) **Appl. No.:** **29/417,806**

(22) **Filed:** **Apr. 9, 2012**

(51) **LOC (9) Cl.** ..... **07-04**

(52) **U.S. Cl.**  
**USPC** ..... **D7/672**

(58) **Field of Classification Search**  
**USPC** ..... D7/672-677, 678, 381, 382, 384,  
D7/669, 368, 372; 241/93, 94, 101.1, 37.5,  
241/36, 273.1-273.4, 100, 285.1, 283, 285.2,  
241/168, 169; 83/651.1, 648, 356.2, 431,  
83/425.3, 435.15, 437.7, 441.1, 247, 856,  
83/857, 932, 167, 13; 99/537, 588; 30/279.6,  
30/280

See application file for complete search history.

(56) **References Cited**

**U.S. PATENT DOCUMENTS**

4,038,892	A	8/1977	Popeil	
D249,044	S	8/1978	Popeil	
4,212,431	A	7/1980	Doyel	
D354,886	S	1/1995	Diefenbach	
D399,711	S	10/1998	Cohen et al.	
D442,033	S	5/2001	de Saint-Genois	
6,598,518	B2	7/2003	Wong	
6,732,622	B2 *	5/2004	Vincent	30/279.6
D495,218	S *	8/2004	Yu	D7/673
7,066,071	B2	6/2006	Zeder et al.	
7,143,677	B2	12/2006	Zeder et al.	

D535,160	S	1/2007	Ishii	
D567,583	S	4/2008	Klotz et al.	
7,712,402	B2	5/2010	Ishii	
7,837,137	B2 *	11/2010	Klotz et al.	241/95
D632,139	S *	2/2011	Repac	D7/673
D651,483	S	1/2012	Bagley	
8,096,218	B2	1/2012	Klotz et al.	

(Continued)

**FOREIGN PATENT DOCUMENTS**

EP	0196550	3/1986
WO	WO 2005097436	10/2005
WO	WO 2006074704	7/2006

**OTHER PUBLICATIONS**

U.S. Appl. No. 29/392,610, filed May 24, 2011.

(Continued)

*Primary Examiner* — Terry Wallace

(74) *Attorney, Agent, or Firm* — Neal, Gerber & Eisenberg  
LLP

(57) **CLAIM**

The ornamental design for the food holder, as shown and described.

**DESCRIPTION**

FIG. 1 is a perspective view of the food holder of the present invention;

FIG. 2 is a first side elevational view thereof;

FIG. 3 is a second side elevational view thereof;

FIG. 4 is a third side elevational view thereof;

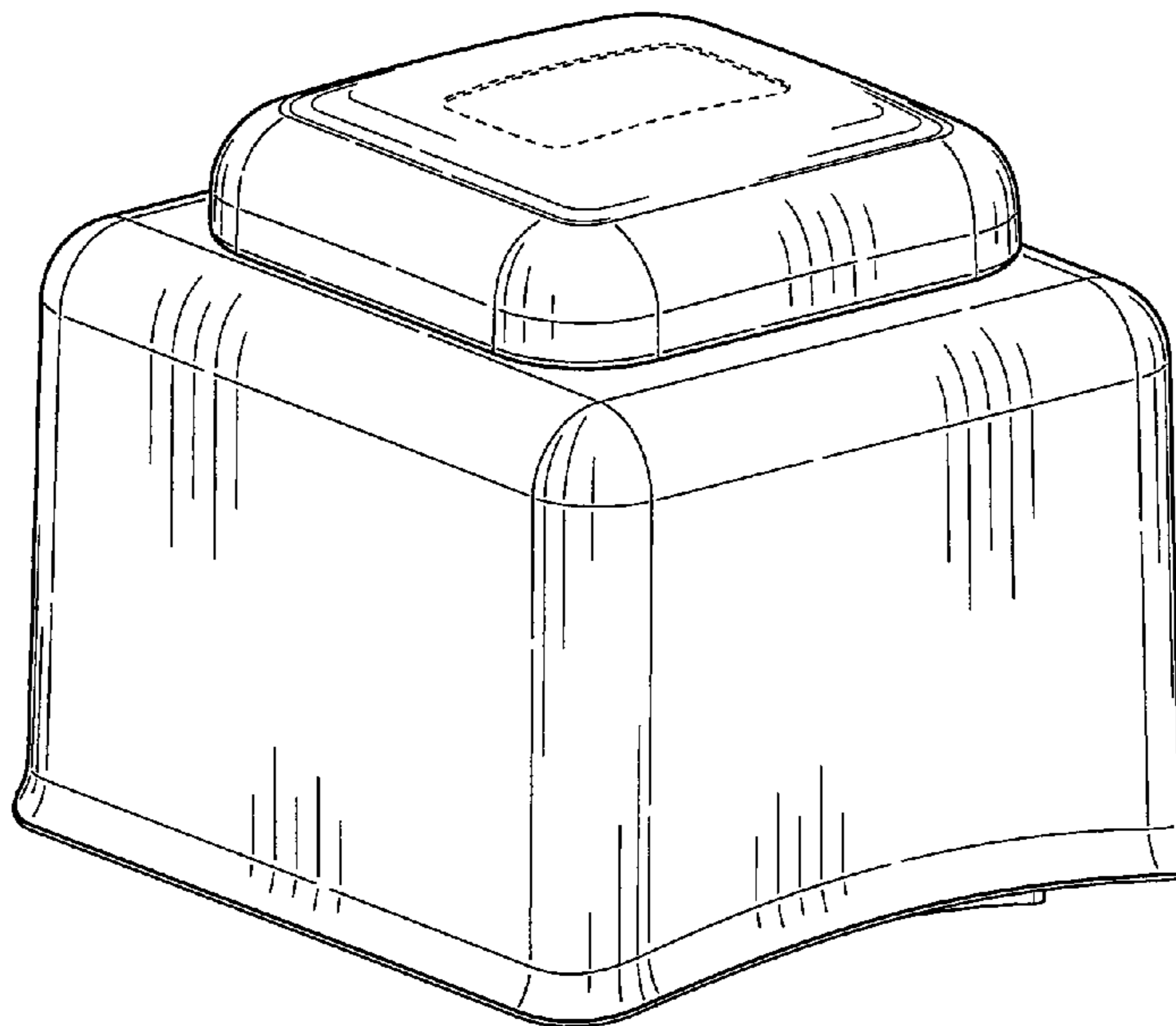
FIG. 5 is a fourth side elevational view thereof;

FIG. 6 is a top plan view thereof; and,

FIG. 7 is a bottom plan view thereof.

The broken lines in the drawings illustrate the portions of the design that form no part of the claim.

**1 Claim, 4 Drawing Sheets**



# US D683,599 S

Page 2

---

## U.S. PATENT DOCUMENTS

2004/0200366 A1 10/2004 Koerselman et al.  
2006/0075872 A1 4/2006 Wangler  
2006/0261196 A1 11/2006 Klotz et al.  
2007/0062349 A1 3/2007 Ishii  
2007/0125207 A1 6/2007 Lucas et al.  
2008/0257128 A1 10/2008 Reimann et al.  
2009/0255391 A1 10/2009 Hood et al.  
2011/0094111 A1 4/2011 Hauser et al.

## OTHER PUBLICATIONS

U.S. Appl. No. 29/406,743, filed Nov. 18, 2011.  
U.S. Appl. No. 29/417,781, filed Apr. 9, 2012.  
The Pampered Chef Fall/Winter 2010 Product Catalog (published at least as early as Sep. 2010), the Ultimate Mandoline, p. 30 (selected pages).

\* cited by examiner

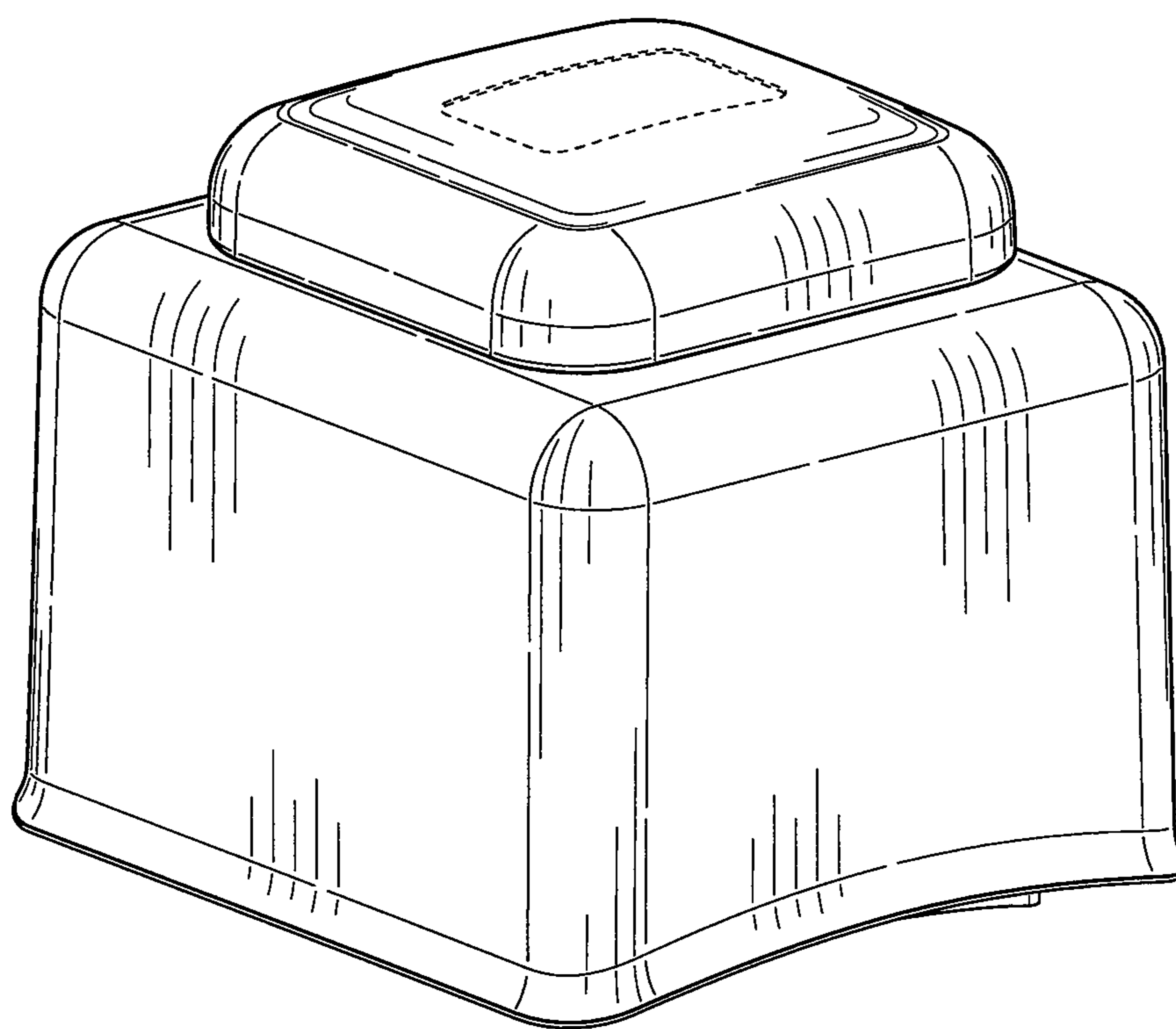


FIG. 1

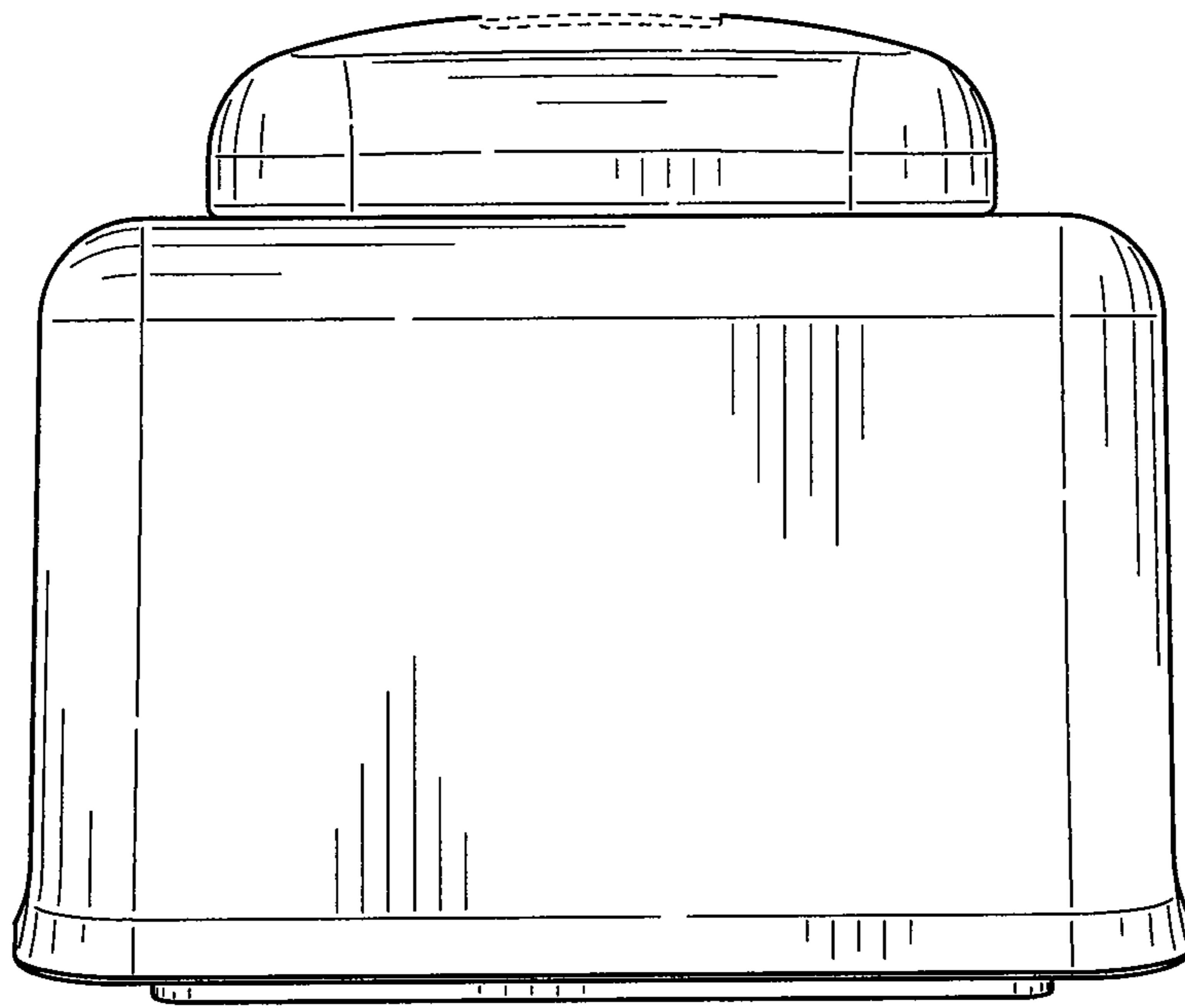


FIG. 2

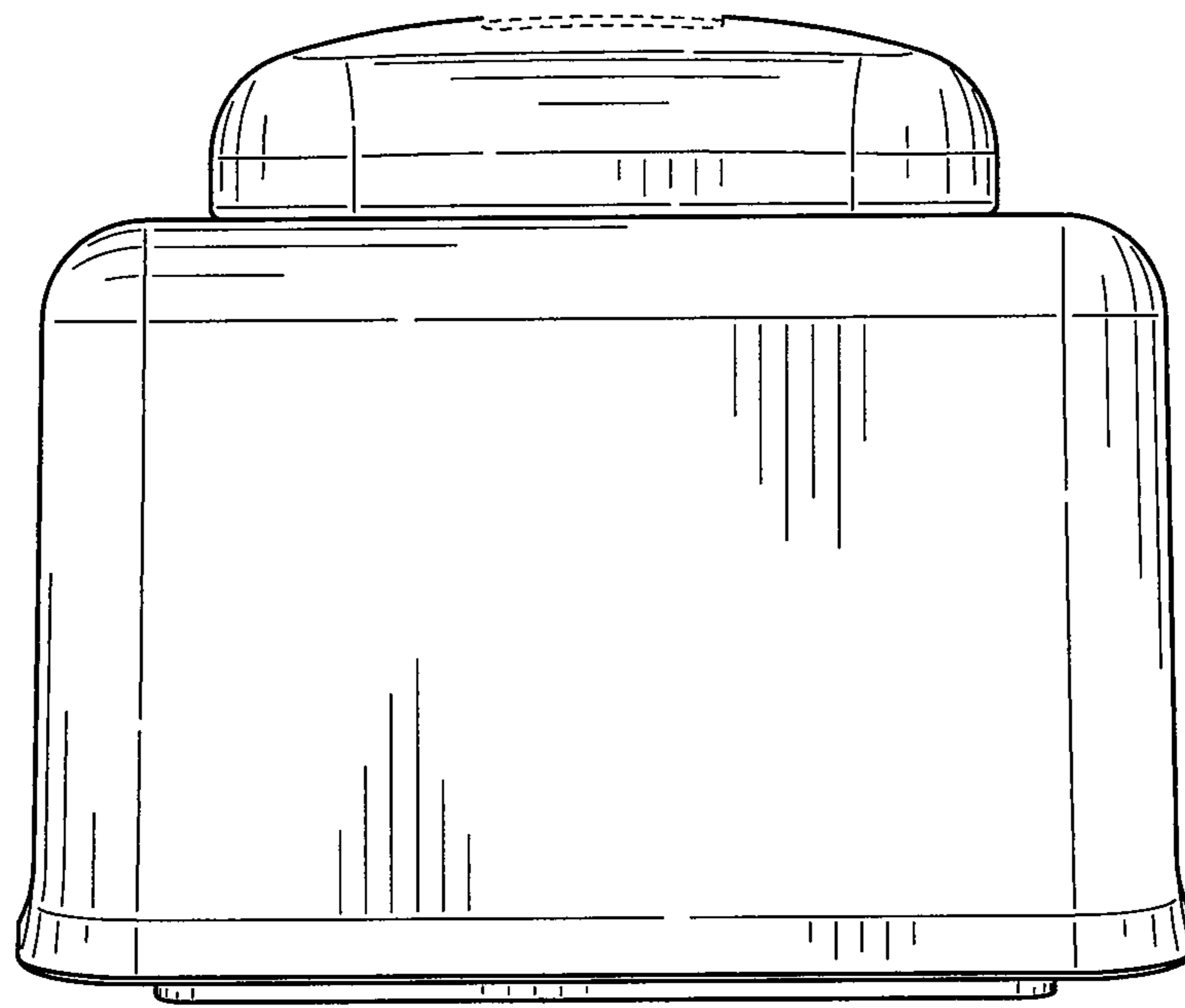


FIG. 3

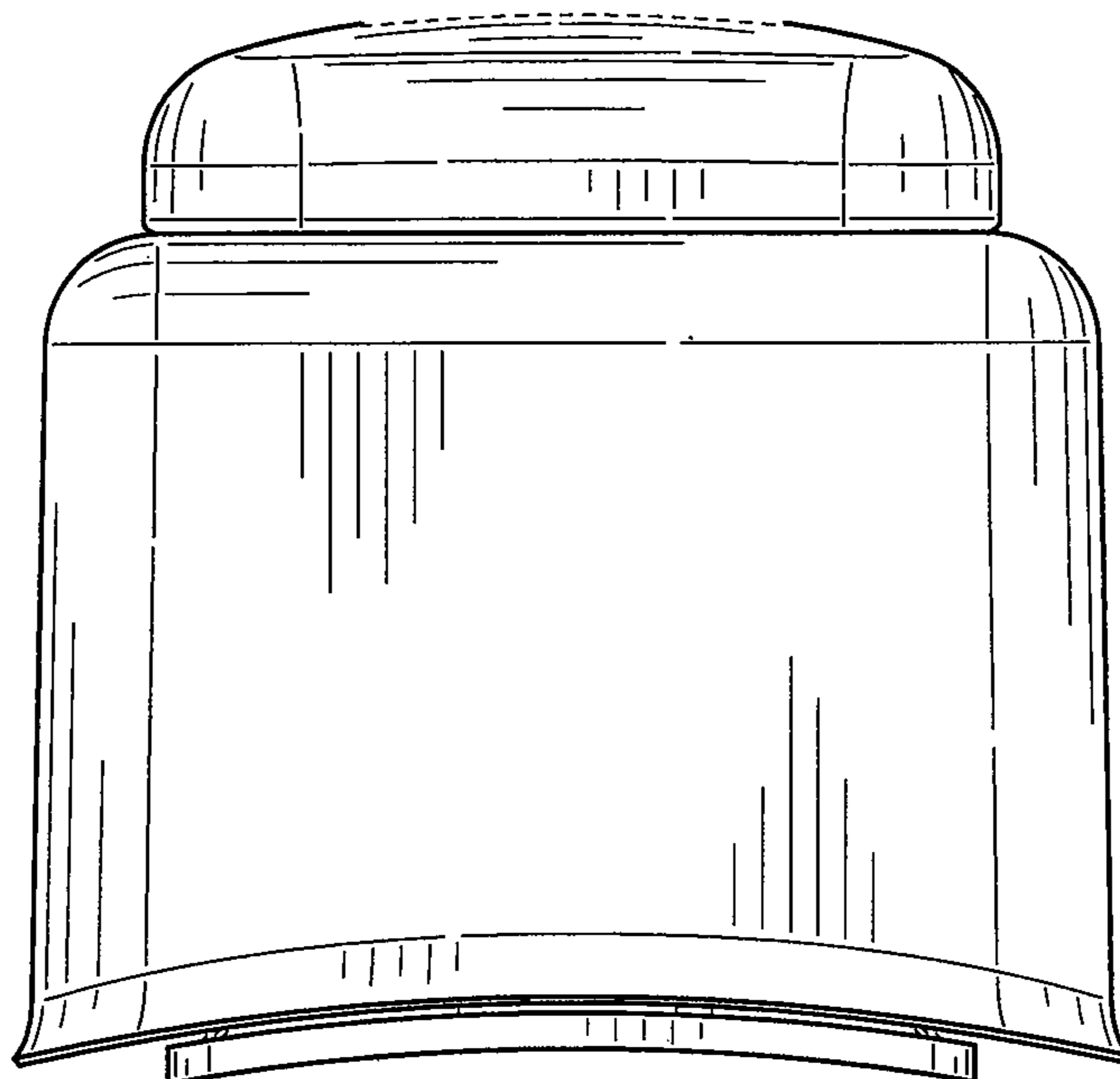


FIG. 4

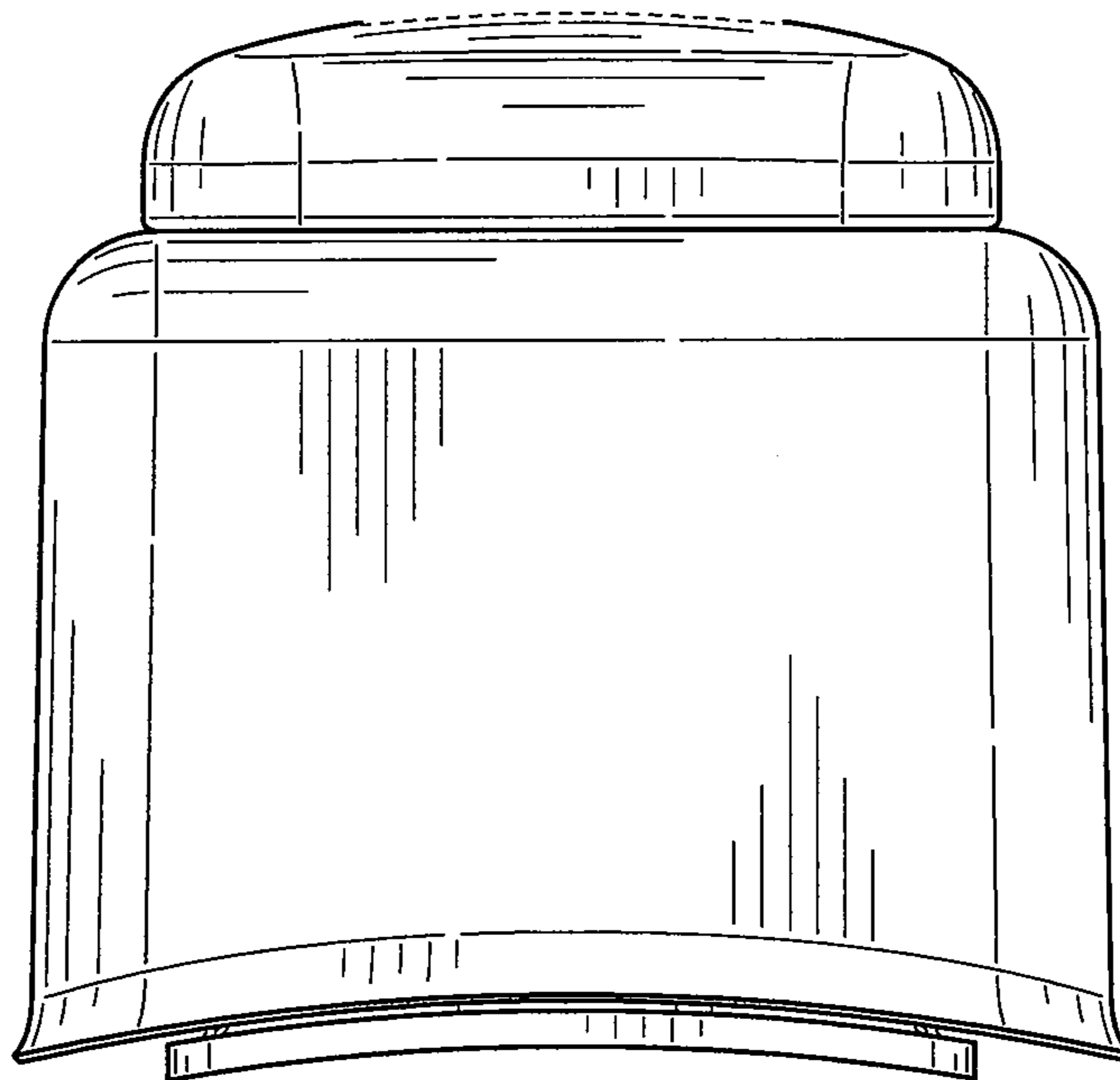


FIG. 5

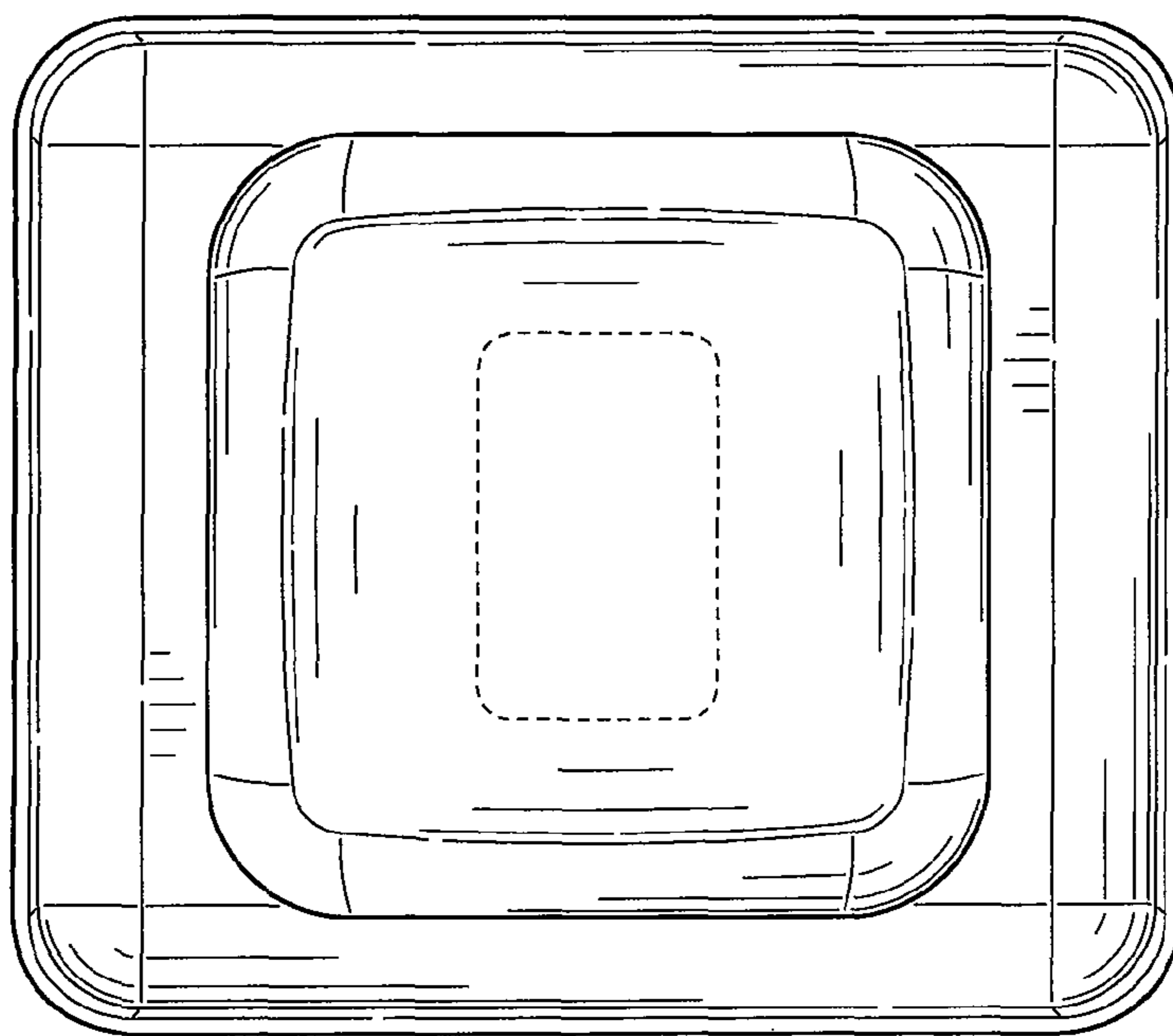


FIG. 6

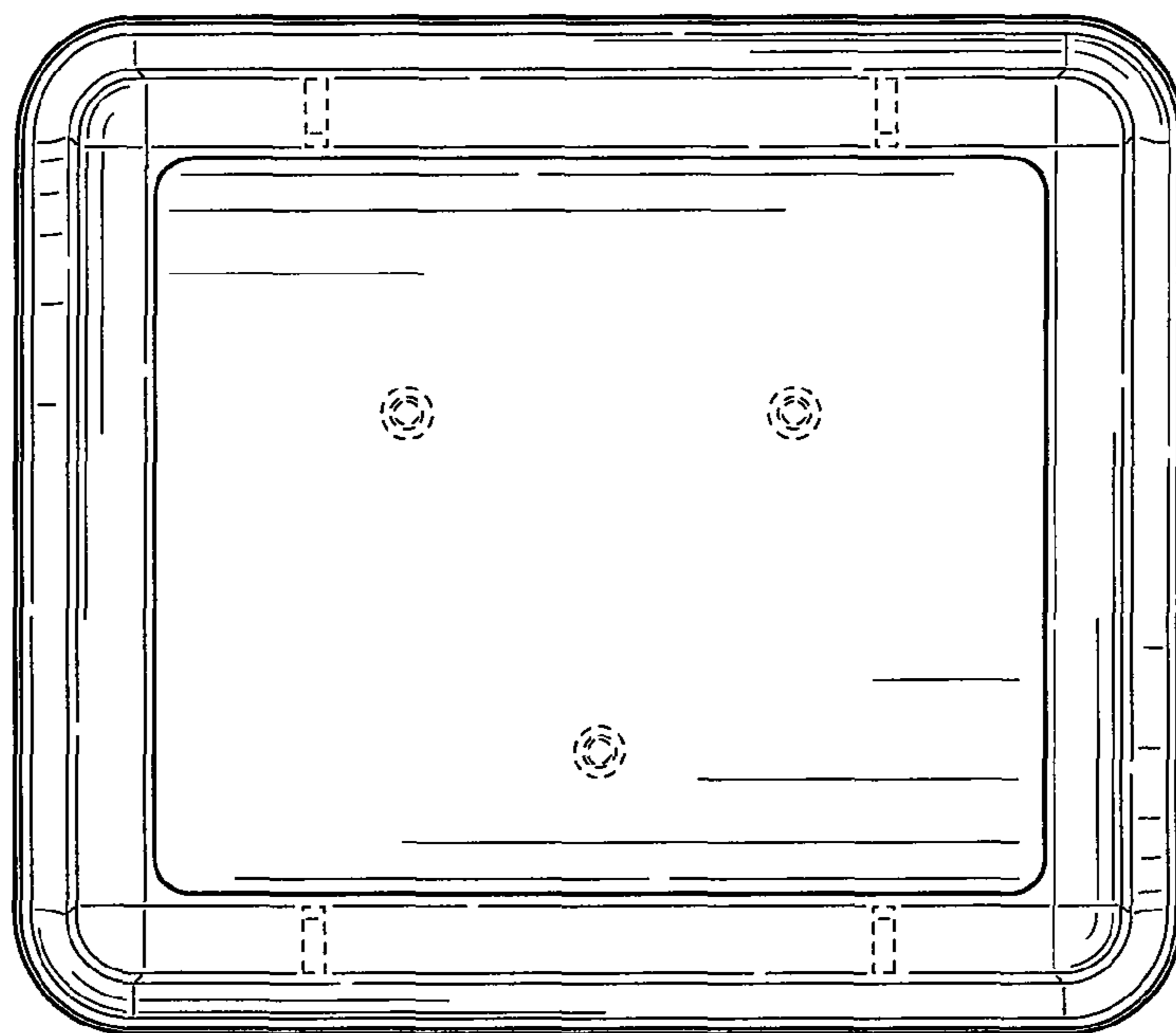


FIG. 7