



US00D683598S

(12) **United States Design Patent**
De Buyer et al.

(10) **Patent No.:** **US D683,598 S**
(45) **Date of Patent:** **** Jun. 4, 2013**

(54) **MOVABLE PLATFORM FOR A MANDOLIN SLICER**

(56) **References Cited**

(75) Inventors: **Julien De Buyer**, Barcelona (ES);
Jean-Noël Mathieu, Vagney (FR)

(73) Assignee: **De Buyer Industries**, Le Val d'Ajol (FR)

(**) Term: **14 Years**

(21) Appl. No.: **29/412,848**

(22) Filed: **Feb. 8, 2012**

(30) **Foreign Application Priority Data**

Aug. 22, 2011 (EM) DM/076 886

(51) **LOC (9) Cl.** **07-04**

(52) **U.S. Cl.**
USPC **D7/672**

(58) **Field of Classification Search**
USPC D7/672-678, 368, 372, 381, 382,
D7/384, 669, 693; 241/36, 37.5, 92, 93, 94,
241/95, 100, 101.1, 168, 169.1, 169,
273.1-273.4, 274, 283, 285.1, 285.2; 83/13,
83/167, 247, 356.2, 425.3, 431, 435.15, 437.7,
83/441.1, 648, 651.1, 856, 857, 932;
99/508-510, 537, 588; 30/114, 122, 278,
30/279.6, 280, 283, 286, 287, 304, 378; D8/20

See application file for complete search history.

U.S. PATENT DOCUMENTS

D326,388	S	*	5/1992	Boerner	D7/673
5,148,731	A	*	9/1992	Boerner	83/857
D535,162	S	*	1/2007	De Buyer	D7/673
D542,604	S	*	5/2007	Zirbes	D7/673
D596,467	S	*	7/2009	de Buyer	D7/693
D610,414	S	*	2/2010	Boerner	D7/673
D611,311	S	*	3/2010	Smith et al.	D7/673
D670,980	S	*	11/2012	De Buyer et al.	D7/673
2006/0081108	A1	*	4/2006	de Buyer	83/703
2008/0098866	A1	*	5/2008	DiPietro	83/440.2
2009/0178532	A1	*	7/2009	Dipietro	83/856
2010/0162869	A1	*	7/2010	Smith et al.	83/707

* cited by examiner

Primary Examiner — Ian Simmons
Assistant Examiner — Shannon Weekley
(74) *Attorney, Agent, or Firm* — Galgano & Associates, PLLC; Thomas M. Galgano; Jessica G. Bower

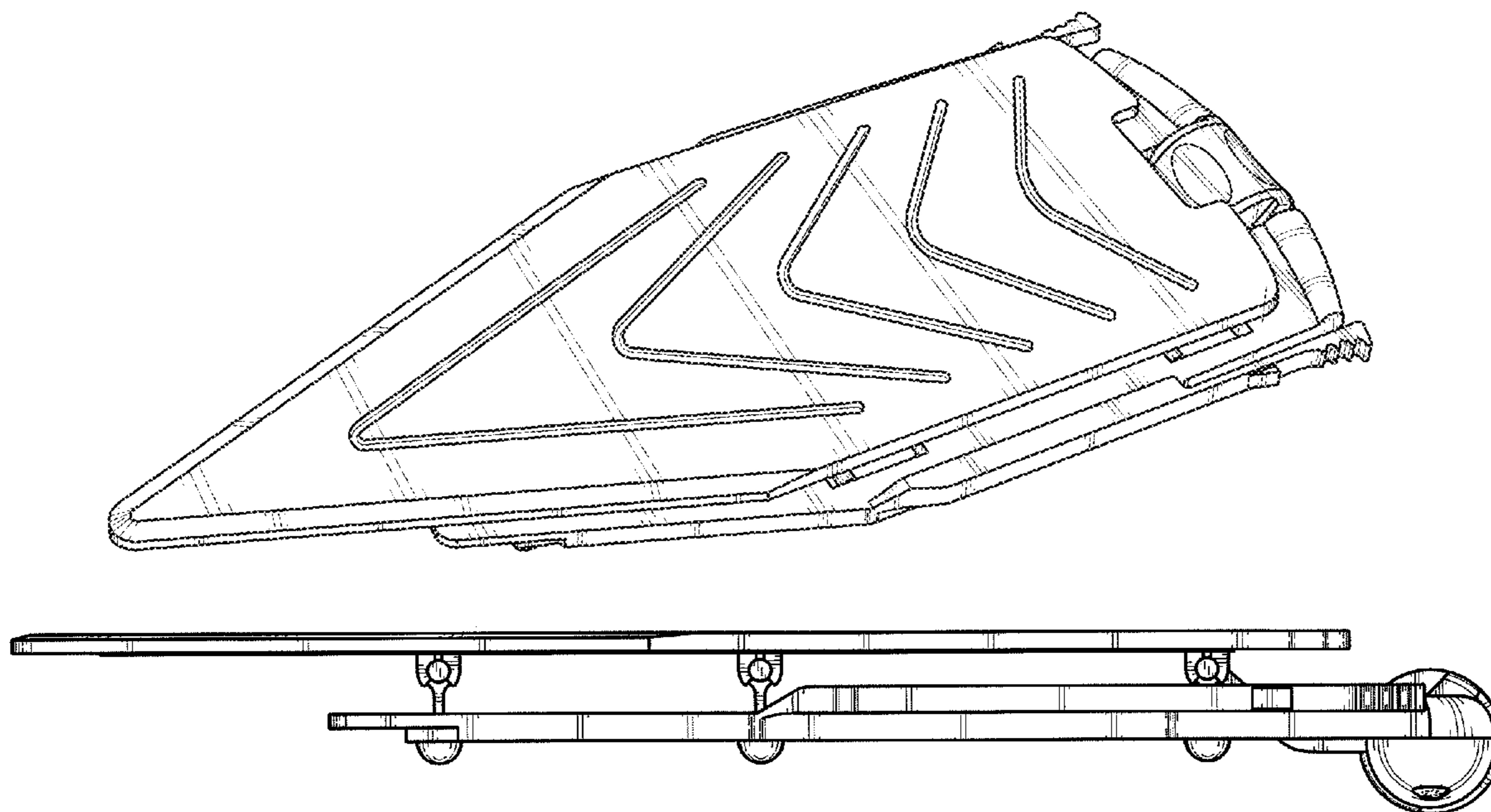
(57) **CLAIM**

The ornamental design for a movable platform for a mandolin slicer, as shown and described.

DESCRIPTION

FIG. 1 is a front, right side perspective view of a movable platform for a mandolin slicer, showing our new design; FIG. 2 is a right side elevational view thereof, the left side elevational view being a mirror image thereof; FIG. 3 is a front elevational view thereof; FIG. 4 is a rear elevational view thereof; FIG. 5 is a top plan view thereof; and, FIG. 6 is a bottom plan view thereof. The broken lines shown in FIG. 6 of the movable platform for a mandolin slicer is for the purpose of illustrating environment only, and forms no part of the claimed design.

1 Claim, 5 Drawing Sheets



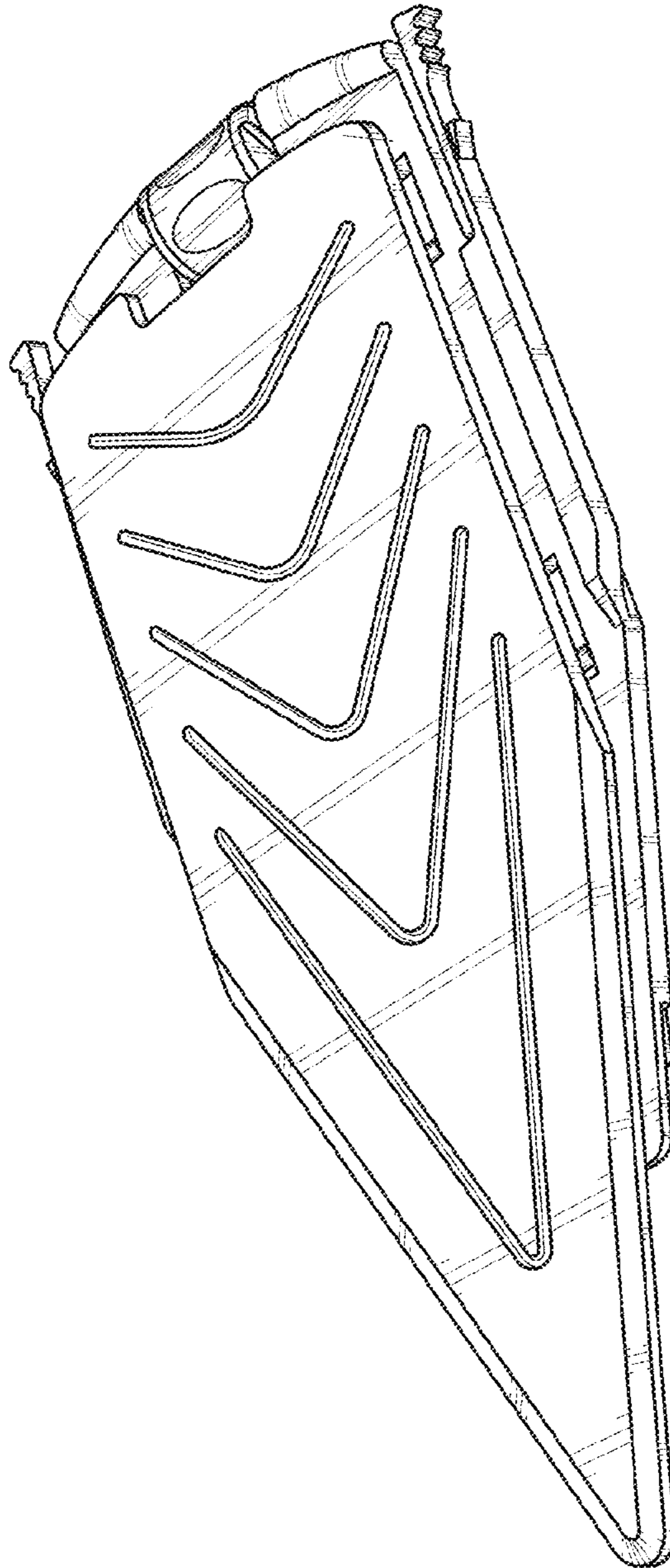


FIG. 1

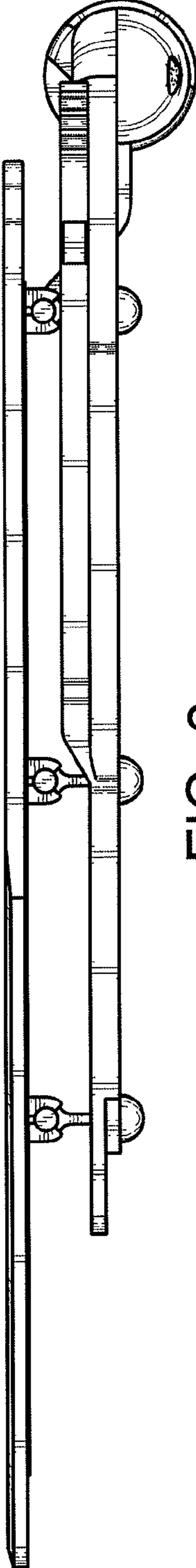


FIG. 2

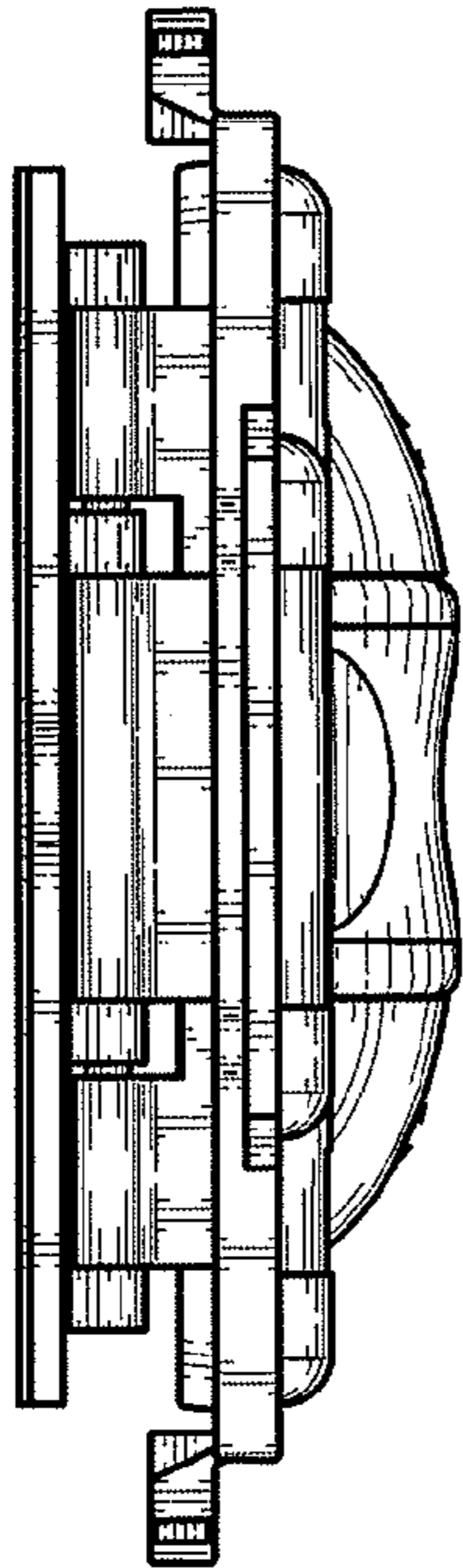


FIG. 3

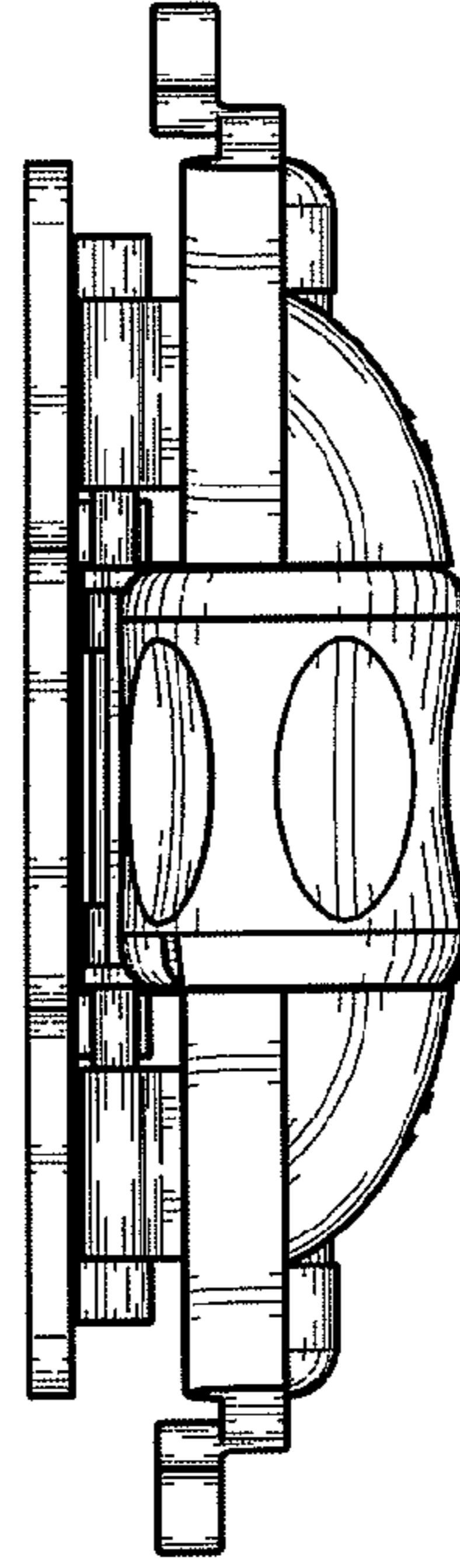


FIG. 4

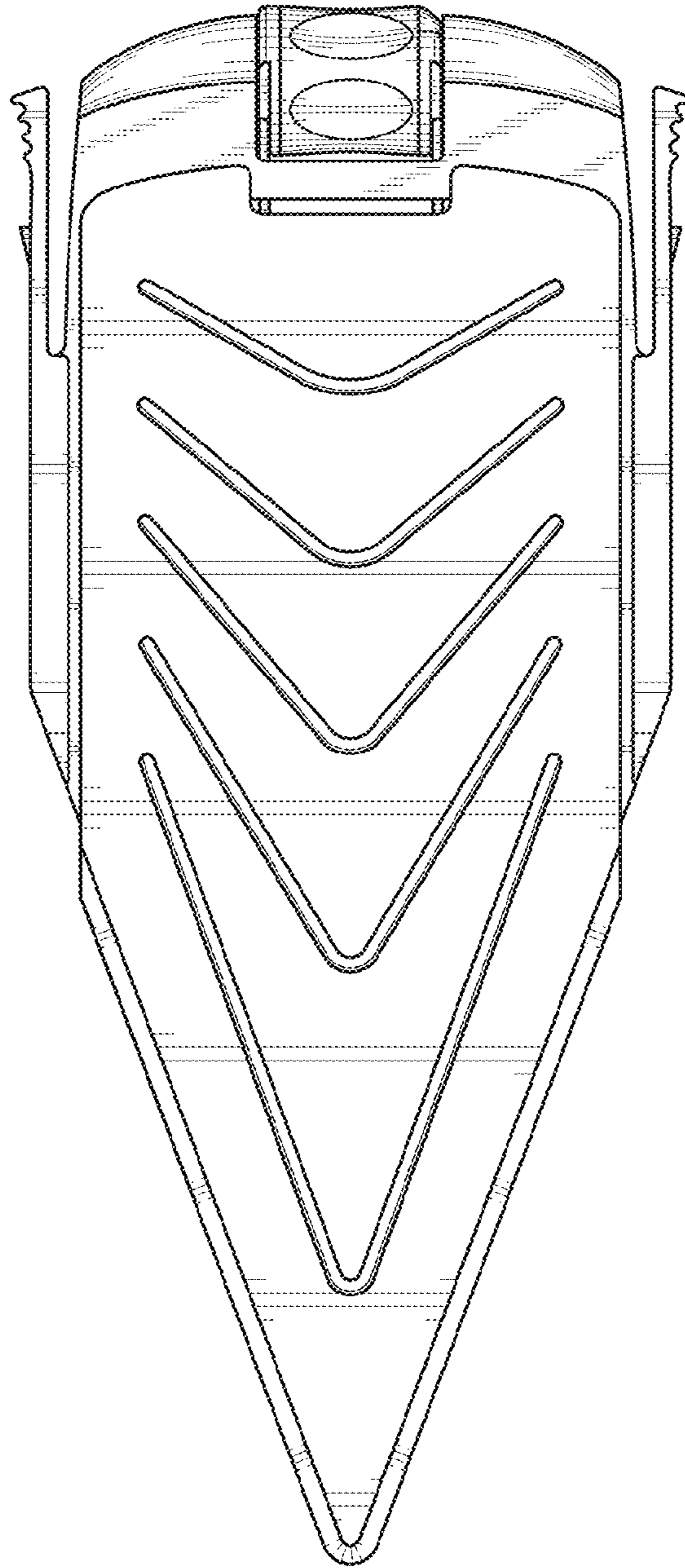


FIG. 5

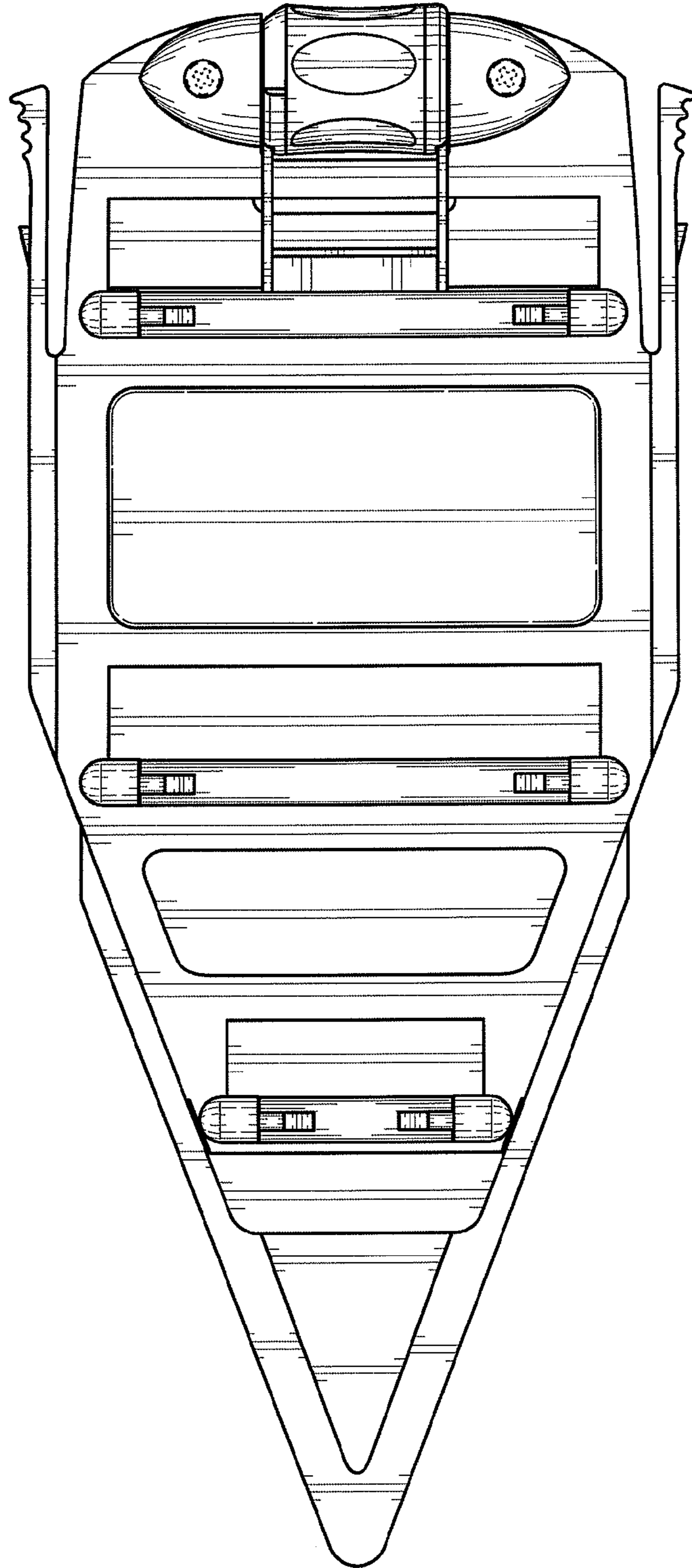


FIG. 6