



US00D683597S

(12) **United States Design Patent**
Dixon

(10) **Patent No.:** **US D683,597 S**
(45) **Date of Patent:** **** Jun. 4, 2013**

- (54) **CHOPSTICK-TYPE UTENSIL**
- (71) Applicant: **Rush Dixon**, Mount Pleasant, SC (US)
- (72) Inventor: **Rush Dixon**, Mount Pleasant, SC (US)
- (**) Term: **14 Years**
- (21) Appl. No.: **29/438,122**
- (22) Filed: **Nov. 26, 2012**
- (51) **LOC (9) Cl.** **07-03**
- (52) **U.S. Cl.**
USPC **D7/642**
- (58) **Field of Classification Search**
USPC D7/368, 393-395, 401.2, 642-646,
D7/649-654, 660-664, 669, 675-676, 683,
D7/686-696; D22/150; D28/55; D32/35;
30/120.1, 129, 137, 141-143, 147-150,
322-327, 329, 340, 342-344; 294/3, 16,
294/25, 99.2; 416/70 R, 75; 606/210
See application file for complete search history.

4,728,139	A *	3/1988	Oretti	294/99.2
4,750,771	A *	6/1988	Emmett et al.	294/99.2
4,852,929	A *	8/1989	Shafir	294/99.2
D309,507	S *	7/1990	Shafir	D28/55
6,276,734	B1 *	8/2001	Krieger	294/99.2
D463,220	S *	9/2002	Yun	D7/642
D473,111	S *	4/2003	Kortleven et al.	D7/686
6,568,728	B1 *	5/2003	Wang	294/16
6,916,054	B1 *	7/2005	Baldesberger	294/99.2
D539,615	S *	4/2007	Weaver	D7/643
D545,635	S *	7/2007	Dorfman	D7/642
D592,917	S *	5/2009	Jalet et al.	D7/686
D602,750	S *	10/2009	Holcomb et al.	D7/693
7,628,432	B2 *	12/2009	Flather	294/3
D648,601	S *	11/2011	Baldesberger	D7/642
2008/0036226	A1 *	2/2008	Yoon	294/3

* cited by examiner

Primary Examiner — Ricky Pham
(74) *Attorney, Agent, or Firm* — QuickPatents; Kevin Prince

(57) **CLAIM**
I claim the ornamental design for a chopstick-type utensil, as shown and described.

(56) **References Cited**

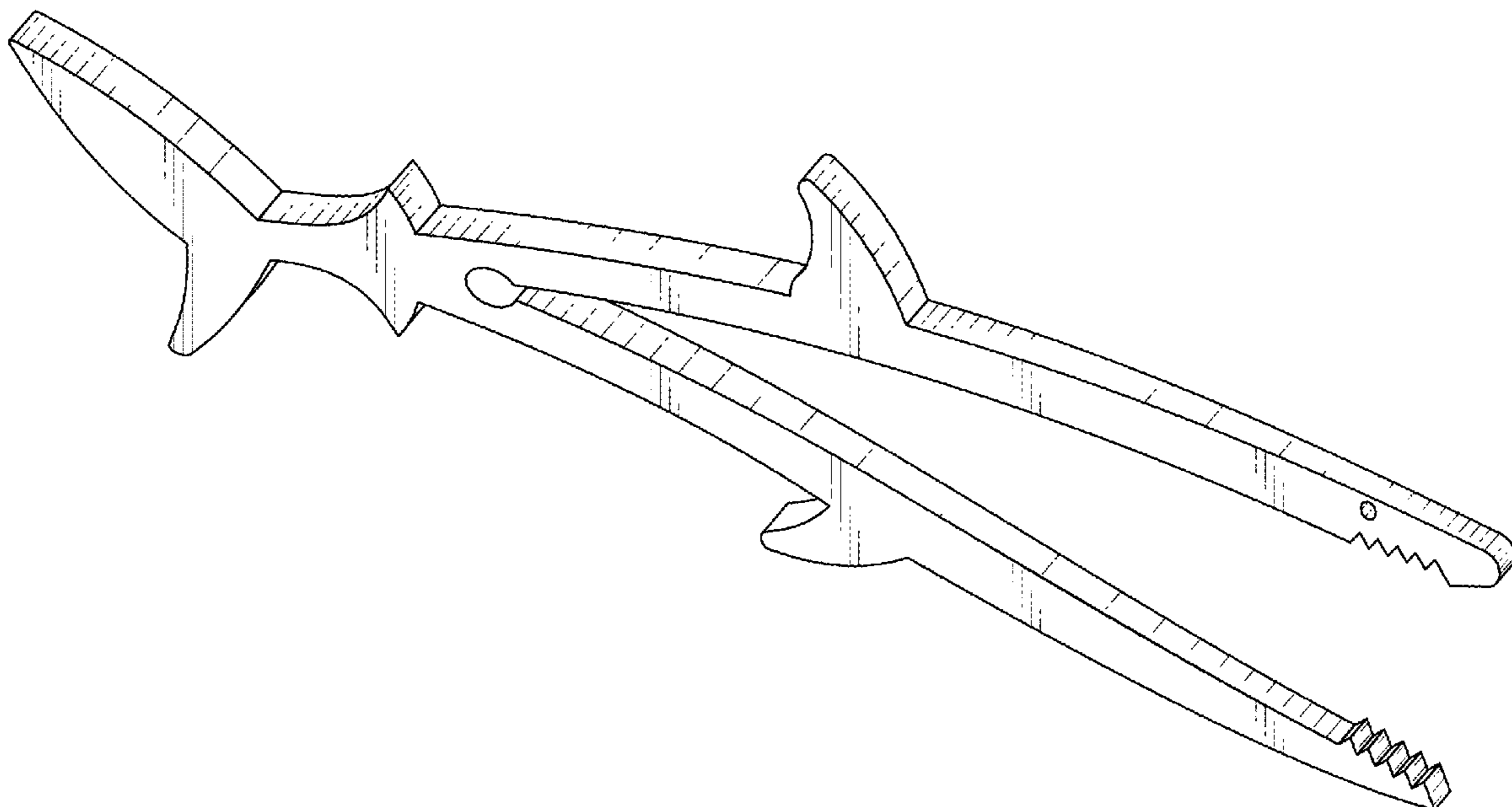
U.S. PATENT DOCUMENTS

1,889,475	A *	11/1932	Henkel	294/99.2
D141,909	S *	7/1945	Tamblyn	D32/35
D189,488	S *	12/1960	Page	D7/686
3,140,715	A *	7/1964	Whitton, Jr. et al.	606/210
3,259,415	A *	7/1966	Howard	294/99.2
D212,067	S *	8/1968	Pearce	D28/55
D215,468	S *	10/1969	Callahan	D7/686
D232,634	S *	9/1974	May	D22/150
3,889,995	A *	6/1975	Lin	294/99.2
4,261,608	A *	4/1981	Bradshaw	294/25

DESCRIPTION

FIG. 1 is a perspective view of a chopstick-type utensil showing my new design;
FIG. 2 is a front elevational view of FIG. 1;
FIG. 3 is a rear elevational view of FIG. 1;
FIG. 4 is a right-side elevational view of FIG. 1, the left-side elevational view being a mirror image thereof;
FIG. 5 is a top plan view of FIG. 1; and,
FIG. 6 is a bottom plan view of FIG. 1.

1 Claim, 3 Drawing Sheets



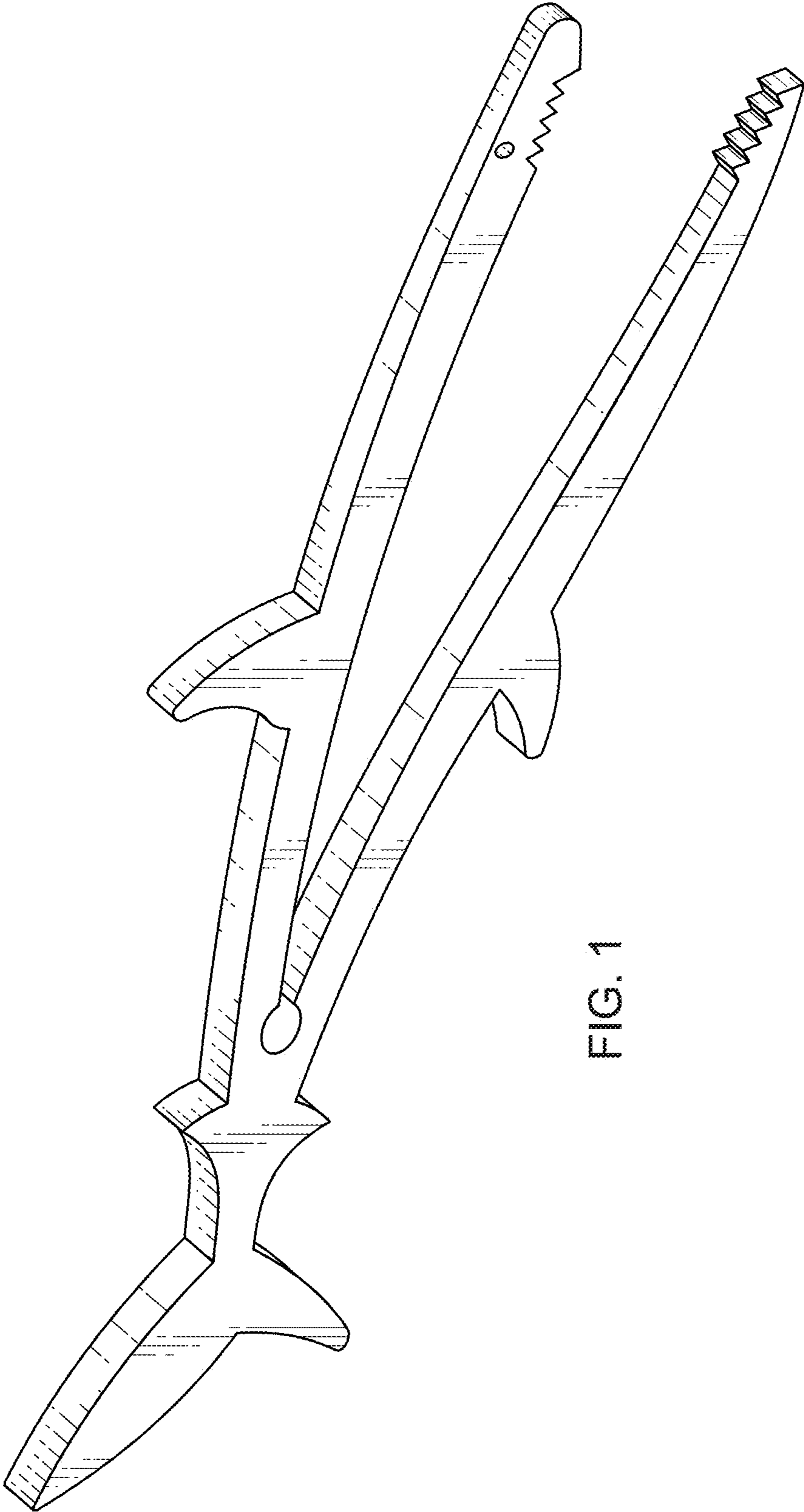


FIG. 1

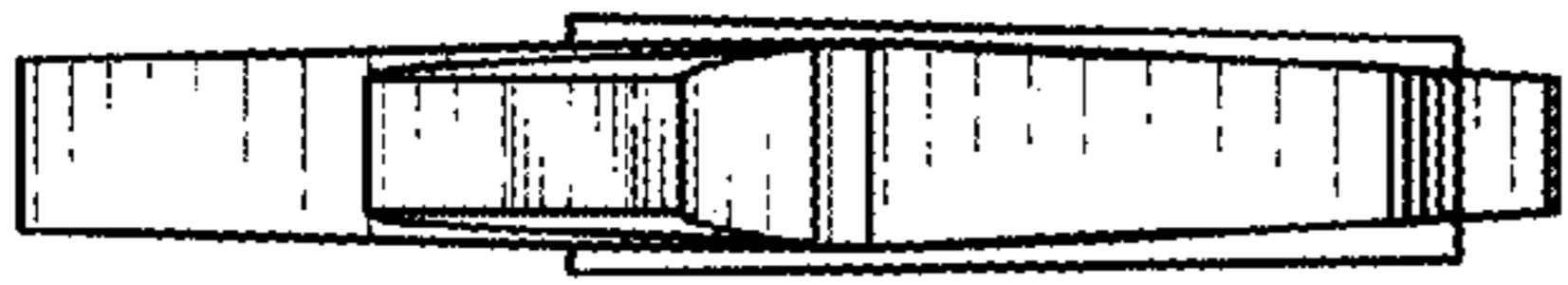


FIG. 2

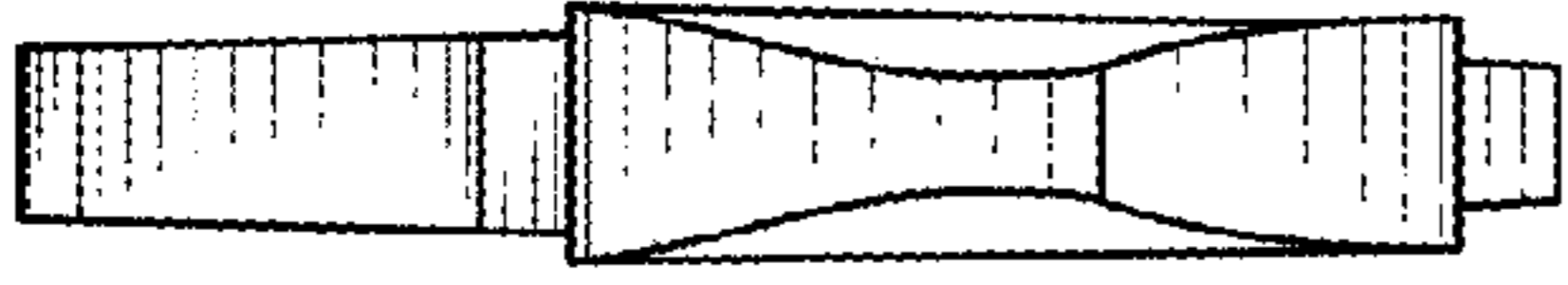


FIG. 3

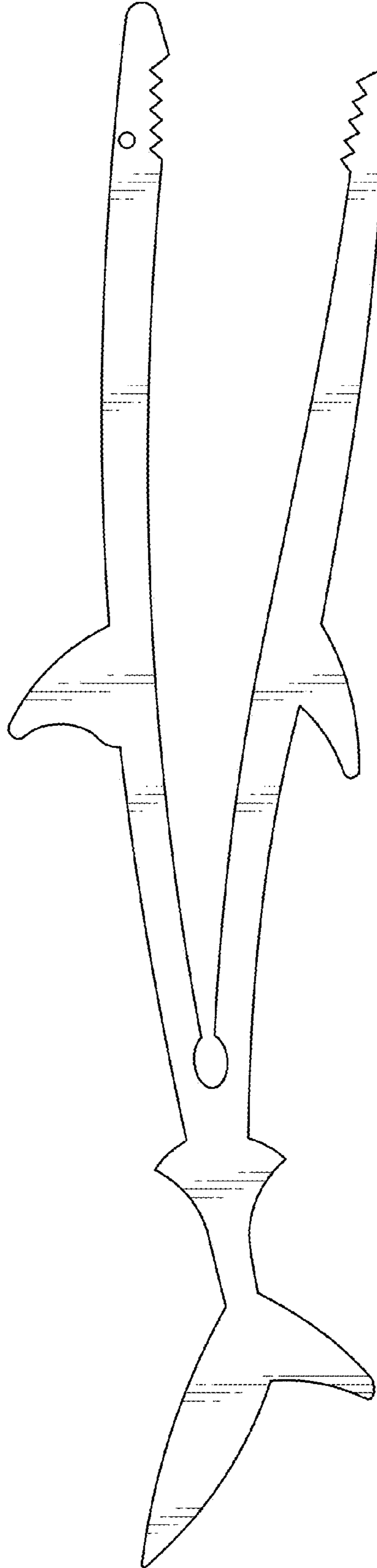


FIG. 4



FIG. 5



FIG. 6