



US00D683596S

(12) **United States Design Patent**
Ellerstorfer

(10) **Patent No.:** **US D683,596 S**
(45) **Date of Patent:** **** Jun. 4, 2013**

(54) **FOOD STORAGE BOX**

(75) Inventor: **Thomas Ellerstorfer**, Cham (DE)

(73) Assignee: **Fackelmann GmbH + Co KG**,
Hersbruck (DE)

(**) Term: **14 Years**

(21) Appl. No.: **29/428,151**

(22) Filed: **Jul. 26, 2012**

(30) **Foreign Application Priority Data**

Feb. 6, 2012 (EM) 001 987 066

(51) **LOC (9) Cl.** **07-07**

(52) **U.S. Cl.**
USPC **D7/629**

(58) **Field of Classification Search**
USPC . D7/601, 602, 628, 629, 630; 220/4.21-4.23,
220/810, 811, 847, 845, 754, 521, 780-806;
99/426; 206/524.1, 525, 457, 499, 493, 4.23,
206/521.1, 560-565

See application file for complete search history.

(56) **References Cited**

U.S. PATENT DOCUMENTS

D390,104 S *	2/1998	Owen	D9/644
D550,516 S *	9/2007	Tsai	D7/629
D577,261 S *	9/2008	Wang	D7/629
D589,305 S *	3/2009	Morales	D7/629
D589,306 S *	3/2009	Seehoff et al.	D7/629
D609,978 S *	2/2010	Davidson	D7/629

* cited by examiner

Primary Examiner — Terry Wallace

(74) *Attorney, Agent, or Firm* — McGlew and Tuttle, P.C.

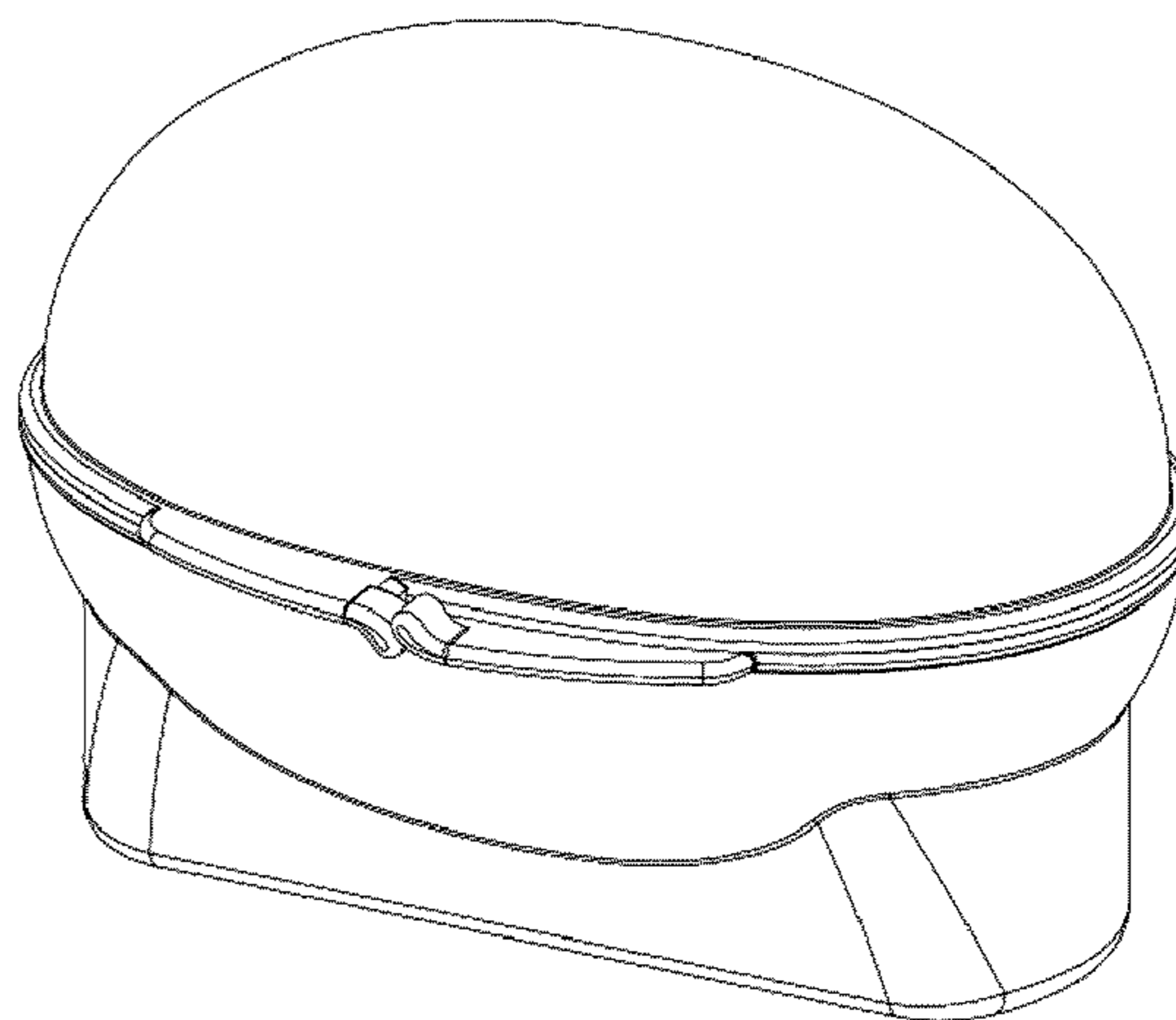
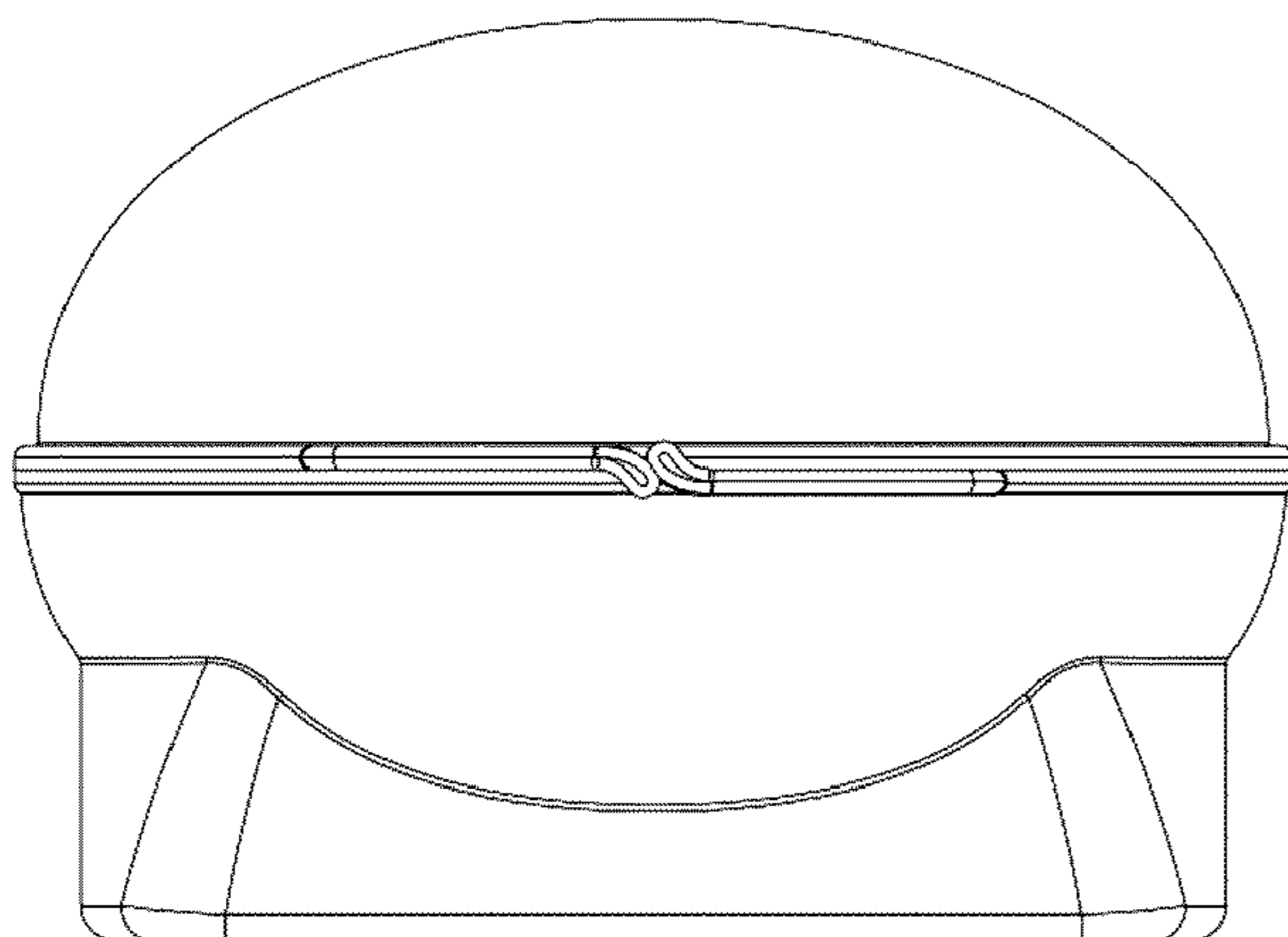
(57) **CLAIM**

The ornamental design for a food storage box, as shown and described.

DESCRIPTION

FIG. 1 is a front view of a food storage box, showing my new design;
FIG. 2 is a rear view thereof;
FIG. 3 is a top view thereof;
FIG. 4 is a bottom view thereof;
FIG. 5 is a lateral view (right side) thereof;
FIG. 6 is a lateral view (left side) thereof; and,
FIG. 7 is a perspective view thereof.

1 Claim, 3 Drawing Sheets



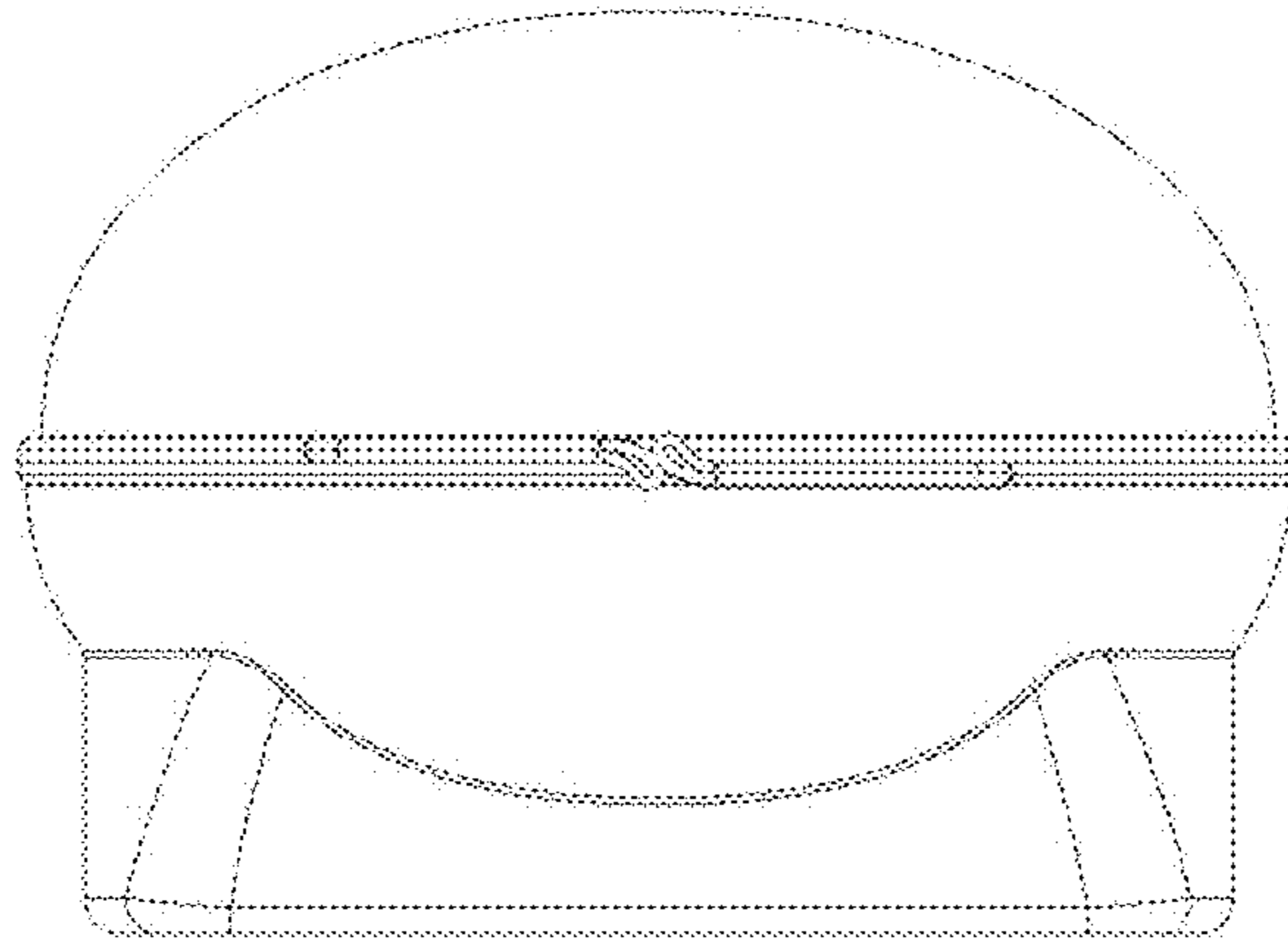


FIG. 1

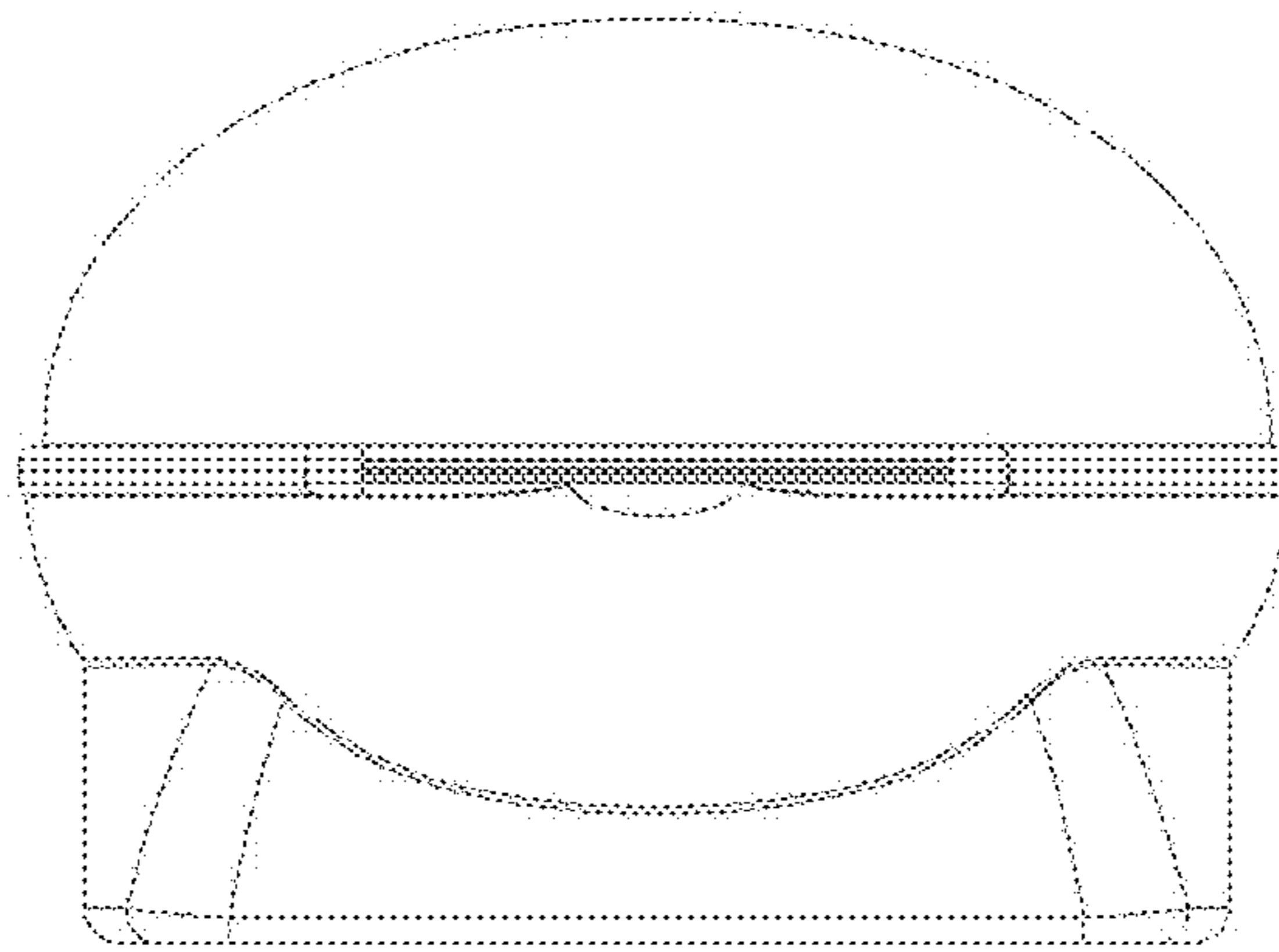


FIG. 2

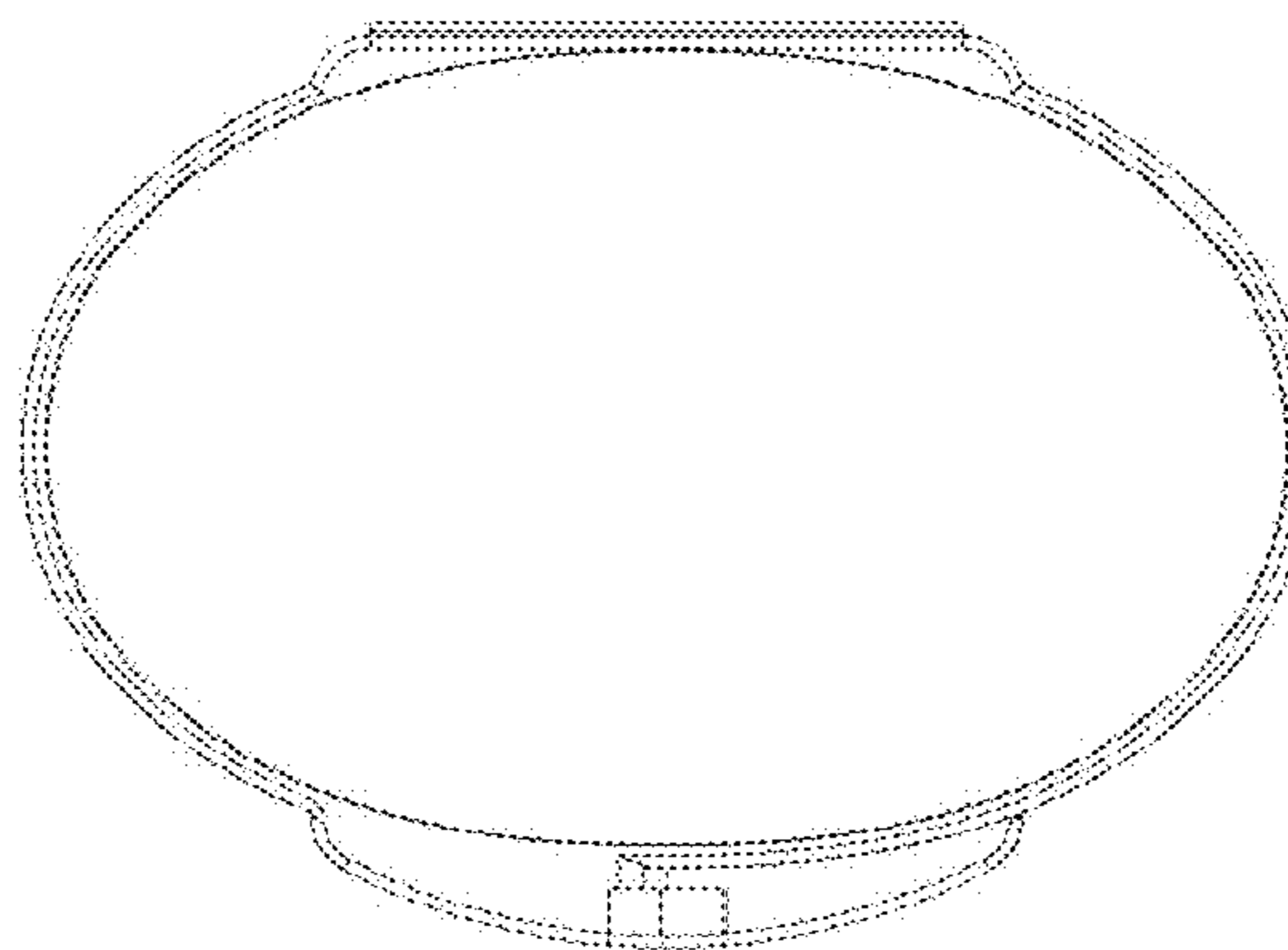


FIG. 3

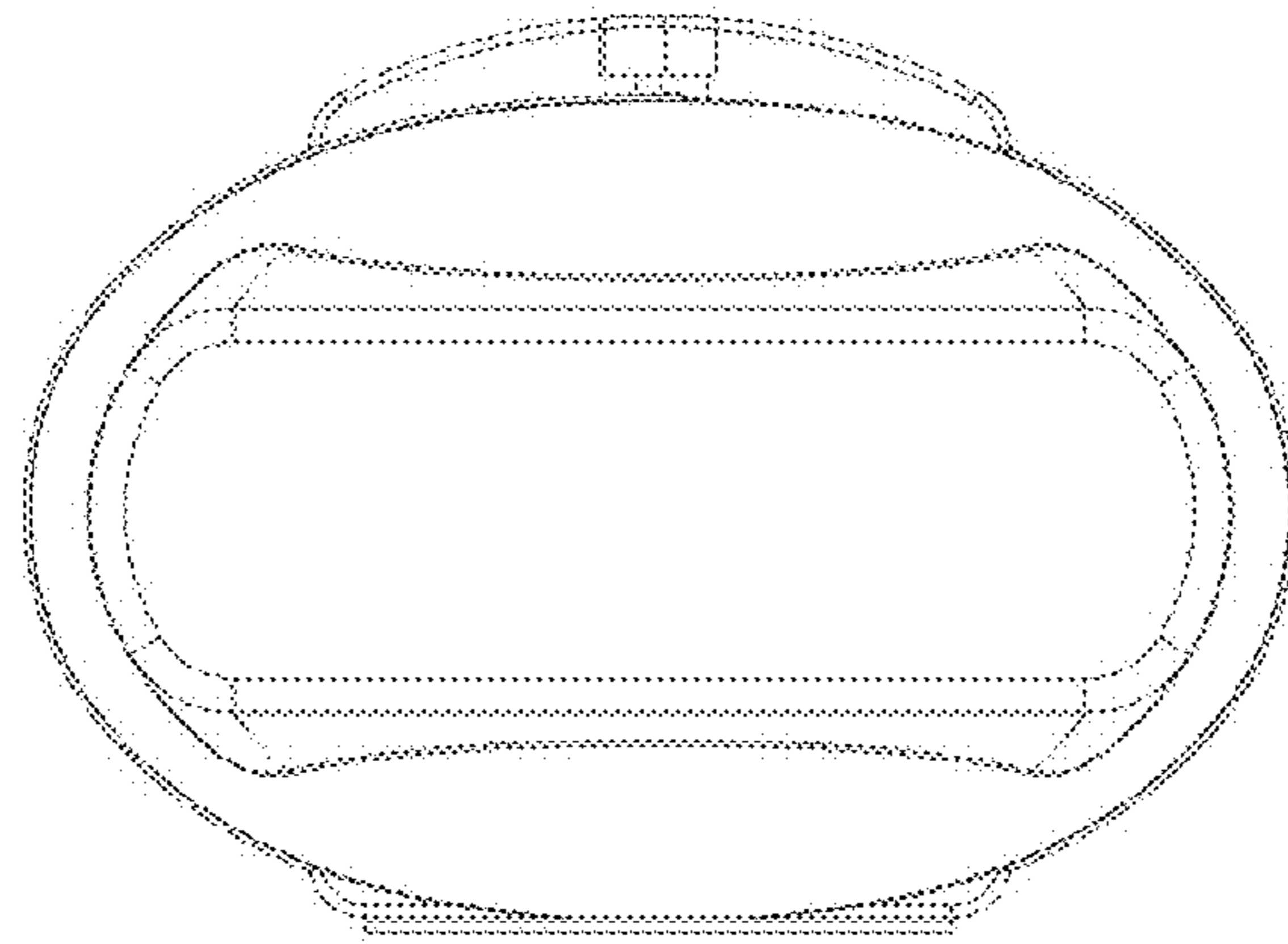


FIG. 4

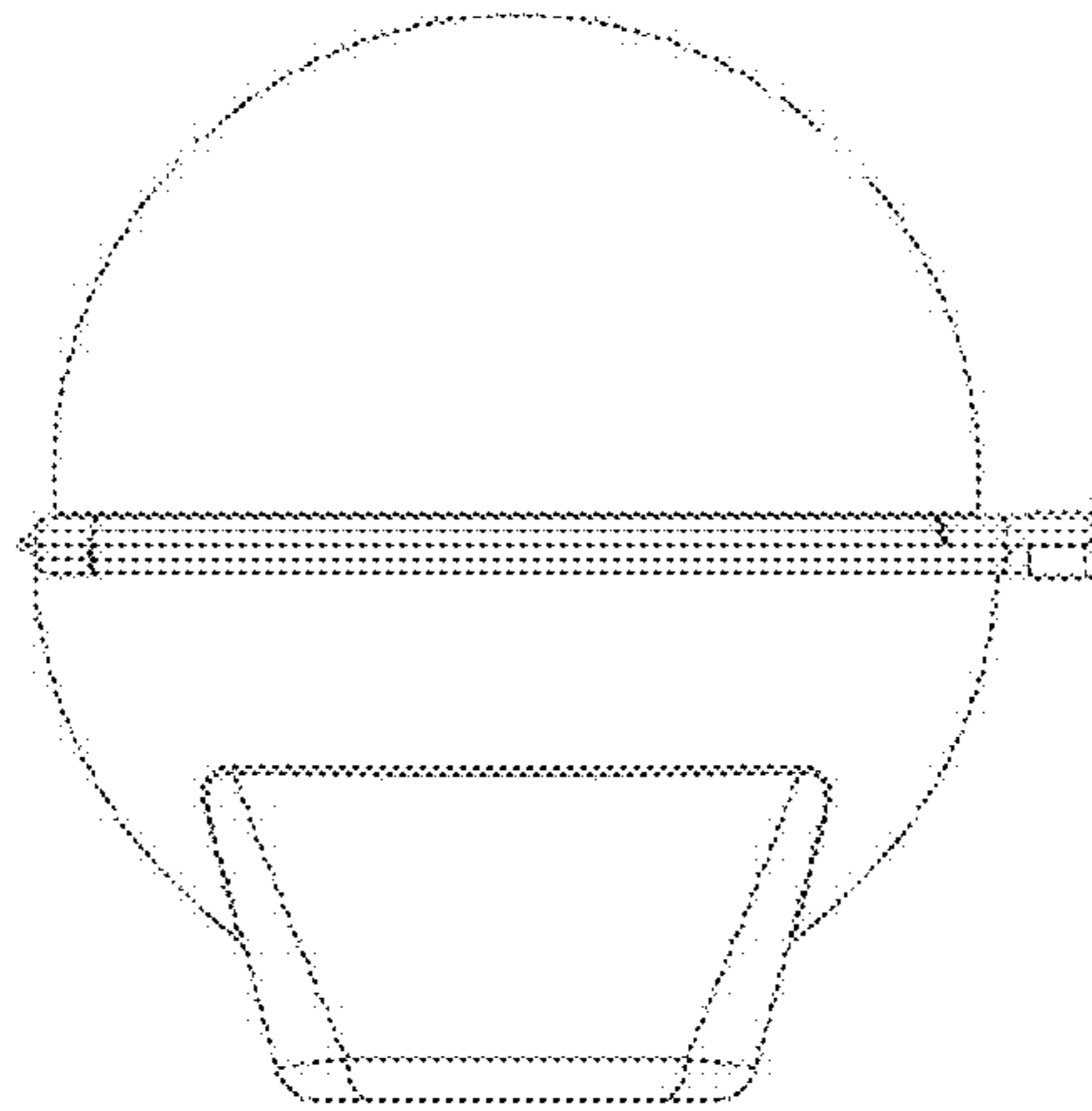


FIG. 5

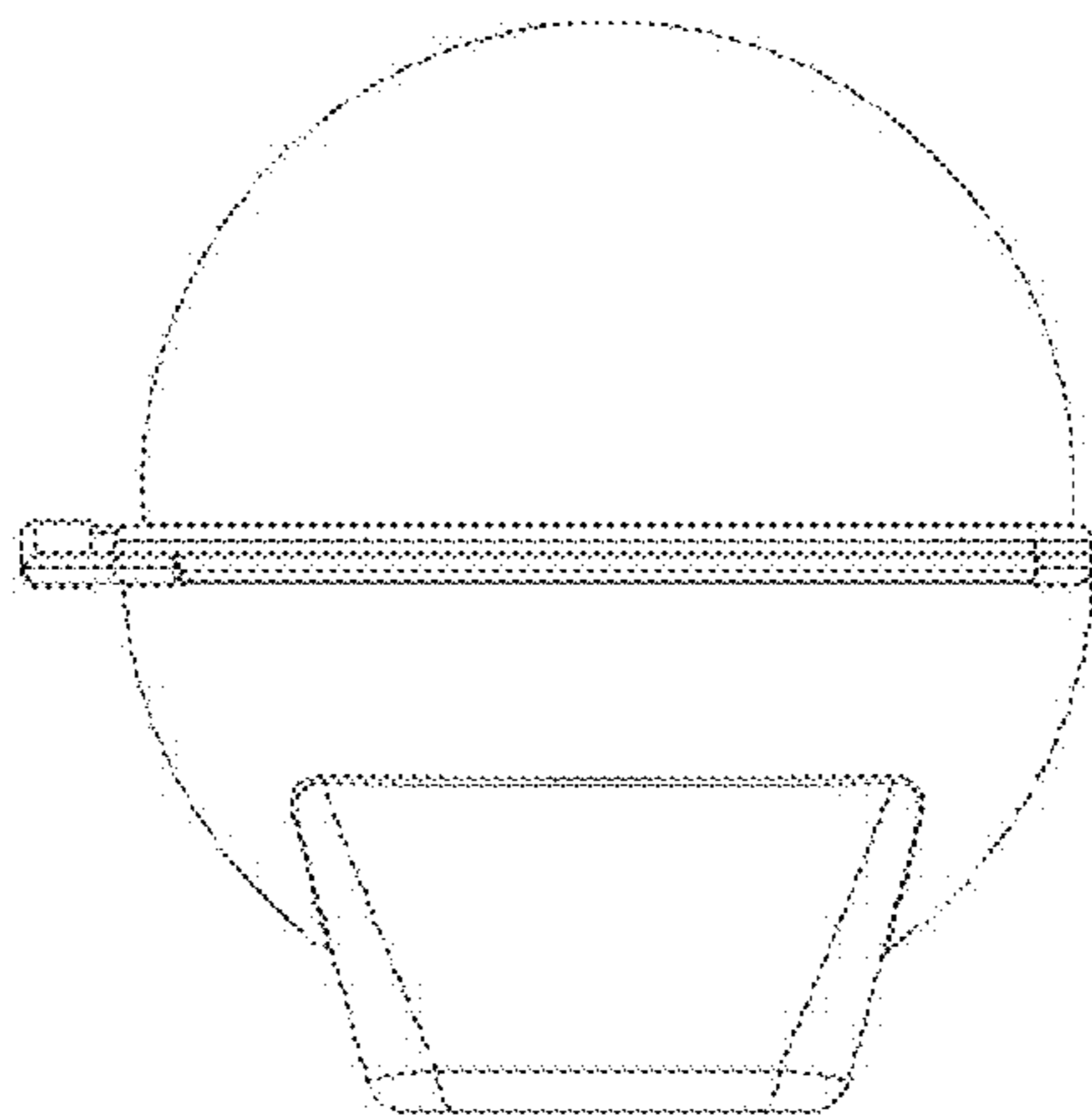


FIG. 6

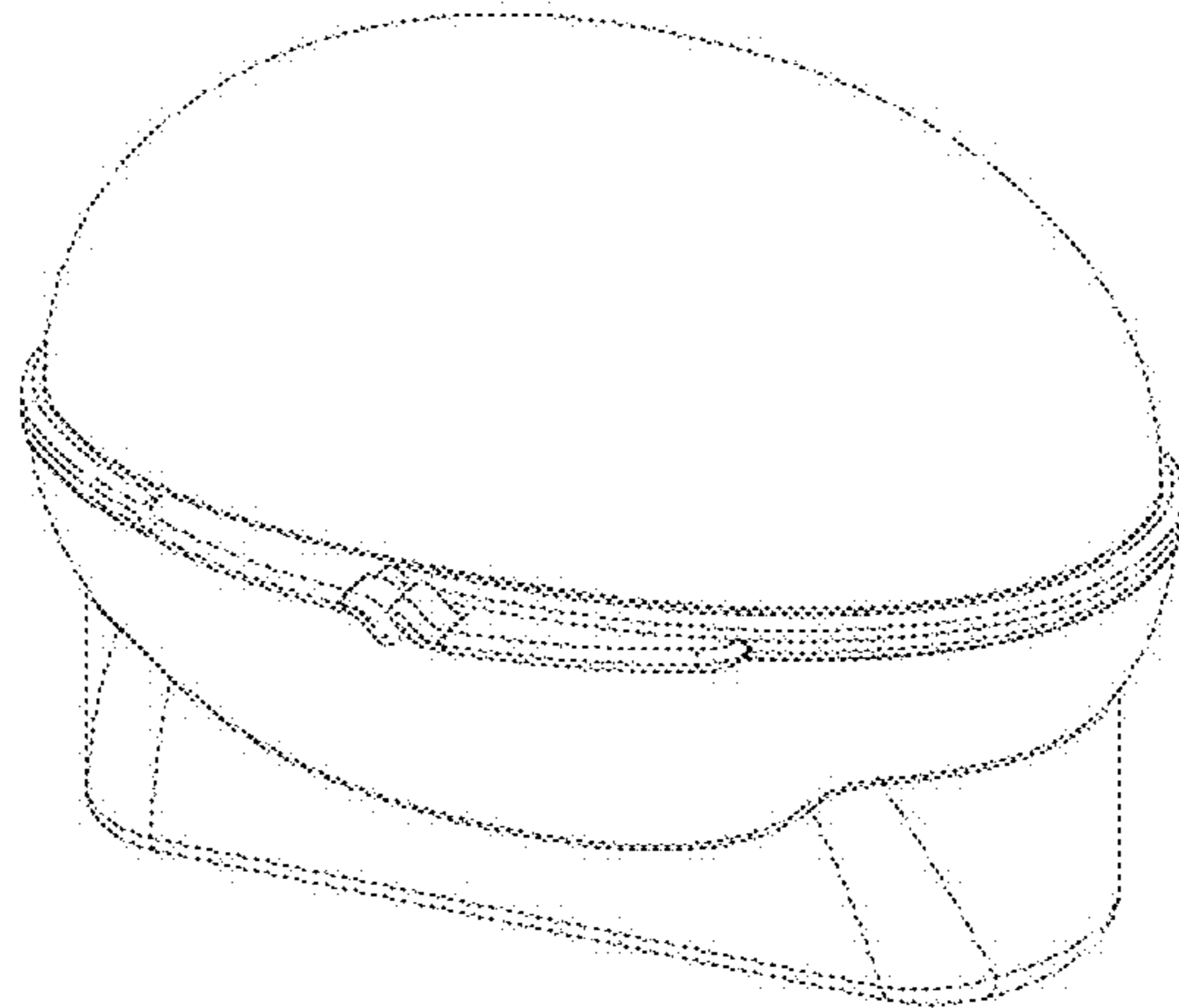


FIG. 7