



US00D683591S

(12) **United States Design Patent**
Cahen

(10) **Patent No.:** **US D683,591 S**
(45) **Date of Patent:** **** Jun. 4, 2013**

(54) **CUP**
(75) Inventor: **Antoine Cahen**, Lausanne (CH)
(73) Assignee: **Societe des Produits Nestle S.A.**, Vevey (CH)
(**) Term: **14 Years**
(21) Appl. No.: **29/397,723**
(22) Filed: **Jul. 20, 2011**
(51) **LOC (9) Cl.** **07-01**
(52) **U.S. Cl.**
USPC **D7/536; D7/533**
(58) **Field of Classification Search**
USPC D7/536, 533, 300, 510, 523, 507,
D7/511, 509, 300.1, 500; 206/217, 515, 520,
206/606; 220/703, 710.5, 718; 229/400, 402
See application file for complete search history.

able from Internet, <URL:http://www.amazon.com/Nespresso-D120-US-BK-NE-Automatic-Single-Serve-Limousine/dp/B002NGNHBS/ref=cm_cr_pr_product_top>.*
The Nespresso Glass Lungo Cup, posted May 10, 2012, [online], [site visited Jan. 3, 2013]. Available from Internet, <URL:http://lungocup.com/category/glass/>.*
Nespresso Cup, photo taken Jan. 20, 2009, [online], [site visited Jan. 4, 2013]. Available from Internet, URL: http://www.flickr.com/photos/mu3taz/3237854509/>.*

* cited by examiner

Primary Examiner — Robert M Spear
Assistant Examiner — Janice Hallmark
(74) *Attorney, Agent, or Firm* — K&L Gates LLP

(56) **References Cited**

U.S. PATENT DOCUMENTS

D482,239 S *	11/2003	Bodum	D7/536
D488,028 S *	4/2004	Janky et al.	D7/536
D522,312 S *	6/2006	Bodum	D7/536
D557,075 S *	12/2007	Lucaci et al.	D7/536
D557,563 S *	12/2007	Bodum	D7/536
D557,564 S *	12/2007	Bodum	D7/536
D561,536 S *	2/2008	Virgilio	D7/536
D567,590 S *	4/2008	Bodum	D7/536
D569,192 S *	5/2008	Bodum	D7/536
D597,377 S *	8/2009	Poindexter et al.	D7/536
D597,378 S *	8/2009	Poindexter et al.	D7/536

OTHER PUBLICATIONS

Nespresso CitiZ Automatic Espresso Maker and Milk Frother, reviewed Dec. 5, 2009, [online], [site visited Sep. 24, 2012]. Avail-

(57) **CLAIM**
The ornamental design for a cup, as shown and described.

DESCRIPTION

FIG. 1 illustrates a top perspective view of the cup showing my new design;
FIG. 2 illustrates a bottom perspective view thereof;
FIG. 3 illustrates a front elevation view thereof;
FIG. 4 illustrates a rear elevation view thereof;
FIG. 5 illustrates a left side elevation view thereof;
FIG. 6 illustrates a right side elevation view thereof;
FIG. 7 illustrates a top view thereof; and,
FIG. 8 illustrates a bottom view thereof.
The broken lines in the drawings illustrate the portions of the design that form no part of the claim.

1 Claim, 5 Drawing Sheets

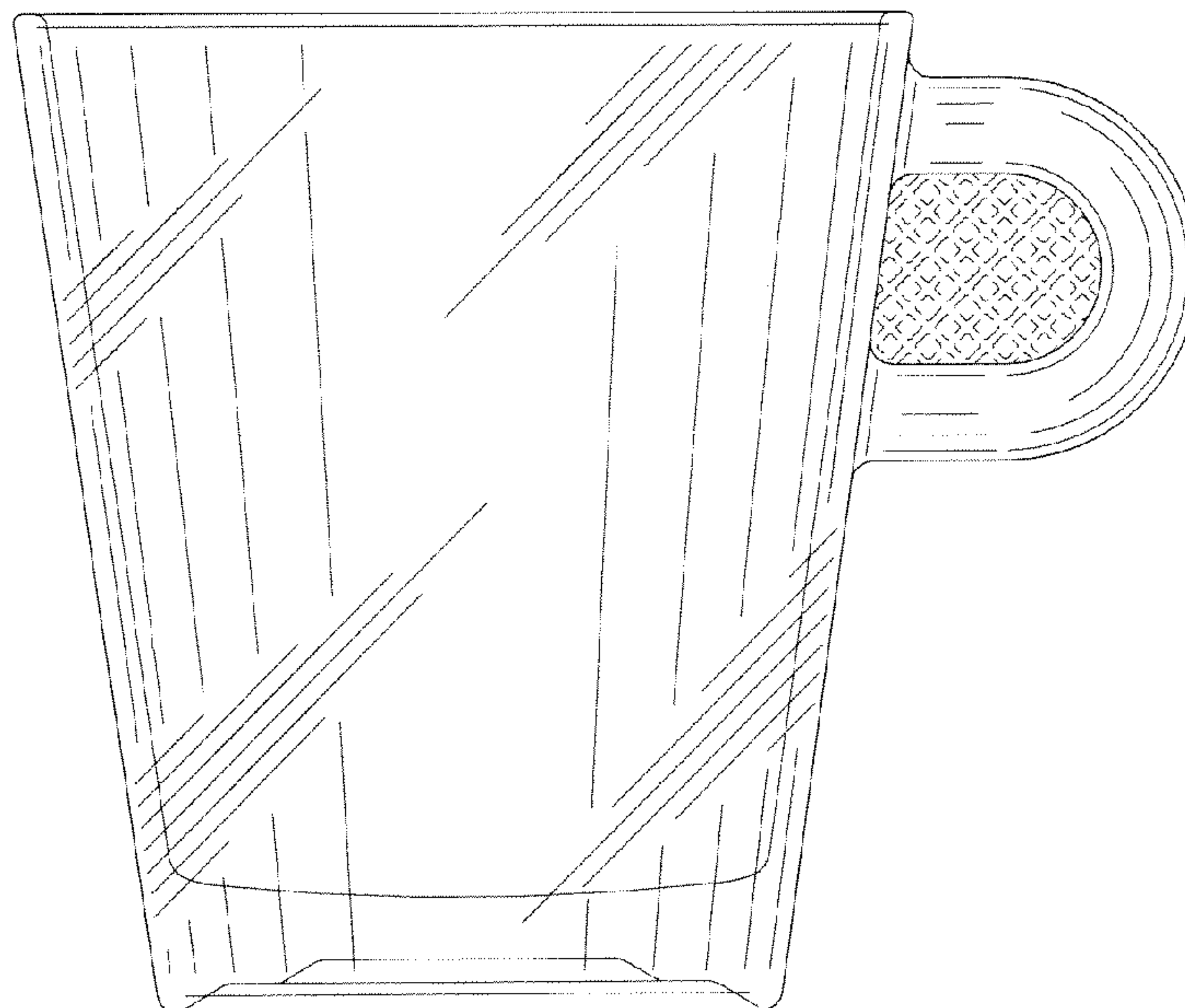


FIG. 1

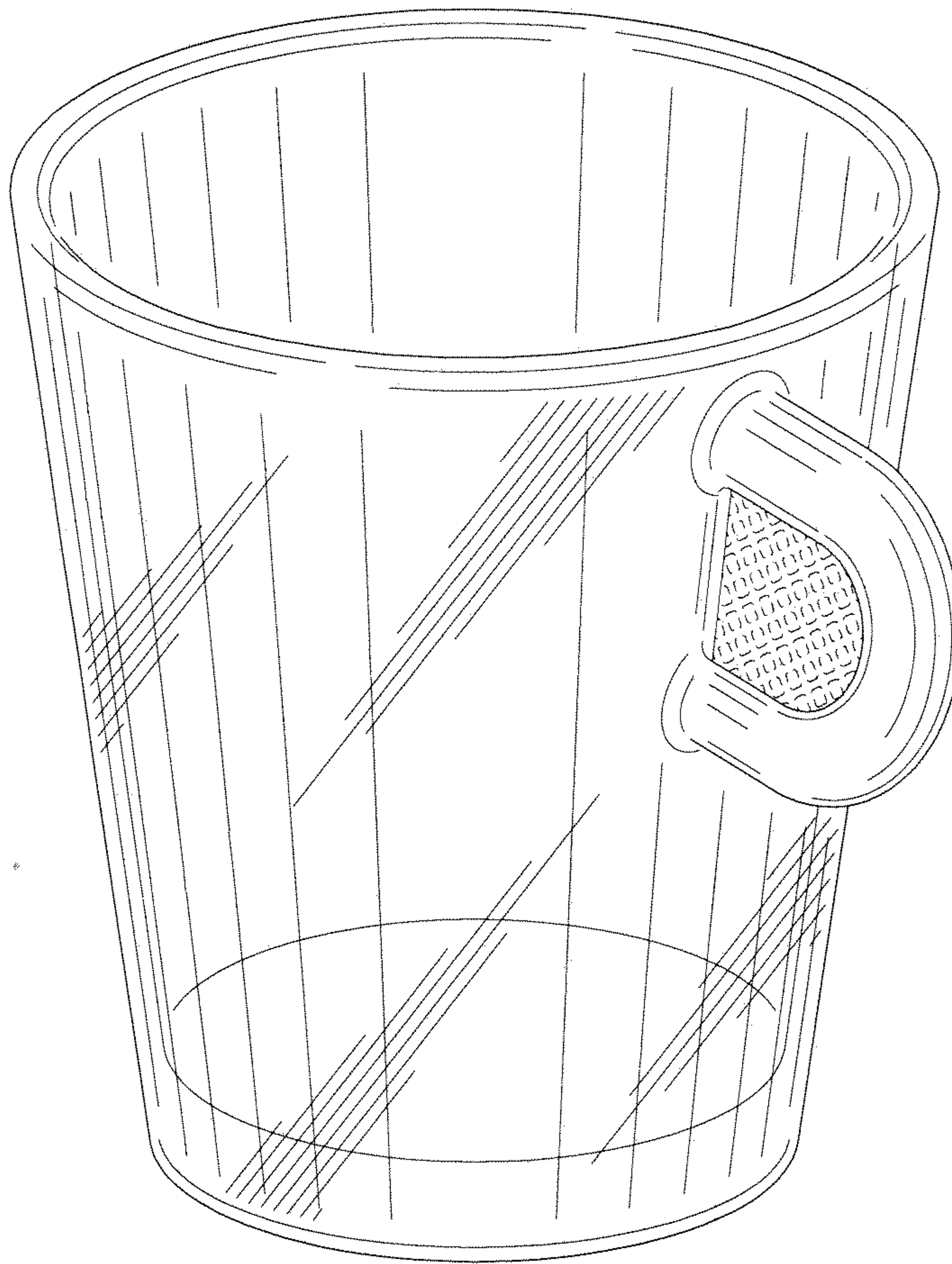


FIG. 2

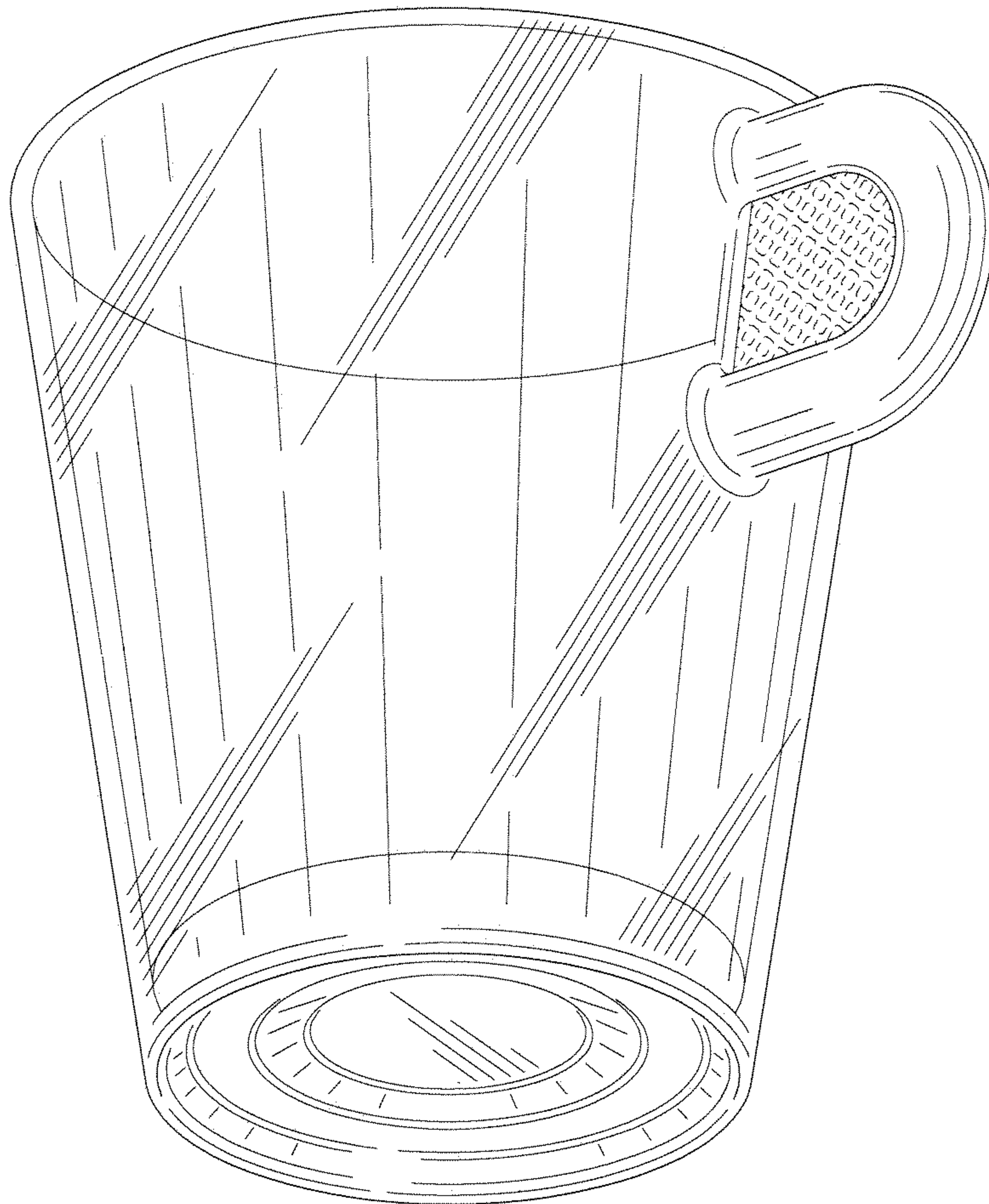


FIG. 3

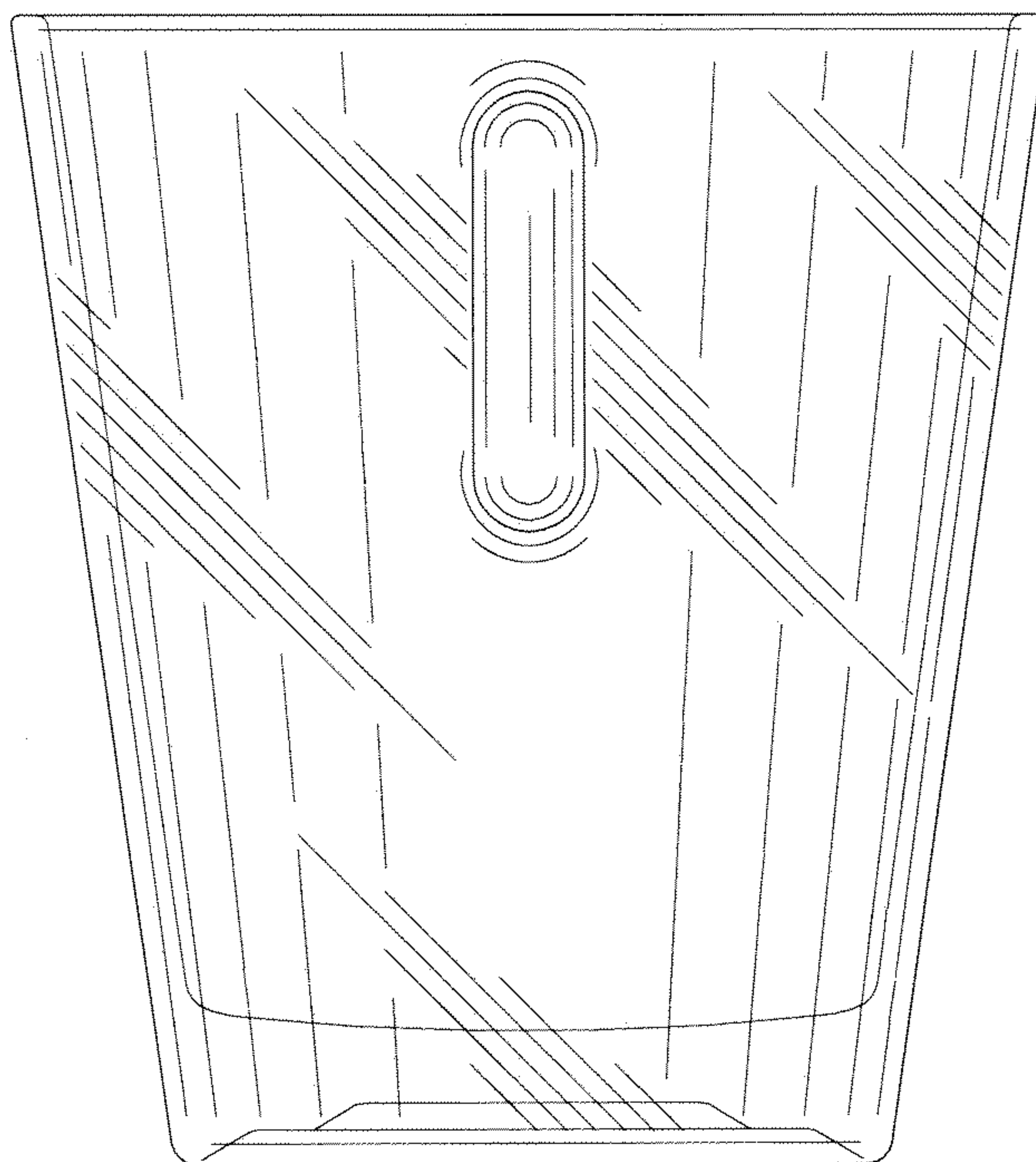


FIG. 4

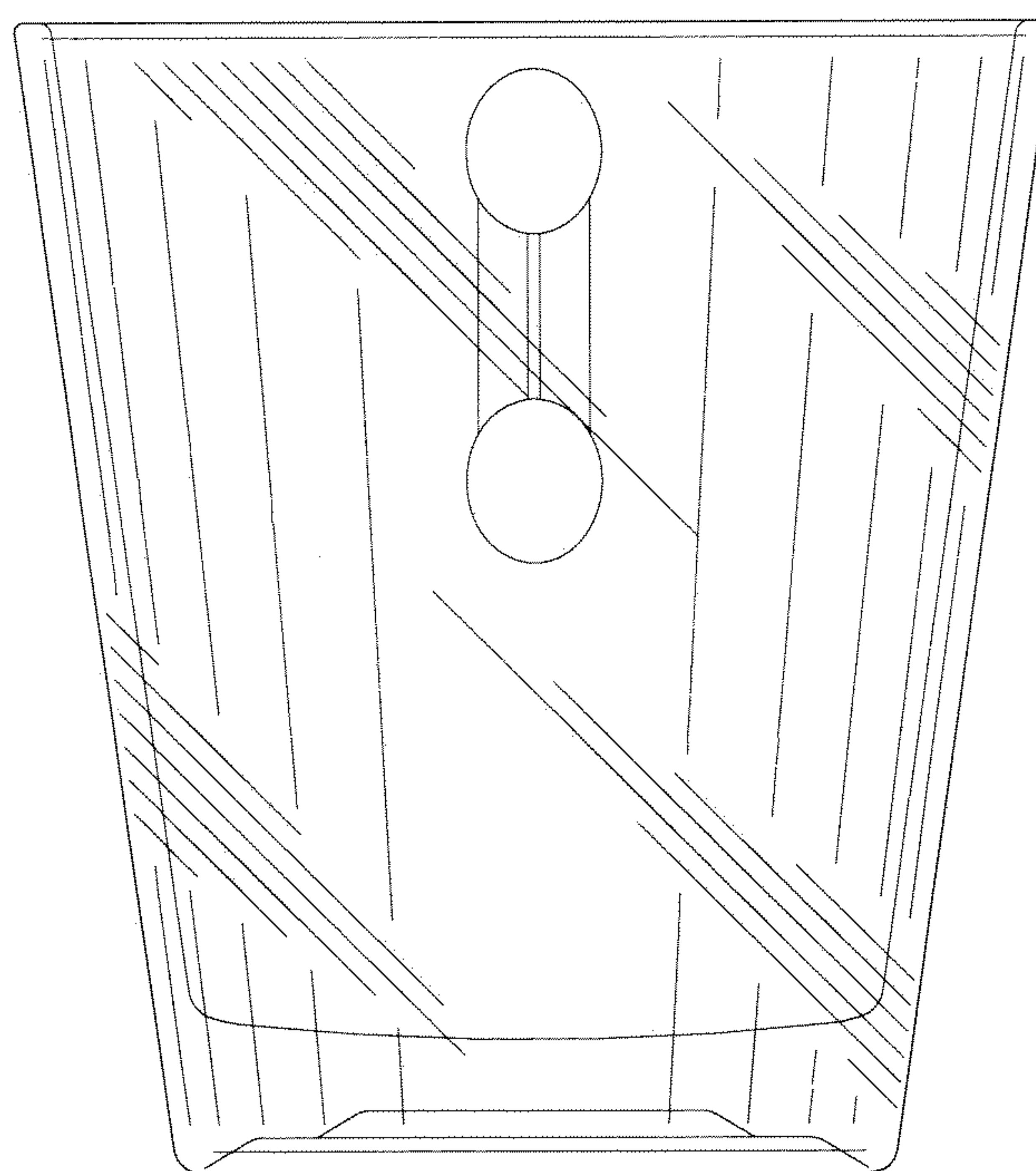


FIG. 5

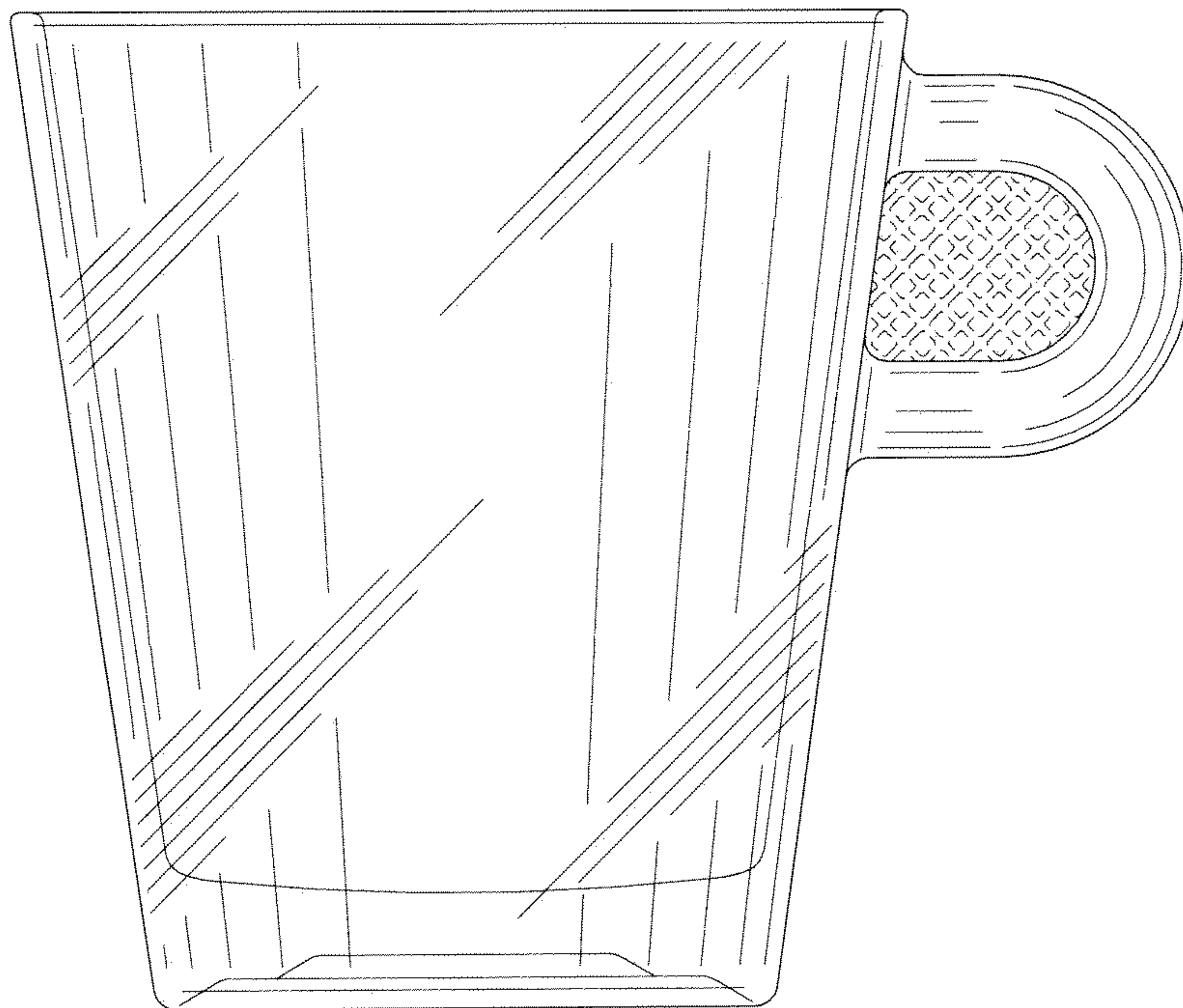


FIG. 6

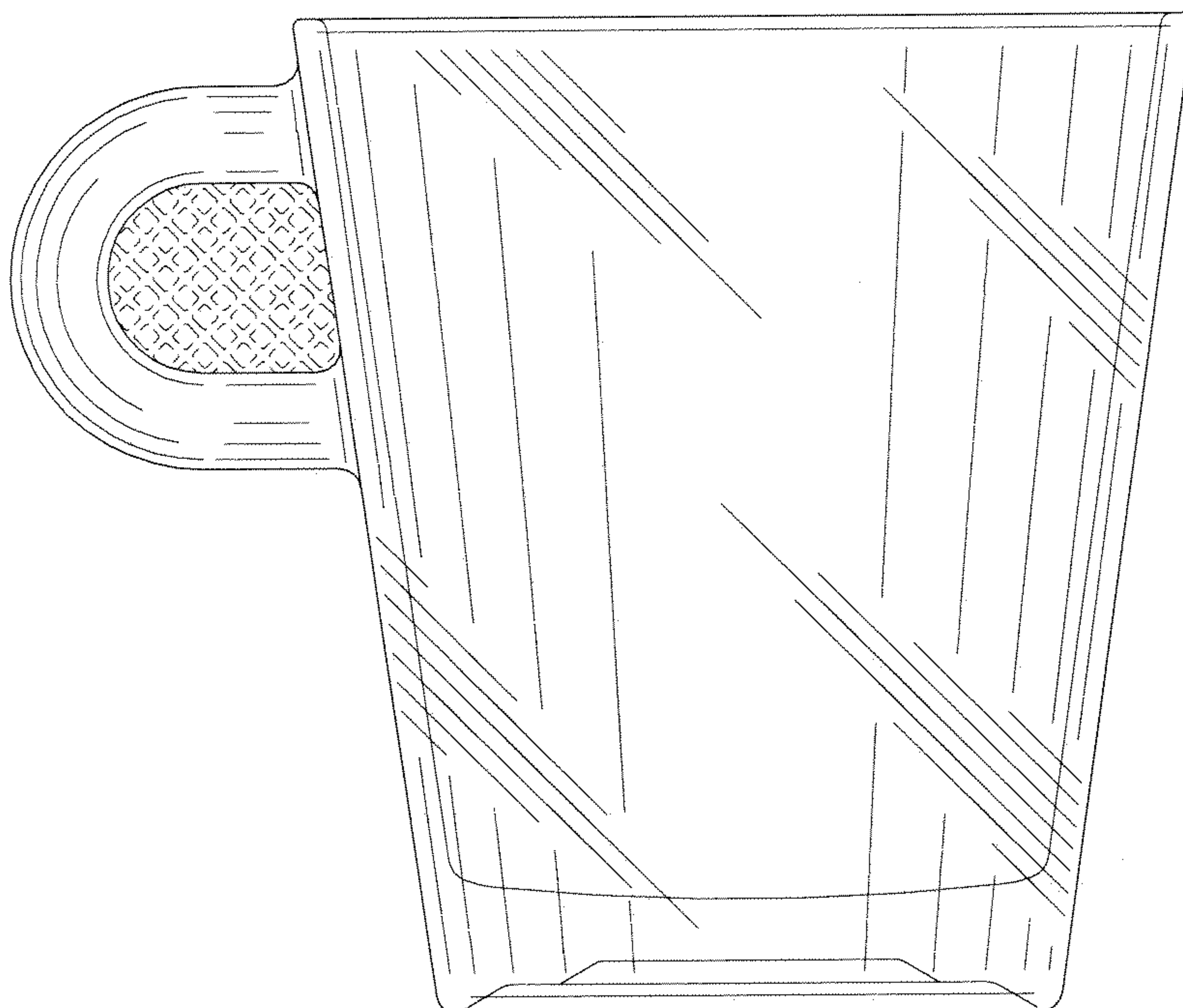


FIG. 7

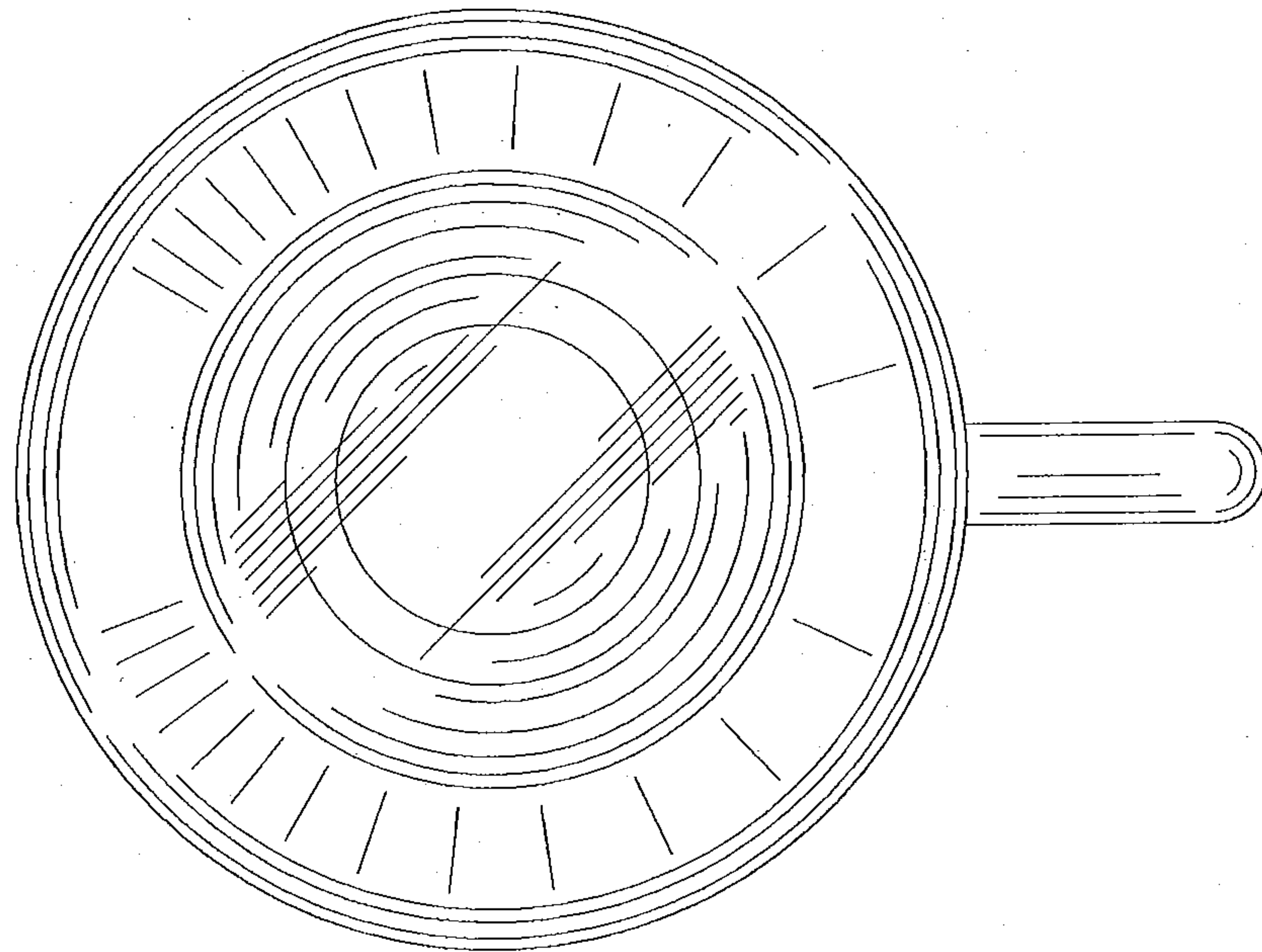


FIG. 8

