



US00D683590S

(12) **United States Design Patent**
Austin

(10) **Patent No.:** **US D683,590 S**
(45) **Date of Patent:** **** Jun. 4, 2013**

(54) **MID-SECTION SEPARABLE AND NESTABLE BOTTLE**

(76) Inventor: **Michael Austin**, Irvine, CA (US)

(**) Term: **14 Years**

(21) Appl. No.: **29/394,558**

(22) Filed: **Jun. 17, 2011**

(51) **LOC (9) Cl.** **07-01**

(52) **U.S. Cl.**
USPC **D7/510**

(58) **Field of Classification Search**
USPC 220/568, 676, 4.03; 206/219, 459.1,
206/221, 220, 368; D7/300.1, 507, 510, 511;
40/638, 306, 310, 324, 506; 215/252, 10,
215/386, 6, 11.1, 321; 426/115; 116/227,
116/317; 222/547
See application file for complete search history.

(56) **References Cited**

U.S. PATENT DOCUMENTS

475,231	A	5/1892	Anderson	
1,141,207	A *	6/1915	Parent	210/469
1,765,129	A *	6/1930	Cooke	220/568
2,090,320	A *	8/1937	Amick	215/12.1
2,527,991	A	10/1947	Greeberg	
2,752,971	A	7/1956	Tupper	
3,410,444	A	11/1968	Morane	
3,820,692	A	6/1974	Swett et al.	
4,003,555	A *	1/1977	Swartz	366/130
4,779,722	A	10/1988	Hall	
4,877,119	A	10/1989	Hosking	
5,388,729	A *	2/1995	Gerringer	222/130
5,422,129	A	6/1995	Draddy	
6,212,803	B1	4/2001	Key	
6,237,269	B1	5/2001	Key	
6,913,165	B2 *	7/2005	Linz et al.	220/568
7,225,920	B2 *	6/2007	Hoeffkes et al.	206/222
D565,353	S	4/2008	Roth et al.	
D592,455	S *	5/2009	Germann	D7/510
D604,984	S	12/2009	Kalamaras	
7,896,189	B2	3/2011	Griffin	

D640,093	S *	6/2011	Picozza et al.	D7/413
D655,967	S *	3/2012	Bodum	D7/300.1
D669,735	S *	10/2012	Wong	D7/510
D669,736	S *	10/2012	Bodum	D7/510
2004/0066705	A1	4/2004	Linz et al.	
2005/0098526	A1	5/2005	Catalin	
2006/0049127	A1	3/2006	Katz et al.	
2006/0254936	A1	11/2006	Corbitt et al.	
2010/0326945	A1	12/2010	Yu	
2011/0068080	A1	3/2011	Weissich	

FOREIGN PATENT DOCUMENTS

CN 2571376 9/2010

* cited by examiner

Primary Examiner — Cynthia Underwood
(74) *Attorney, Agent, or Firm* — Kirk A. Buhler; Buhler & Associates

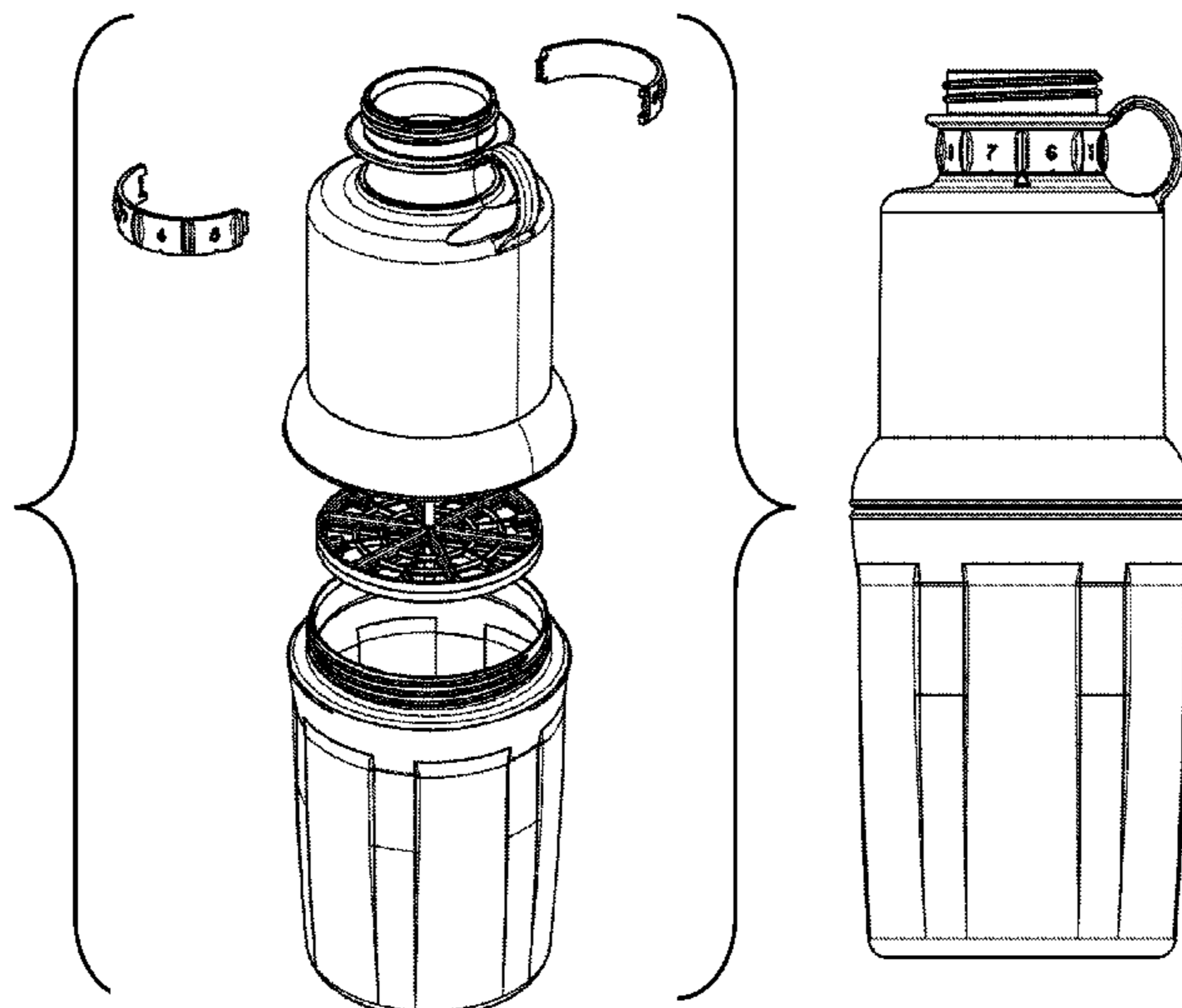
(57) **CLAIM**

The ornamental design for a mid-section separable and nestable bottle, as shown and described.

DESCRIPTION

FIG. 1 is an exploded, top, perspective view of a mid-section separable and nestable bottle showing my new design; FIG. 2 is a left side view thereof; FIG. 3 is a front side view thereof; FIG. 4 is a right side view thereof; FIG. 5 is a back side view thereof; FIG. 6 is a top view thereof; FIG. 7 is a bottom view thereof; FIG. 8 is a left view with the bottle sections snapped together and securely nested thereof; FIG. 9 is a bottom perspective view with the bottle sections snapped together and securely nested thereof; FIG. 10 is sectional view taken along lines 10-10 from FIG. 3 thereof, and, FIG. 11 is a sectional view taken along lines 11-11 from FIG. 8.

1 Claim, 5 Drawing Sheets



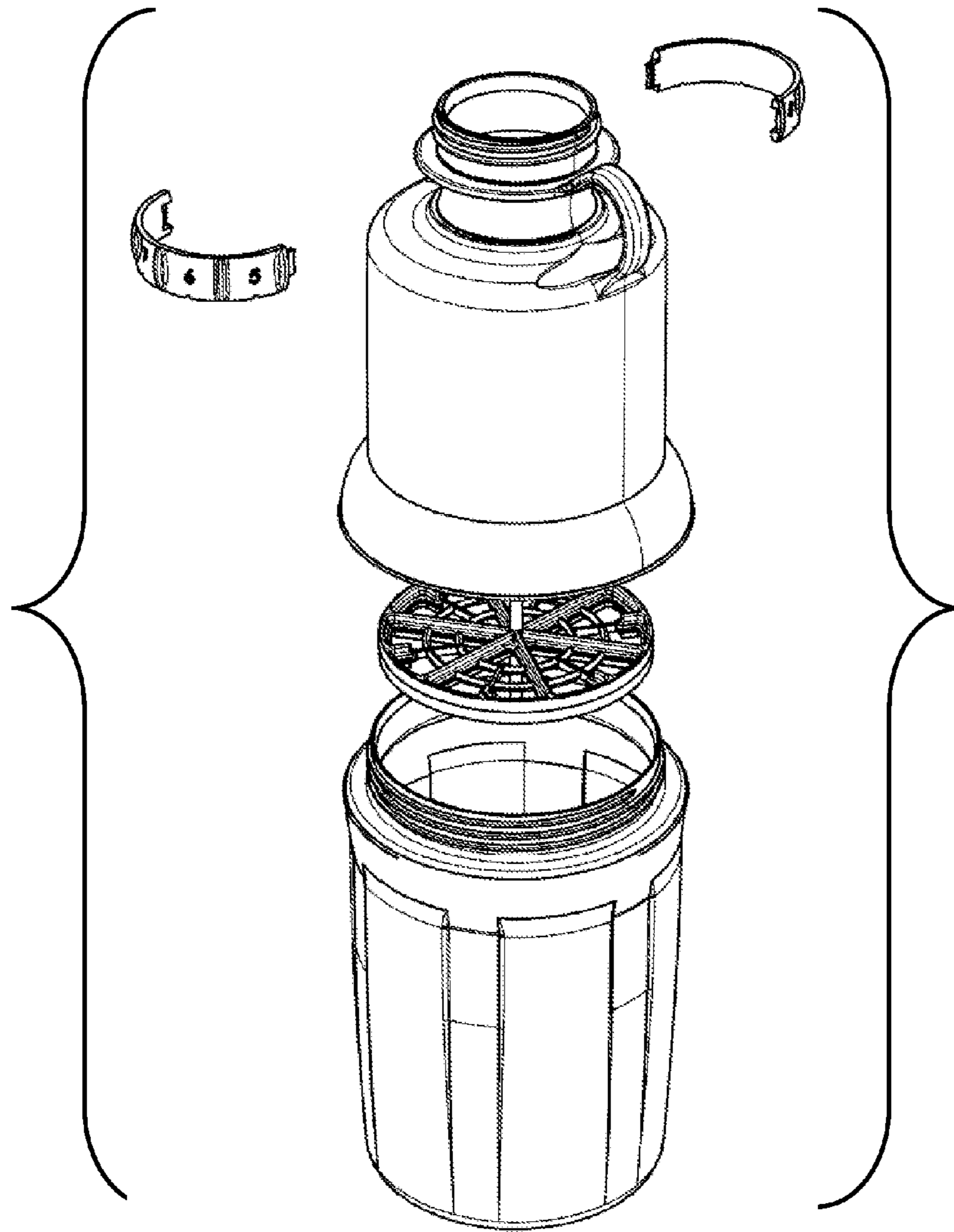


FIG. 1

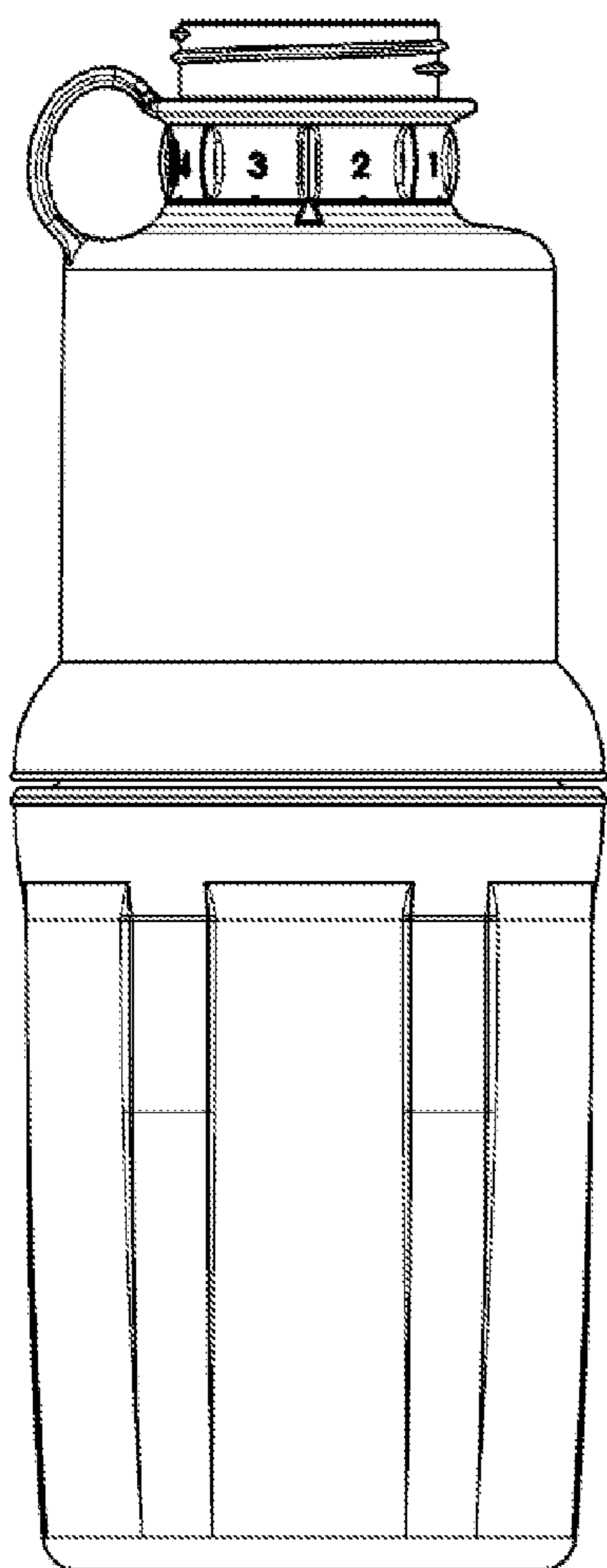


FIG. 2

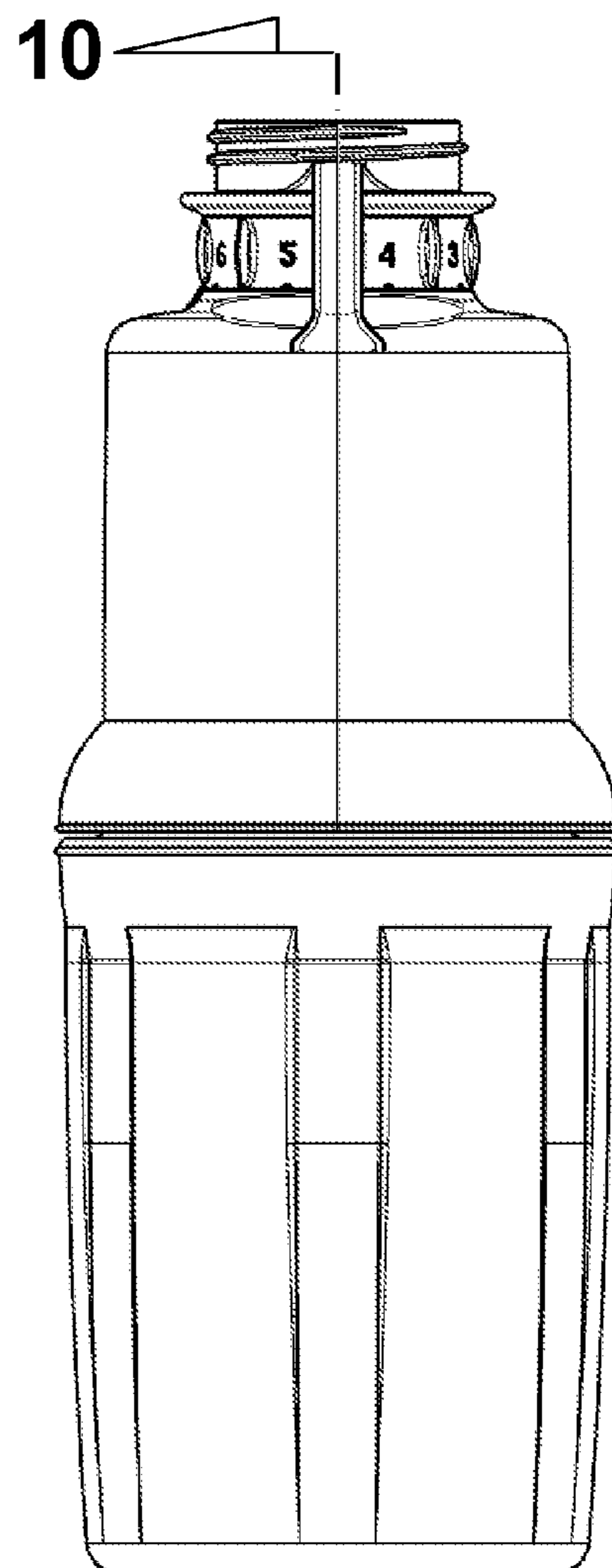


FIG. 3

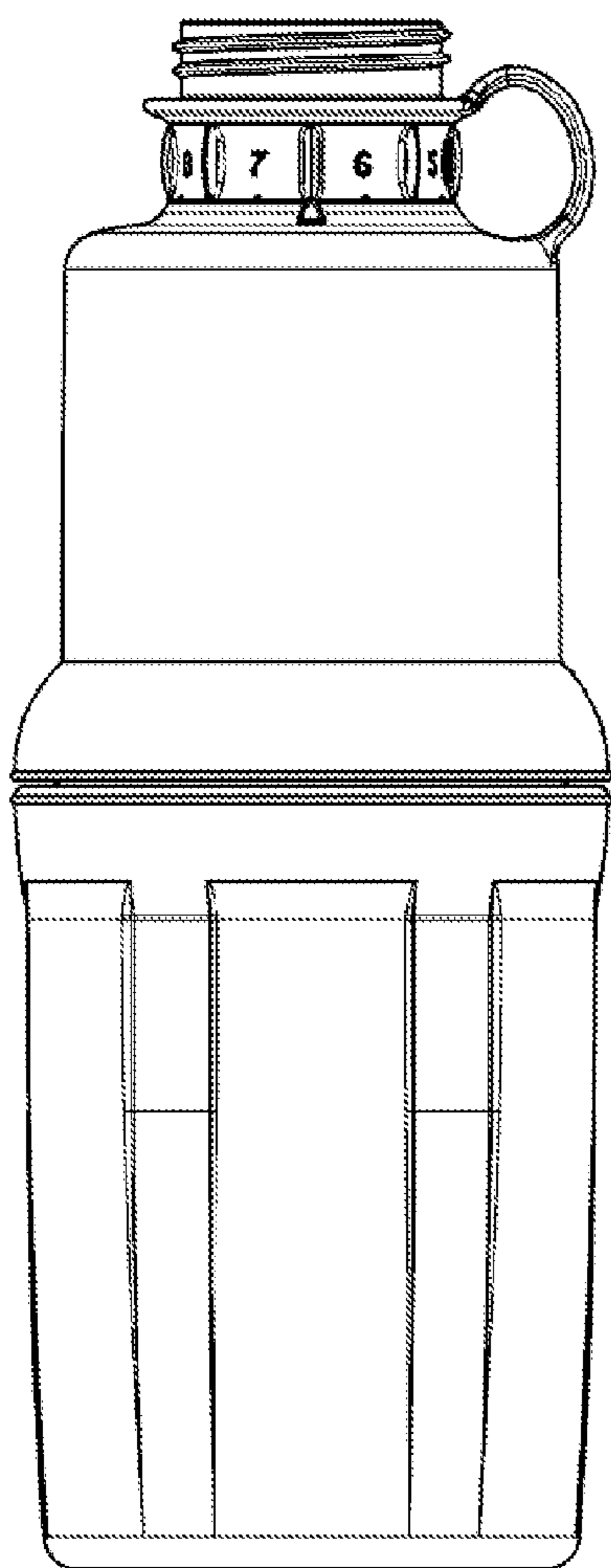


FIG. 4

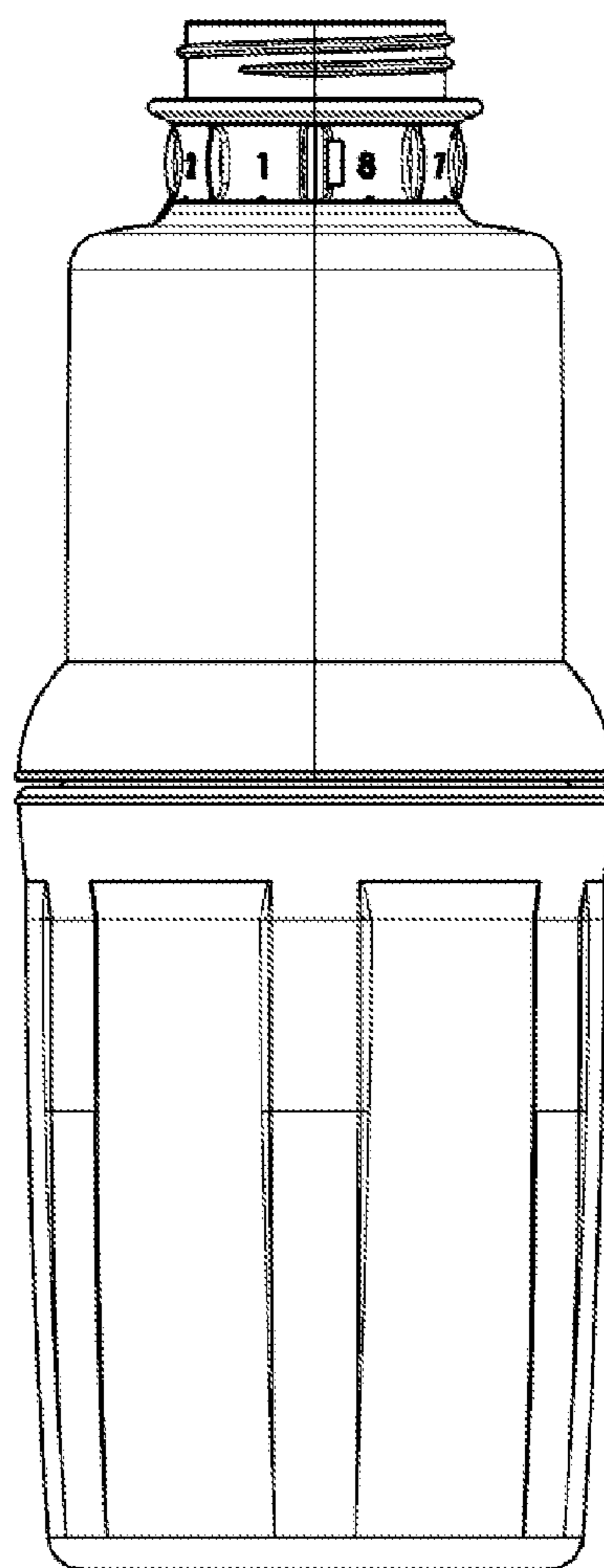


FIG. 5

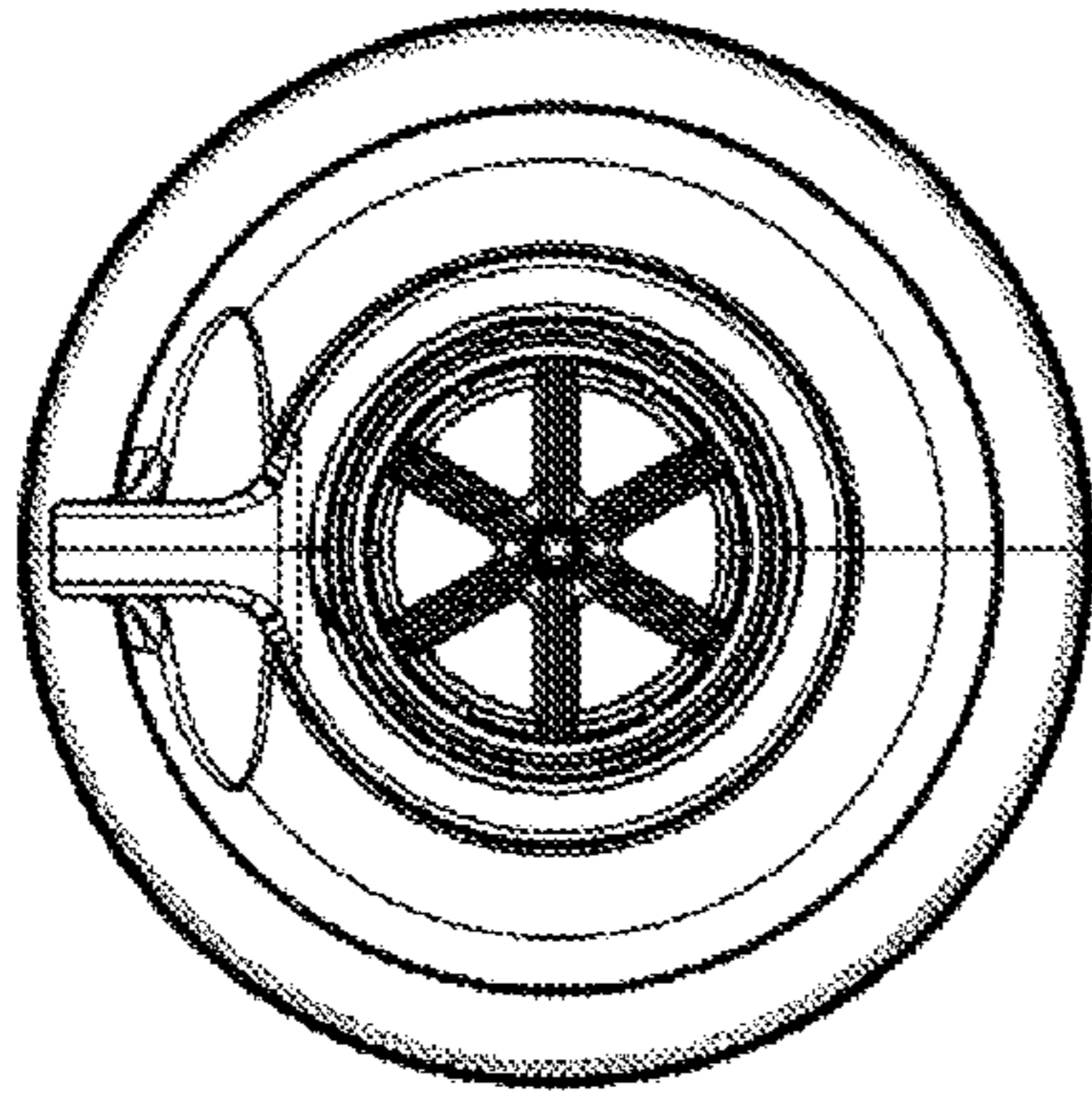


FIG. 6

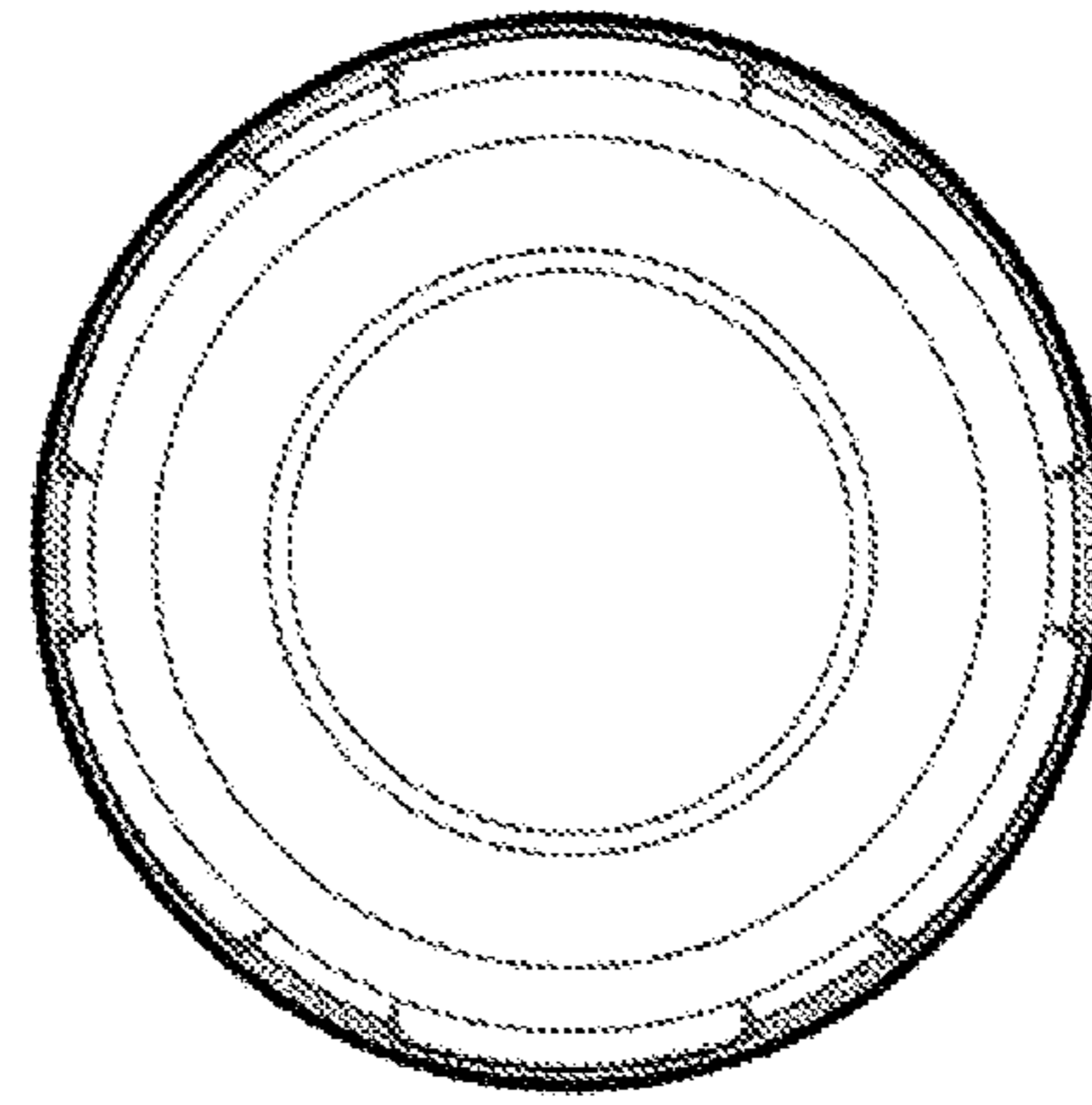


FIG. 7

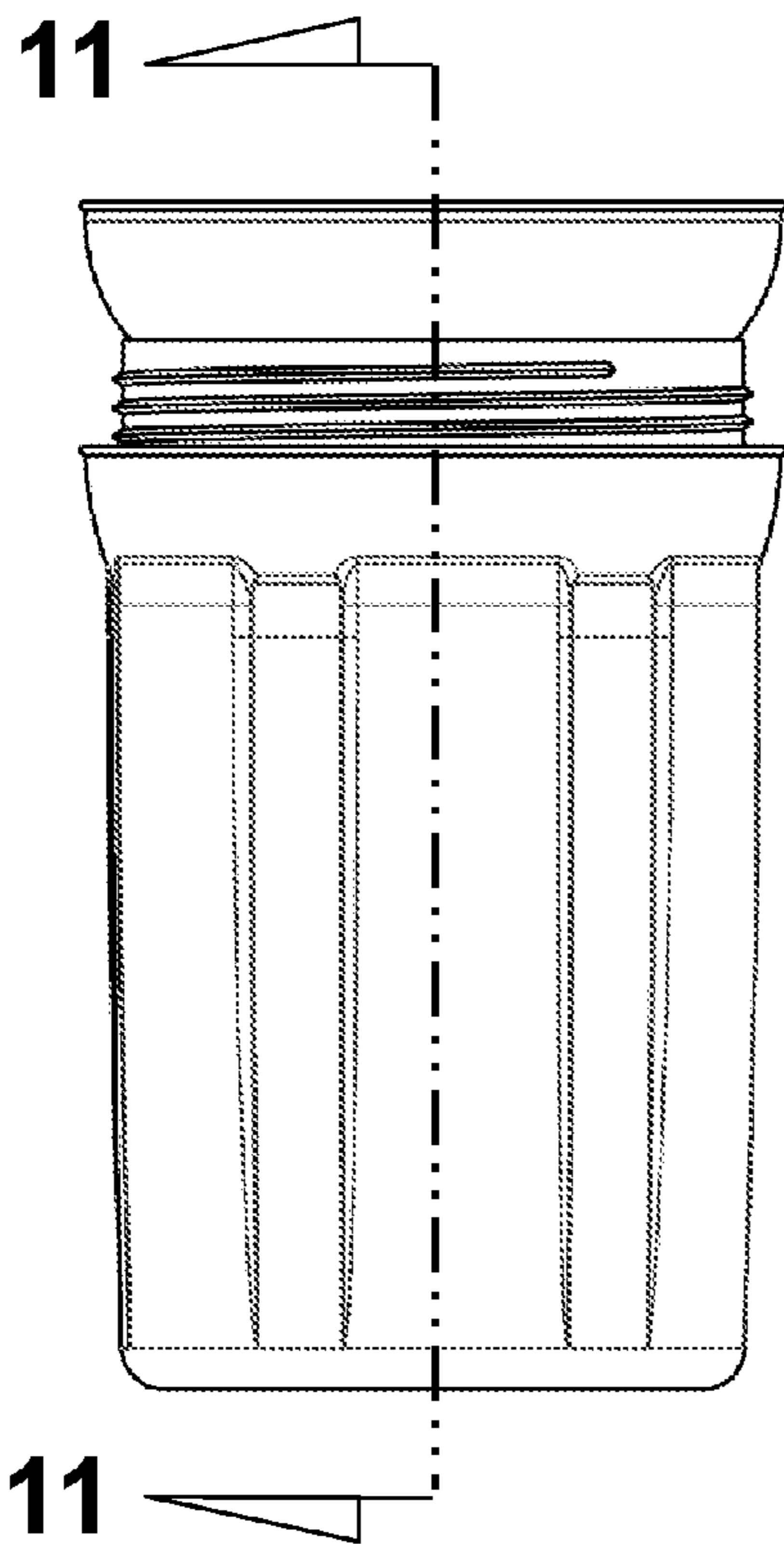


FIG. 8

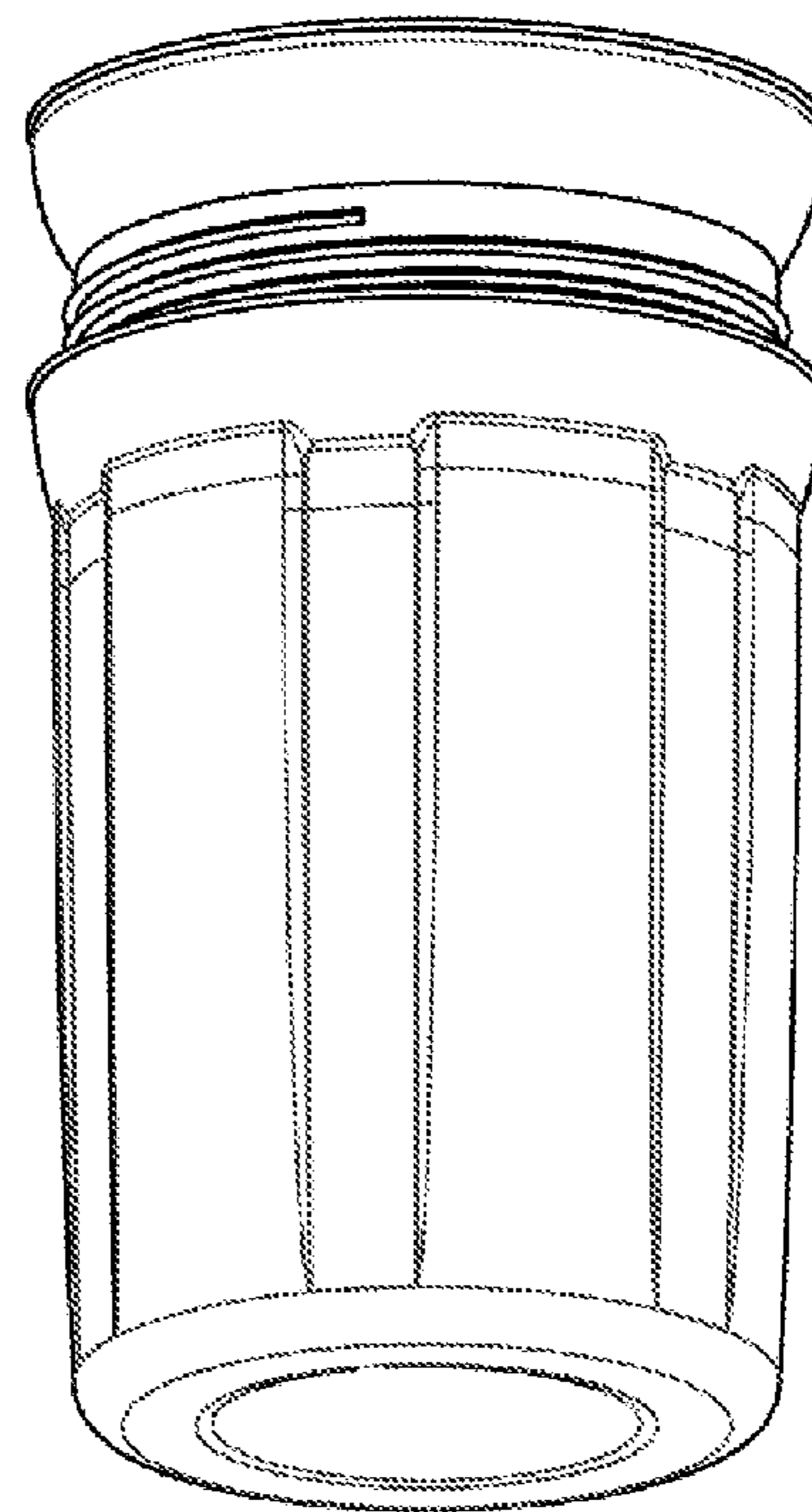


FIG. 9

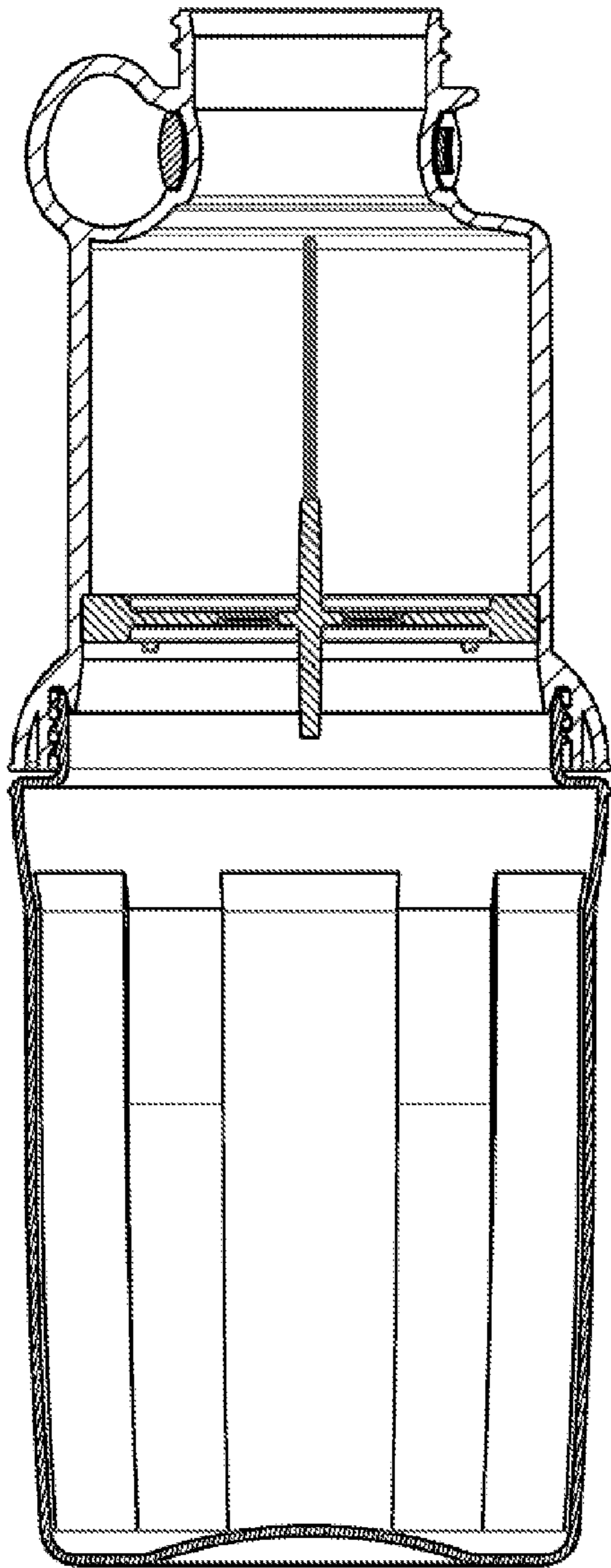


FIG. 10

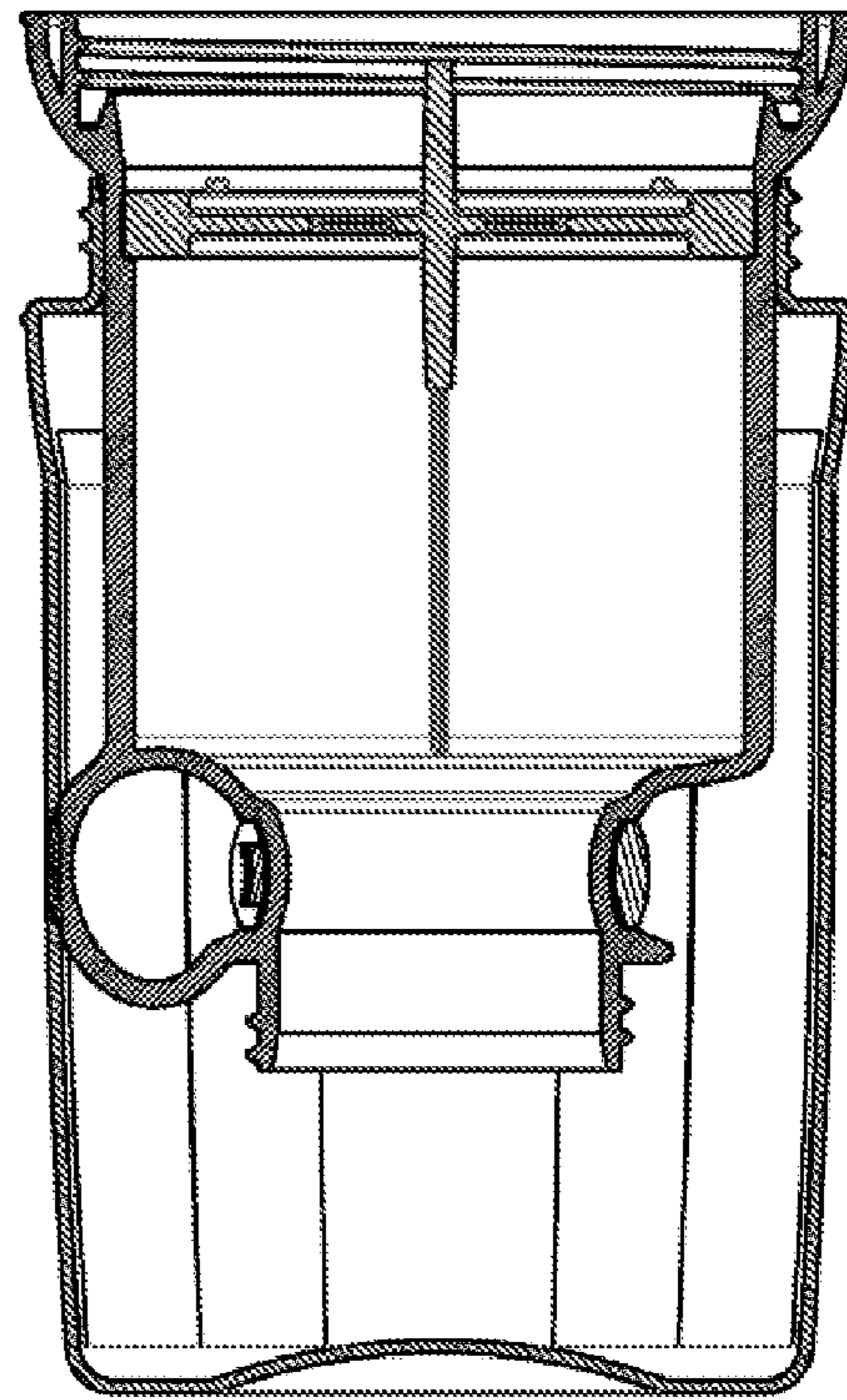


FIG. 11