



US00D683589S

(12) **United States Design Patent**
Itzek et al.

(10) **Patent No.:** **US D683,589 S**
(45) **Date of Patent:** **** Jun. 4, 2013**

(54) **BEVERAGE CONTAINER**

(75) Inventors: **Eckhard Itzek**, Nartum (DE); **Birgit Meyer**, Ganderkesee (DE); **Andrej Walger**, Zeven (DE)

(73) Assignee: **MAPA GmbH**, Zeven (DE)

(**) **Term:** **14 Years**

(21) **Appl. No.:** **29/387,644**

(22) **Filed:** **Mar. 16, 2011**

(30) **Foreign Application Priority Data**

Sep. 16, 2010 (EM) 001756008-0001
Sep. 16, 2010 (EM) 001756008-0005

(51) **LOC (9) Cl.** **07-01**

(52) **U.S. Cl.**
USPC **D7/510; D7/511; D7/534**

(58) **Field of Classification Search**
USPC D7/534, 510, 511, 509, 524; D24/197;
215/11.1, 11.6, 386; 220/710.5
See application file for complete search history.

(56) **References Cited**

U.S. PATENT DOCUMENTS

D233,972	S *	12/1974	Juhlin	D7/511
D315,213	S *	3/1991	Ohnuki	D24/197
D322,196	S *	12/1991	Ohnuki	D7/510
D326,796	S *	6/1992	Kawano	D7/510
D346,932	S *	5/1994	Cautereels et al.	D7/507
D354,416	S *	1/1995	Cautereels et al.	D7/507
D421,878	S *	3/2000	Roehrig	D7/510
D425,904	S *	5/2000	Frye et al.	D14/247
D425,994	S *	5/2000	Hakim	D24/197
6,230,923	B1 *	5/2001	Hung	220/703
D448,244	S *	9/2001	Thomas	D7/510

6,321,931	B1 *	11/2001	Hakim et al.	220/714
D460,322	S *	7/2002	Orr et al.	D7/510
D476,849	S *	7/2003	Randolph	D7/510
6,880,713	B2 *	4/2005	Holley, Jr.	215/11.4
D559,624	S *	1/2008	Carreno	D7/534
D579,722	S *	11/2008	Sakulsacha et al.	D7/510
7,556,172	B2 *	7/2009	Lane	220/714
7,562,789	B2 *	7/2009	Randolph et al.	220/710.5
D619,854	S *	7/2010	Koehler et al.	D7/607
D626,246	S *	10/2010	Rees et al.	D24/197
D642,435	S *	8/2011	Schofield et al.	D7/510
D642,866	S *	8/2011	Schofield et al.	D7/510
D644,067	S *	8/2011	Valderrama et al.	D7/534
D652,248	S *	1/2012	Valderrama et al.	D7/392.1
8,256,641	B2 *	9/2012	Randolph et al.	220/710.5
2002/0126851	A1 *	9/2002	Lo et al.	381/61
2007/0163984	A1 *	7/2007	Nguyen et al.	215/11.3

* cited by examiner

Primary Examiner — Marianne Pandozzi

(74) *Attorney, Agent, or Firm* — Vidas, Arrett & Steinkraus P.A.

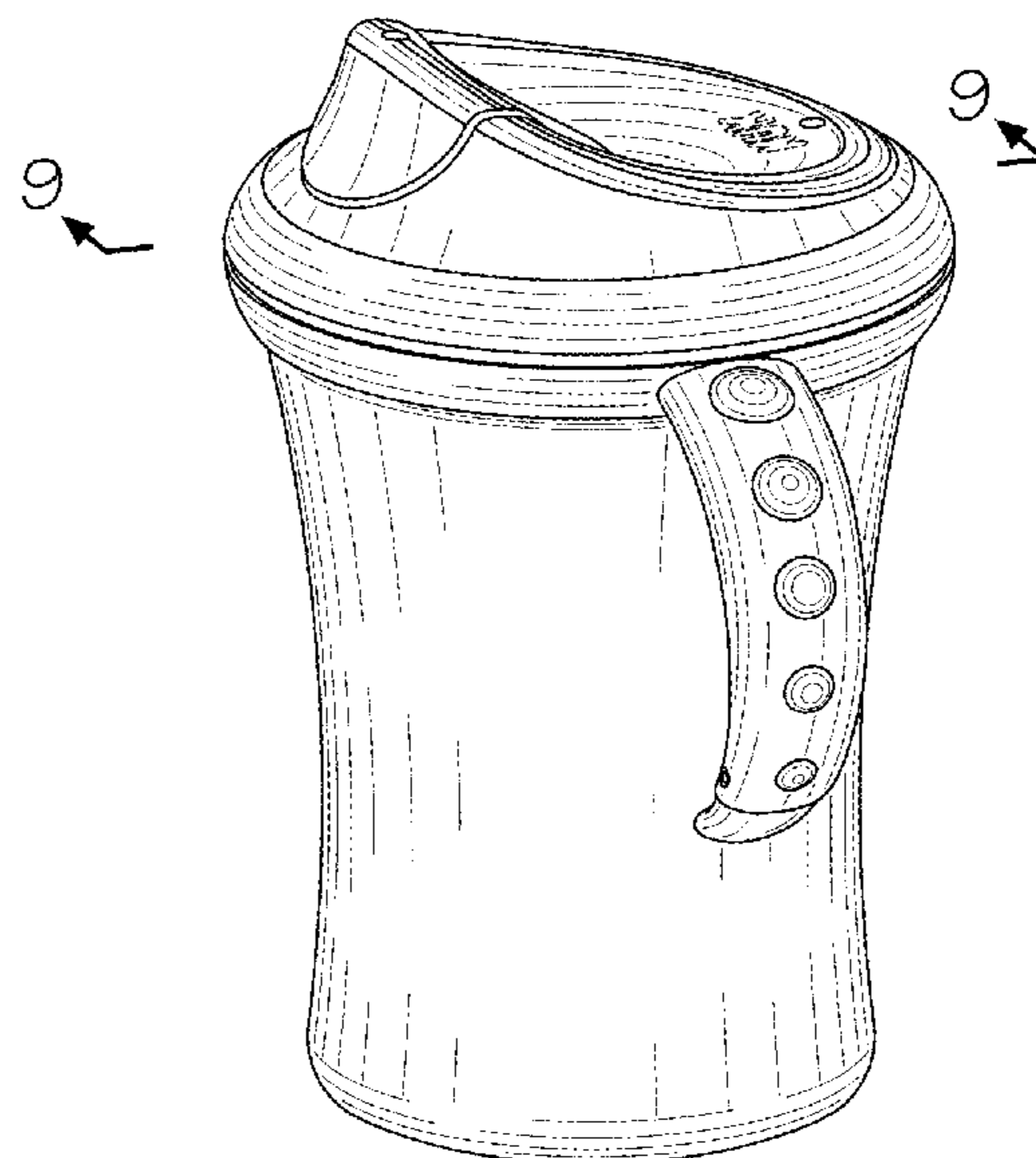
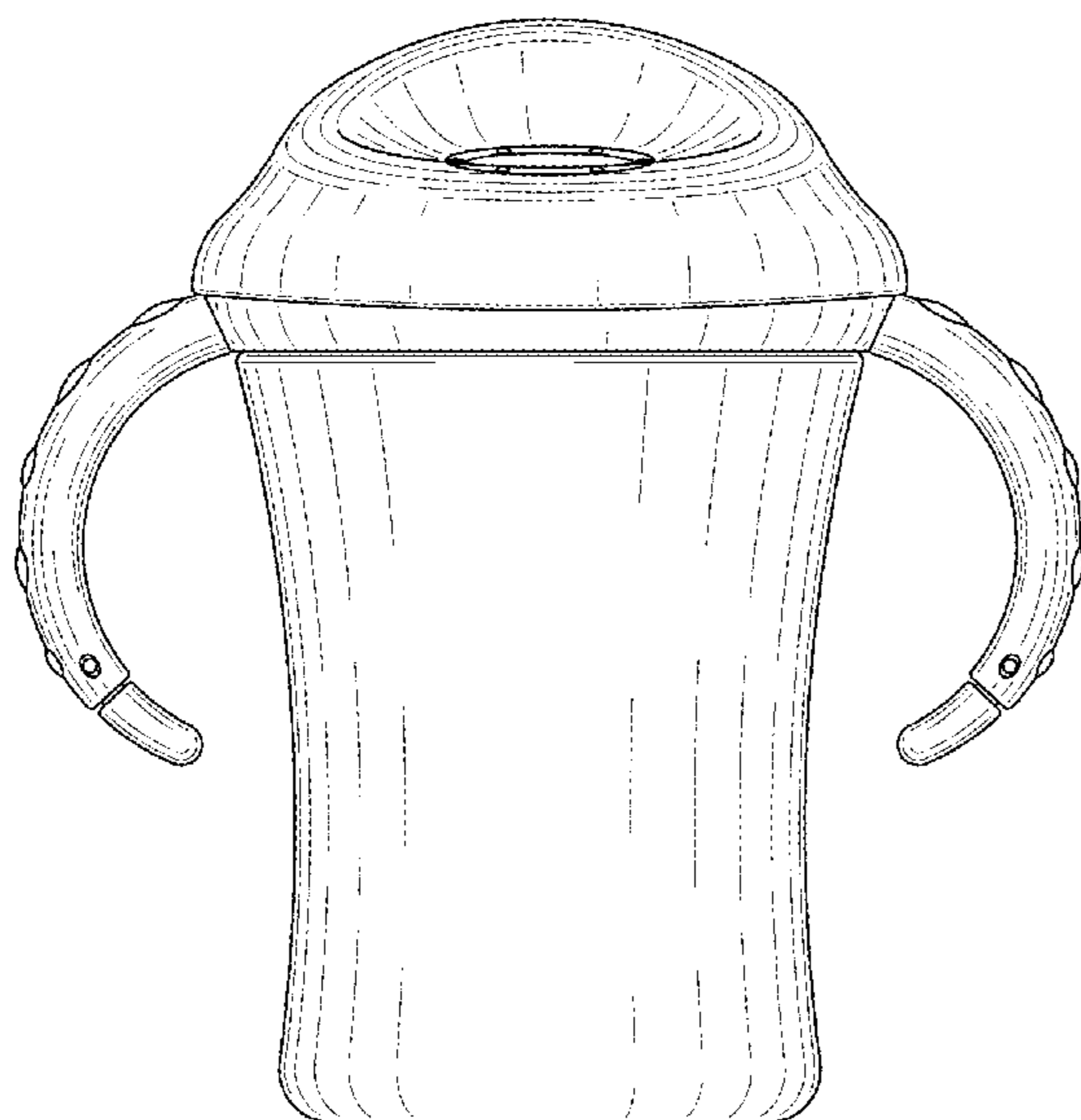
(57) **CLAIM**

The ornamental design for a beverage container, as shown and described.

DESCRIPTION

FIG. 1 is a front view of a beverage container showing our new design
FIG. 2 is a left side view thereof;
FIG. 3 is a rear elevational view thereof;
FIG. 4 is a right side view thereof;
FIG. 5 is a top plan view thereof;
FIG. 6 is a bottom plan view thereof;
FIG. 7 is a sectional view taken along line 7-7 of FIG. 5;
FIG. 8 is a front right side perspective view thereof; and,
FIG. 9 is a sectional view taken along line 9-9 of FIG. 8.

1 Claim, 6 Drawing Sheets



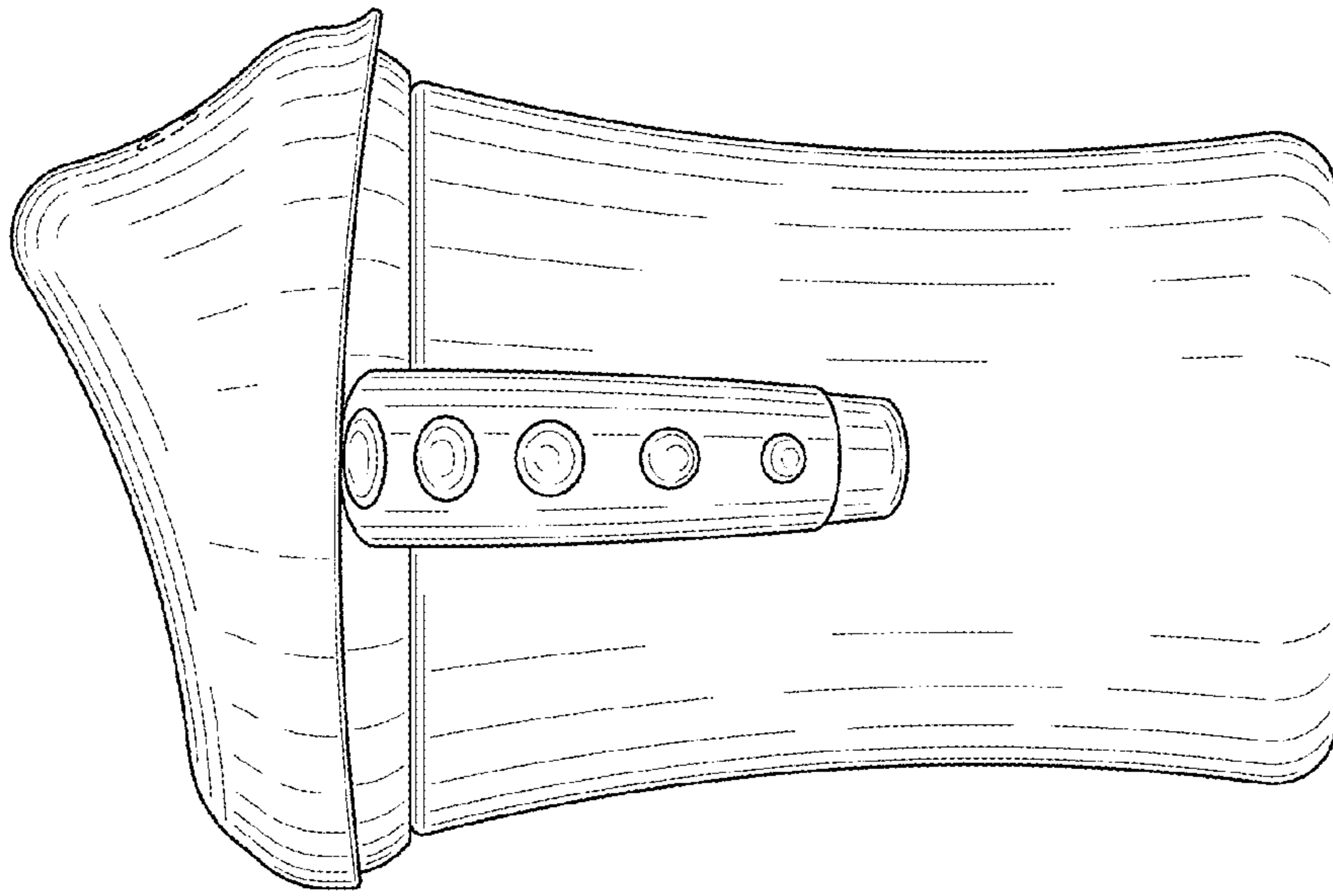


FIG. 2

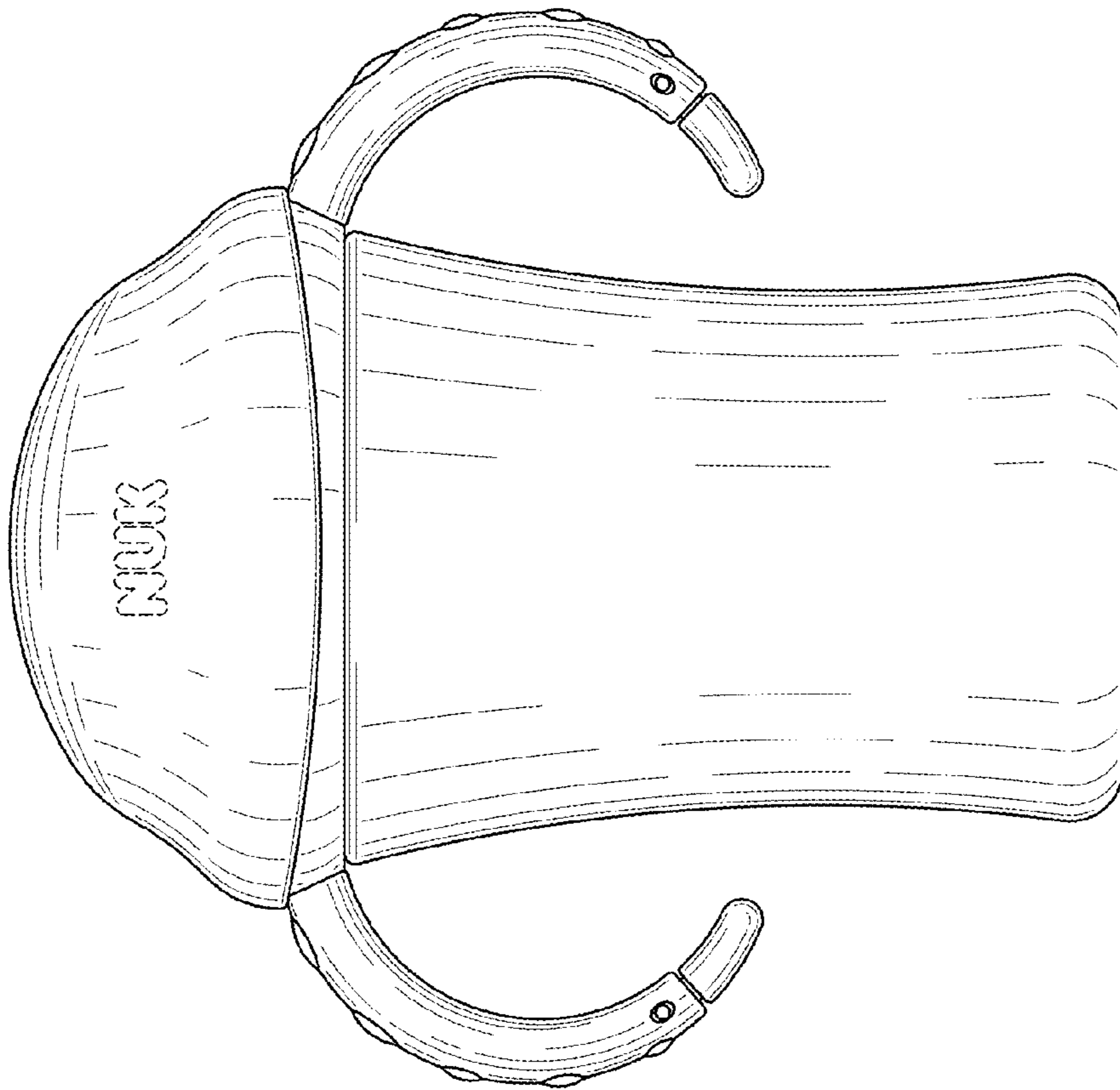


FIG. 1

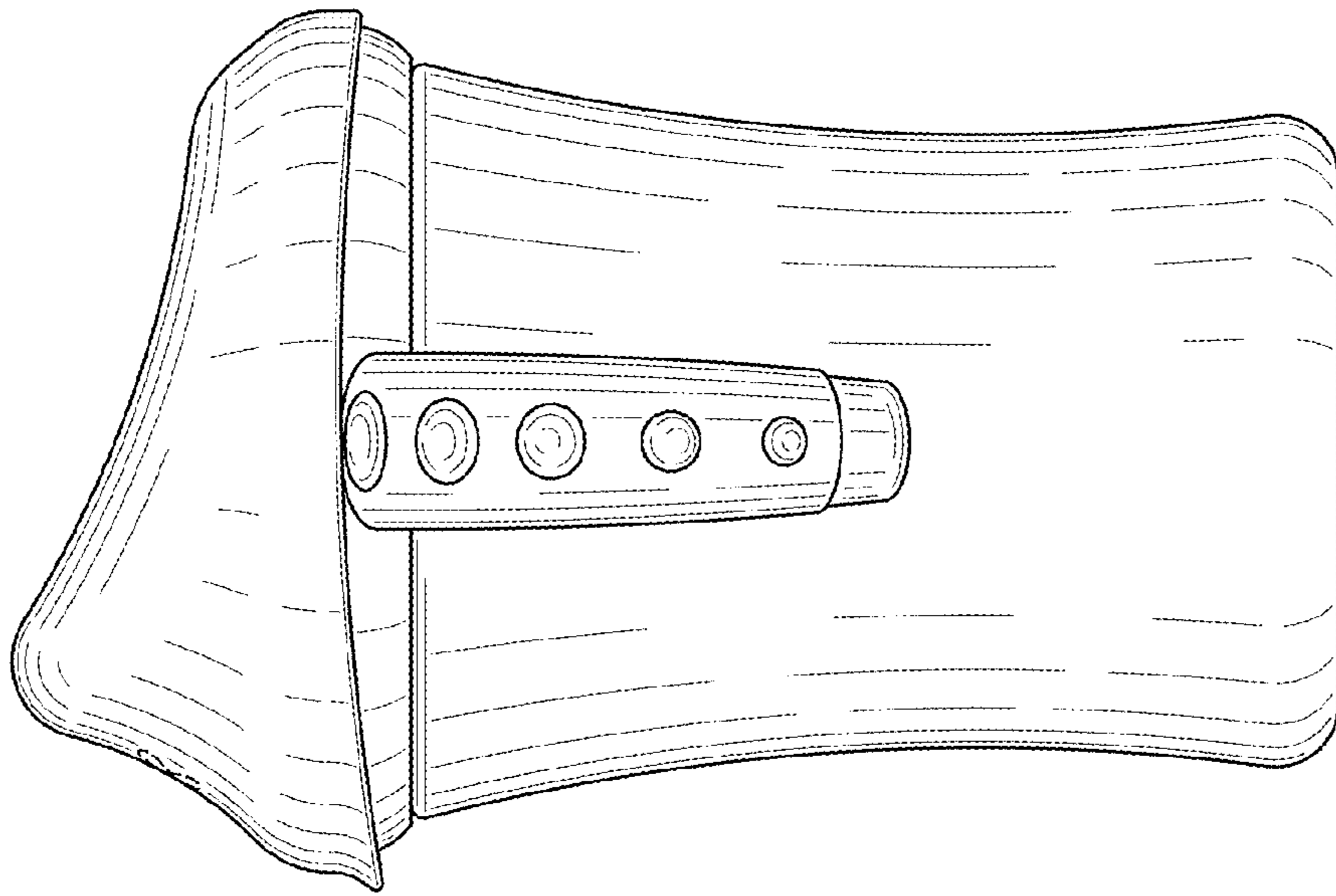


FIG. 4

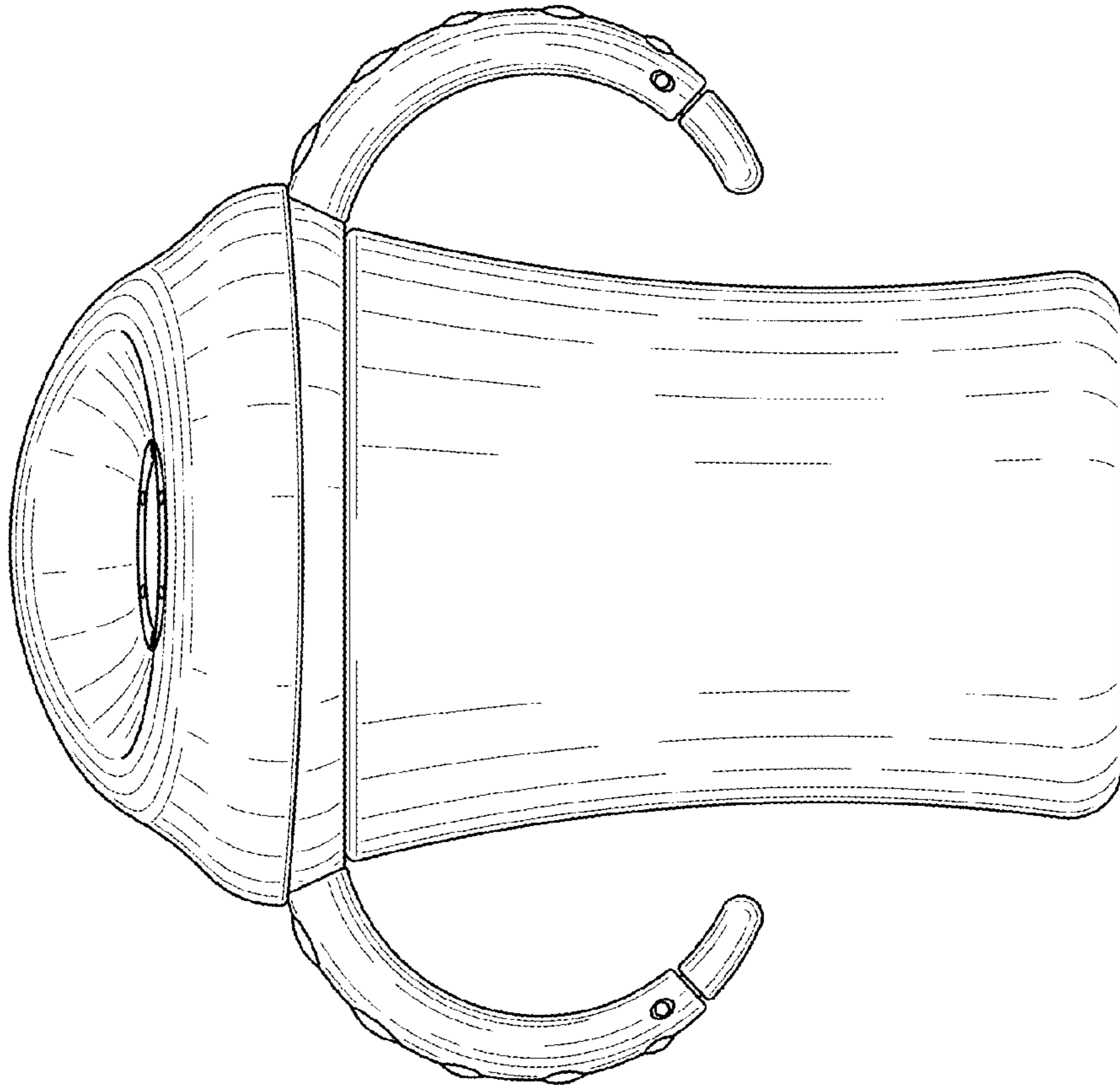


FIG. 3

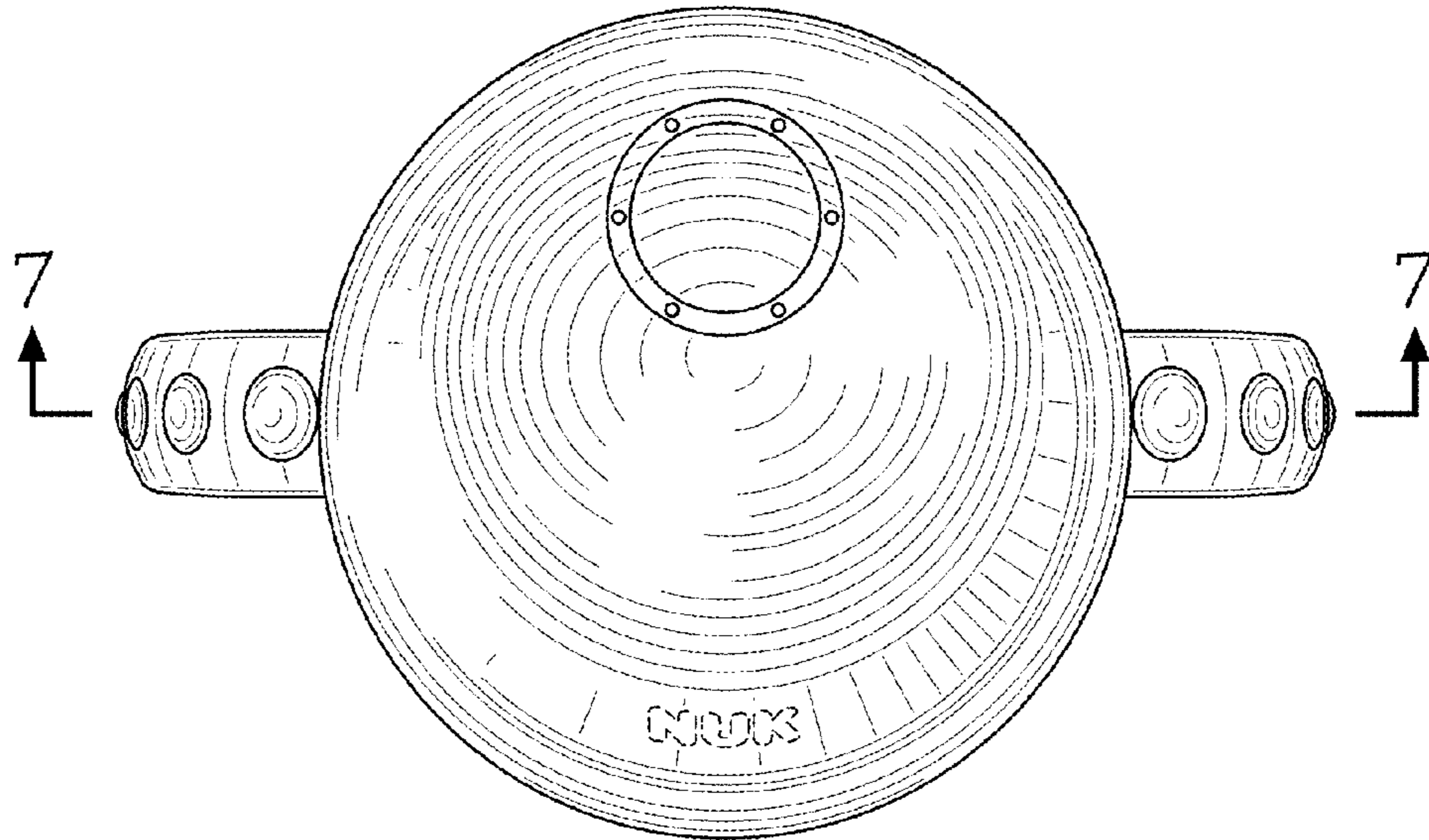


FIG. 5

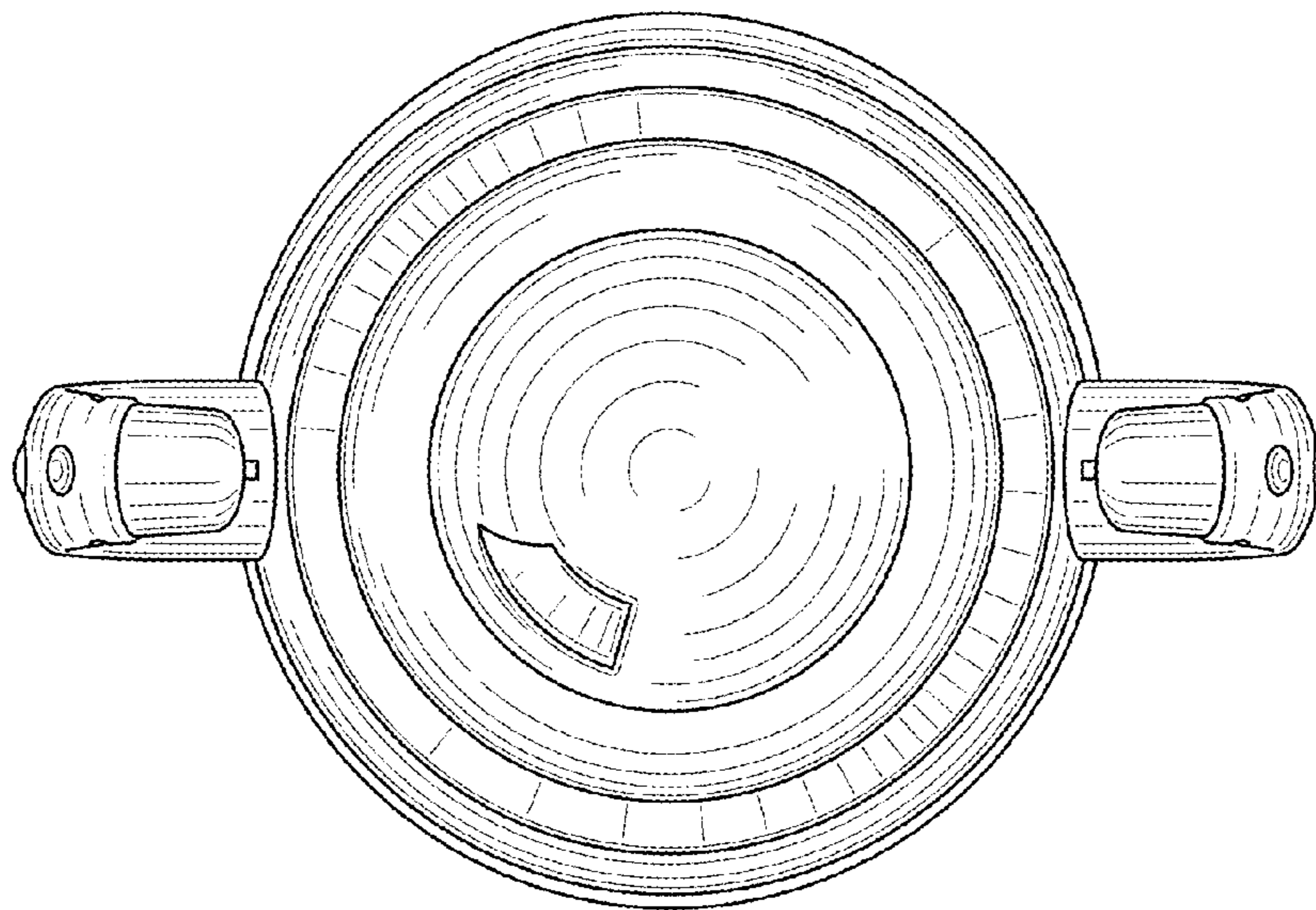


FIG. 6

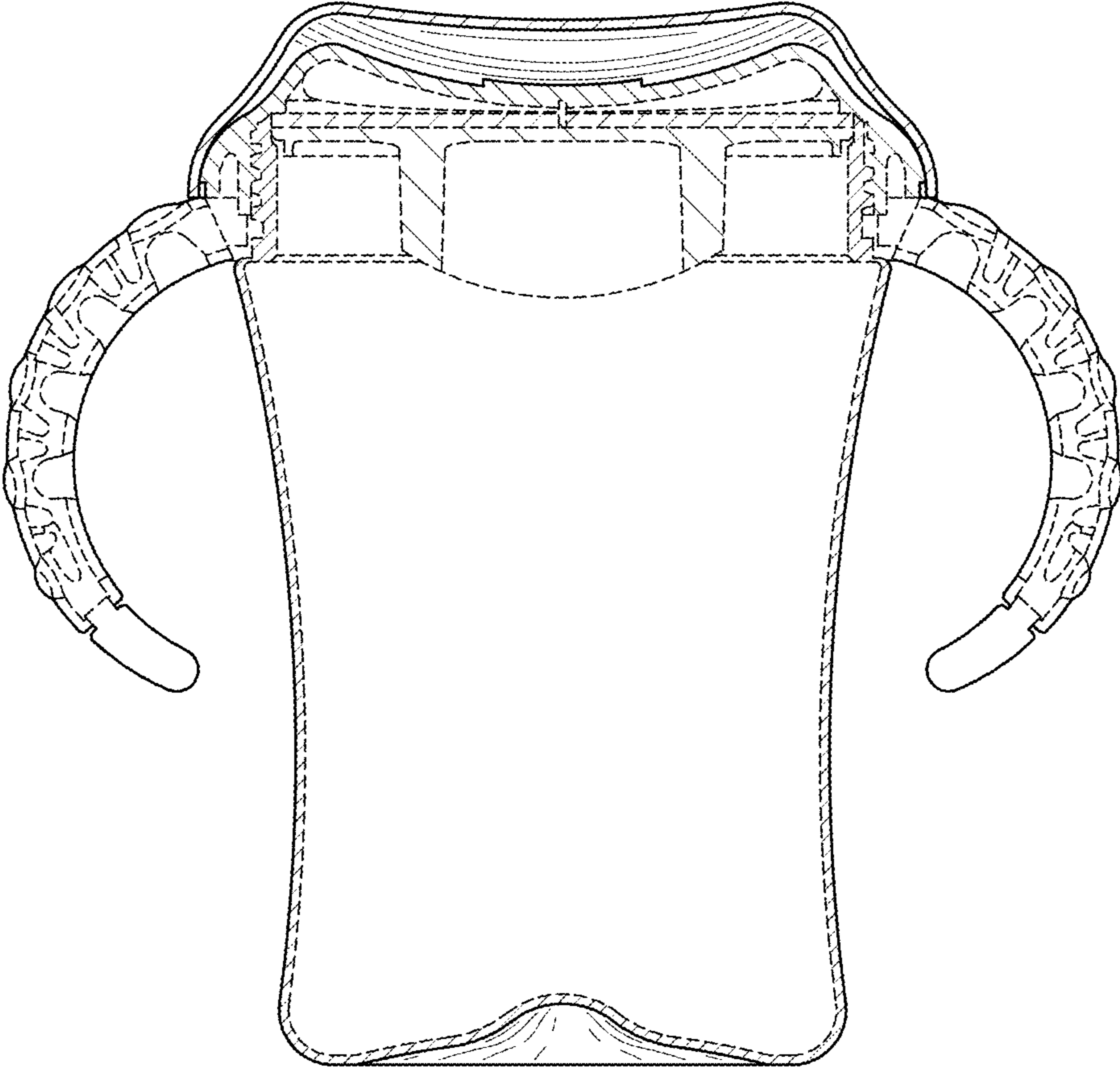


FIG. 7

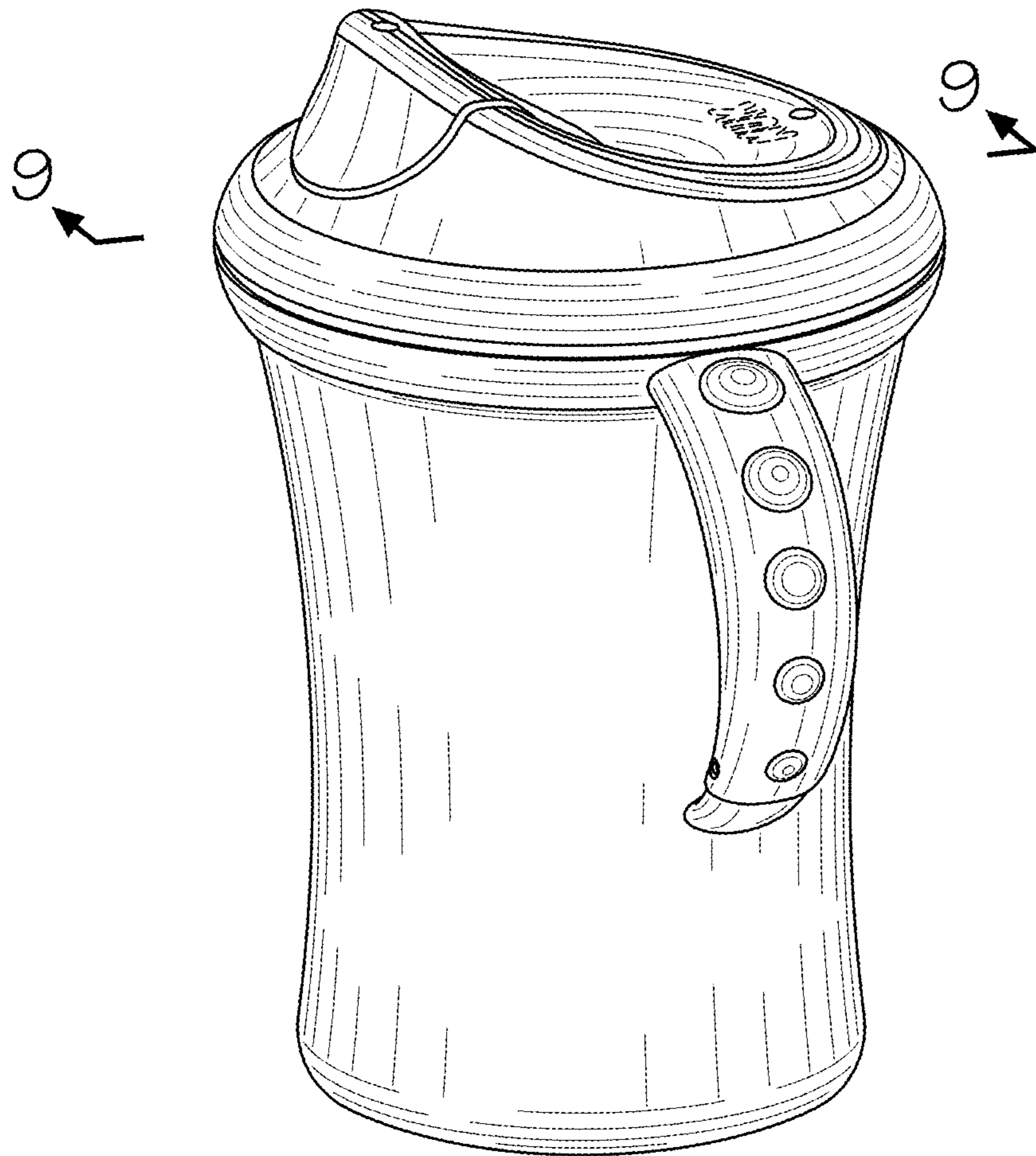


FIG. 8

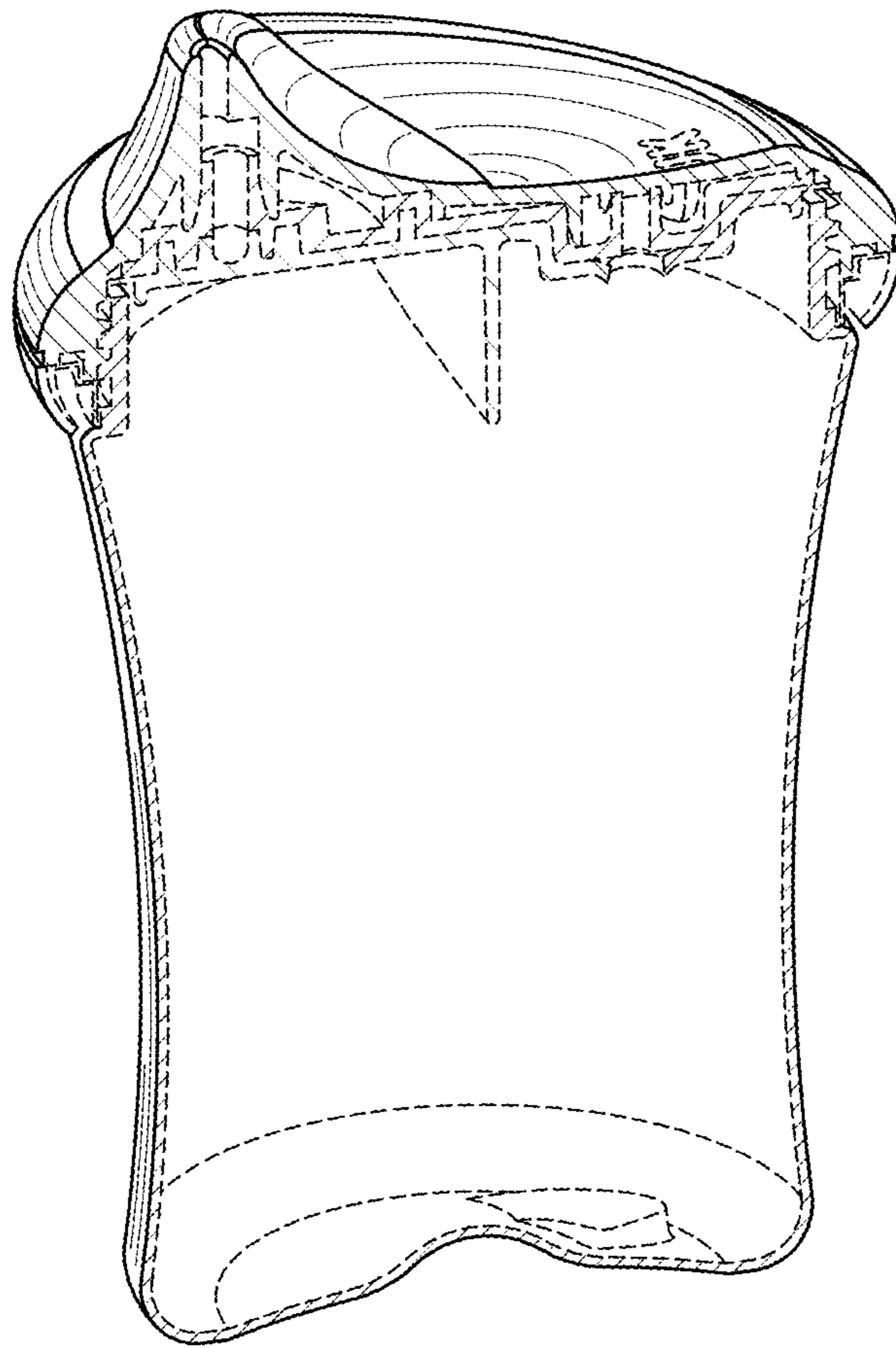


FIG. 9