

US00D683588S

(12) **United States Design Patent**
Dunn et al.

(10) **Patent No.:** **US D683,588 S**
(45) **Date of Patent:** **** Jun. 4, 2013**

- (54) **CONTAINER**
- (71) Applicant: **Munchkin Inc.**, North Hills, CA (US)
- (72) Inventors: **Steven B. Dunn**, Beverly Hills, CA (US); **Mark A. Hatherill**, Beverly Hills, CA (US); **Rodolfo Gastelum**, San Pedro, CA (US); **Won Song**, Seoul (KR)
- (73) Assignee: **Munchkin, Inc.**, North Hills, CA (US)
- (**) Term: **14 Years**
- (21) Appl. No.: **29/443,069**
- (22) Filed: **Jan. 11, 2013**

6,783,020	B2	8/2004	Featherston et al.
6,880,713	B2 *	4/2005	Holley, Jr. 215/11.4
D584,102	S *	1/2009	Valderrama et al. D7/392.1
7,651,005	B2 *	1/2010	Nguyen et al. 215/365
D609,527	S *	2/2010	Roehrig et al. D7/510
D609,528	S *	2/2010	Roehrig et al. D7/510
D620,309	S *	7/2010	Boonprasop D7/396.2
D620,315	S *	7/2010	Boonprasop D7/509
D624,434	S *	9/2010	Schaeffer et al. D9/685
D628,078	S *	11/2010	Valderrama et al. D9/542
D642,437	S *	8/2011	Schofield et al. D7/510
D644,067	S *	8/2011	Valderrama et al. D7/534
D656,788	S *	4/2012	Sakulsacha D7/510
2004/0124196	A1	7/2004	Ziegler
2004/0200797	A1	10/2004	Hicks et al.
2006/0213912	A1	9/2006	Zaytoun
2009/0071962	A1	3/2009	Lindsay
2009/0242562	A1 *	10/2009	Valderrama et al. 220/288
2010/0051572	A1	3/2010	Beecroft et al.
2010/0147862	A1	6/2010	Keefe et al.

Related U.S. Application Data

- (60) Division of application No. 29/374,940, filed on Oct. 26, 2011, now Pat. No. Des. 675,062, and a continuation of application No. 13/192,438, filed on Jul. 27, 2011, and a continuation of application No. 13/192,440, filed on Jul. 27, 2011, and a continuation of application No. 13/192,441, filed on Jul. 27, 2011.

- (51) **LOC (9) Cl.** **07-01**
- (52) **U.S. Cl.**
USPC **D7/509**; D7/510; D7/511; D24/197
- (58) **Field of Classification Search**
USPC D7/510, 511, 536, 300.1, 507, 300, D7/312, 313, 509; 239/318; D9/719, 527, D9/528, 550, 438, 780, 443, 777, 549, 525, D9/542, 564, 569; 215/393, 207, 11.1, 11.6, 215/388; D24/197; 220/705, 709, 254.1, 220/717, 714, 713; 222/211, 215
See application file for complete search history.

(56) **References Cited**

U.S. PATENT DOCUMENTS

4,485,963	A	12/1984	Panicci
5,147,066	A	9/1992	Snider
D486,996	S *	2/2004	Karp D7/510

OTHER PUBLICATIONS

U.S. Appl. No. 13/192,438, filed Jul. 27, 2011, Dunn et al.
U.S. Appl. No. 13/192,440, filed Jul. 27, 2011, Dunn et al.
U.S. Appl. No. 13/192,441, filed Jul. 27, 2011, Dunn et al.
U.S. Appl. No. 29/374,940, filed Oct. 26, 2011, Dunn et al.

* cited by examiner

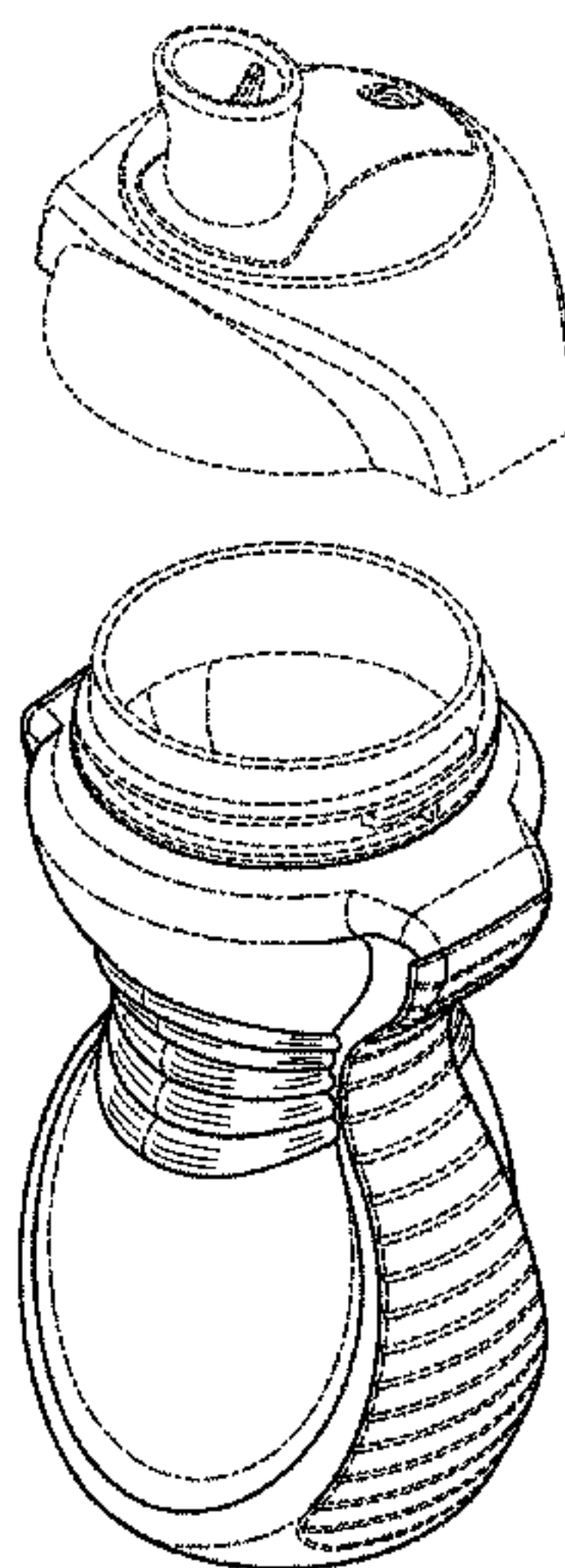
Primary Examiner — Marianne Pandozzi
(74) *Attorney, Agent, or Firm* — Robert Z. Evora, Esq.

(57) **CLAIM**
The ornamental design for a container, as shown and described.

DESCRIPTION

FIG. 1 is a perspective view of a container showing our new design;
FIG. 2 is a front view of the container;
FIG. 3 is a side view of the container;
FIG. 4 is a bottom view of the container; and,
FIG. 5 is a top view of the container.
The broken lines shown in the drawings represent environmental structure in figures that form no part of the claimed design.

1 Claim, 2 Drawing Sheets



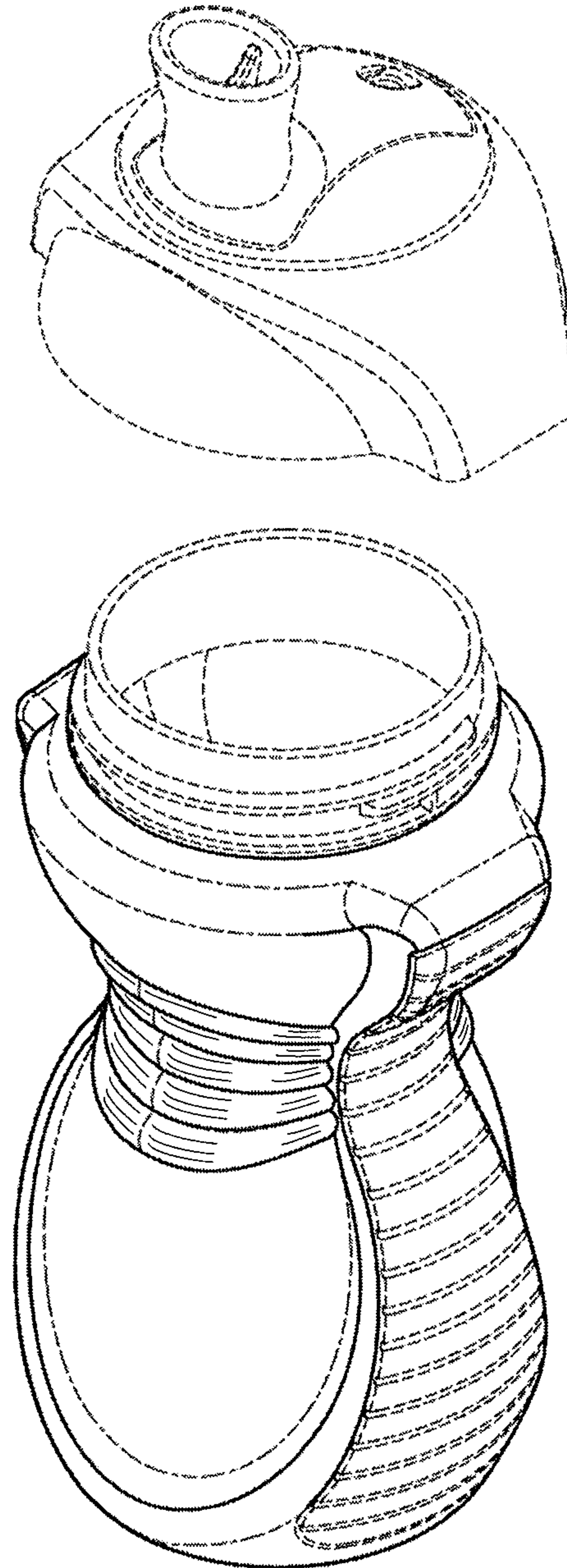


FIG. 1

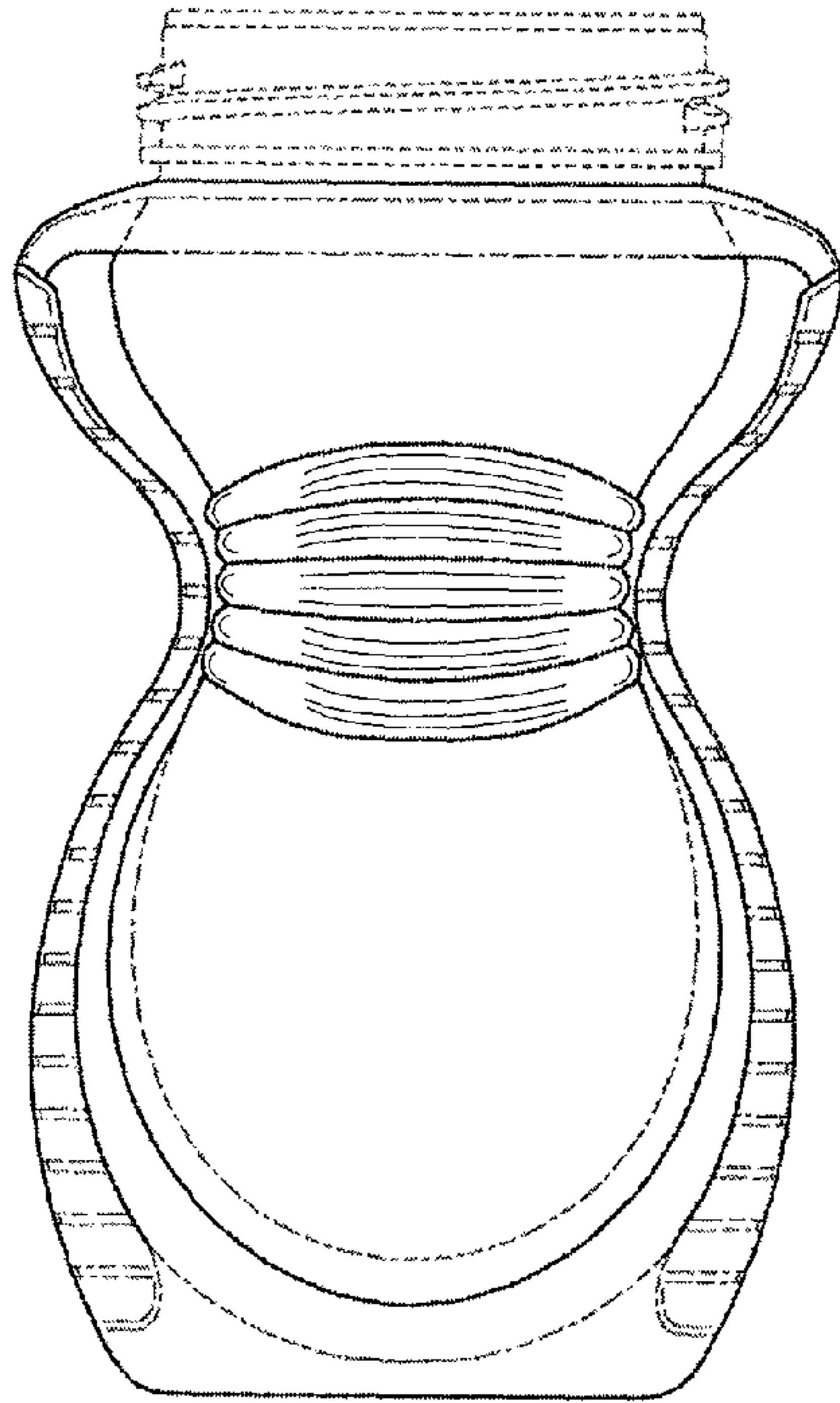


FIG. 2

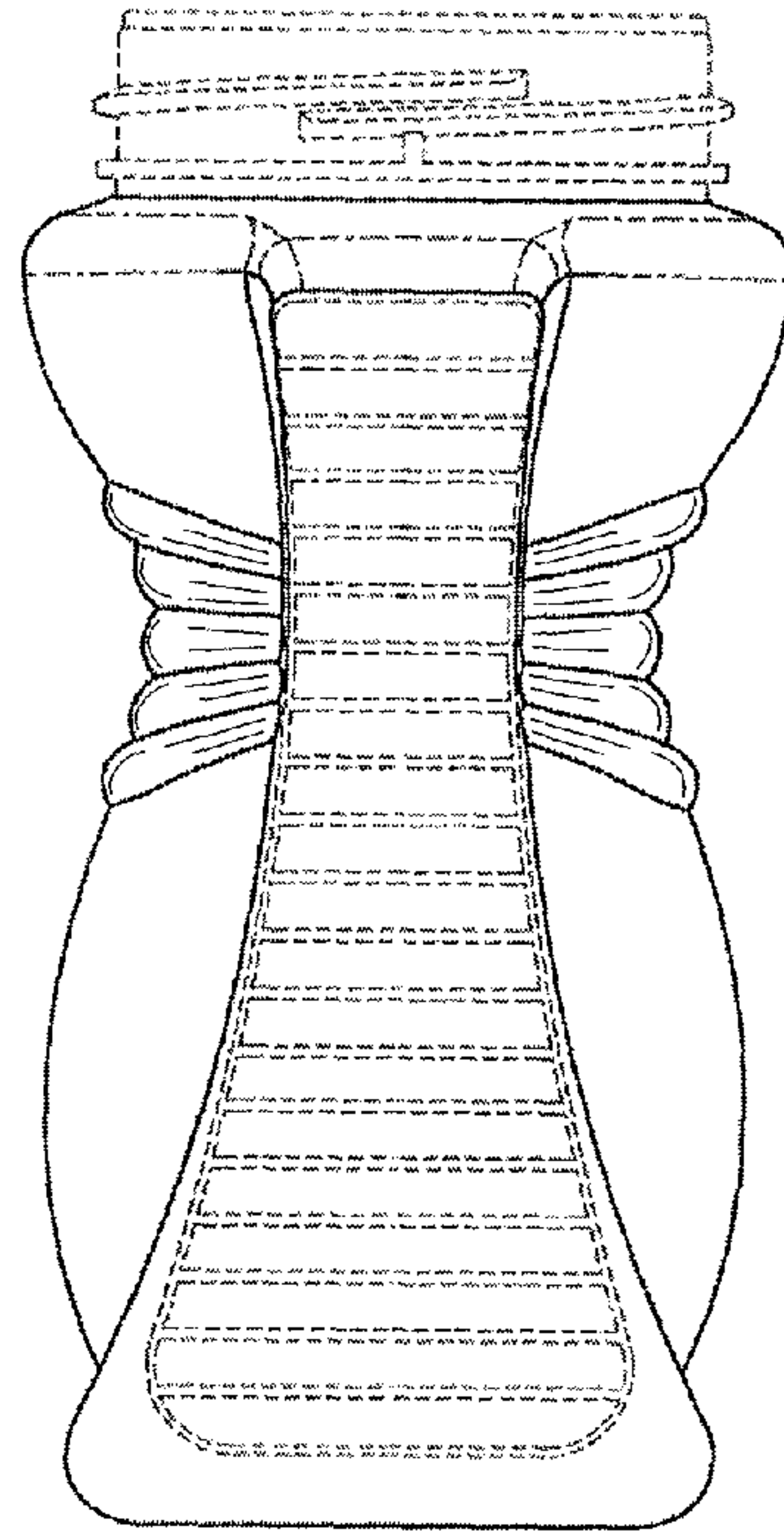


FIG. 3

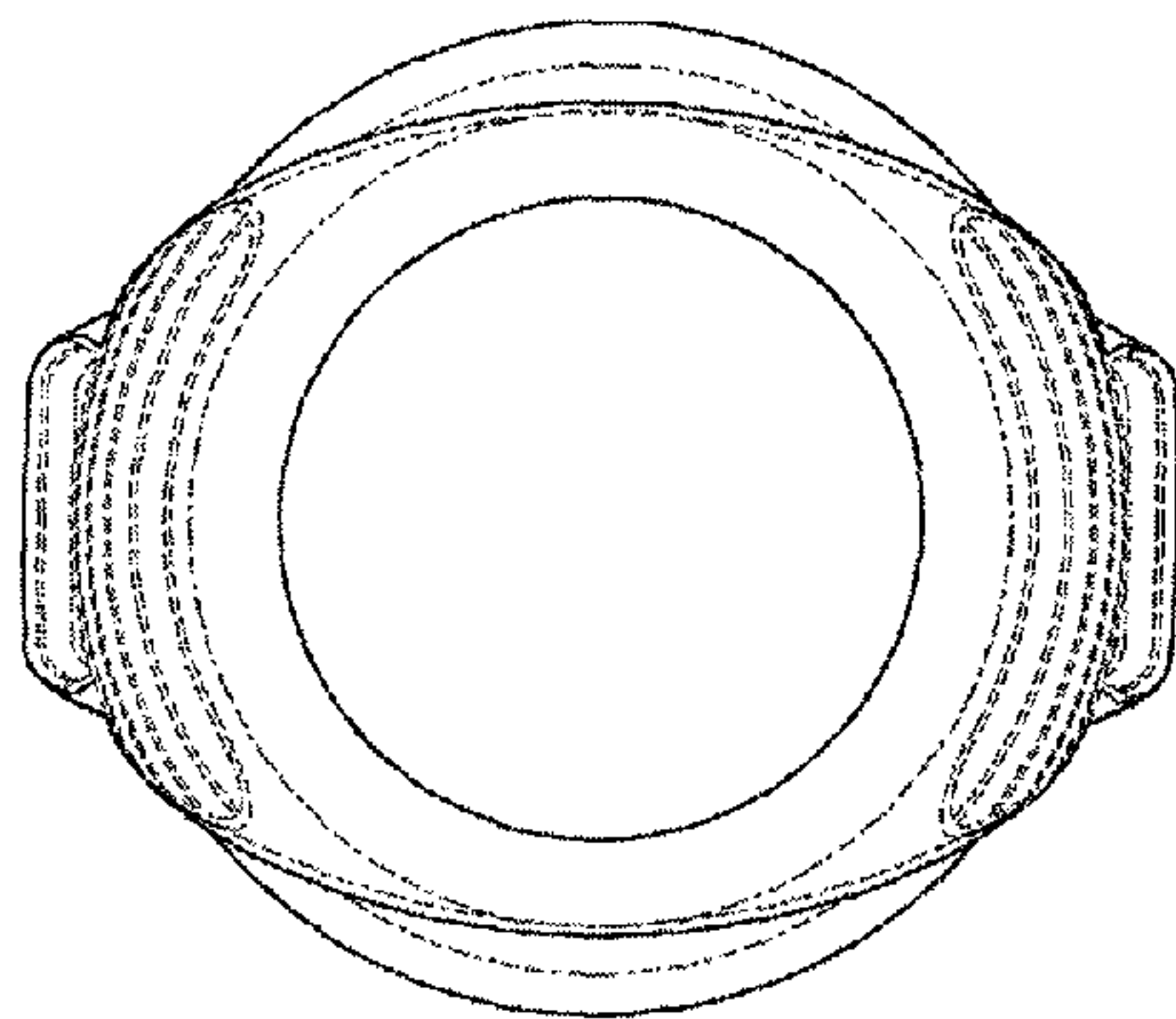


FIG. 4

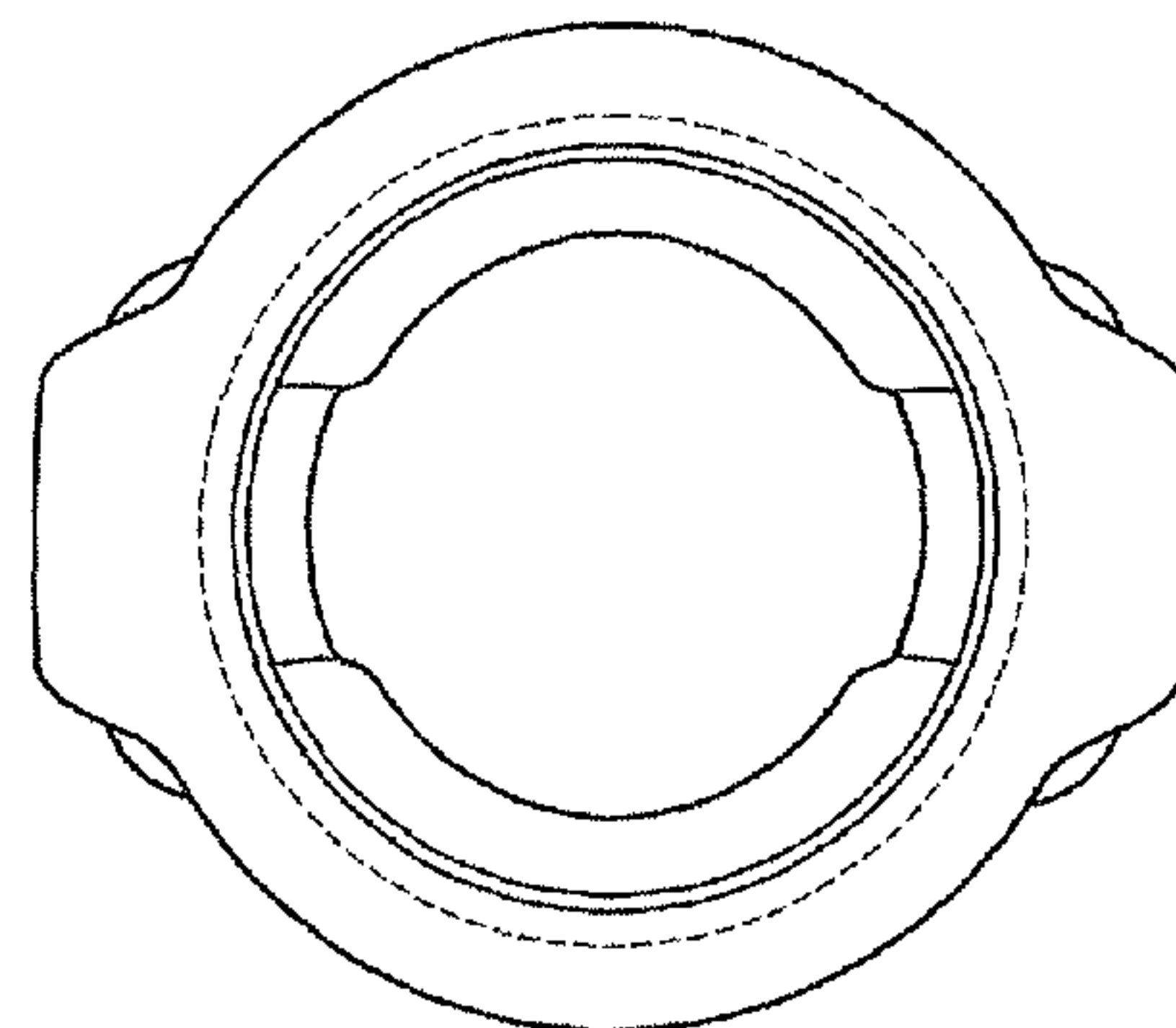


FIG. 5