



US00D683584S

(12) **United States Design Patent**
Gross et al.

(10) **Patent No.:** **US D683,584 S**
(45) **Date of Patent:** **** Jun. 4, 2013**

- (54) **KETTLE**
- (75) Inventors: **Charles Brian Gross**, Greeley, CO (US); **Yu Zhou**, Greeley, CO (US)
- (73) Assignee: **Eternal East (HK) Ltd.**, Hong Kong (HK)
- (**) **Term:** **14 Years**
- (21) Appl. No.: **29/424,648**
- (22) Filed: **Jun. 14, 2012**
- (51) **LOC (9) Cl.** **07-99**
- (52) **U.S. Cl.**
USPC **D7/397; D7/399; D7/321**
- (58) **Field of Classification Search**
USPC D7/316-319, 600, 598, 397, 399, D7/320, 322, 321, 312; 210/85, 251; 222/465.1, 222/108; 215/12.1; 99/303
See application file for complete search history.

D504,273 S *	4/2005	Ancona	D7/322
D528,345 S *	9/2006	Smaldone	D7/322
D529,328 S *	10/2006	Schmidt et al.	D7/322
D568,668 S *	5/2008	Smaldone	D7/322
D574,658 S *	8/2008	Grund et al.	D7/322
D584,100 S *	1/2009	Sehdev	D7/322
D584,560 S *	1/2009	Garzon	D7/321
D626,780 S *	11/2010	Gatto	D7/322

OTHER PUBLICATIONS

Hario Buono V60 Drip Kettle Brochure from website [http://www.hario.jp/catalog/PDF/CC2012_VKB.pdf] showing prior art kettle sold by Hario.

* cited by examiner

Primary Examiner — Marianne Pandozzi
(74) *Attorney, Agent, or Firm* — Margaret Polson; Oppedahl Patent Law Firm LLC

(57) **CLAIM**
The ornamental design of a kettle, as shown and described.

(56) **References Cited**

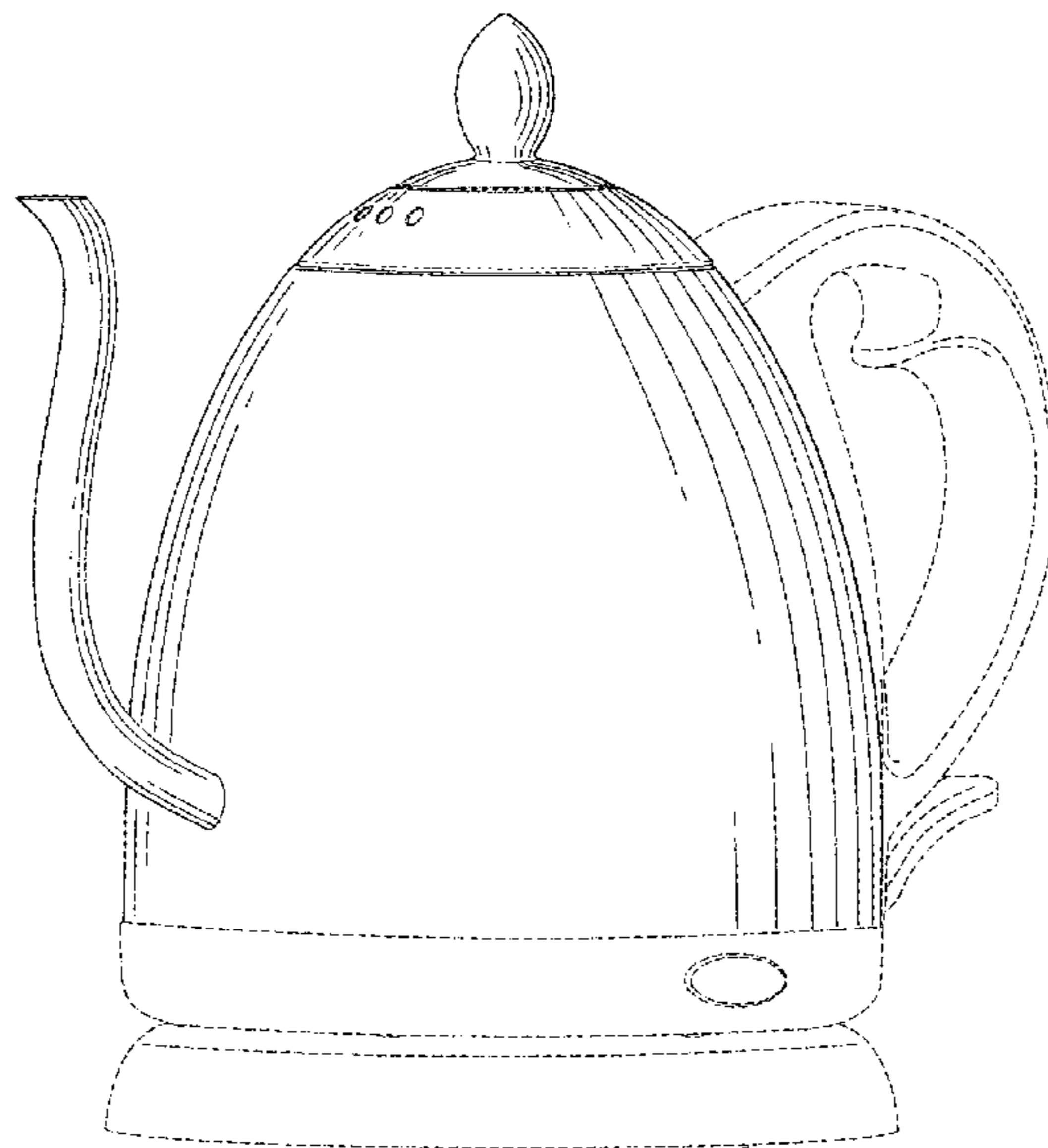
U.S. PATENT DOCUMENTS

1,571,116 A *	1/1926	Green et al.	222/108
1,779,736 A *	10/1930	Harrison	222/129
D119,738 S *	4/1940	Smith	D7/312
2,197,141 A *	4/1940	Belden	220/317
2,266,570 A *	12/1941	Searls	222/88
2,284,087 A *	5/1942	Ferguson	99/295
3,360,818 A *	1/1968	Edwards	15/104.16
3,939,550 A *	2/1976	Winslow	29/458
3,974,758 A *	8/1976	Stone, Jr.	99/275
D251,171 S *	2/1979	Umanoff	D7/320
4,181,071 A *	1/1980	Outlaw	99/317
D308,314 S *	6/1990	Ancona et al.	D7/322
5,396,878 A *	3/1995	Quist	126/373.1
D444,202 S *	6/2001	Chigounis	D22/132
D486,989 S *	2/2004	Bodum	D7/321

DESCRIPTION

FIG. 1 is a front perspective view of our new design for a kettle.
FIG. 2 is a front elevation view of in FIG. 1.
FIG. 3 is a back elevation view of FIG. 1.
FIG. 4 is a left side elevation view FIG. 1
FIG. 5 is a right side elevation view of FIG. 1.
FIG. 6 is a top plan view of FIG. 1; and,
FIG. 7 is a bottom plan view of FIG. 1.
The features shown in broken lines in the drawing depict environmental subject matter only and form on part of the claimed design.

1 Claim, 5 Drawing Sheets



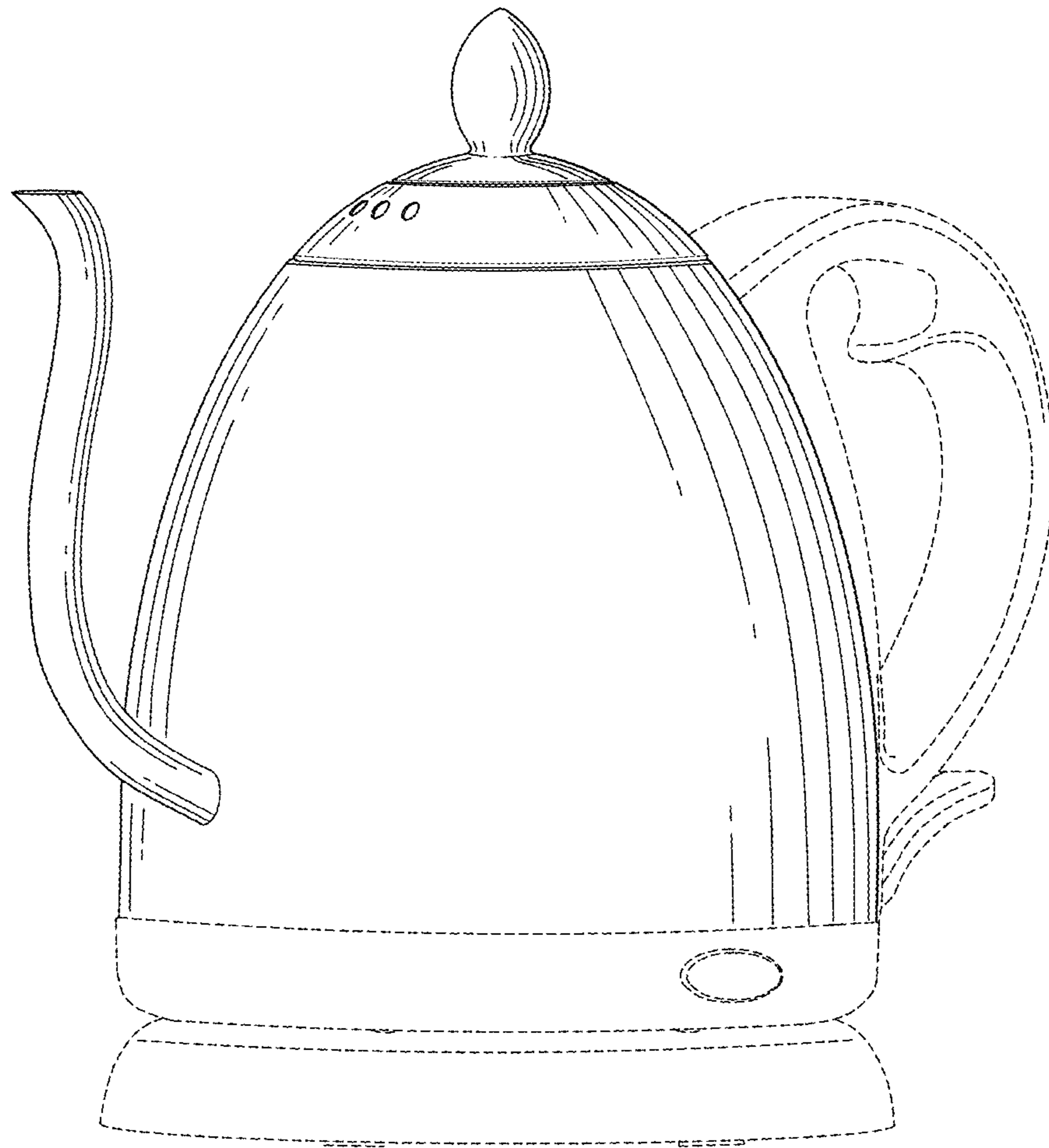


FIG.1

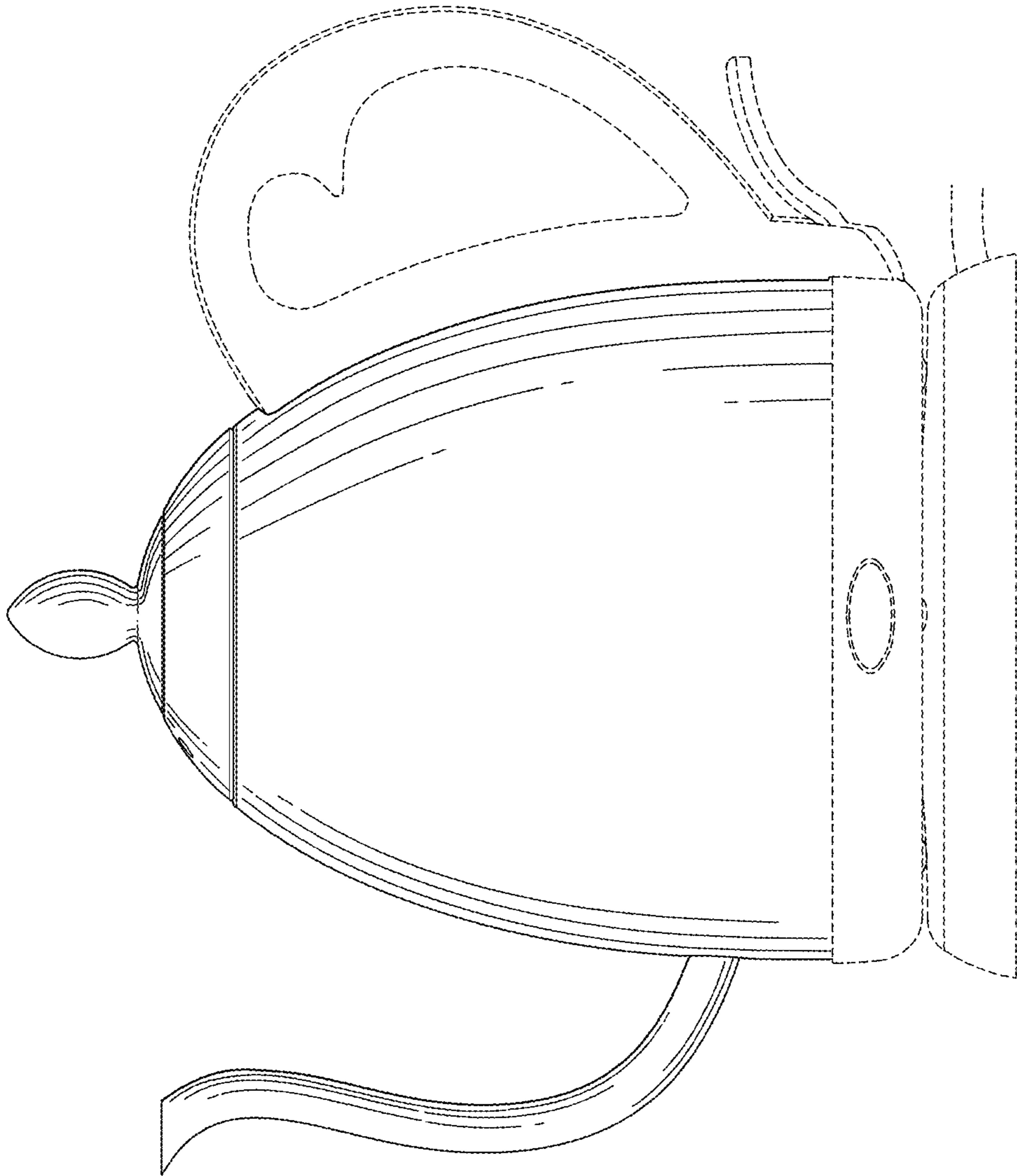


FIG. 2

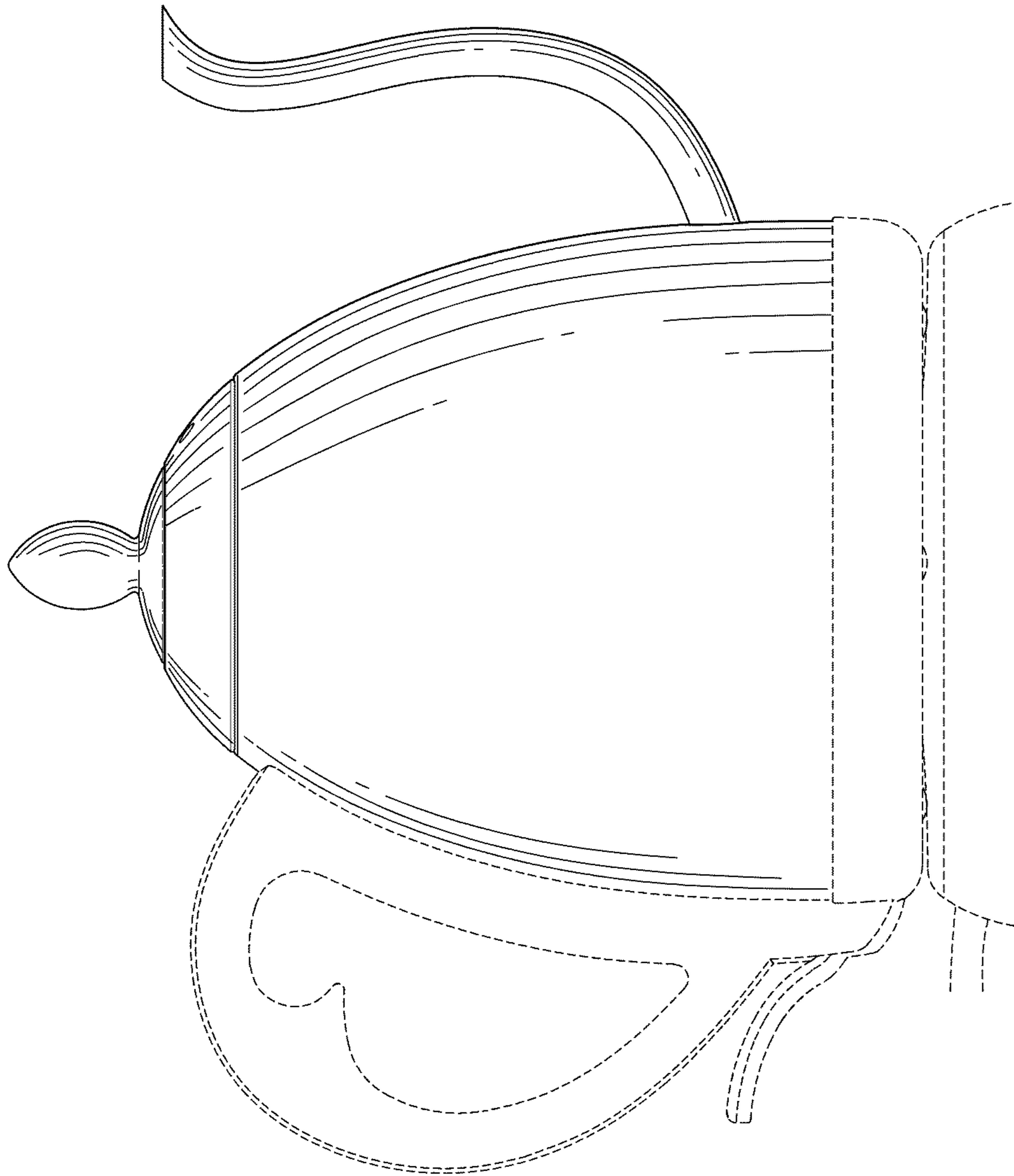


FIG.3

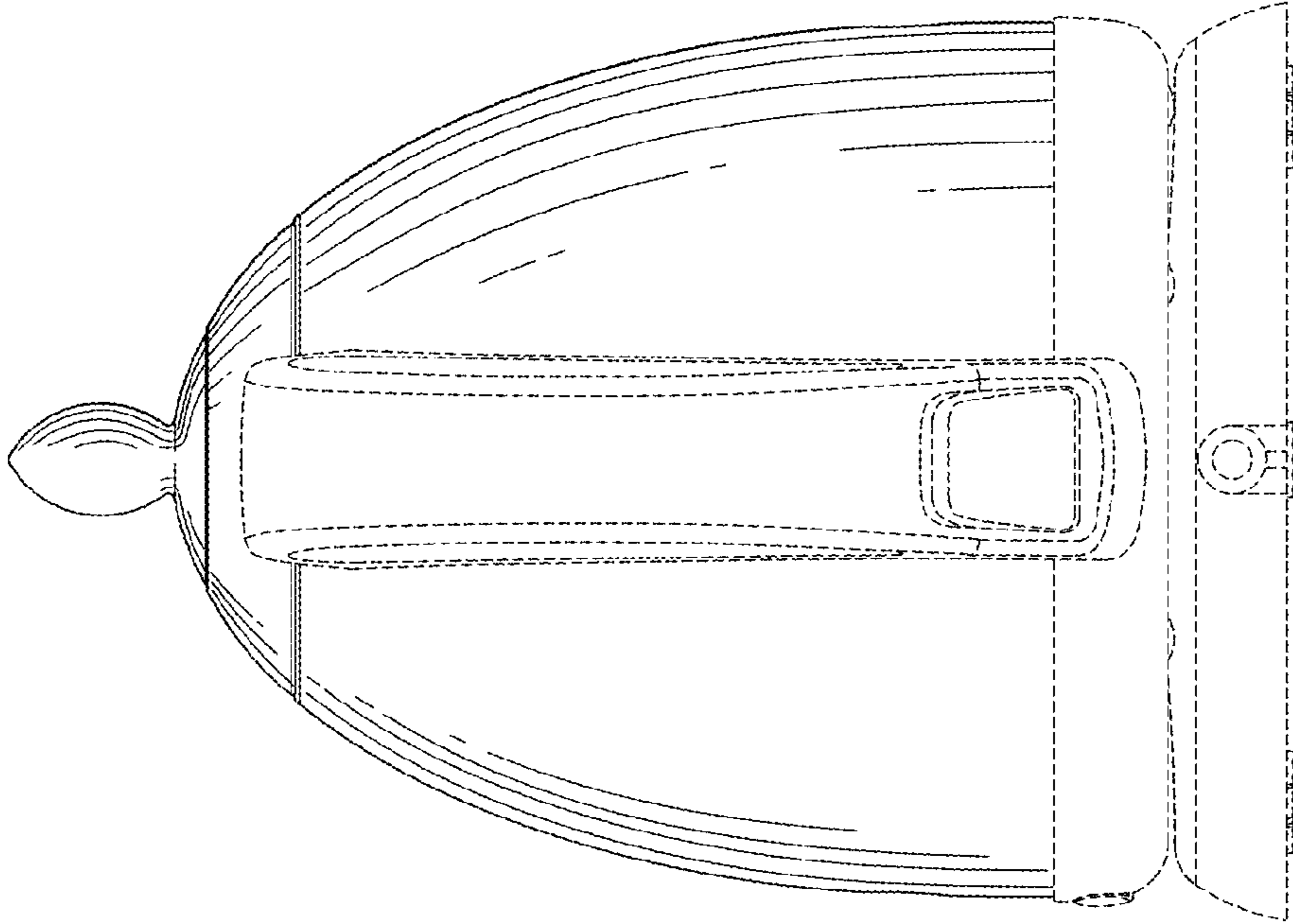


FIG.5

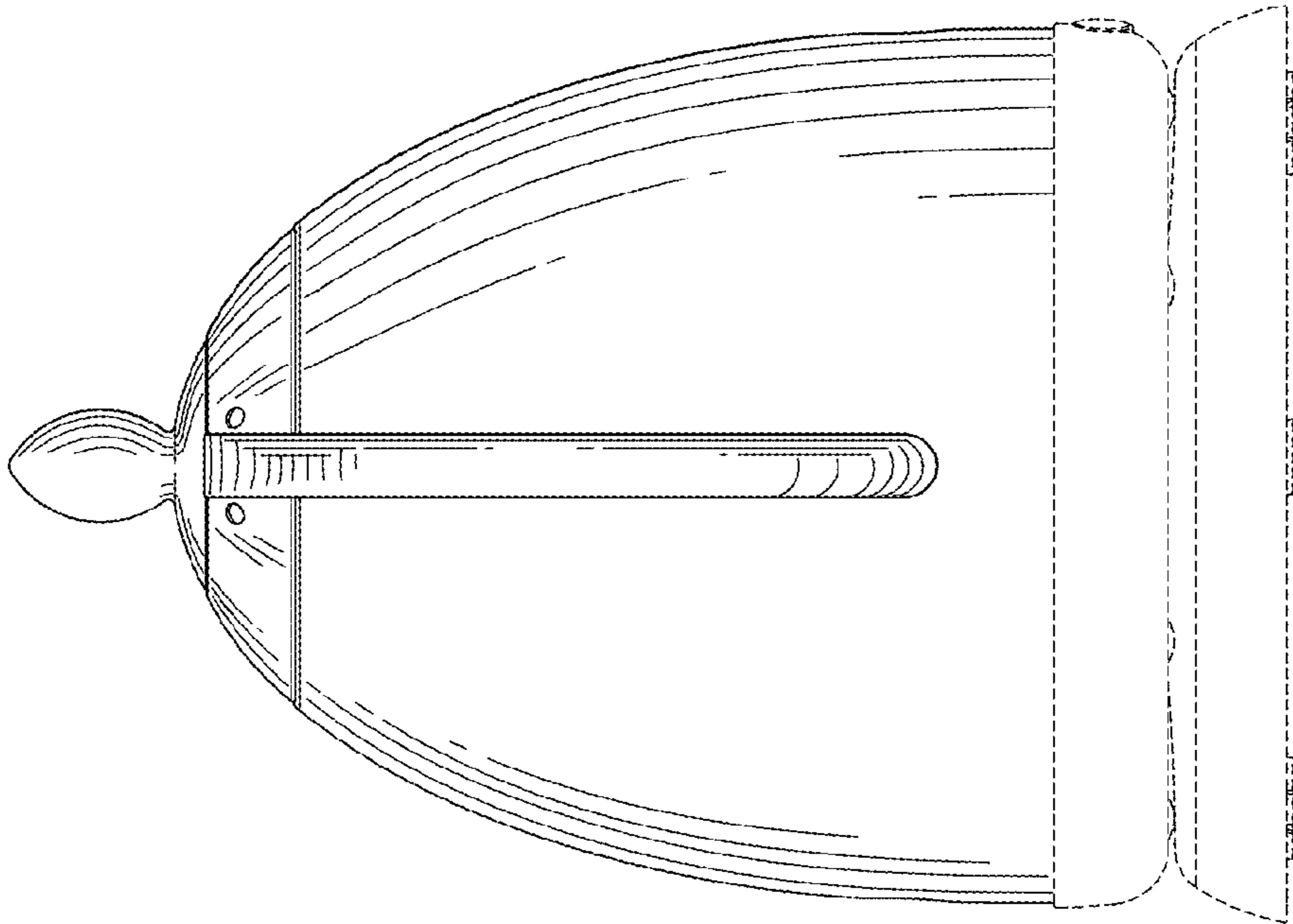


FIG.4

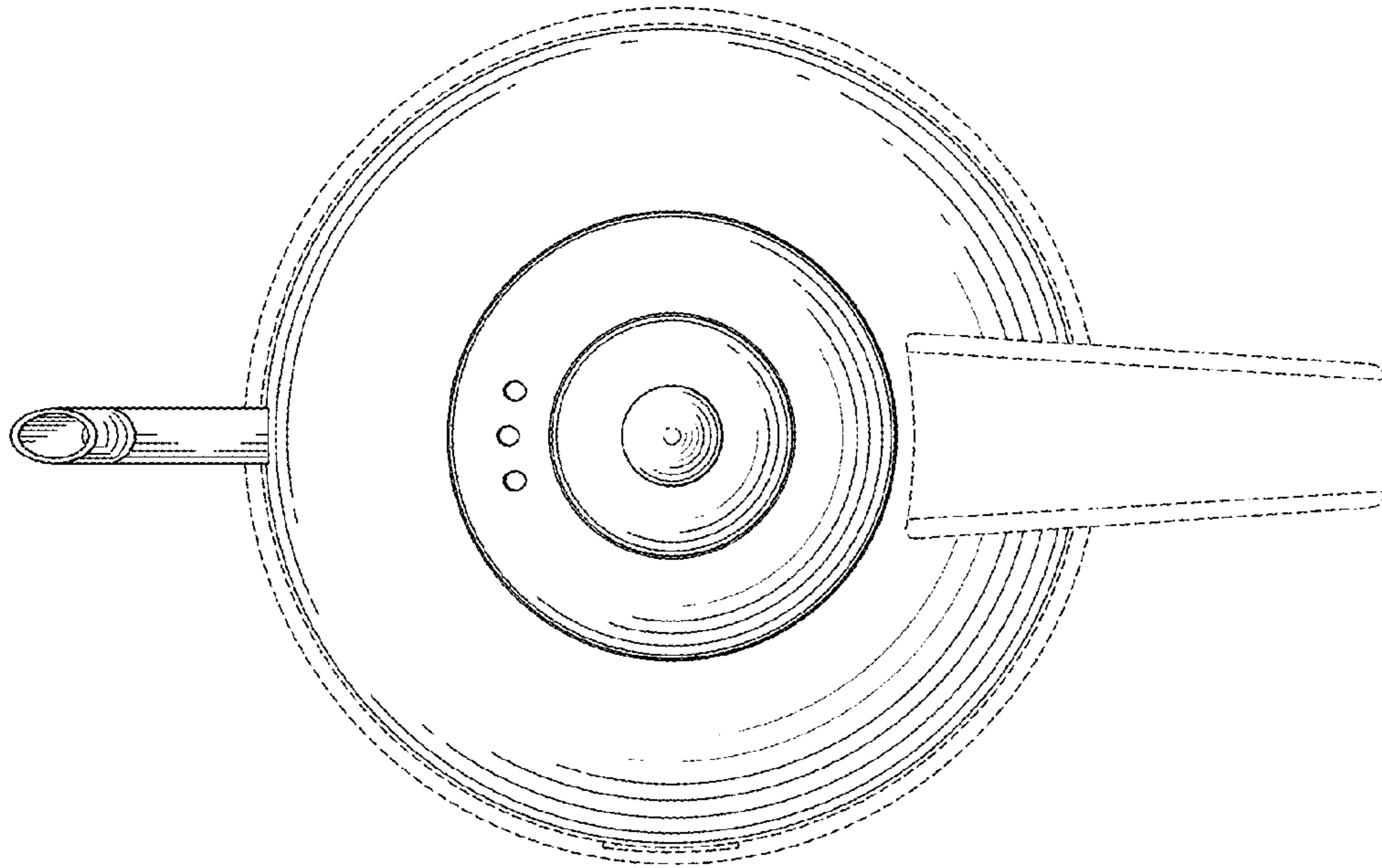


FIG. 6

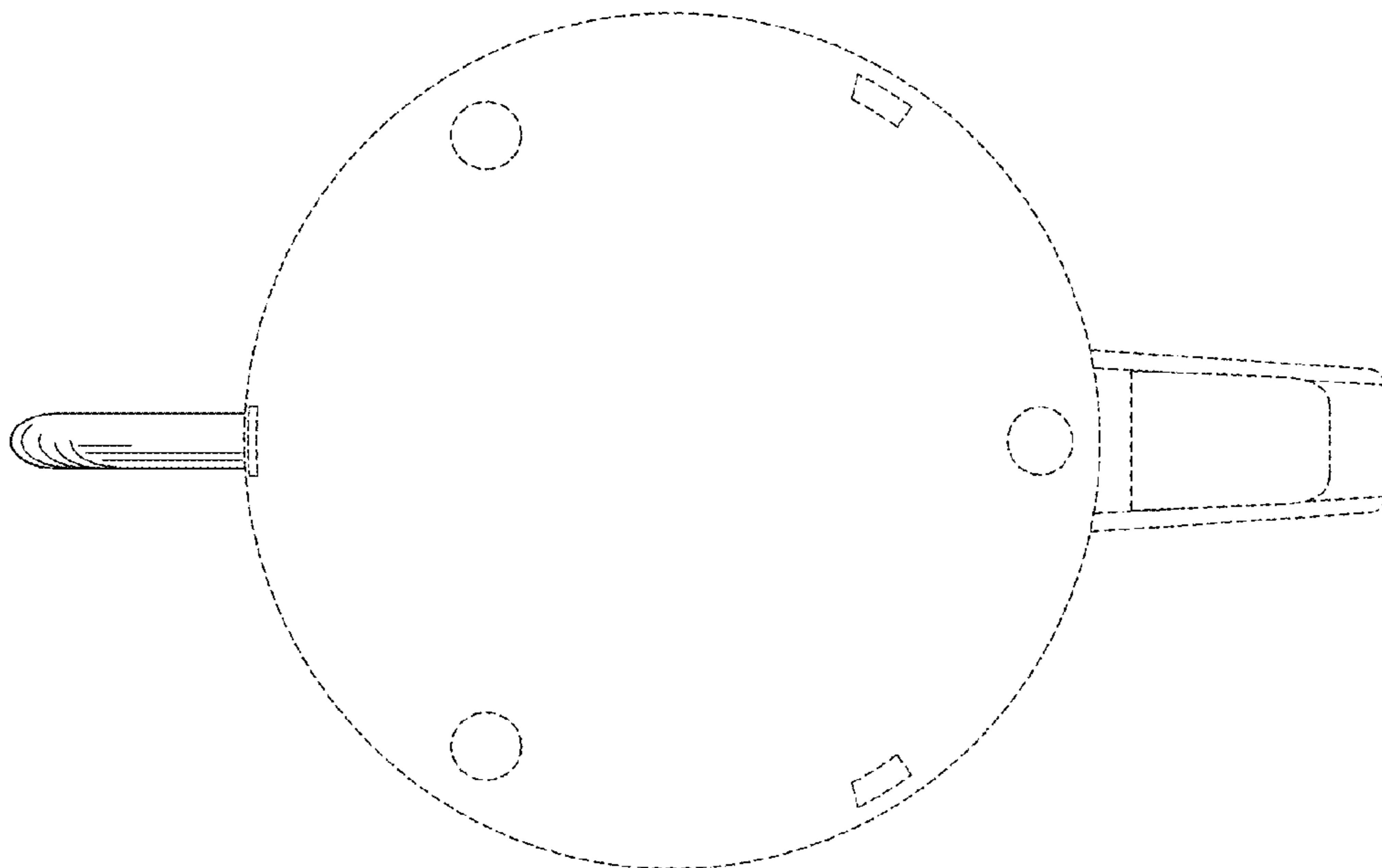


FIG. 7