



US00D683583S

(12) **United States Design Patent**
Hone

(10) **Patent No.:** **US D683,583 S**
(45) **Date of Patent:** **** Jun. 4, 2013**

- (54) **THERMAL INSERT**
- (75) Inventor: **Todd Hone**, Spokane, WA (US)
- (73) Assignee: **Zak Designs, Inc.**, Spokane, WA (US)
- (**) Term: **14 Years**
- (21) Appl. No.: **29/395,354**
- (22) Filed: **Jan. 6, 2012**
- (51) **LOC (9) Cl.** **07-99**
- (52) **U.S. Cl.**
USPC **D7/396.2; D7/397**
- (58) **Field of Classification Search**
USPC D7/608, 605, 396.2, 397, 387; 62/56,
62/457.3; 215/12.1, 6; D15/90, 79; 126/115
See application file for complete search history.

7,093,459	B2 *	8/2006	Citrynell et al.	62/457.3
D550,725	S *	9/2007	Kingsley	D15/90
D559,870	S *	1/2008	Conlon et al.	D15/90
7,802,446	B2 *	9/2010	Overgaard	62/457.3
7,862,841	B1 *	1/2011	Boyd	426/115
D634,158	S *	3/2011	Roth et al.	D7/396.2
7,896,180	B2 *	3/2011	Kenney	215/6
7,942,145	B2 *	5/2011	Palena et al.	126/263.03
7,997,099	B2 *	8/2011	Roth et al.	62/457.3
7,998,397	B2 *	8/2011	Tilton et al.	264/531
8,051,674	B2 *	11/2011	Roth et al.	62/457.3
8,123,055	B2 *	2/2012	Loving	215/12.1

* cited by examiner

Primary Examiner — Marianne Pandozzi
(74) *Attorney, Agent, or Firm* — Paine Hamblett, LLP

(57) **CLAIM**
The ornamental design for a thermal insert, as shown and described.

(56) **References Cited**

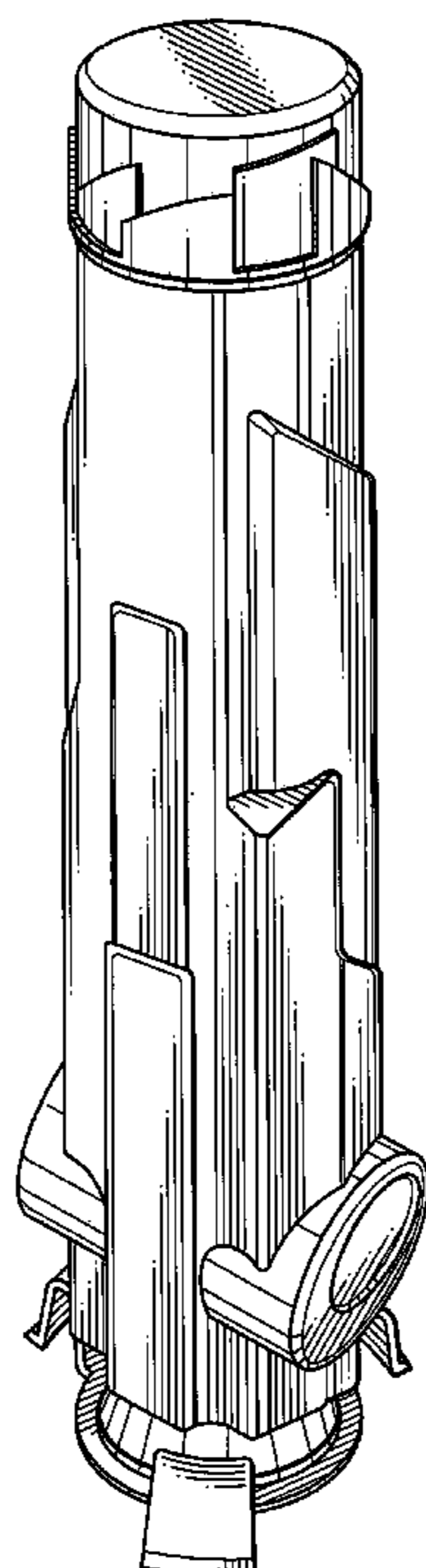
U.S. PATENT DOCUMENTS

3,331,522	A *	7/1967	Bridges	215/12.1
5,201,193	A *	4/1993	Sundhar et al.	62/293
5,272,890	A *	12/1993	Penxa	62/457.4
5,357,761	A *	10/1994	Schauer	62/56
D357,924	S *	5/1995	Miller et al.	D15/79
5,467,877	A *	11/1995	Smith	215/11.1
5,597,087	A *	1/1997	Vinarsky	220/482
5,609,039	A *	3/1997	Green et al.	62/457.3
D408,423	S *	4/1999	Fløysovik	D15/79
6,103,280	A *	8/2000	Molzahn et al.	426/109
6,330,955	B2 *	12/2001	Easler, Sr.	220/507
6,415,624	B1 *	7/2002	Connors et al.	62/457.3
D472,563	S *	4/2003	Roth et al.	D15/90
6,622,516	B1 *	9/2003	Horen	62/457.4
D492,600	S *	7/2004	Moore	D9/503
7,082,784	B2 *	8/2006	Roth et al.	62/457.2

DESCRIPTION

FIG. 1 is a perspective view of a thermal insert showing my new design;
FIG. 2 is a side elevation view thereof;
FIG. 3 is a side elevation view thereof, and which is taken from a position opposite to that which is seen in FIG. 2;
FIG. 4 is a side elevation view thereof, and which is taken from a position approximately 90 degrees offset from that seen in FIG. 2;
FIG. 5 is a side elevation view thereof, and which is taken from a position opposite to that seen in FIG. 4;
FIG. 6 is a bottom plan view thereof; and,
FIG. 7 is a top plan view thereof.

1 Claim, 6 Drawing Sheets



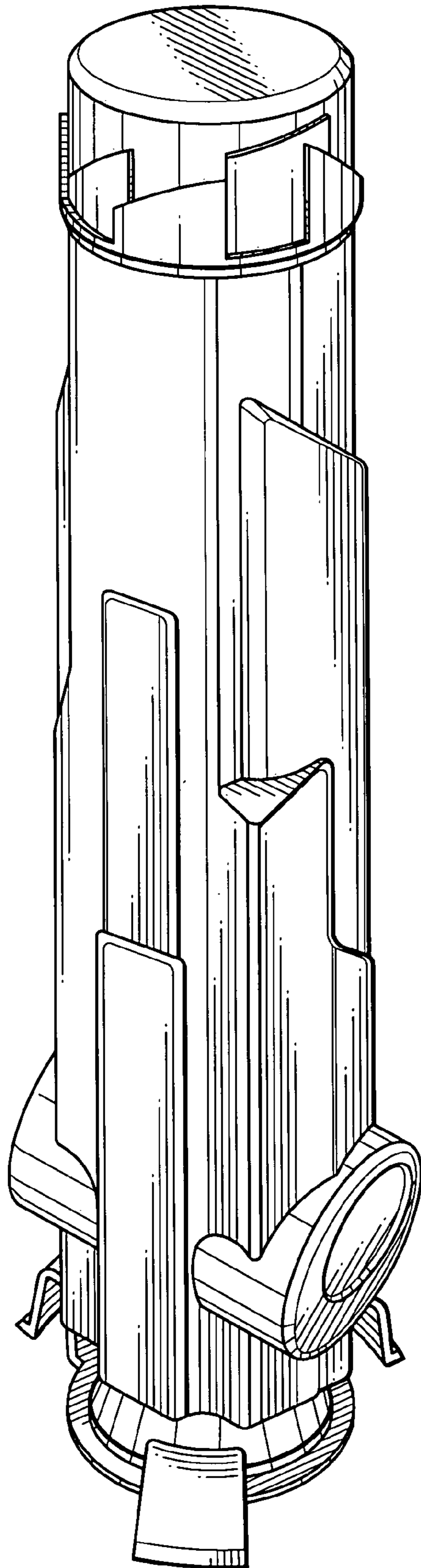
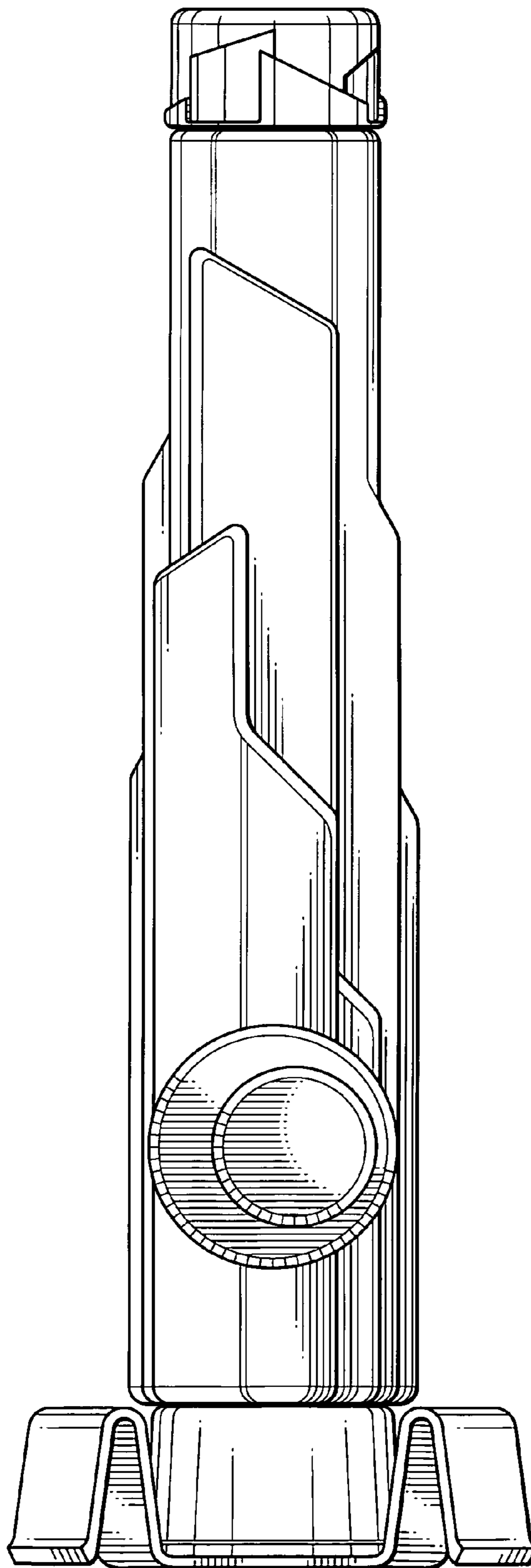


FIG. 1

FIG. 2



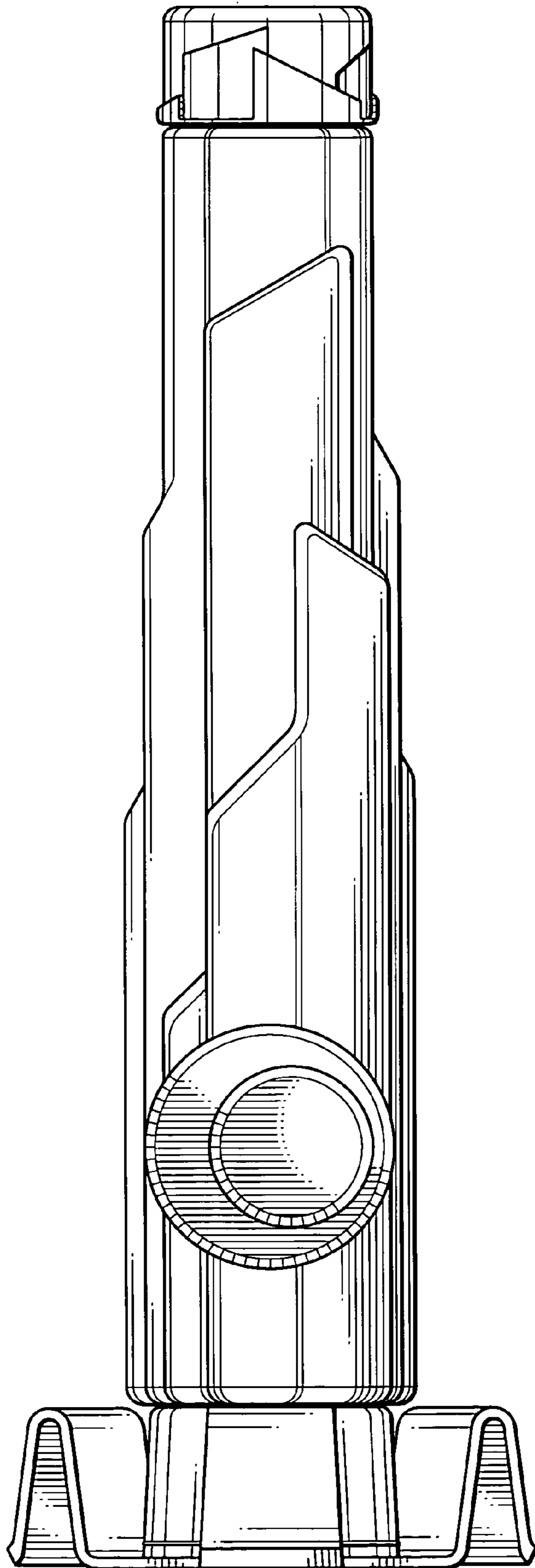
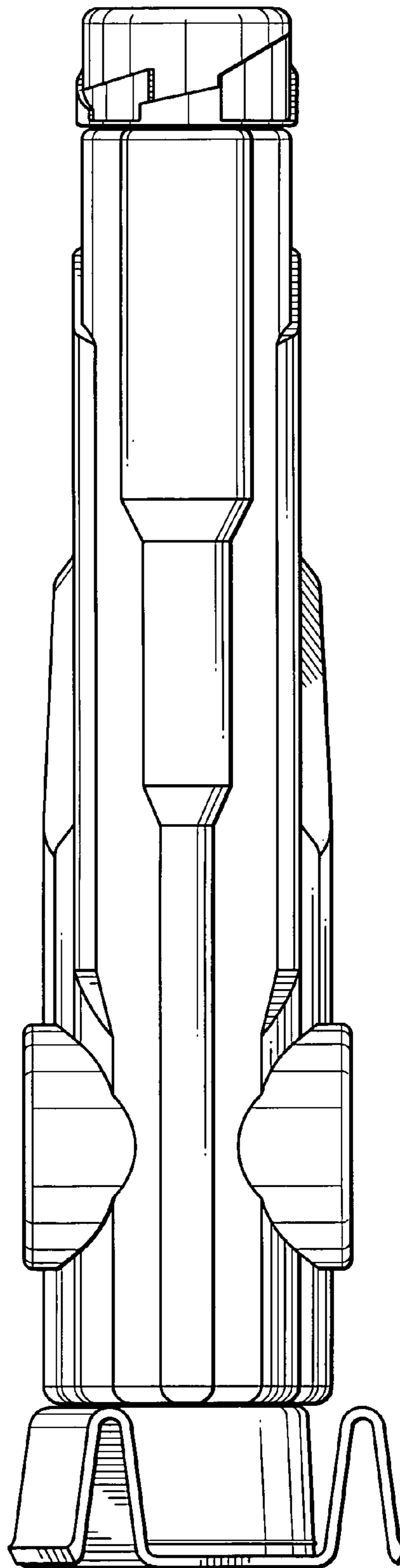


FIG. 3

FIG. 4



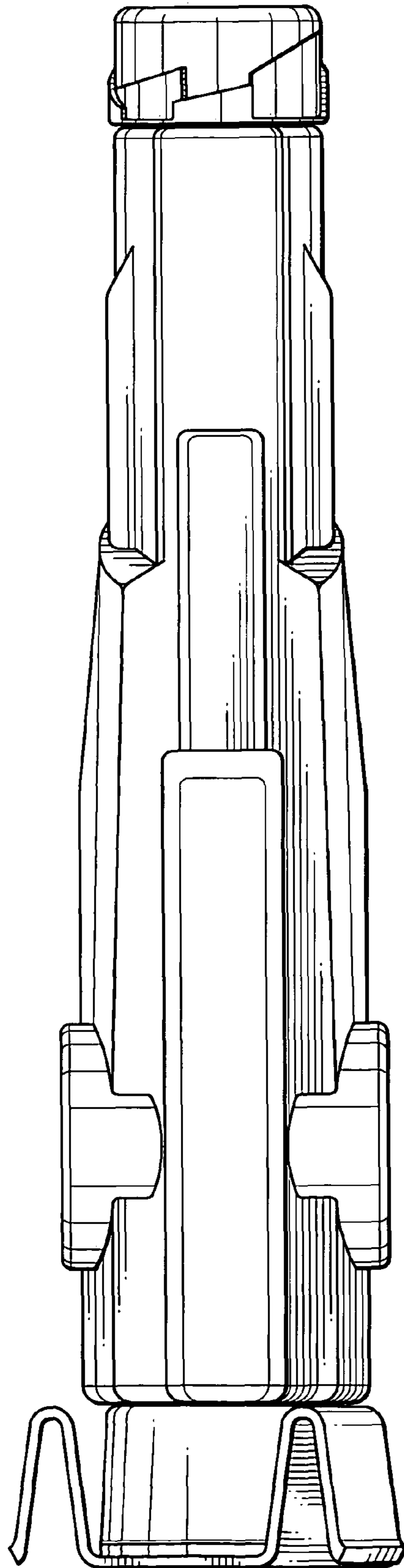


FIG. 5

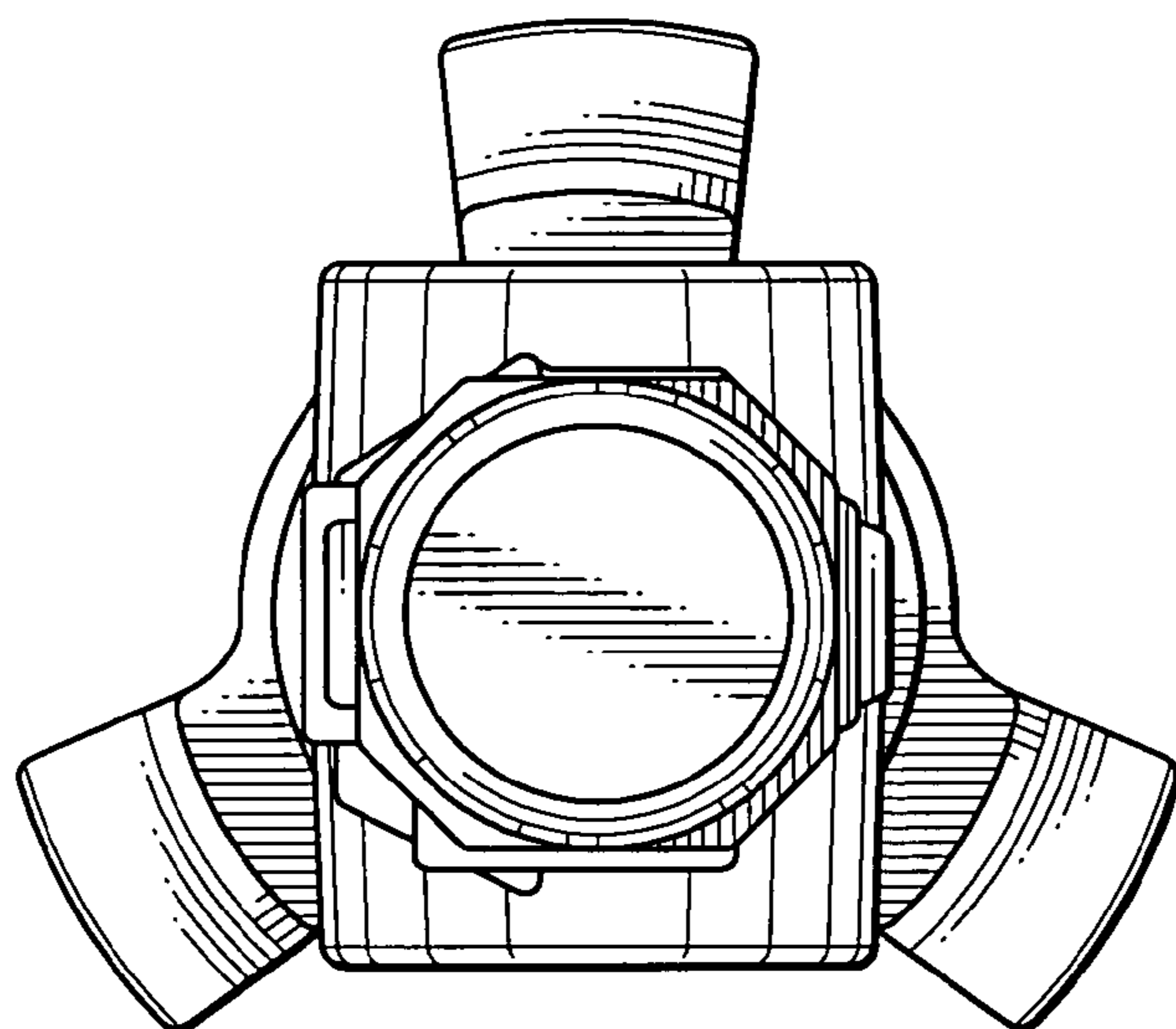


FIG. 6

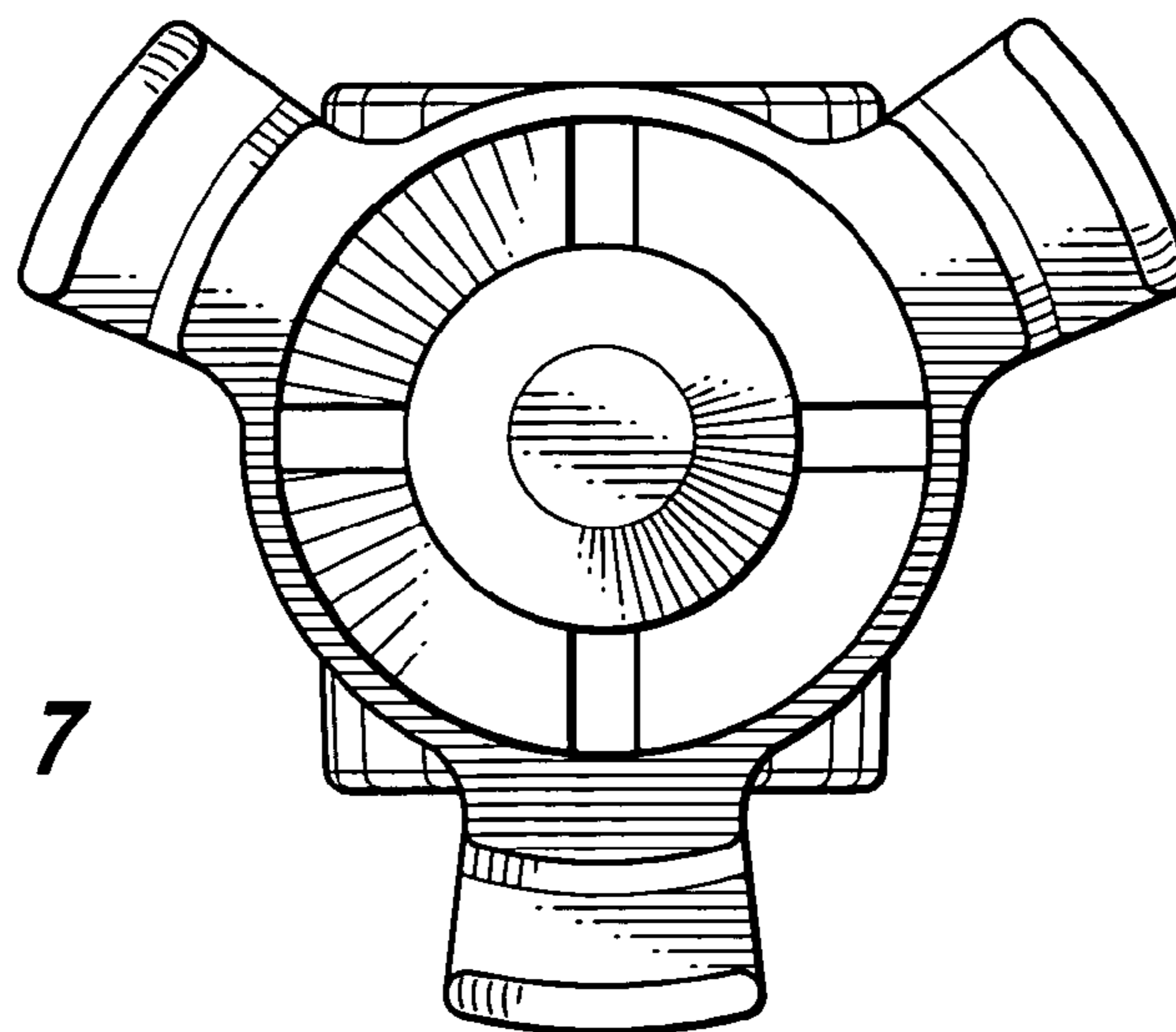


FIG. 7