



US00D683581S

(12) **United States Design Patent**
Archer

(10) **Patent No.:** **US D683,581 S**

(45) **Date of Patent:** **** Jun. 4, 2013**

(54) **WATER BOTTLE CAP**

(76) Inventor: **Virgil L. Archer**, Englewood, CO (US)

(**) Term: **14 Years**

(21) Appl. No.: **29/374,883**

(22) Filed: **Oct. 21, 2011**

(51) **LOC (9) Cl.** **07-02**

(52) **U.S. Cl.**
USPC **D7/392.1; D9/443; D9/447; D9/449;**
D9/450

(58) **Field of Classification Search**
USPC D7/391, 392, 392.1, 396.2, 509-511,
D7/523, 608, 900; D9/443, 446, 447, 449,
D9/450, 453, 505; 215/11.6, 44, 224, 229,
215/306, 311; 220/3.75, 23.83, 212.5, 292,
220/714, 705; 222/83, 420, 450, 530, 543
See application file for complete search history.

(56) **References Cited**

U.S. PATENT DOCUMENTS

3,907,179	A *	9/1975	Pehr et al.	222/513
D351,761	S *	10/1994	Feer	D7/510
D369,943	S *	5/1996	Dark	D7/392.1
D393,569	S *	4/1998	Lai et al.	D7/392
D518,335	S *	4/2006	Naft et al.	D7/608
D543,776	S *	6/2007	Yelland	D7/392.1
D584,566	S *	1/2009	Fuller	D7/396.2
D592,905	S *	5/2009	Pinelli et al.	D7/396.2

D592,913	S *	5/2009	Pinelli et al.	D7/608
D604,565	S *	11/2009	Roth et al.	D7/629
D626,837	S *	11/2010	Meyers et al.	D9/443
D632,522	S *	2/2011	Wahl et al.	D7/392.1
D634,161	S *	3/2011	Roth et al.	D7/510
D634,972	S *	3/2011	Staton	D7/392.1
D652,256	S *	1/2012	Eyal	D7/510
D653,081	S *	1/2012	George	D7/510
D657,618	S *	4/2012	Wahl	D7/392.1
D669,732	S *	10/2012	Hopkins et al.	D7/392.1
D669,733	S *	10/2012	Jewett et al.	D7/392.1
D671,359	S *	11/2012	Windmiller	D7/392.1
2008/0237233	A1 *	10/2008	Choi et al.	220/212.5
2010/0193462	A1 *	8/2010	Roth et al.	215/229

* cited by examiner

Primary Examiner — Susan E Krakower
(74) *Attorney, Agent, or Firm* — Edwin H. Crabtree; Ramon L. Pizarro

(57) **CLAIM**

The ornamental design for a water bottle cap, as shown and described.

DESCRIPTION

FIG. 1 is a perspective view of the subject water bottle cap illustrating my new design;

FIG. 2 is a side view of the water bottle cap;

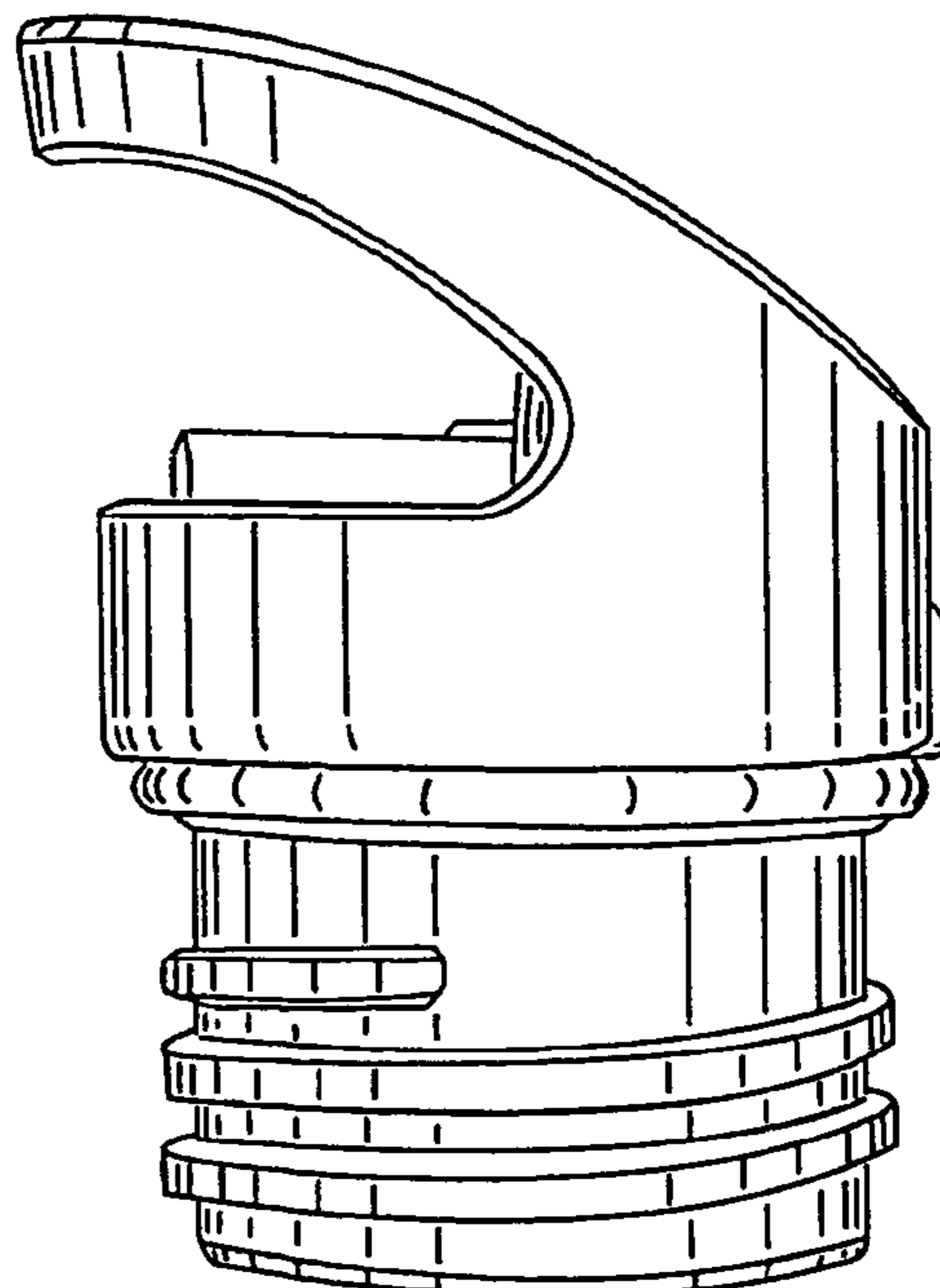
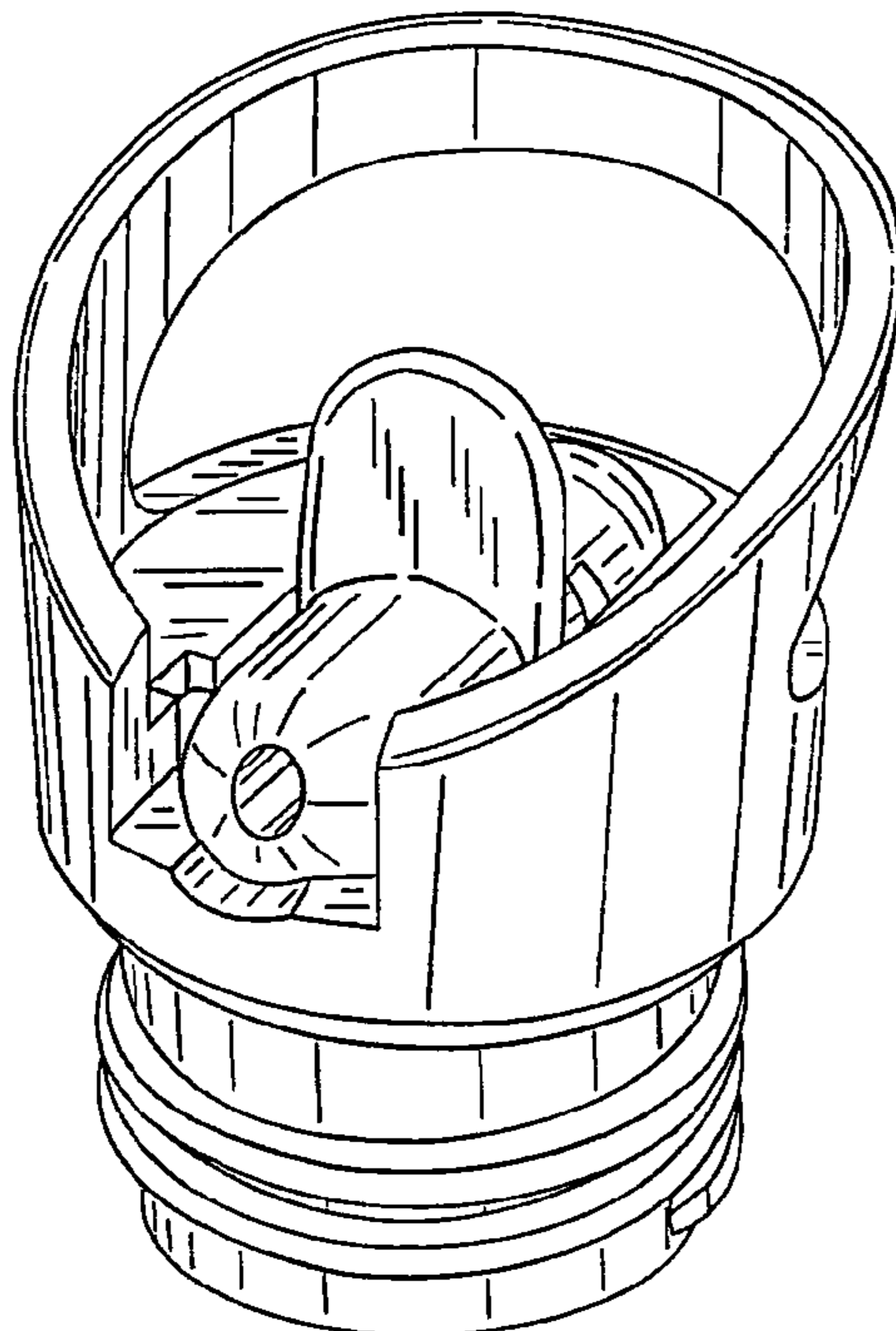
FIG. 3 is an opposite side view of the water bottle cap;

FIG. 4 is a front view of the water bottle cap;

FIG. 5 is a rear view of the water bottle cap; and,

FIG. 6 is a top view of the water bottle cap.

1 Claim, 2 Drawing Sheets



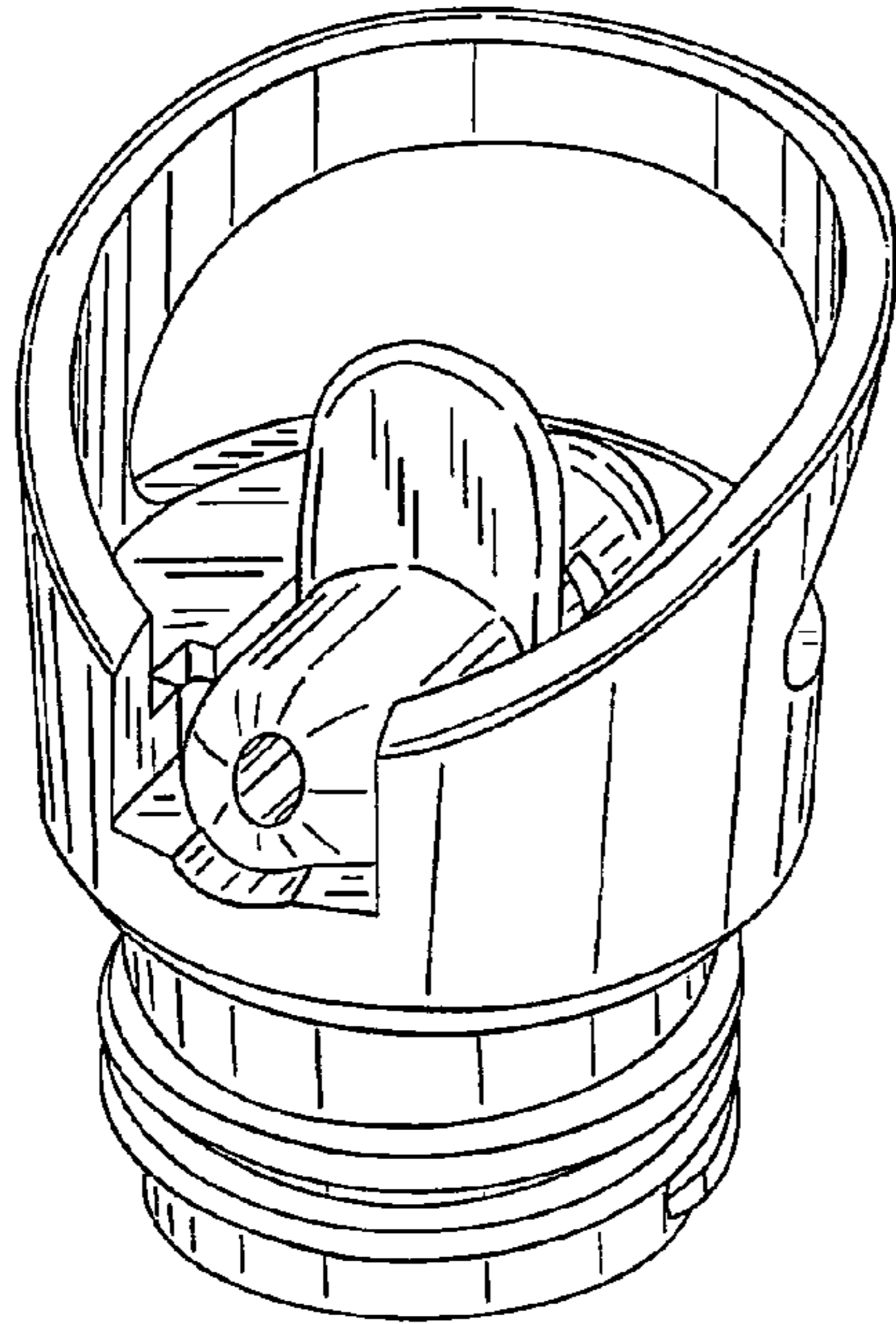


FIG. 1

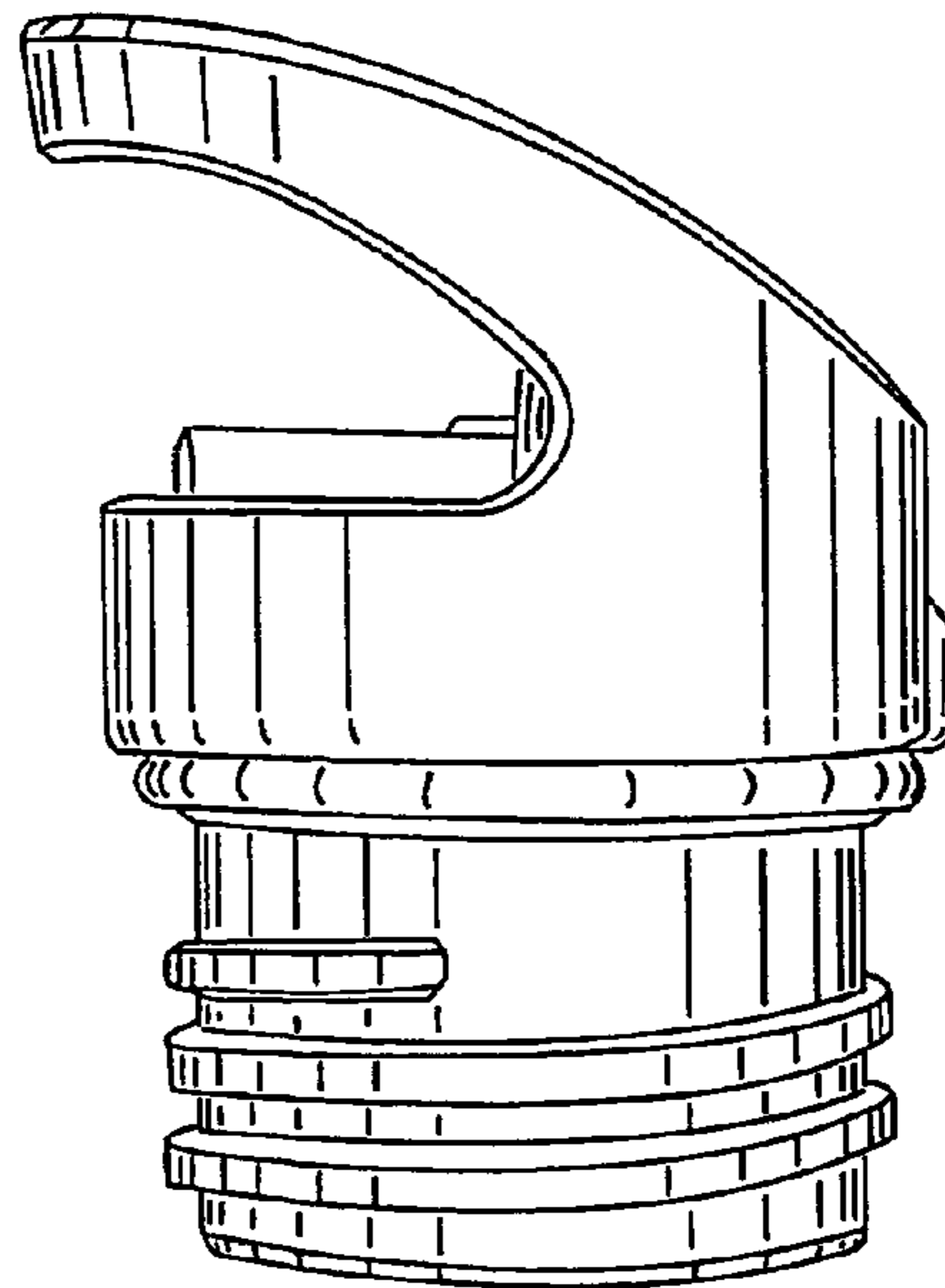


FIG. 2

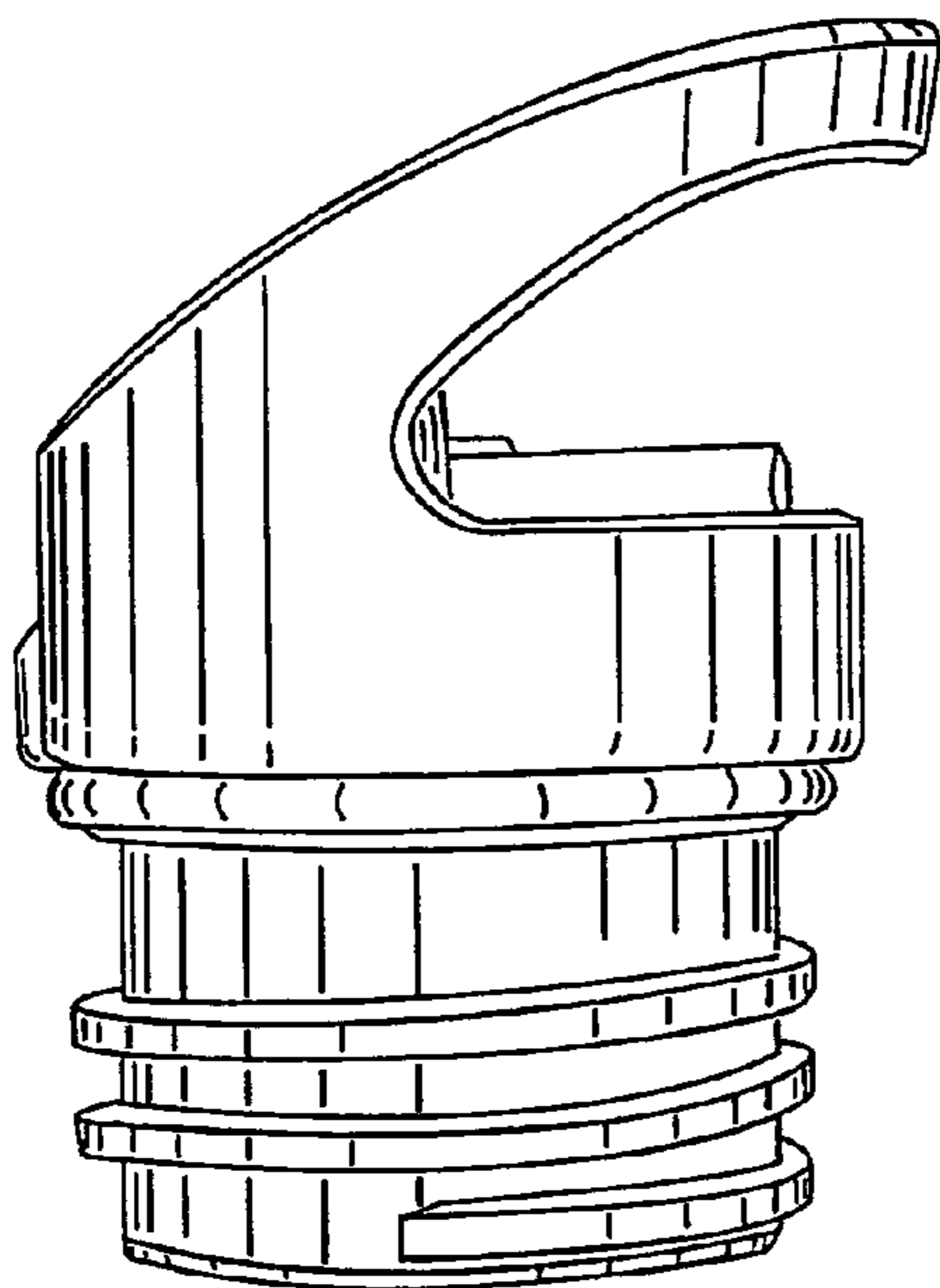


FIG. 3

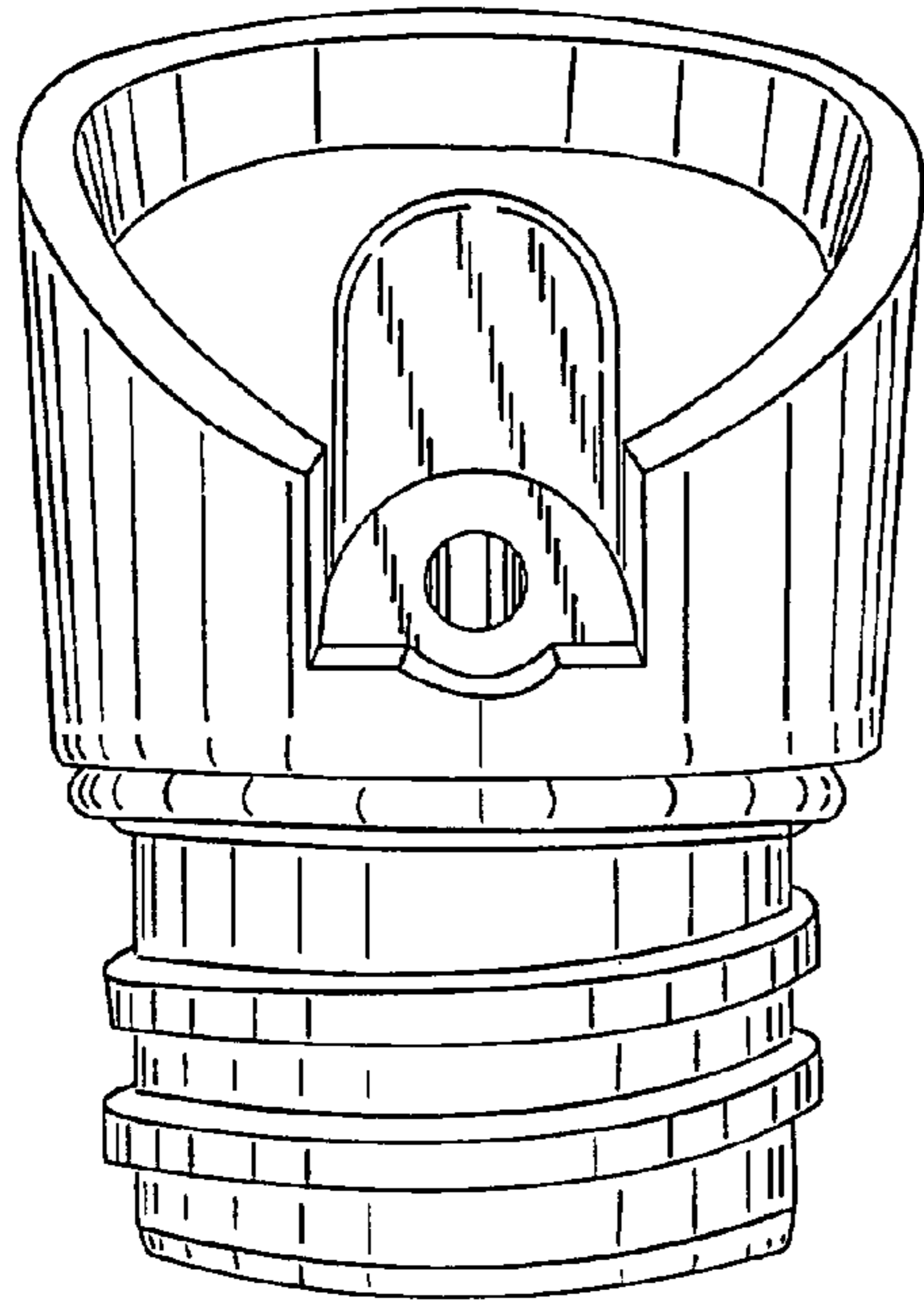


FIG. 4

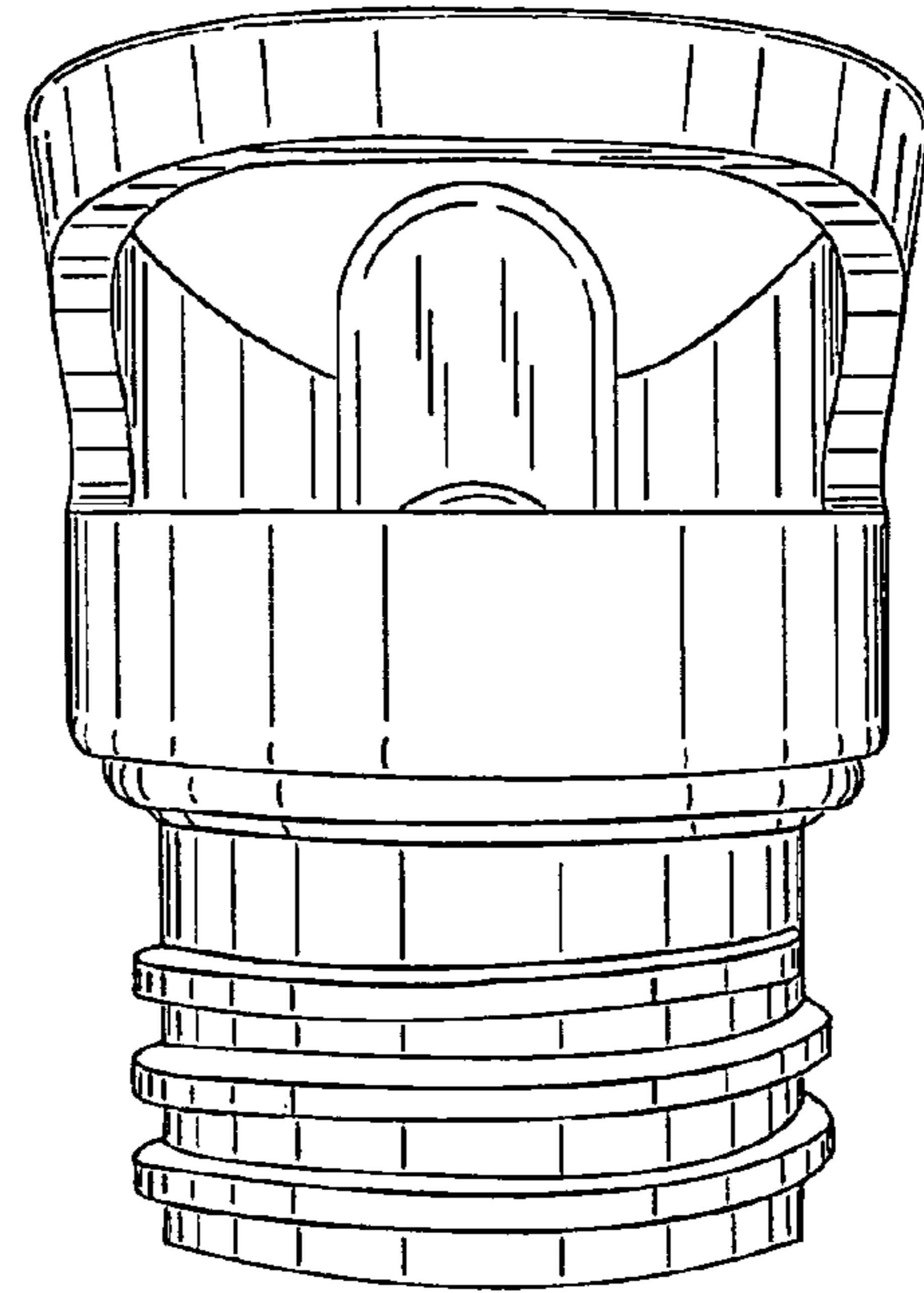


FIG. 5

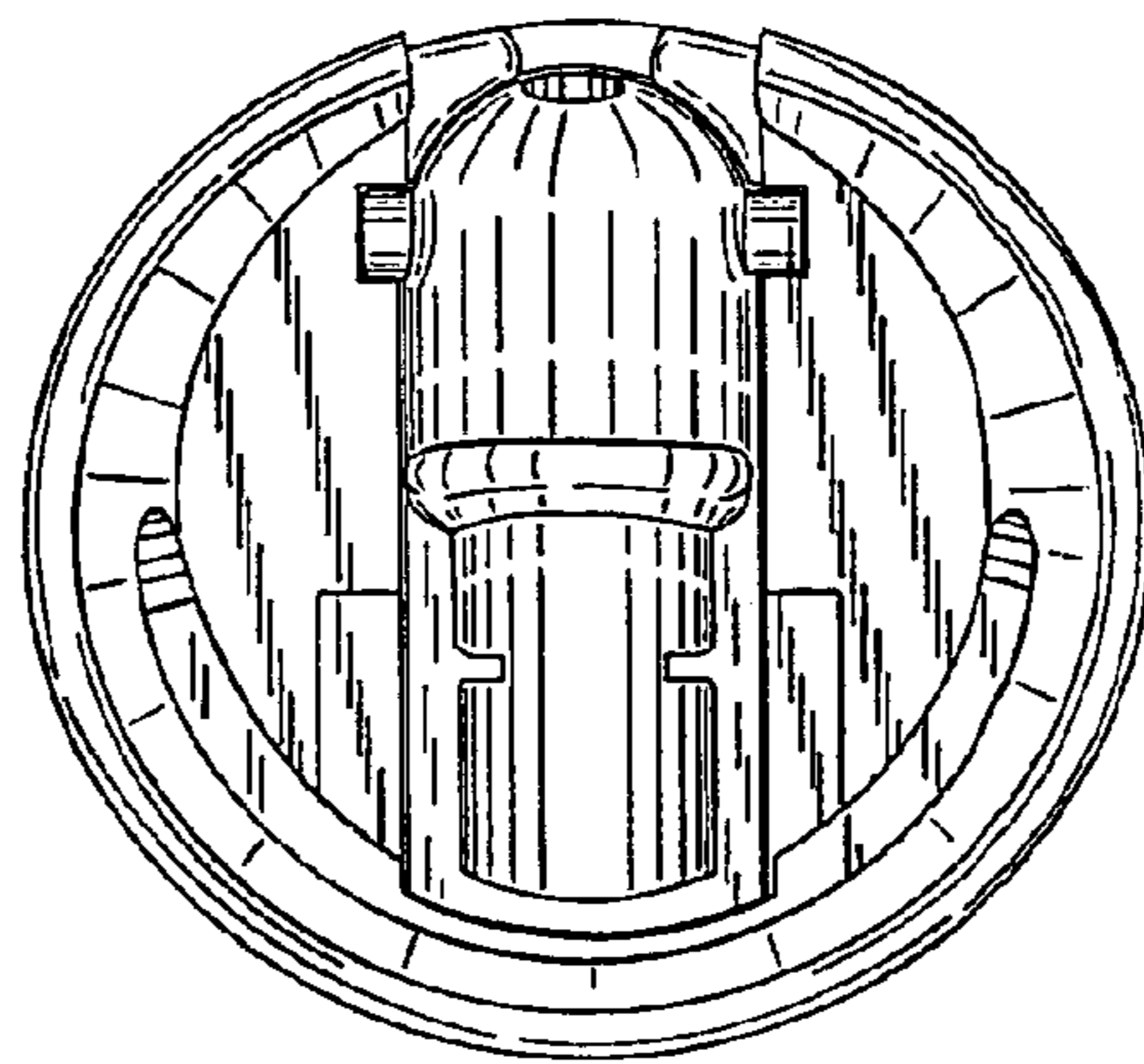


FIG. 6