



US00D683580S

(12) **United States Design Patent**  
**Rosenfeld**

(10) **Patent No.:** **US D683,580 S**  
(45) **Date of Patent:** **\*\* Jun. 4, 2013**

(54) **CARAFE LID**

(71) Applicant: **Vendetta Vending Solutions LLC**, Los Angeles, CA (US)

(72) Inventor: **Abraham Rosenfeld**, Los Angeles, CA (US)

(\*\*) Term: **14 Years**

(21) Appl. No.: **29/435,654**

(22) Filed: **Oct. 26, 2012**

**Related U.S. Application Data**

(62) Division of application No. 29/392,388, filed on May 20, 2011, now Pat. No. Des. 677,118.

(51) **LOC (9) Cl.** ..... **07-02**

(52) **U.S. Cl.**  
USPC ..... **D7/392**; D9/454; D9/448; D9/449

(58) **Field of Classification Search**  
USPC ..... D7/391, 392, 392.1, 396.2, 509-511, D7/523, 608, 900; D9/443, 446, 447, 449, D9/450, 453, 454, 505; 215/11.6, 44, 224, 215/229, 306, 311; 220/3.75, 23.83, 212.5, 220/292, 714, 705; 222/83, 420, 450, 530, 222/543

See application file for complete search history.

(56) **References Cited**

**U.S. PATENT DOCUMENTS**

D108,945 S \* 3/1938 Hart ..... D7/392  
D369,942 S \* 5/1996 Ahern, Jr. .... D7/391

D393,569 S \* 4/1998 Lai et al. .... D7/392  
D397,613 S \* 9/1998 Haley ..... D9/448  
D409,043 S \* 5/1999 Lillelund et al. .... D7/392  
D419,878 S \* 2/2000 Kerr et al. .... D9/448  
D477,532 S \* 7/2003 Wong ..... D9/449  
D515,921 S \* 2/2006 Marroncles ..... D9/449  
D524,650 S \* 7/2006 Sitomer ..... D9/449  
D545,619 S \* 7/2007 Jalet ..... D7/392  
D562,133 S \* 2/2008 Liebe et al. .... D9/449  
D565,947 S \* 4/2008 Downey et al. .... D9/448  
D577,998 S \* 10/2008 Decottignies ..... D9/448  
D677,118 S \* 3/2013 Rosenfeld ..... D7/392  
2008/0272085 A1 \* 11/2008 Laporta ..... 215/296

\* cited by examiner

*Primary Examiner* — Susan E Krakower

(74) *Attorney, Agent, or Firm* — David Wright Tremaine LLP

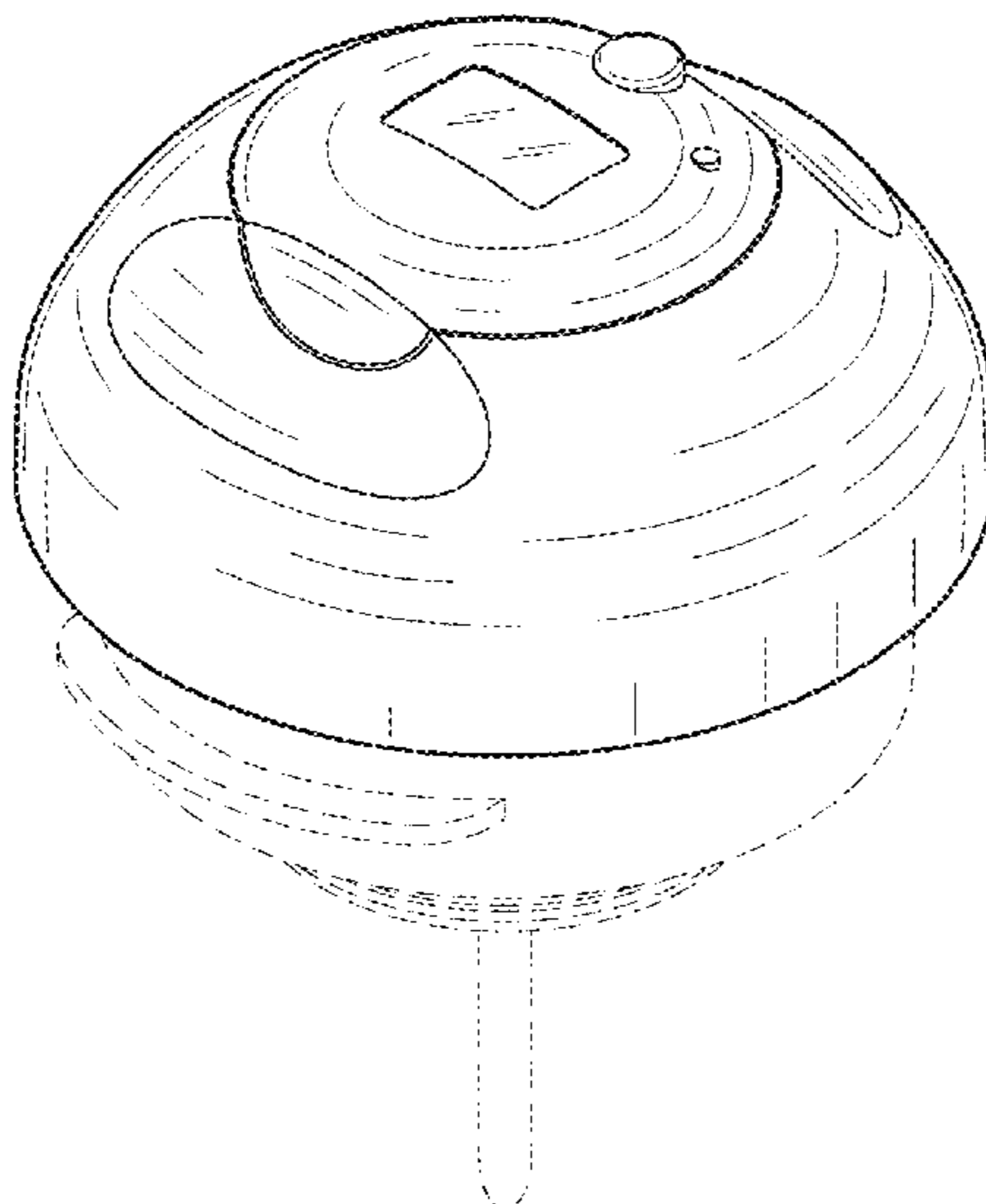
(57) **CLAIM**

The ornamental design for a carafe lid, as shown and described.

**DESCRIPTION**

FIG. 1 is a perspective view of a carafe lid of the present invention;  
FIG. 2 is a first side view thereof;  
FIG. 3 is a top view thereof;  
FIG. 4 is a front view thereof;  
FIG. 5 is a rear view thereof;  
FIG. 6 is a second side view thereof; and,  
FIG. 7 is a bottom view thereof.  
The broken lines illustrate portions of the carafe lid which form no part of the claimed design.

**1 Claim, 4 Drawing Sheets**



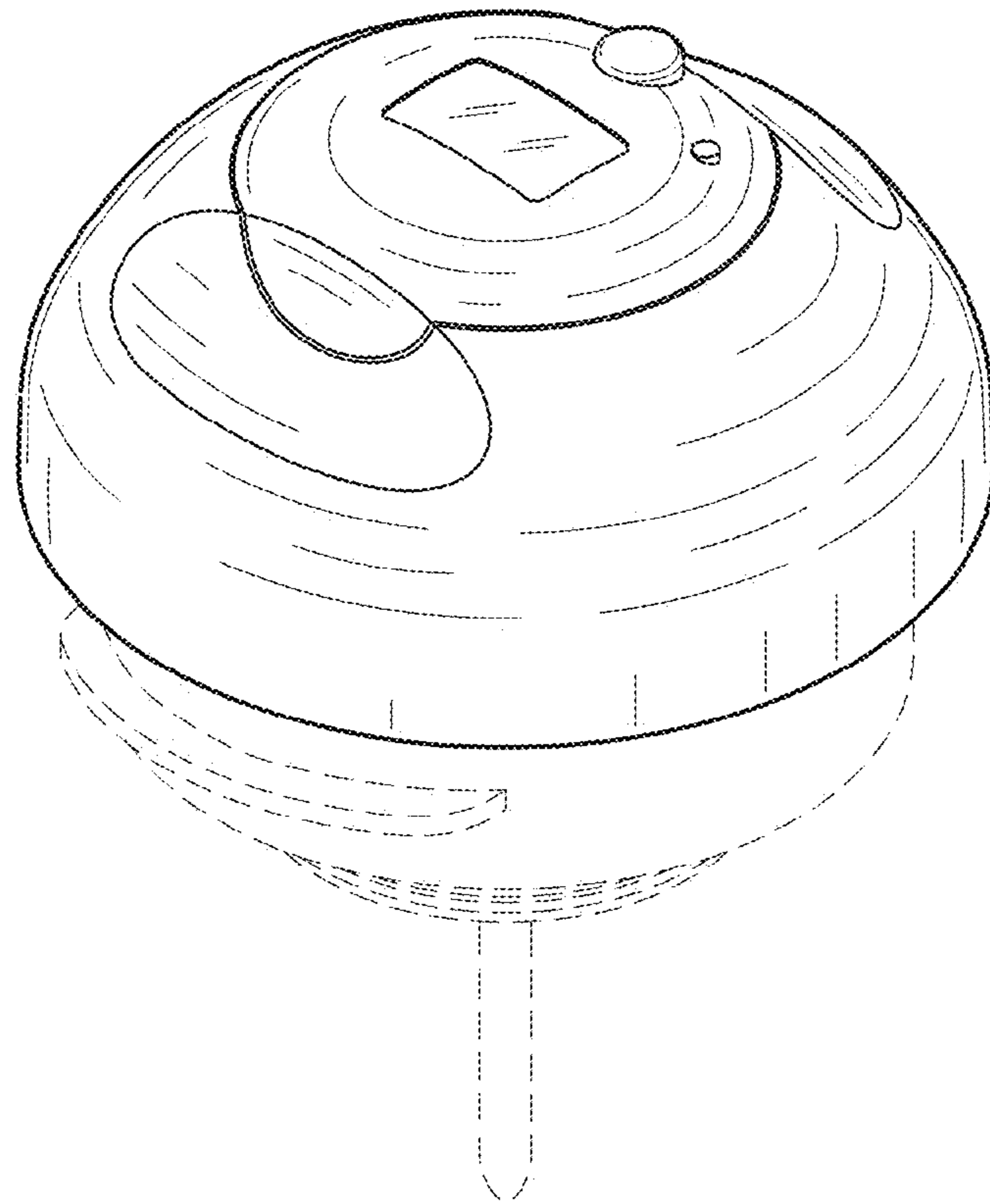


FIG.1

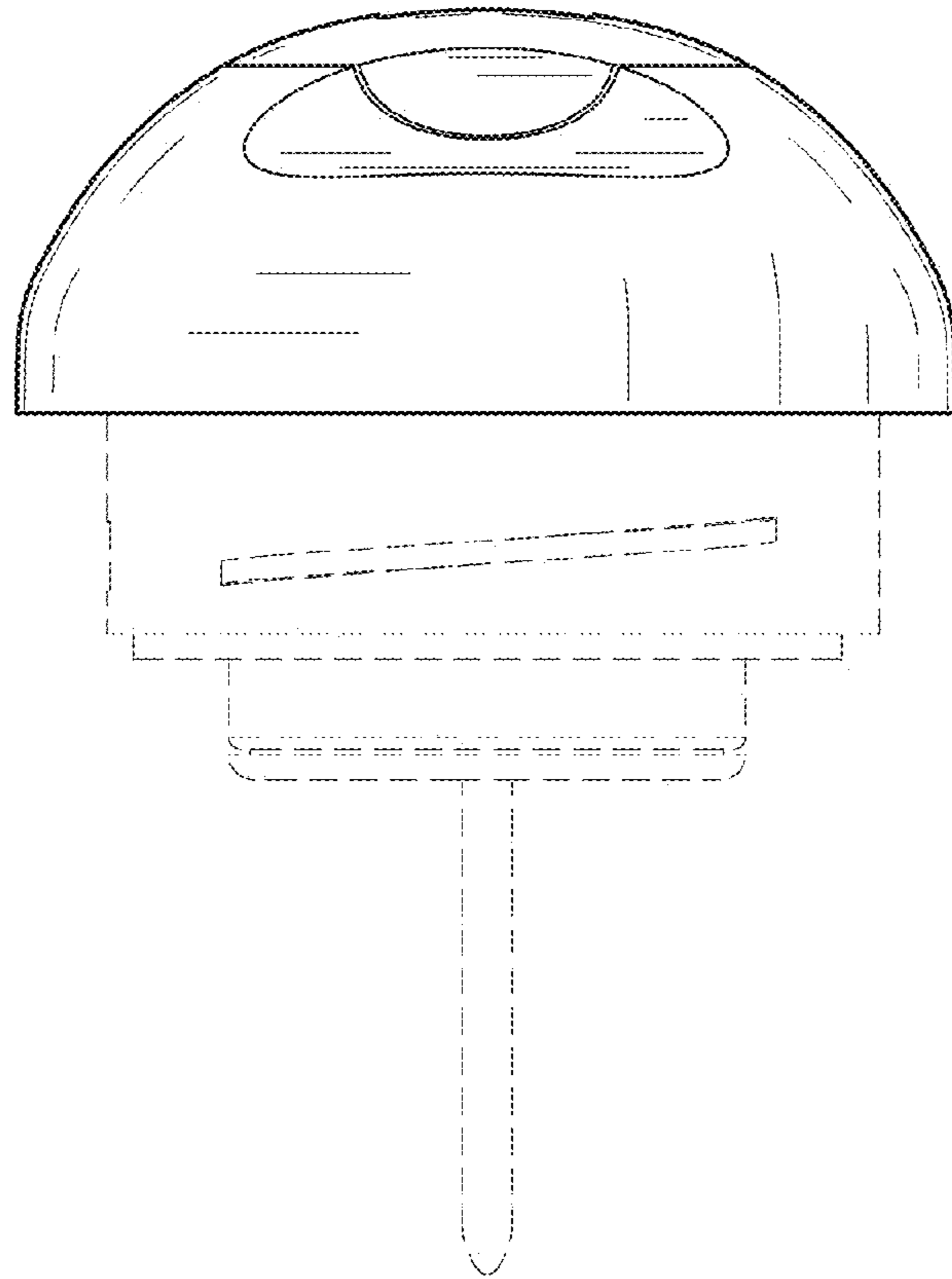


FIG. 2

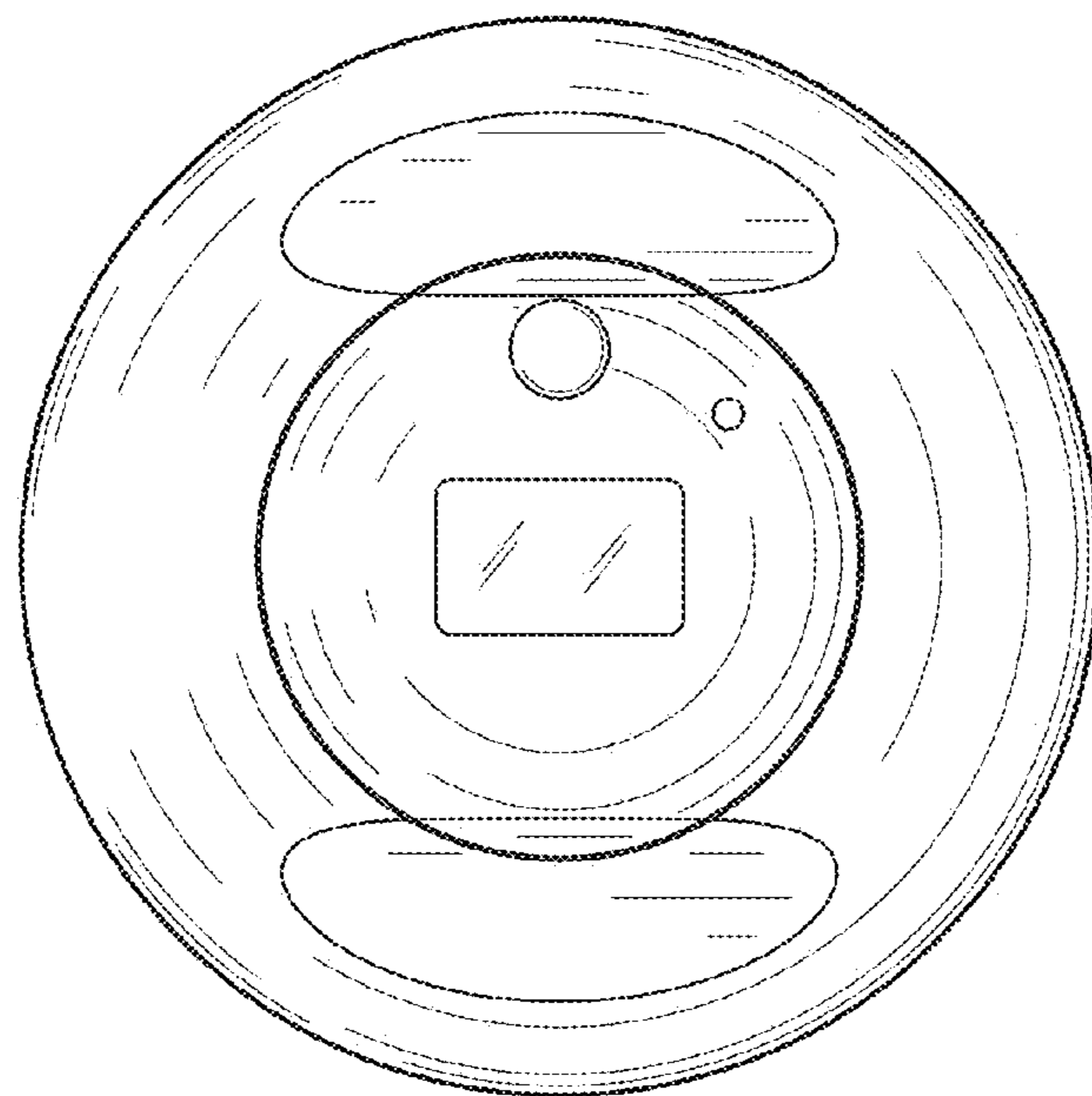


FIG. 3

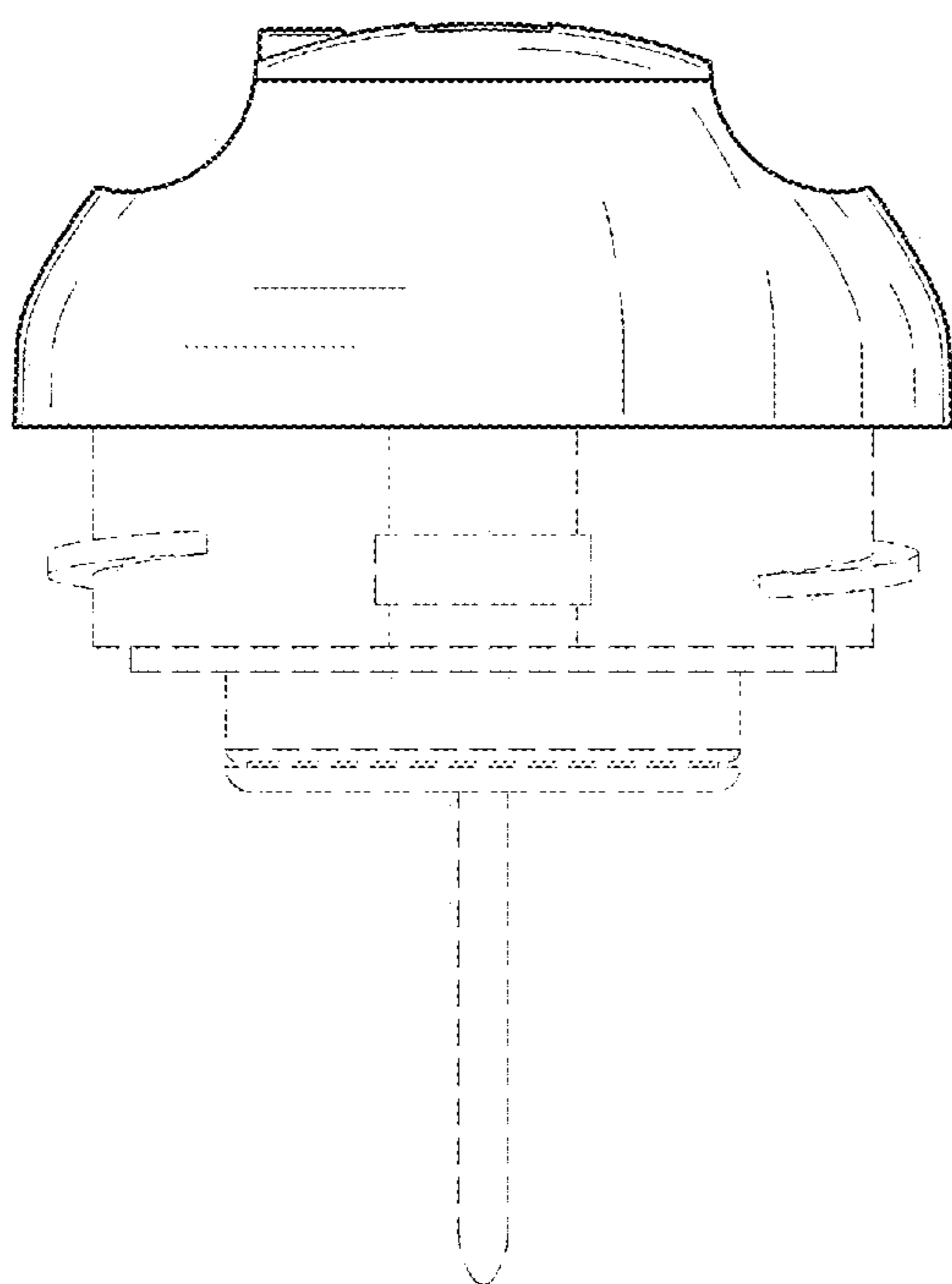


FIG. 4

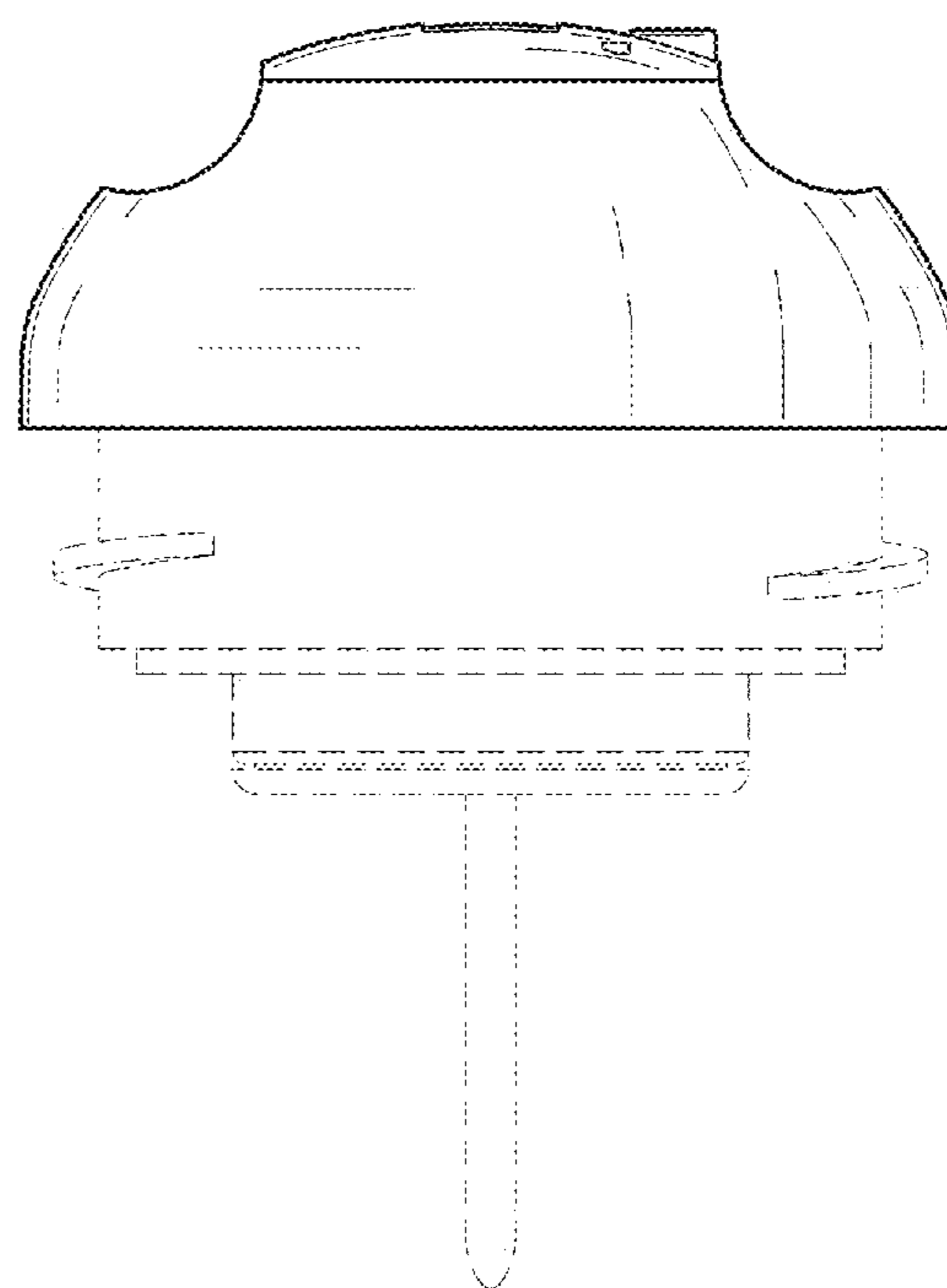


FIG. 5

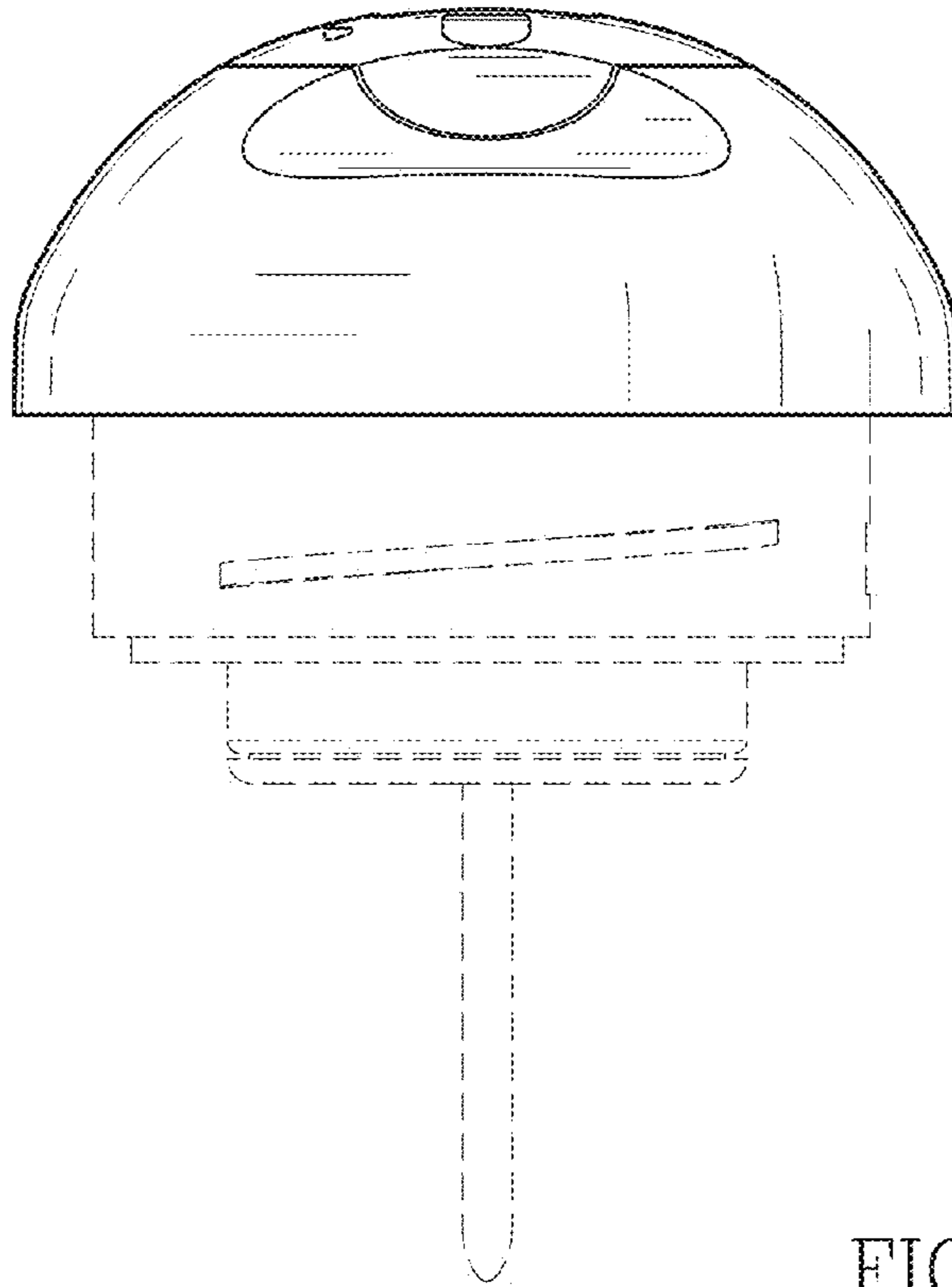


FIG. 6

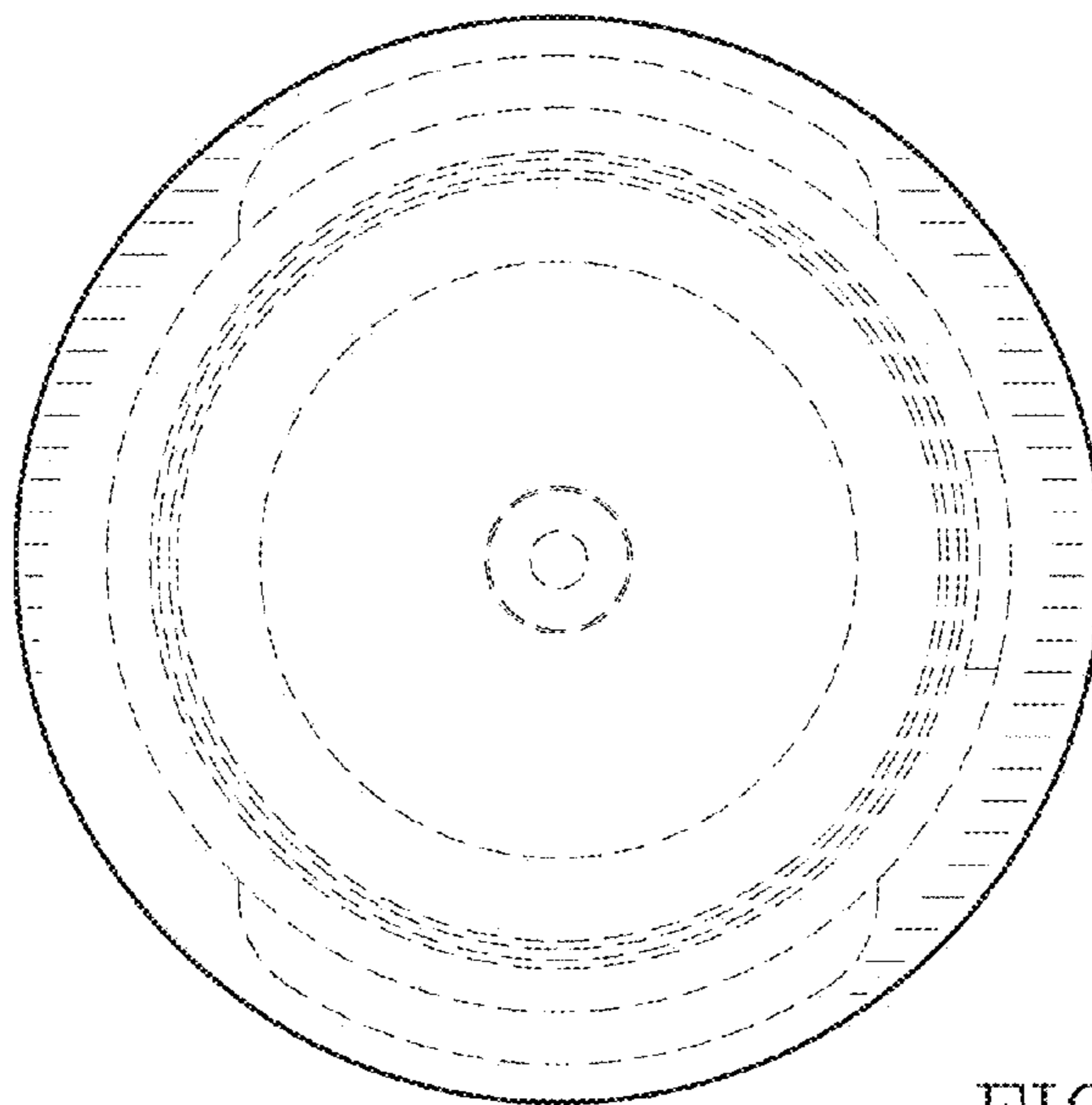


FIG. 7