



US00D683579S

(12) **United States Design Patent**  
**Black**

(10) **Patent No.:** **US D683,579 S**  
(45) **Date of Patent:** **\*\* Jun. 4, 2013**

(54) **IDENTIFICATION BAND FOR BEVERAGE CUP**

D600,115 S \* 9/2009 Trayser ..... D9/434  
8,091,383 B1 \* 1/2012 Zahiri et al. .... 63/15  
D657,705 S \* 4/2012 Guerrero, II ..... D11/4

(76) Inventor: **Laura G. Black**, Vestavia Hills, AL (US)

\* cited by examiner

(\*\*) Term: **14 Years**

*Primary Examiner* — Cynthia Underwood

(21) Appl. No.: **29/394,759**

(74) *Attorney, Agent, or Firm* — Kenneth M. Bush; Bush Intellectual Property Law

(22) Filed: **Jun. 21, 2011**

(57) **CLAIM**

I claim the ornamental design for an identification band for beverage cup, as shown and described.

(51) **LOC (9) Cl.** ..... **07-01**

**DESCRIPTION**

(52) **U.S. Cl.**  
USPC ..... **D7/387; D7/633; D7/619.2**

(58) **Field of Classification Search**  
USPC ..... **D7/633, 624.2, 632, 634, 510, 507, D7/389, 396.1, 213, 396.2, 619.2; D11/26; 63/33, 15, 29.2; D24/197; D9/444, 434**  
See application file for complete search history.

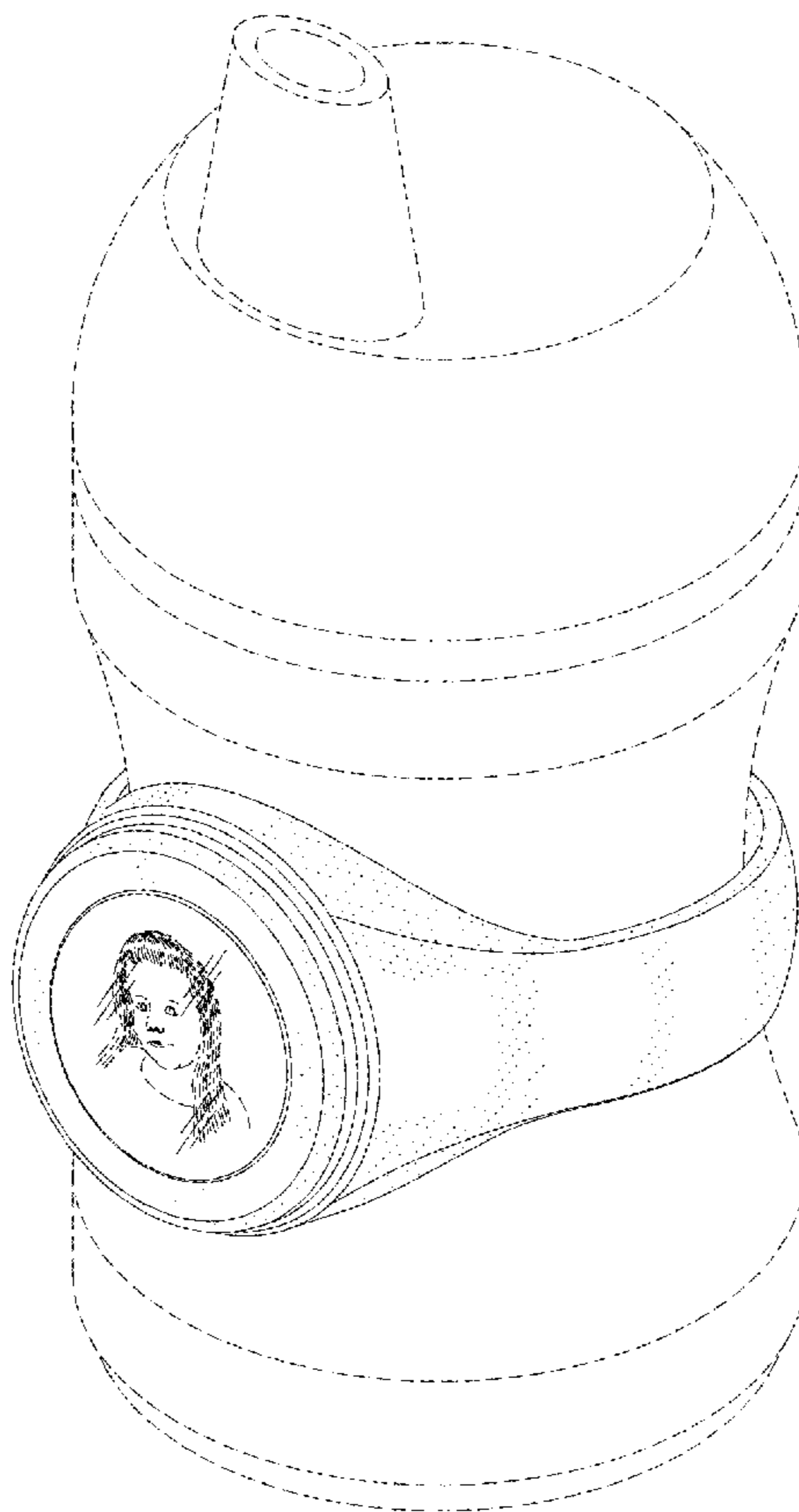
FIG. 1 is a front perspective view of an identification band for beverage cup showing my new design;  
FIG. 2 is a front elevational view thereof;  
FIG. 3 is a rear elevational view thereof;  
FIG. 4 is a top plan view thereof, the bottom plan view being identical to the top plan view;  
FIG. 5 is a left side elevational view thereof, the right side elevational view being identical to the left side elevational view; and,  
FIG. 6 is a front perspective view thereof with the identification band for beverage cup shown attached to a beverage cup.  
In the drawings, the broken lines illustrating a child's picture and a beverage cup are for illustrative purposes only and form no part of the claimed design.

(56) **References Cited**

**U.S. PATENT DOCUMENTS**

D334,001 S \* 3/1993 Muse ..... D11/30  
D404,335 S \* 1/1999 Perrin et al. .... D11/29  
D446,454 S \* 8/2001 Frank ..... D9/444  
6,694,779 B1 \* 2/2004 Dreger ..... 63/33  
D523,769 S \* 6/2006 Arlanda ..... D11/26  
D565,991 S \* 4/2008 Mouclier ..... D11/26

**1 Claim, 4 Drawing Sheets**



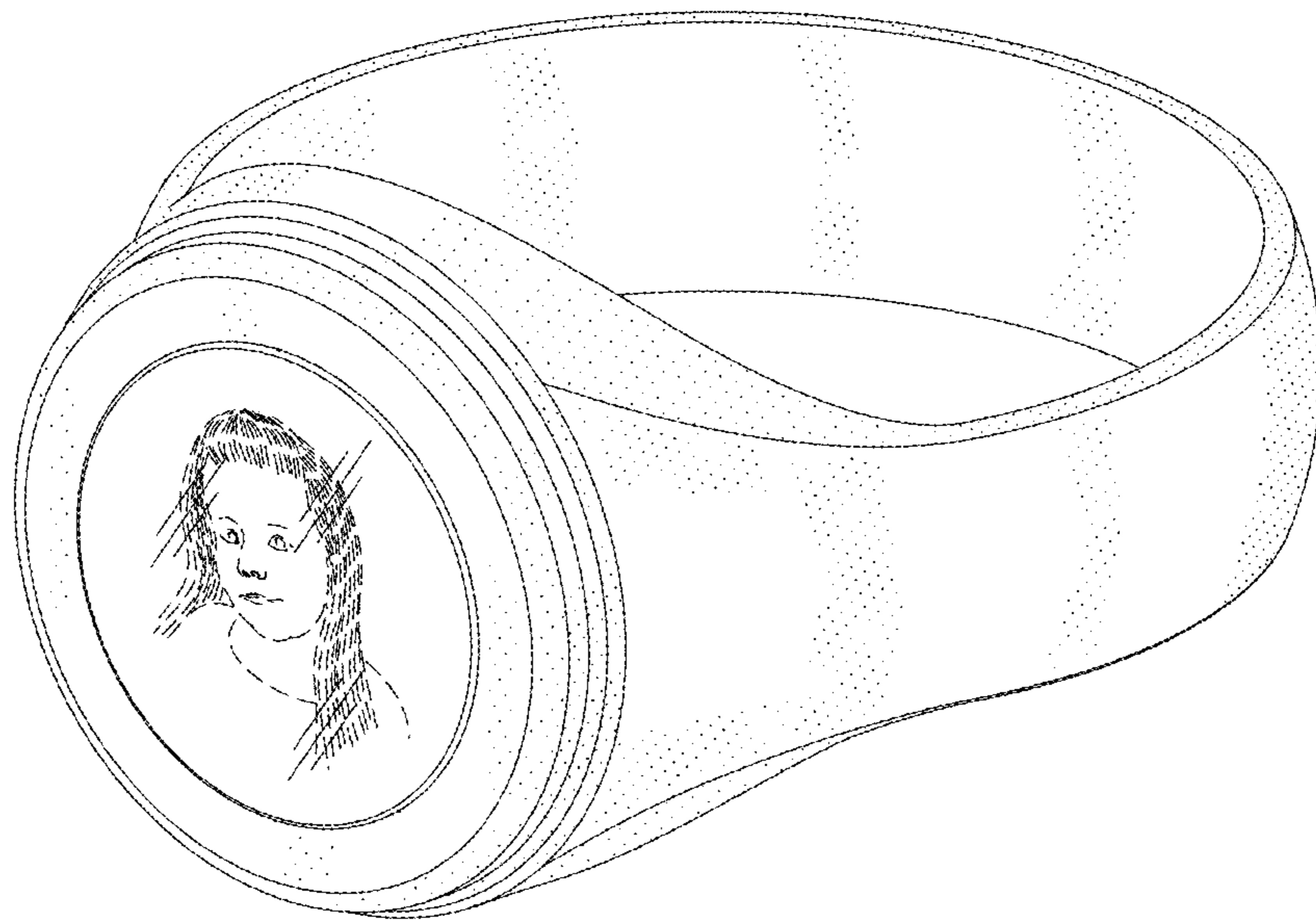


FIG. 1

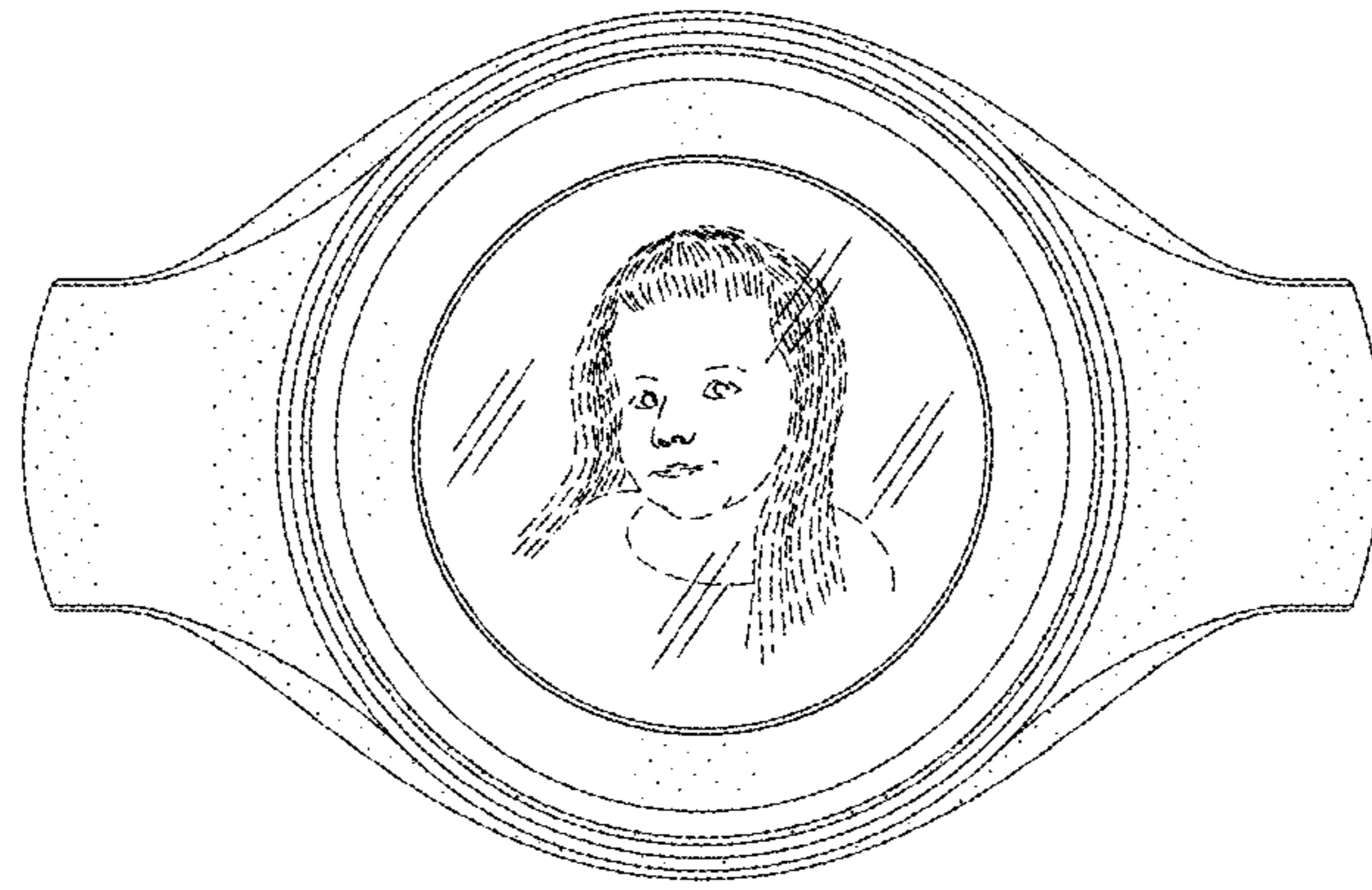


FIG. 2

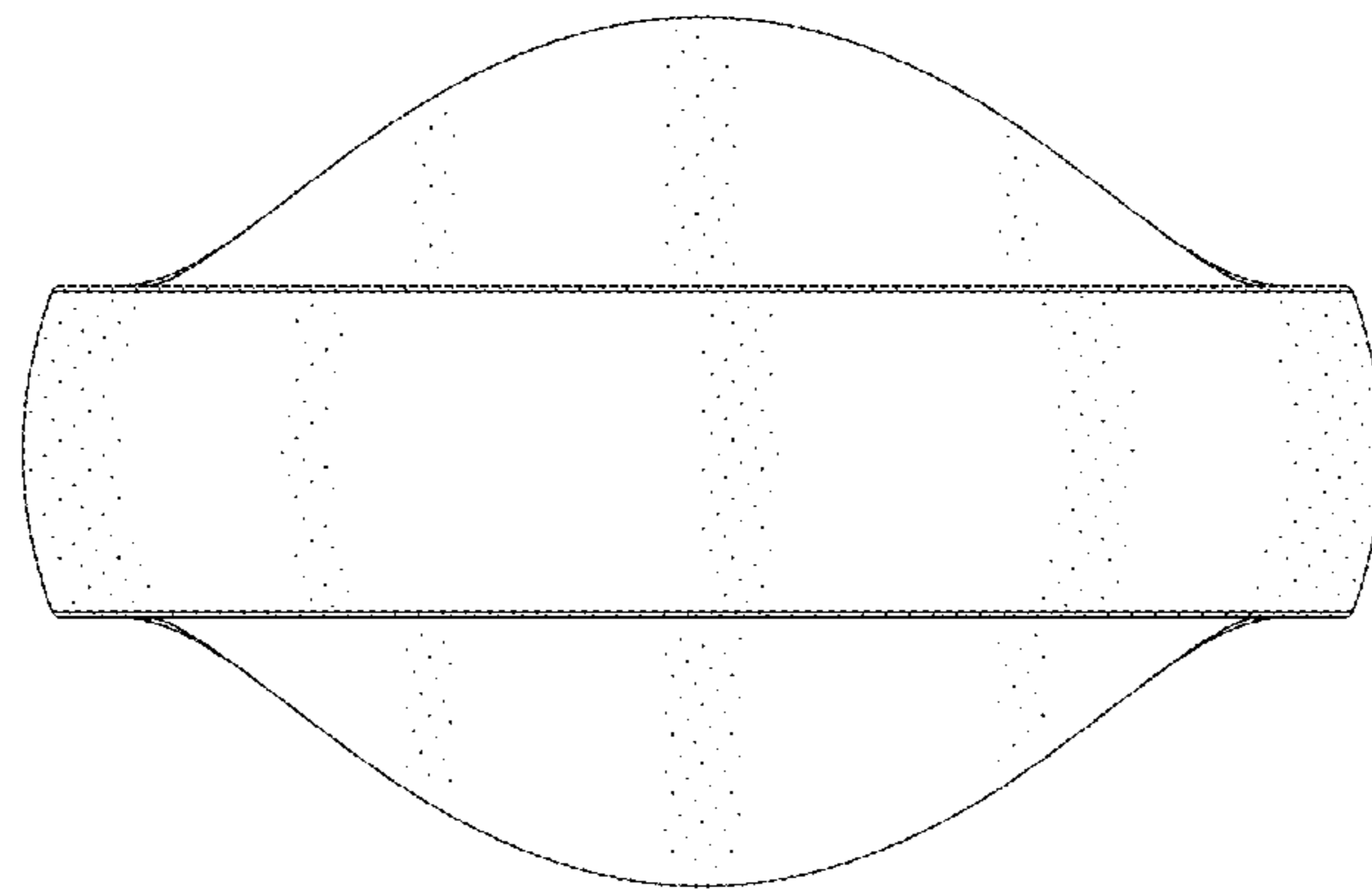


FIG. 3

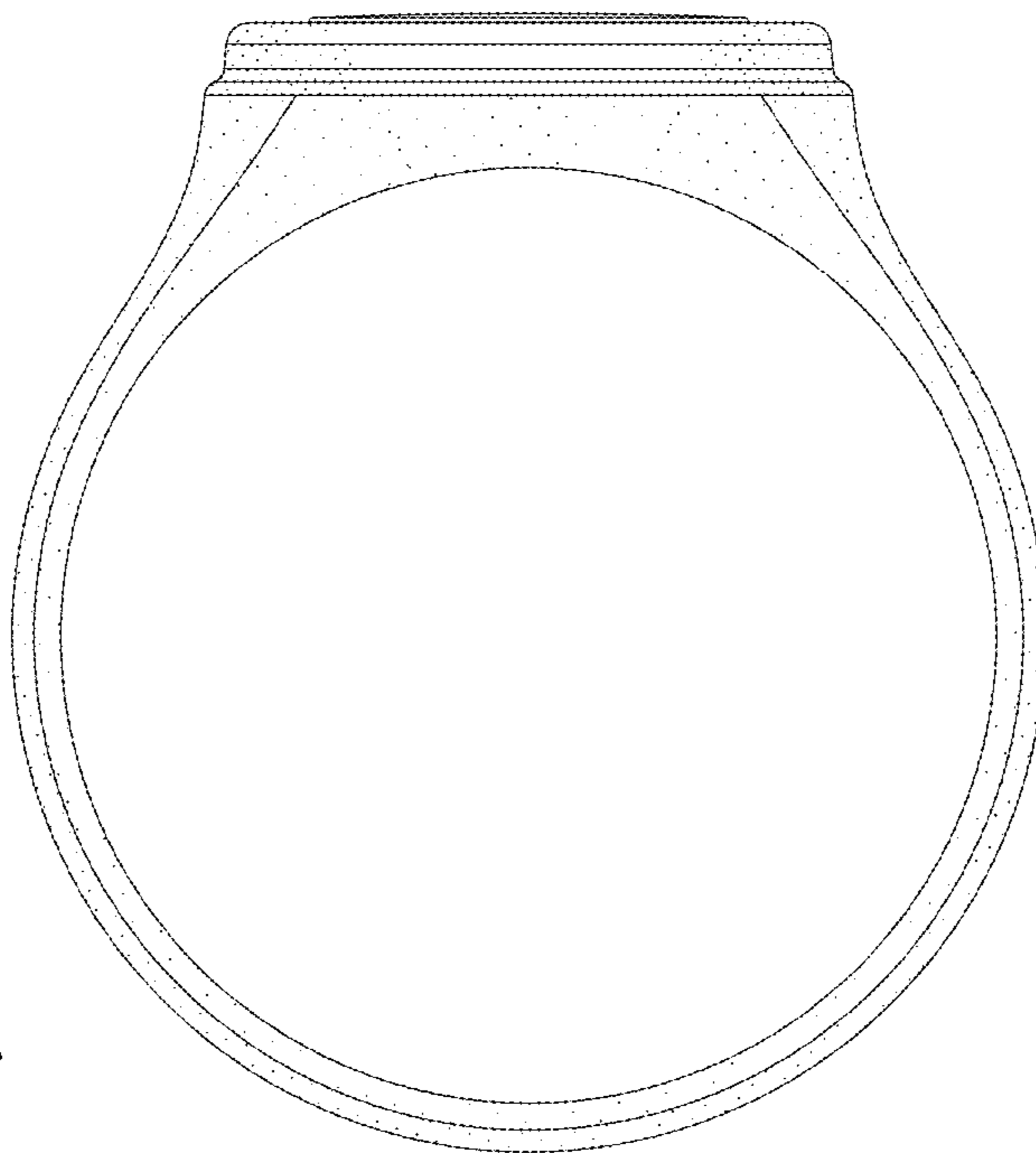


FIG. 4

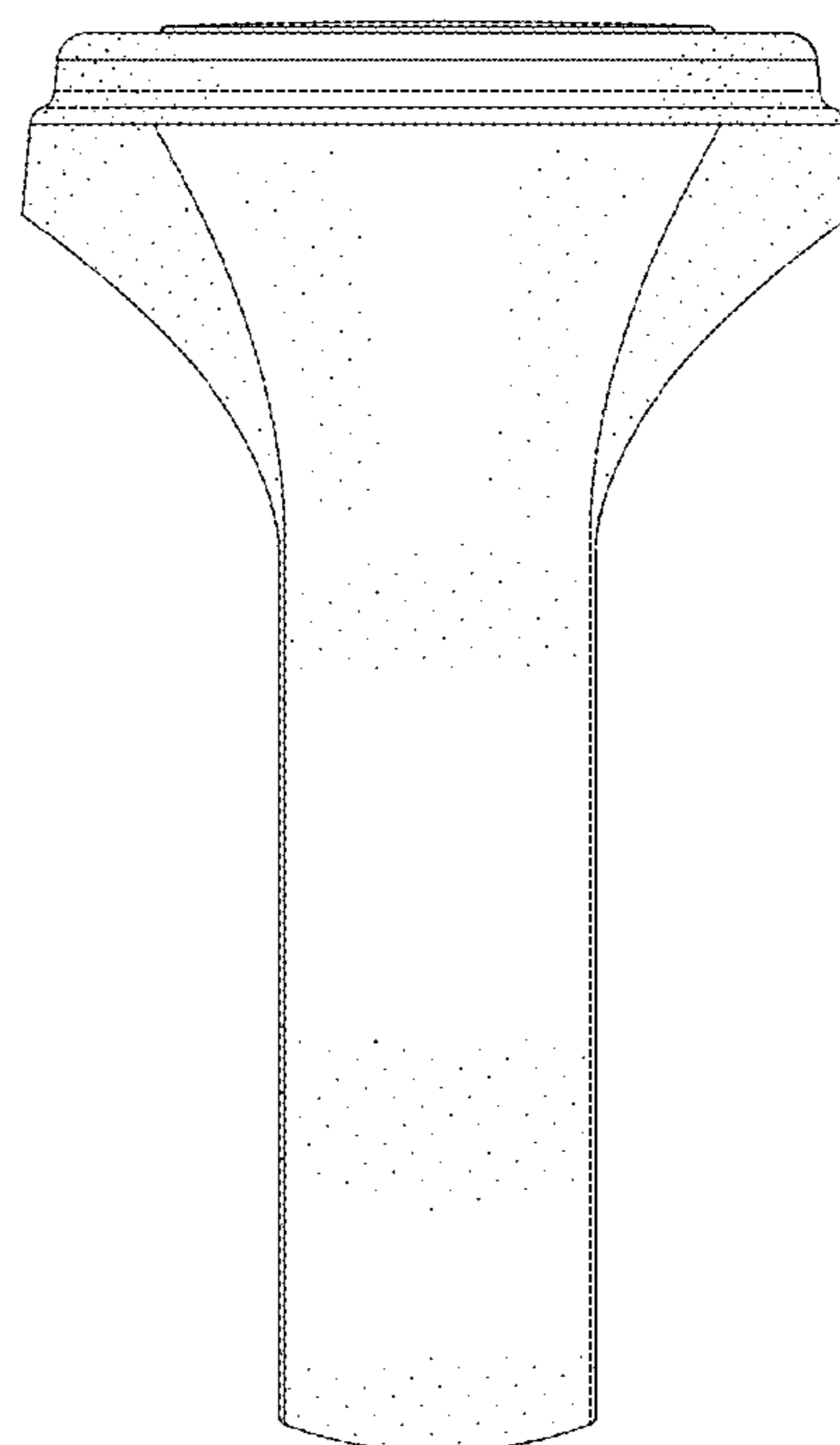


FIG. 5

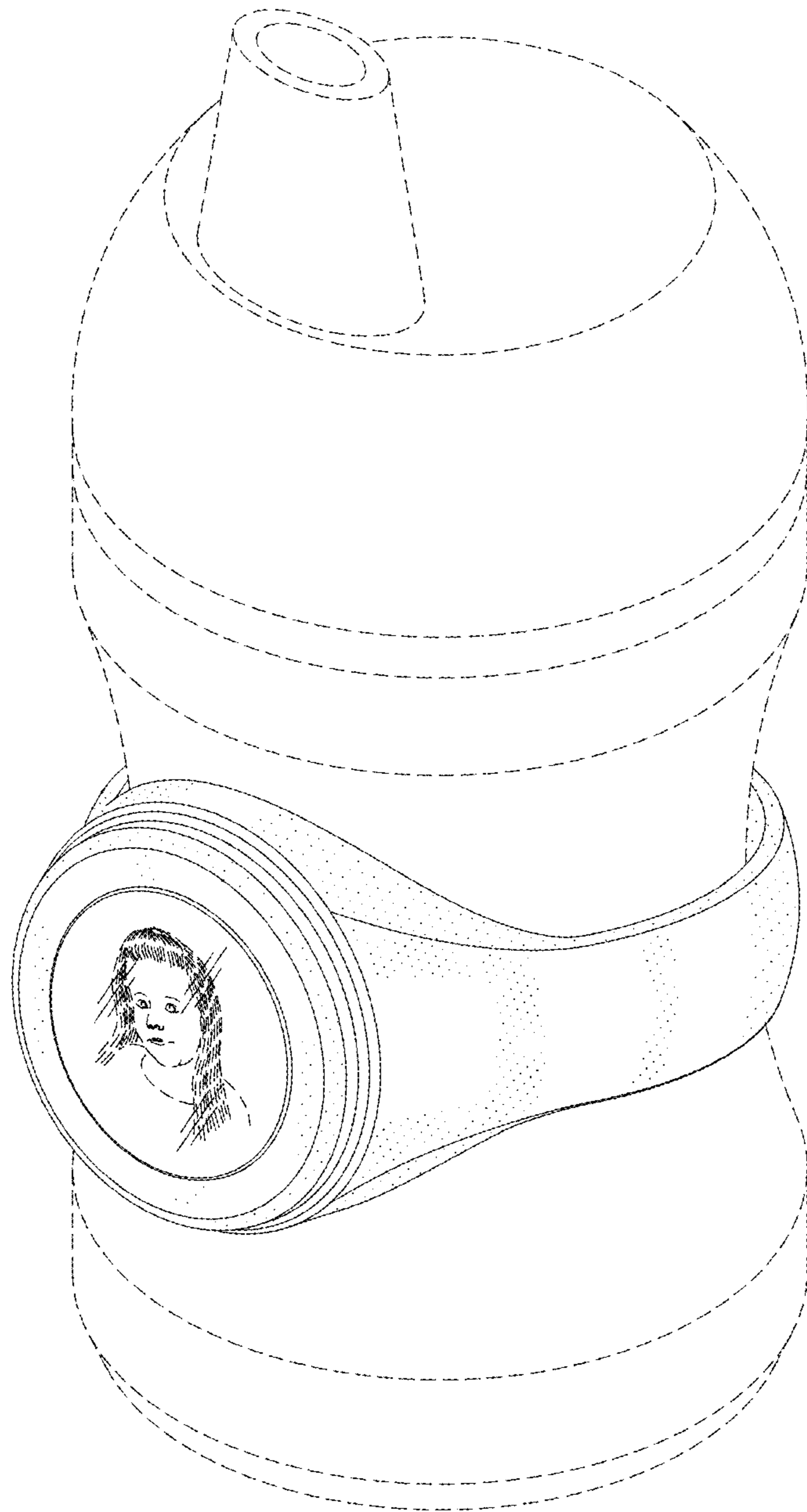


FIG. 6