



US00D683578S

(12) **United States Design Patent**  
**Nordwall**

(10) **Patent No.:** **US D683,578 S**  
(45) **Date of Patent:** **\*\* Jun. 4, 2013**

(54) **MIXER**

(71) Applicant: **Electrolux Professional S.p.A.**,  
Pordenone (IT)

(72) Inventor: **Joachim Nordwall**, Stockholm (SE)

(73) Assignee: **Electrolux Professional S.p.A.** (IT)

(\*\*) Term: **14 Years**

(21) Appl. No.: **29/434,622**

(22) Filed: **Oct. 15, 2012**

(30) **Foreign Application Priority Data**

Apr. 13, 2012 (EM) ..... 002025304

(51) **LOC (9) Cl.** ..... **31-00**

(52) **U.S. Cl.**  
USPC ..... **D7/379; D7/376; D7/384**

(58) **Field of Classification Search**

USPC ..... D7/301-313, 316-319, 356-357,  
D7/368, 372-386, 391-398, 412-415, 503,  
D7/515, 665, 679, 691-693; 99/326, 348,  
99/492, 508-512; 241/30-37.5, 101.01-101.2,  
241/166-169.1, 172, 272, 285.1-285.3, 291,  
241/292.1; 366/64-67, 98, 129, 142-144,  
366/192-211, 241-254, 262, 279-292, 325.8,  
366/325.92, 341-347; 416/75-77, 70 R,  
416/163

See application file for complete search history.

(56) **References Cited**

**U.S. PATENT DOCUMENTS**

4,070,711 A \* 1/1978 Smader ..... 366/98  
D286,258 S \* 10/1986 Grange ..... D7/379  
D319,555 S \* 9/1991 Thomas ..... D7/379  
D322,010 S \* 12/1991 Doggett ..... D7/379  
D394,781 S \* 6/1998 Doggett ..... D7/379  
D400,759 S \* 11/1998 Doggett ..... D7/379  
D436,497 S \* 1/2001 Nalbandian ..... D7/379

D454,023 S \* 3/2002 Wang ..... D7/309  
6,435,708 B1 \* 8/2002 Huang ..... 366/347  
D468,581 S \* 1/2003 Short ..... D7/379  
D489,569 S \* 5/2004 Smith et al. .... D7/379  
D489,936 S \* 5/2004 Smith et al. .... D7/379  
D499,604 S \* 12/2004 Hooper et al. .... D7/379  
D502,841 S \* 3/2005 Santer ..... D7/379  
6,953,278 B2 \* 10/2005 Short et al. .... 366/206  
D530,146 S \* 10/2006 Ball et al. .... D7/379  
7,175,338 B2 \* 2/2007 Hooper et al. .... 366/197  
D540,113 S \* 4/2007 Short et al. .... D7/376  
D550,497 S \* 9/2007 Argabrite et al. .... D7/307  
D584,916 S \* 1/2009 Christou ..... D7/376  
D612,195 S \* 3/2010 Liu ..... D7/379

(Continued)

*Primary Examiner* — Ricky Pham

(74) *Attorney, Agent, or Firm* — Banner & Witcoff, Ltd.

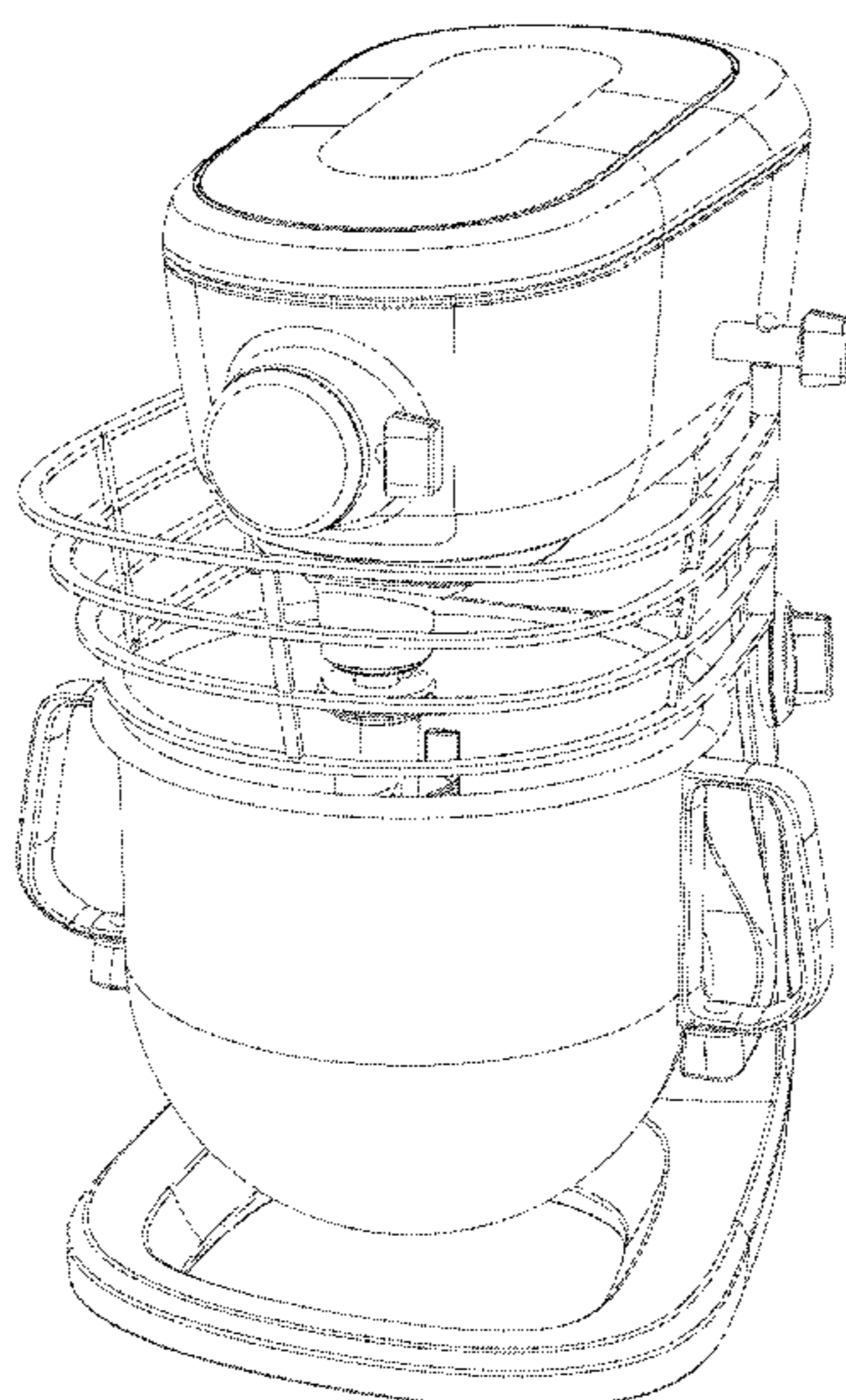
(57) **CLAIM**

The ornamental design for a mixer, as shown and described.

**DESCRIPTION**

FIG. 1 is a perspective view of a mixer showing my new design;  
FIG. 2 is a front view thereof;  
FIG. 3 is a top view thereof;  
FIG. 4 is a bottom view thereof;  
FIG. 5 is a left side view thereof;  
FIG. 6 is a right side view thereof;  
FIG. 7 is a rear view thereof;  
FIG. 8 is a front perspective view of the mixer of FIGS. 1-7 shown by a different CAD representation style;  
FIG. 9 is a front view thereof;  
FIG. 10 is a top view thereof;  
FIG. 11 is a left side view thereof;  
FIG. 12 is a right side view thereof;  
FIG. 13 is a rear view thereof; and,  
FIGS. 14 and 15 are color photographs of a commercial embodiment corresponding to the mixer shown in FIGS. 1-13.

**1 Claim, 15 Drawing Sheets**



# US D683,578 S

Page 2

---

## U.S. PATENT DOCUMENTS

D613,549 S *	4/2010	Picozza et al. ....	D7/379	D654,304 S *	2/2012	Bodum .....	D7/379
D616,699 S *	6/2010	Hoare et al. ....	D7/379	2006/0198240 A1 *	9/2006	Short et al. ....	366/197
D631,691 S *	2/2011	Liu .....	D7/379	* cited by examiner			

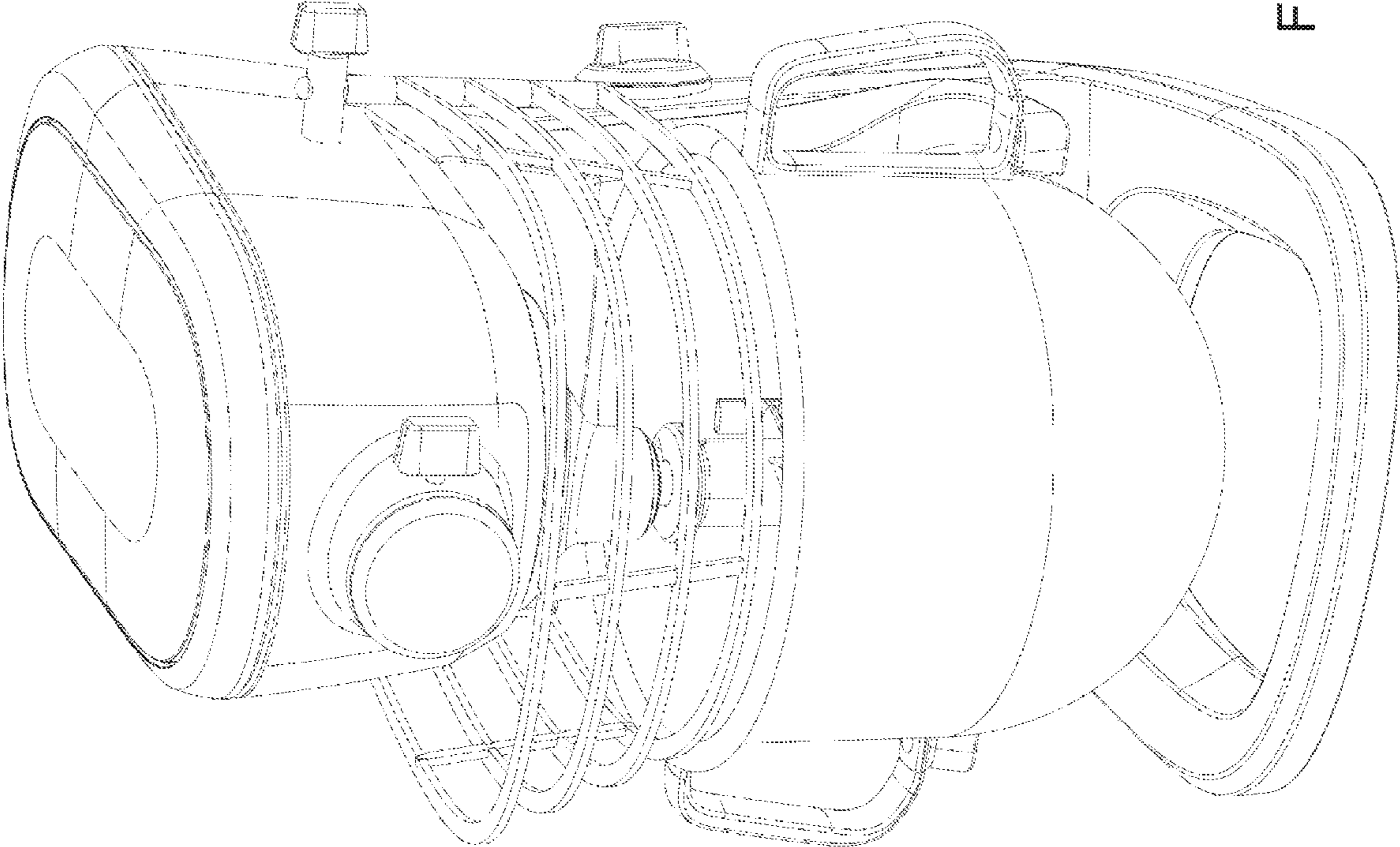


FIG. 1

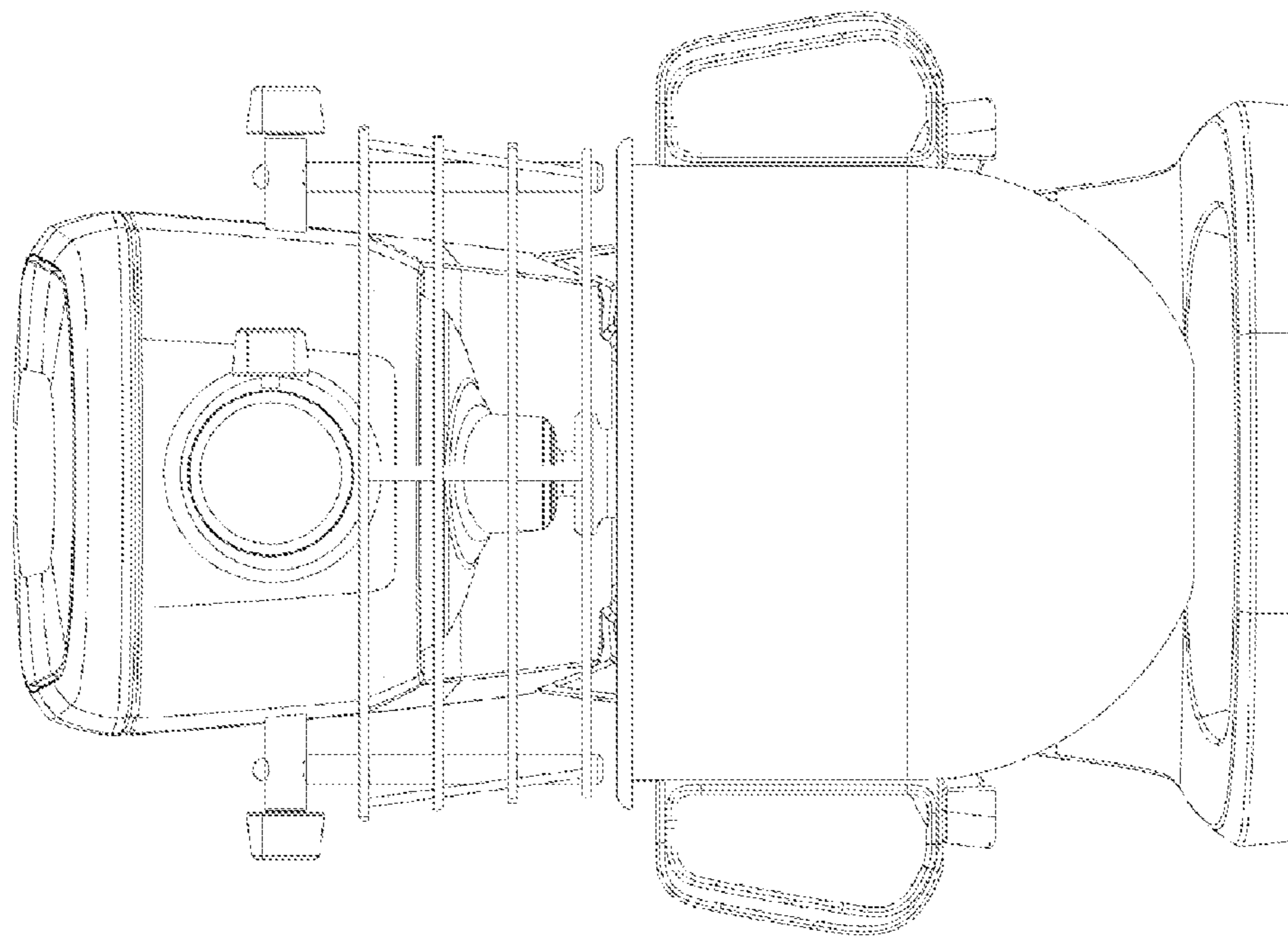


FIG. 2

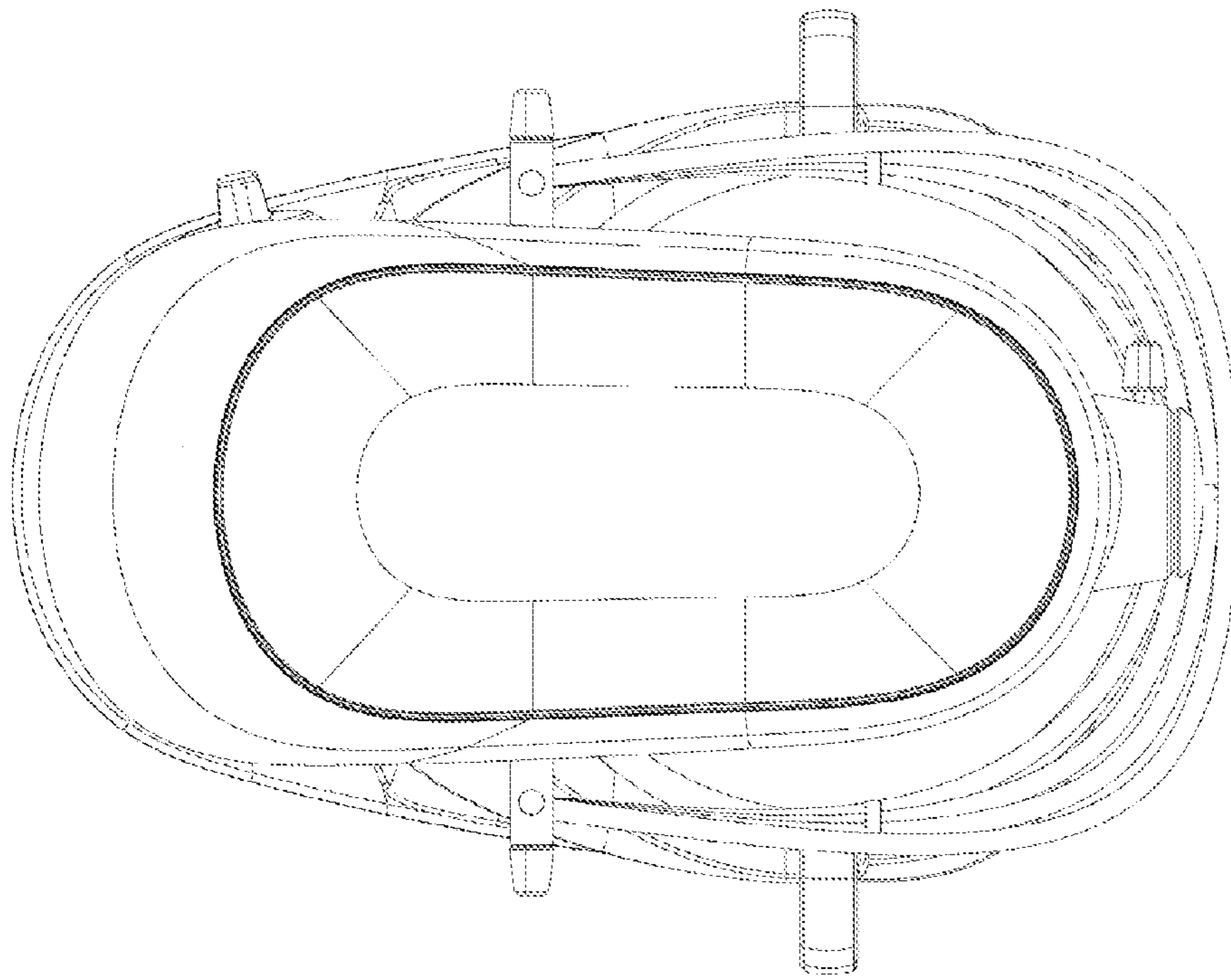


FIG. 3

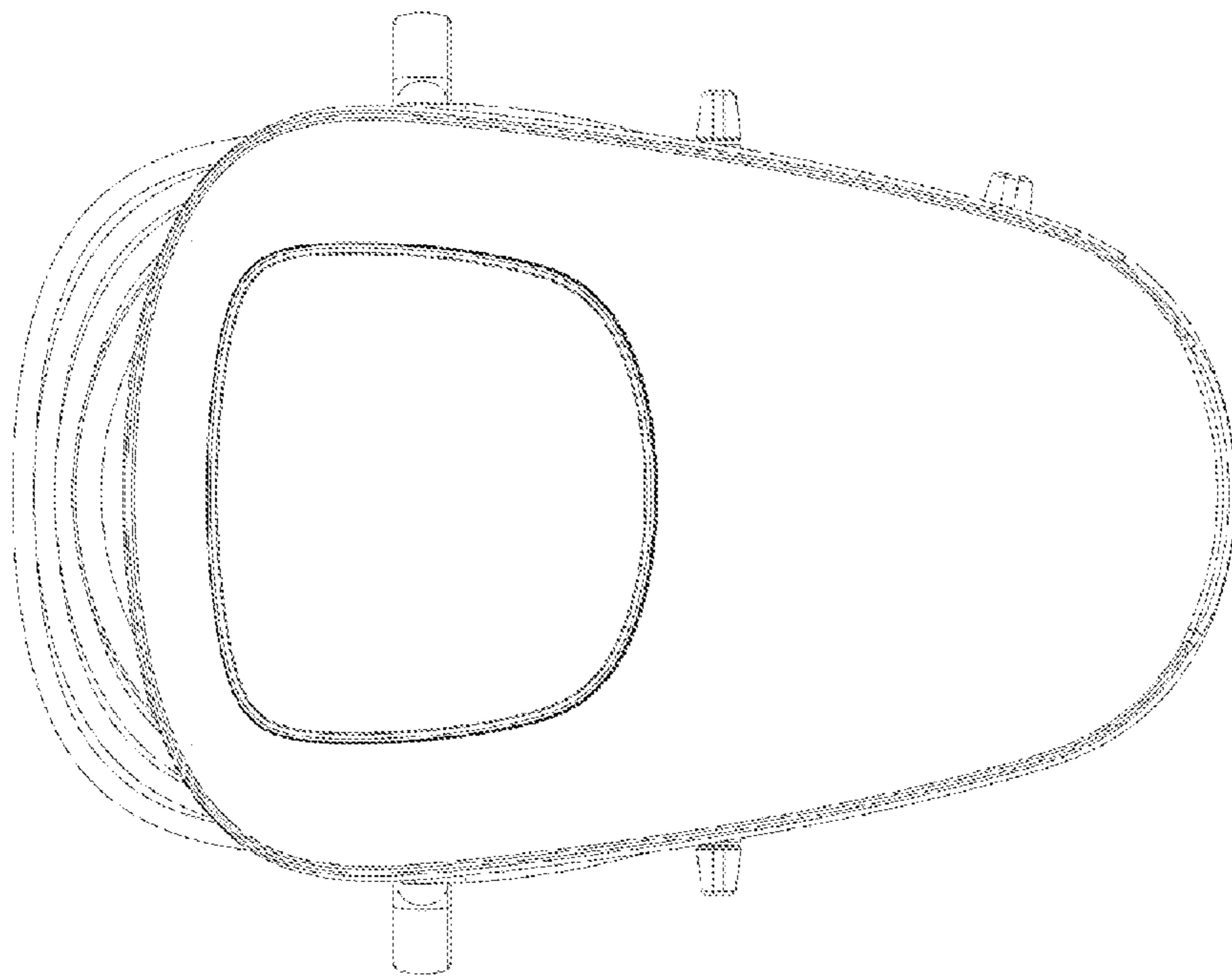


FIG. 4

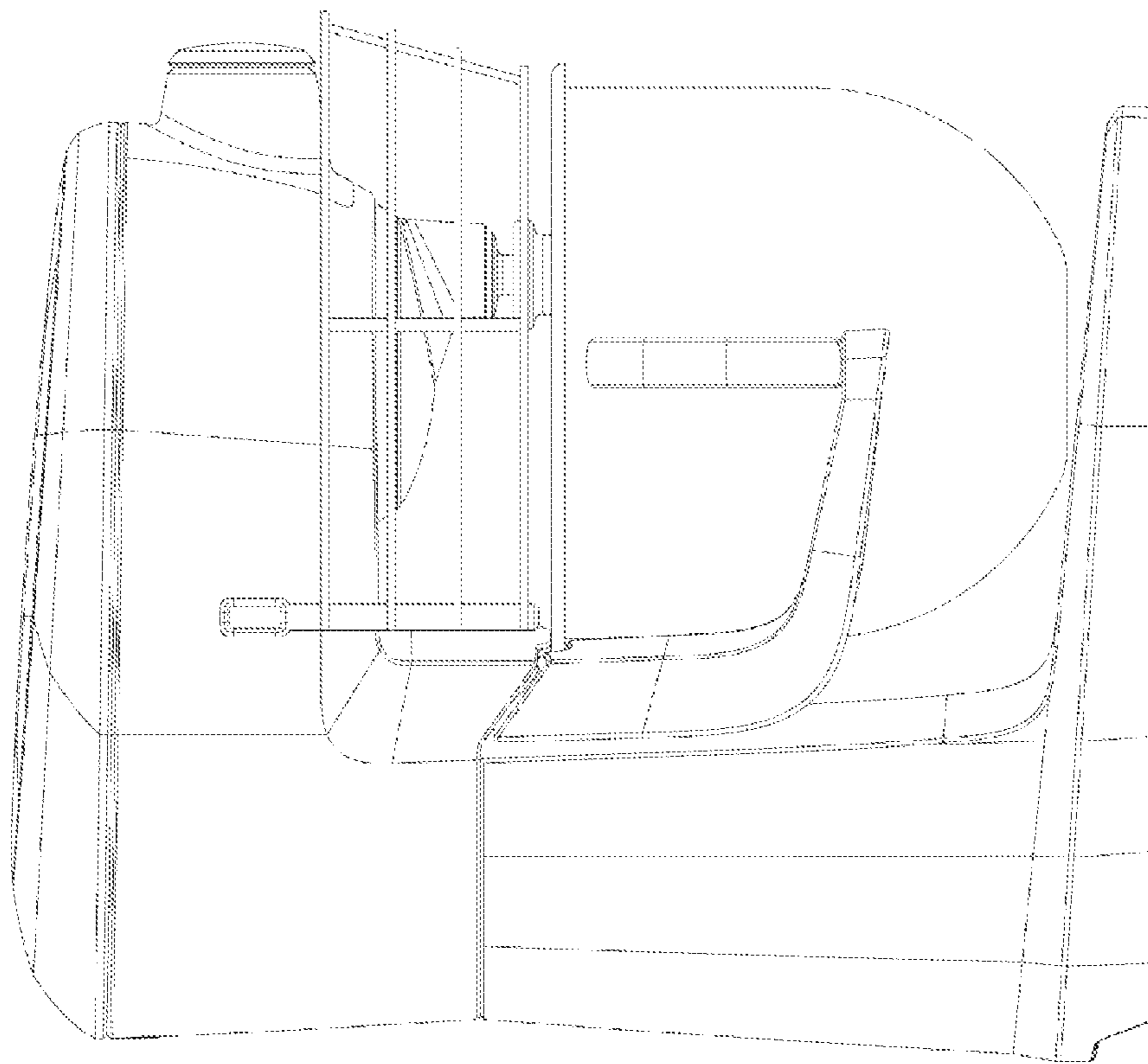


FIG. 5

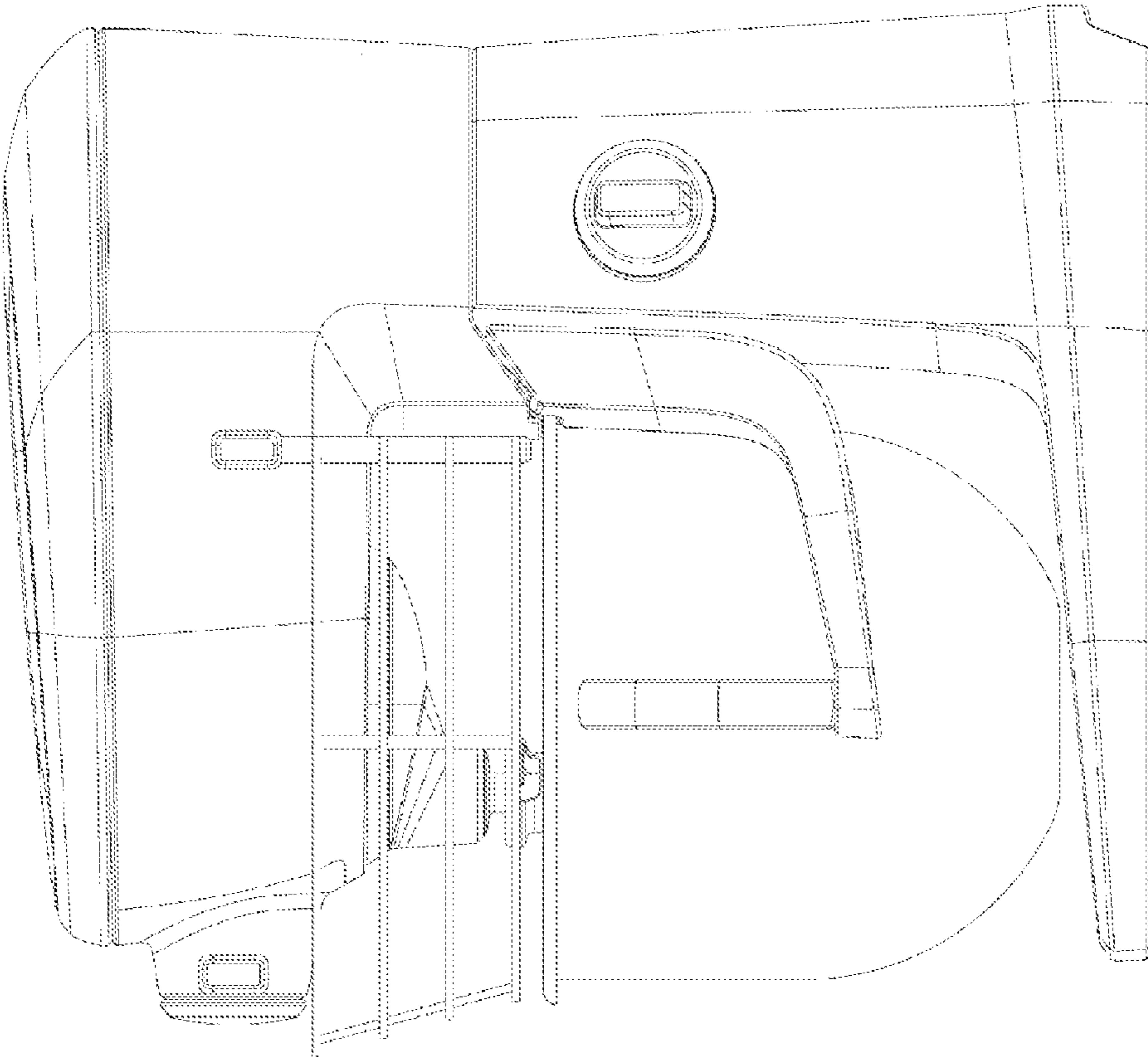


FIG. 6



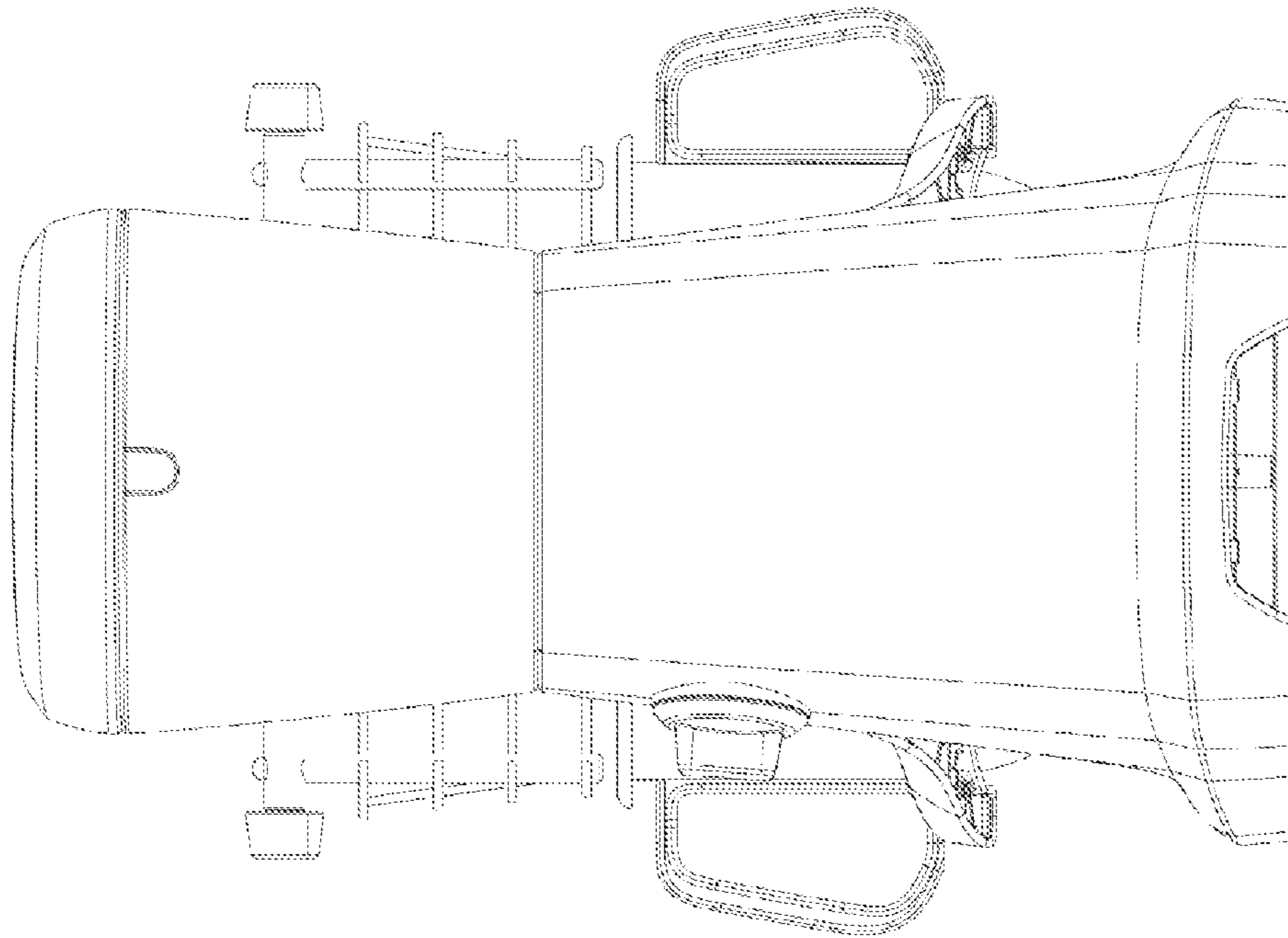


FIG. 7

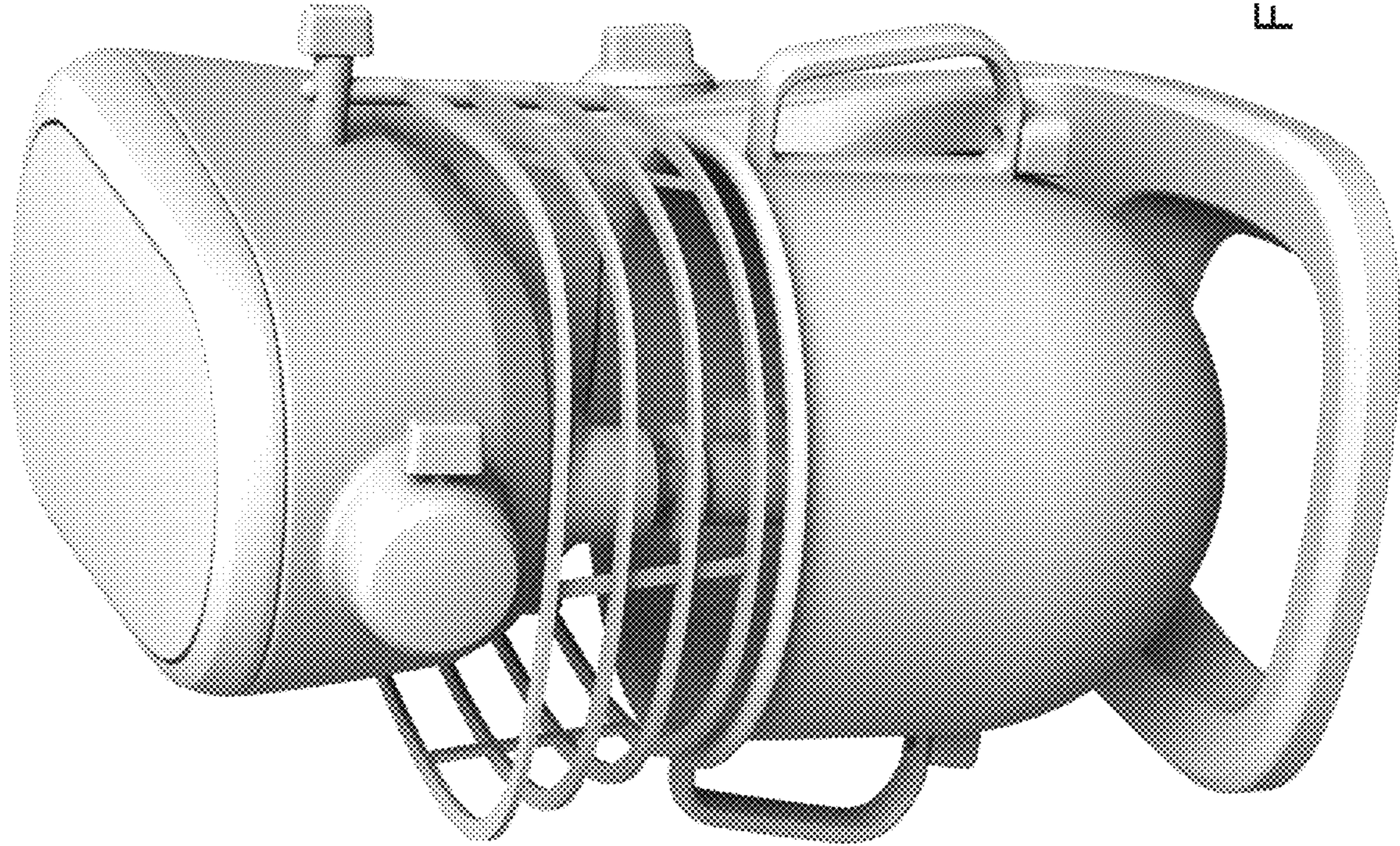


FIG. 8

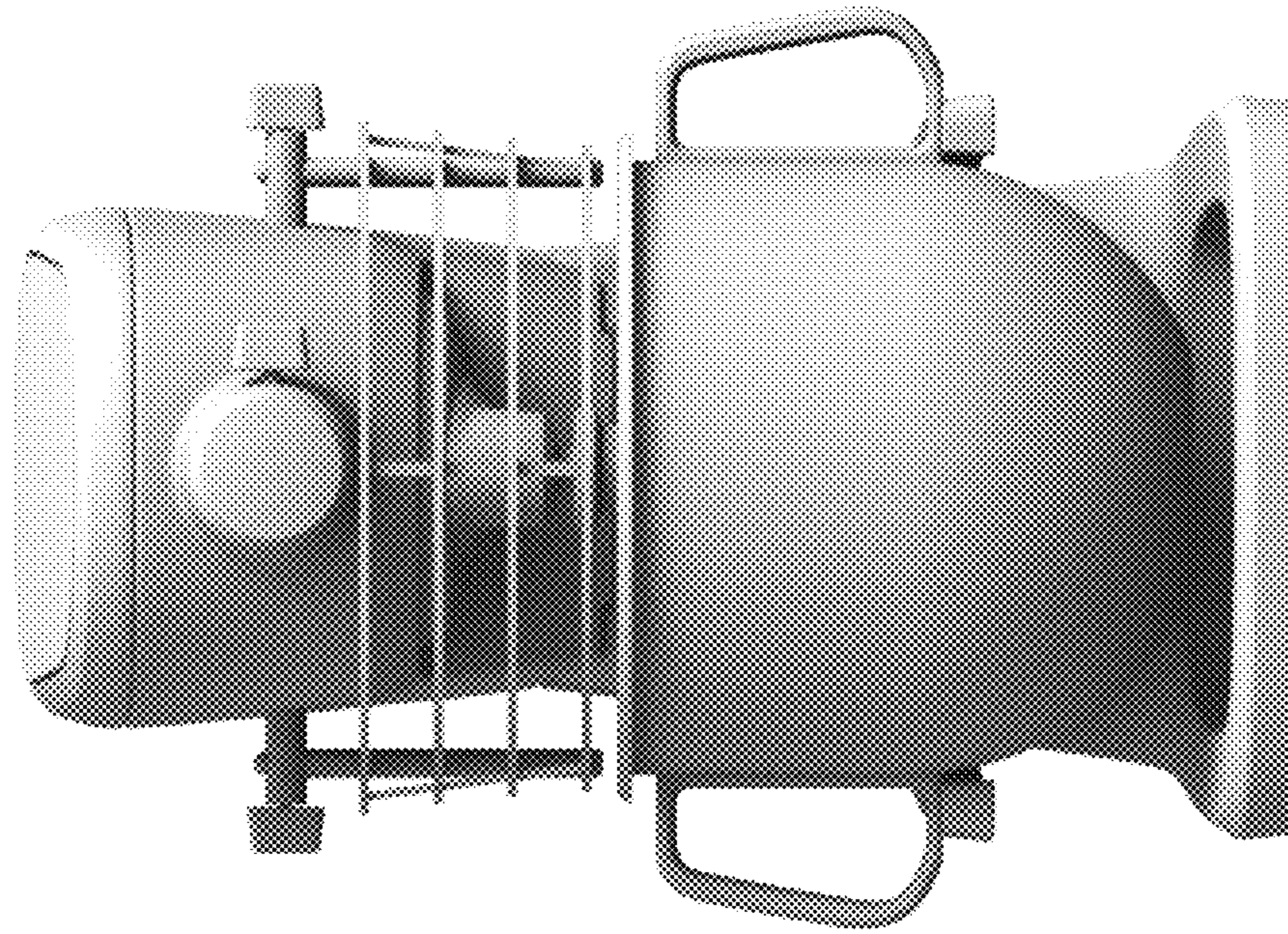


FIG. 9

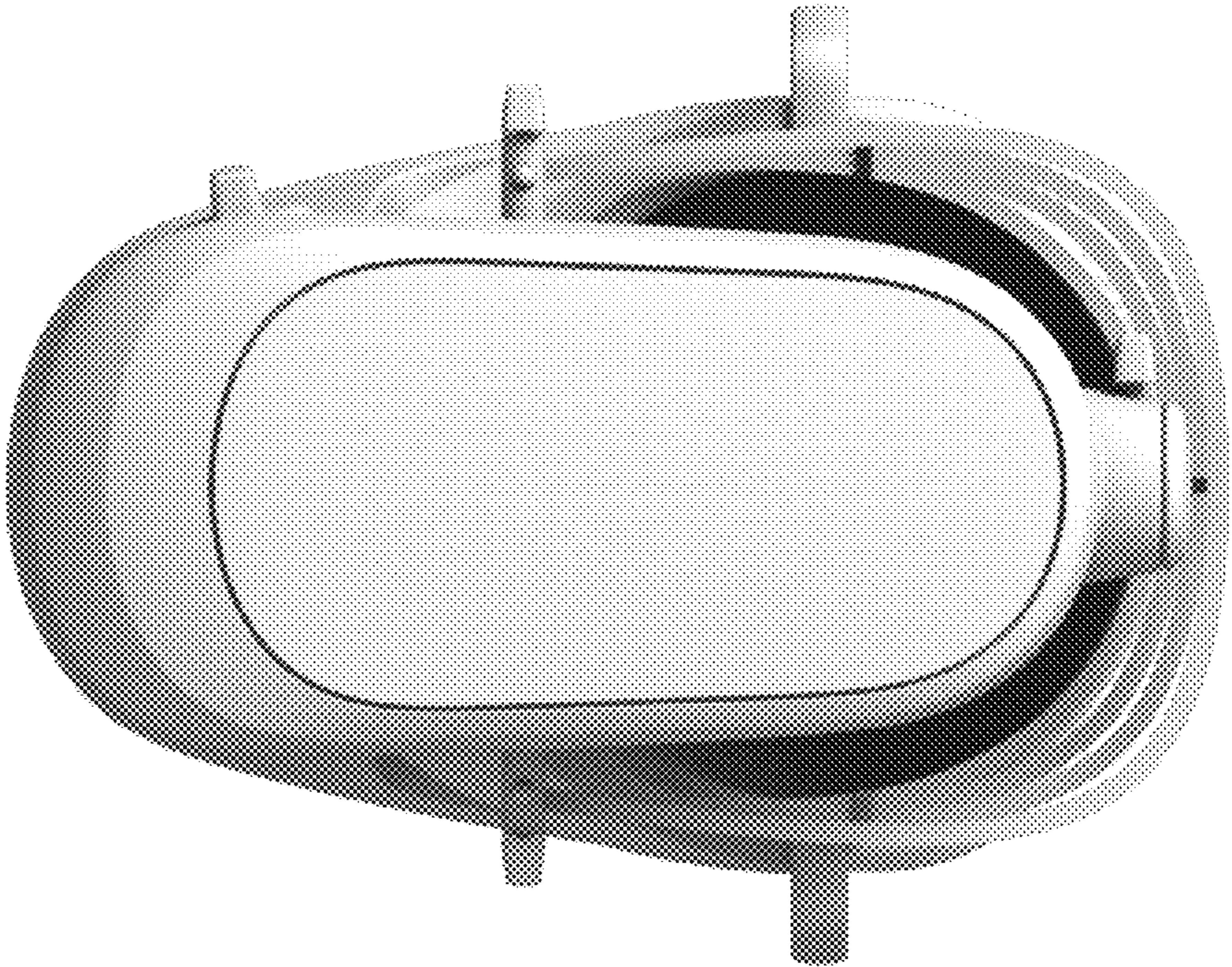


FIG. 10

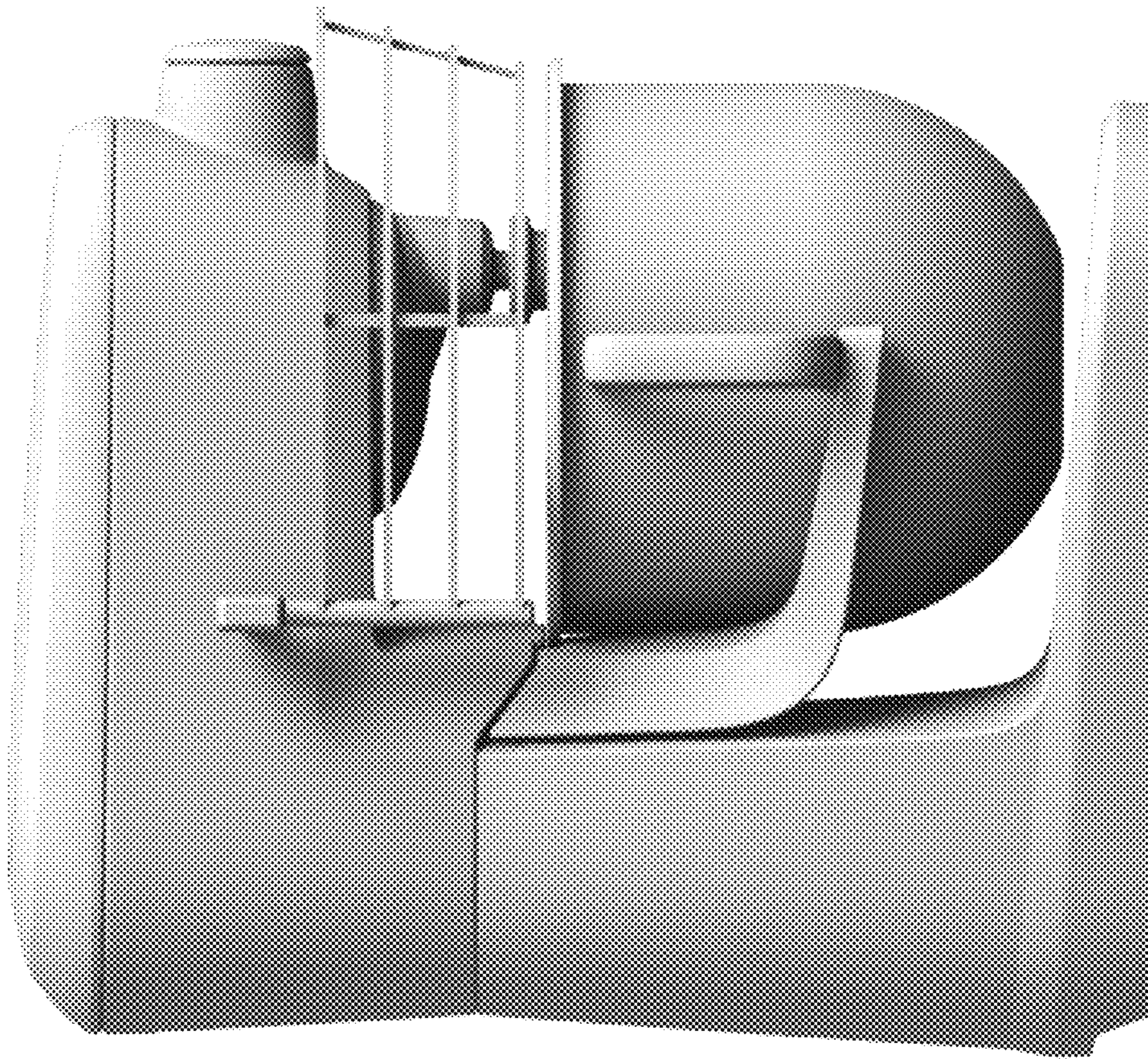


FIG. 11

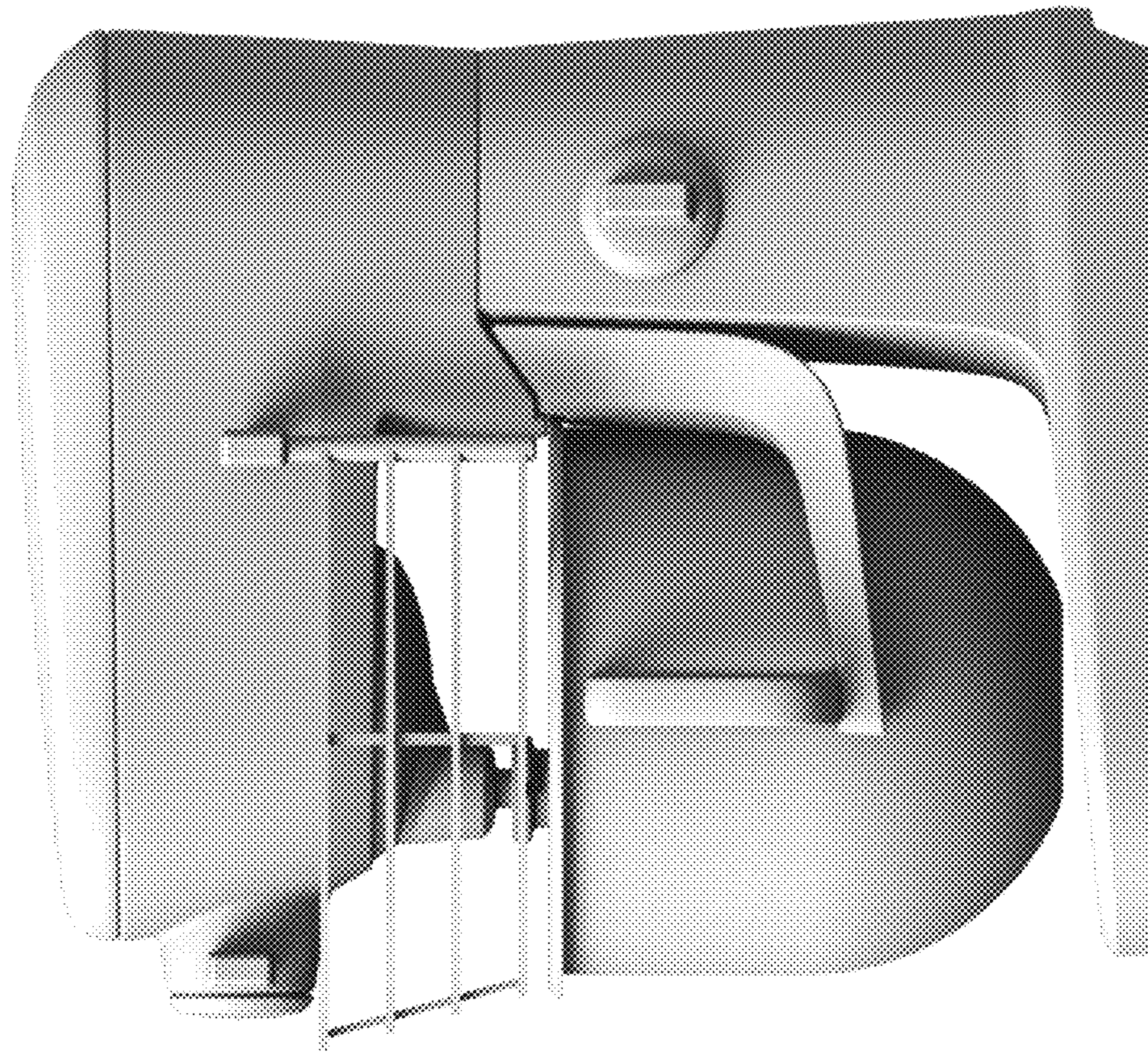


FIG. 12

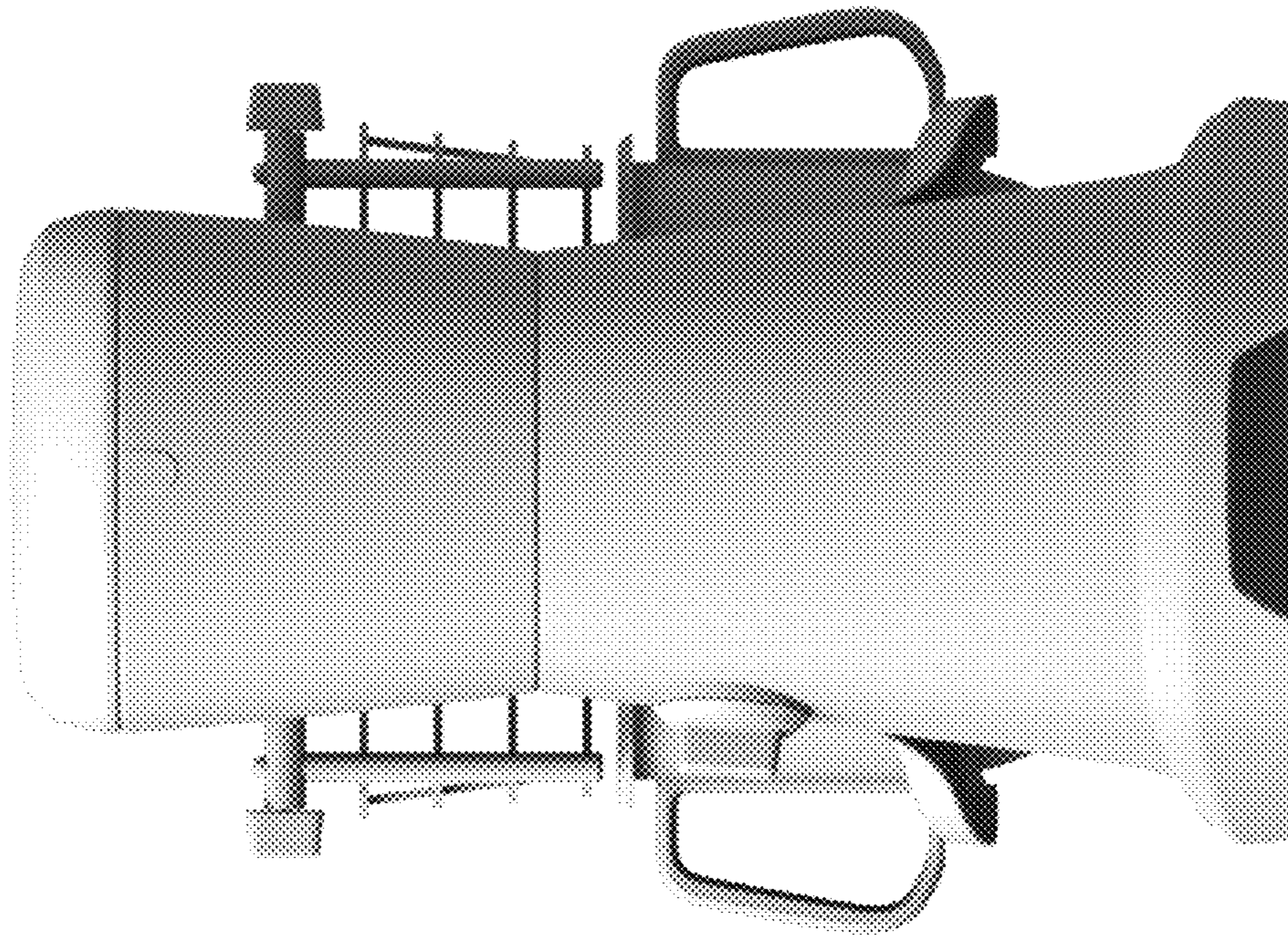


FIG. 13

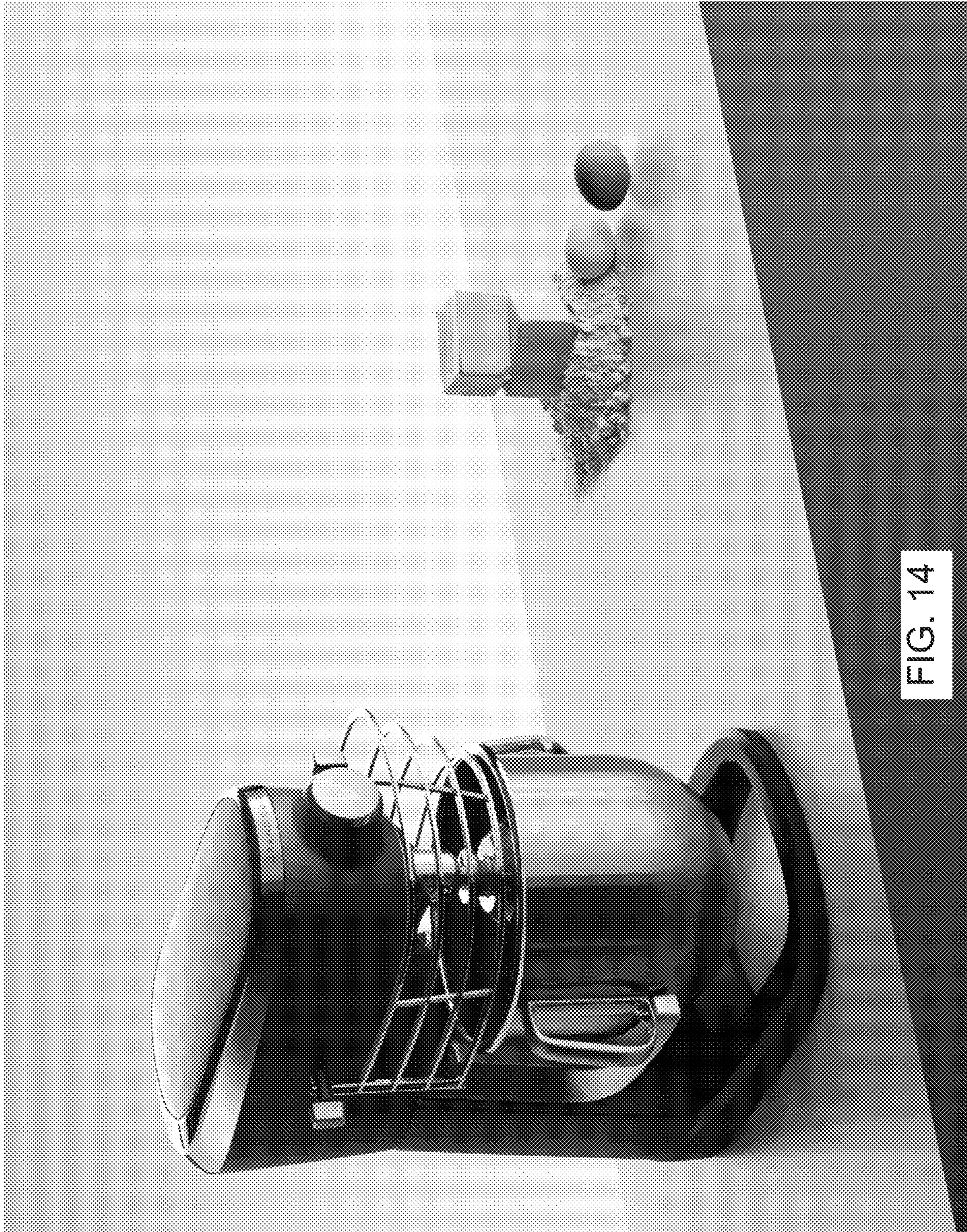


FIG. 14



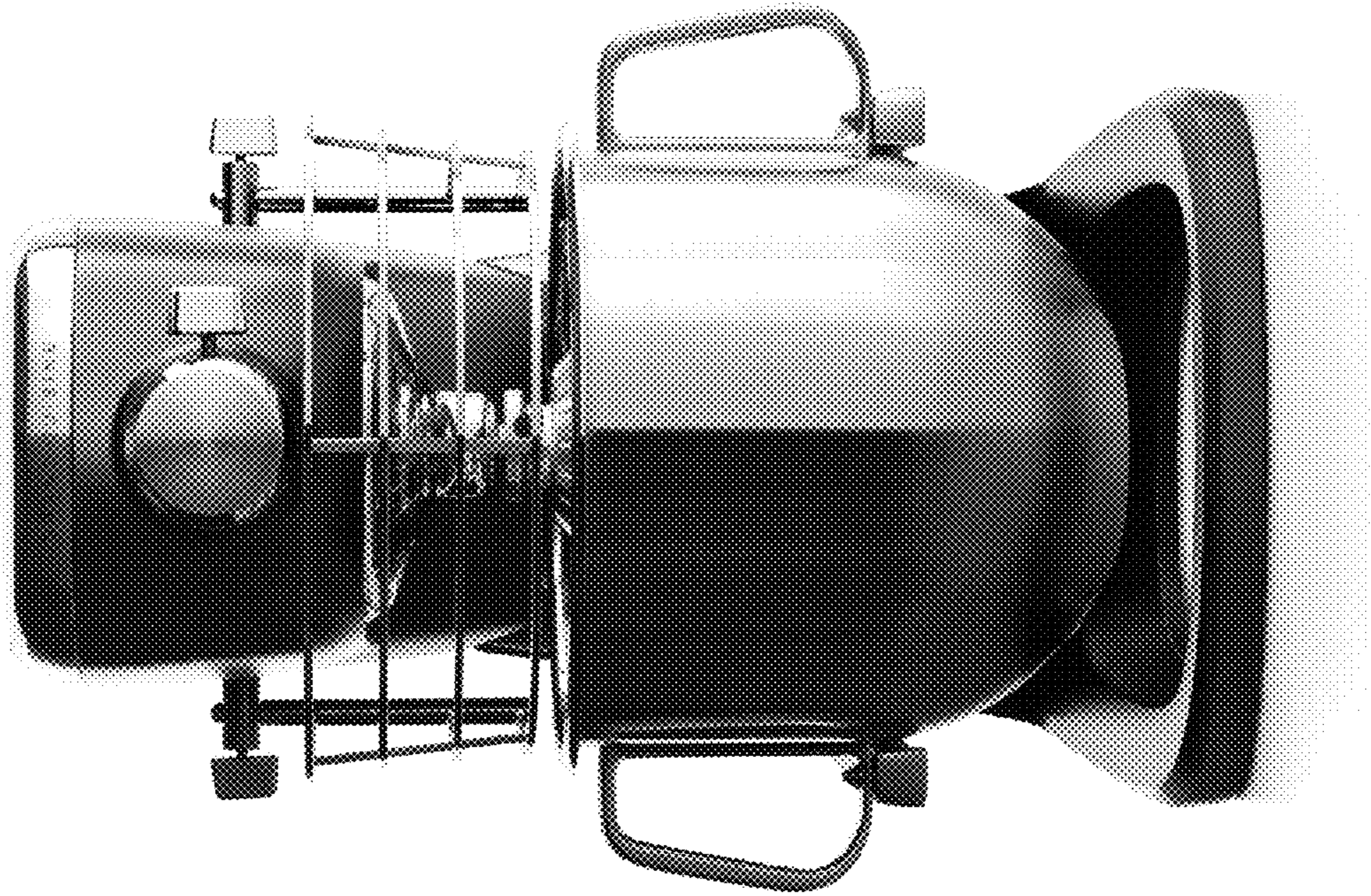


FIG. 15