



US00D683577S

(12) **United States Design Patent**
Cohen

(10) **Patent No.:** **US D683,577 S**
(45) **Date of Patent:** **** Jun. 4, 2013**

(54) **KITCHEN APPLIANCE**

(56) **References Cited**

(71) Applicant: **Intellectual Property Group Inc.,**
Tortola (VG)

(72) Inventor: **Paul Cohen,** Cammeray (AU)

(73) Assignee: **Intellectual Property Group Inc.,**
Tortola (VG)

(**) Term: **14 Years**

(21) Appl. No.: **29/436,016**

(22) Filed: **Oct. 31, 2012**

(30) **Foreign Application Priority Data**

Jun. 5, 2012 (RU) 2012501769

(51) **LOC (9) Cl.** **31-00**

(52) **U.S. Cl.**
USPC **D7/372**

(58) **Field of Classification Search**

USPC D7/301-313, 316-319, 356-357,
D7/368, 372-386, 391-398, 412-415, 503,
D7/515, 665, 679, 691-693, 706; 99/275,
99/287, 326, 348, 492, 508-512; 211/74,
211/77, 85.4; 241/30-37.5, 82.4, 101.01-101.2,
241/166-169.1, 172, 272, 285.1-285.3, 291,
241/292.1; 366/64-67, 98, 130, 142-144,
366/192-212, 241-254, 262, 279-292, 325.8,
366/325.92, 341-347; 416/75-77, 70 R,
416/163

See application file for complete search history.

U.S. PATENT DOCUMENTS

1,951,826	A	*	3/1934	Foster	241/37.5
2,524,860	A	*	10/1950	Vant	241/82.4
2,965,145	A	*	12/1960	Gutfreund	241/285.1
D222,209	S	*	10/1971	Dykes	D7/372
D236,283	S	*	8/1975	McCue	D7/372
D254,949	S	*	5/1980	Besford	D7/379
D256,319	S	*	8/1980	Ernest et al.	D7/412
D362,597	S	*	9/1995	Kim	D7/665
D376,736	S	*	12/1996	Kim	D7/665
D495,921	S	*	9/2004	Lallemand	D7/372
D526,539	S	*	8/2006	Yip et al.	D7/665
D610,396	S	*	2/2010	Chiang	D7/372

* cited by examiner

Primary Examiner — Ricky Pham

(74) *Attorney, Agent, or Firm* — Finnegan, Henderson, Farabow, Garrett and Dunner, LLP

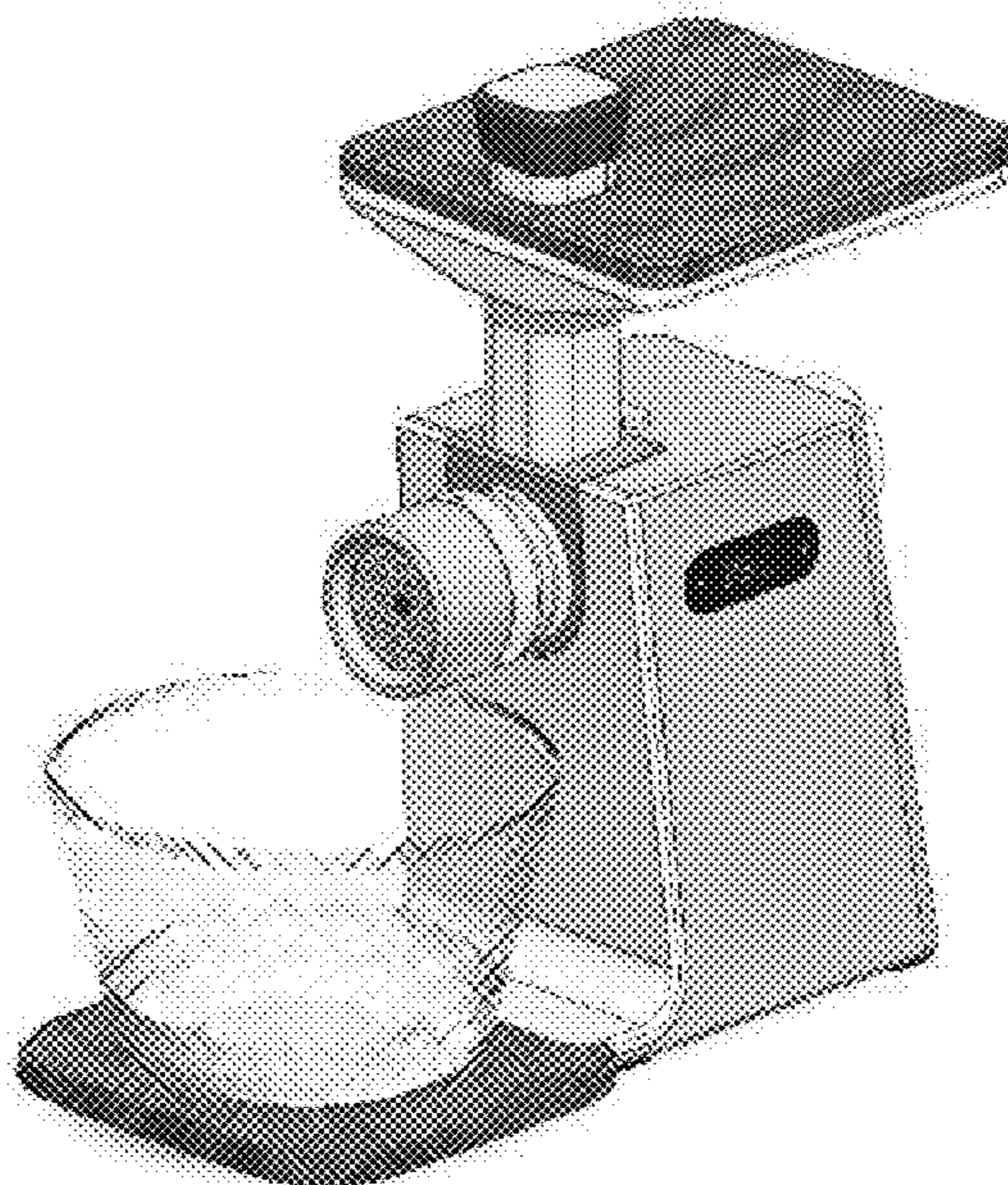
(57) **CLAIM**

The ornamental design for a kitchen appliance, as shown and described.

DESCRIPTION

FIG. 1 is a front perspective view of a kitchen appliance, showing my new design;
FIG. 2 is a front view thereof;
FIG. 3 is rear view thereof;
FIG. 4 is a right side view thereof, the indicia being no part of he claimed design;
FIG. 5 is a left side view thereof; and,
FIG. 6 is a top plan view thereof.
The bottom view is not seen during ordinary use and is no part of the claimed design. The bowl and bowl stand depicted in light cross-hatched lines is environment and is not part of the claimed design.

1 Claim, 6 Drawing Sheets



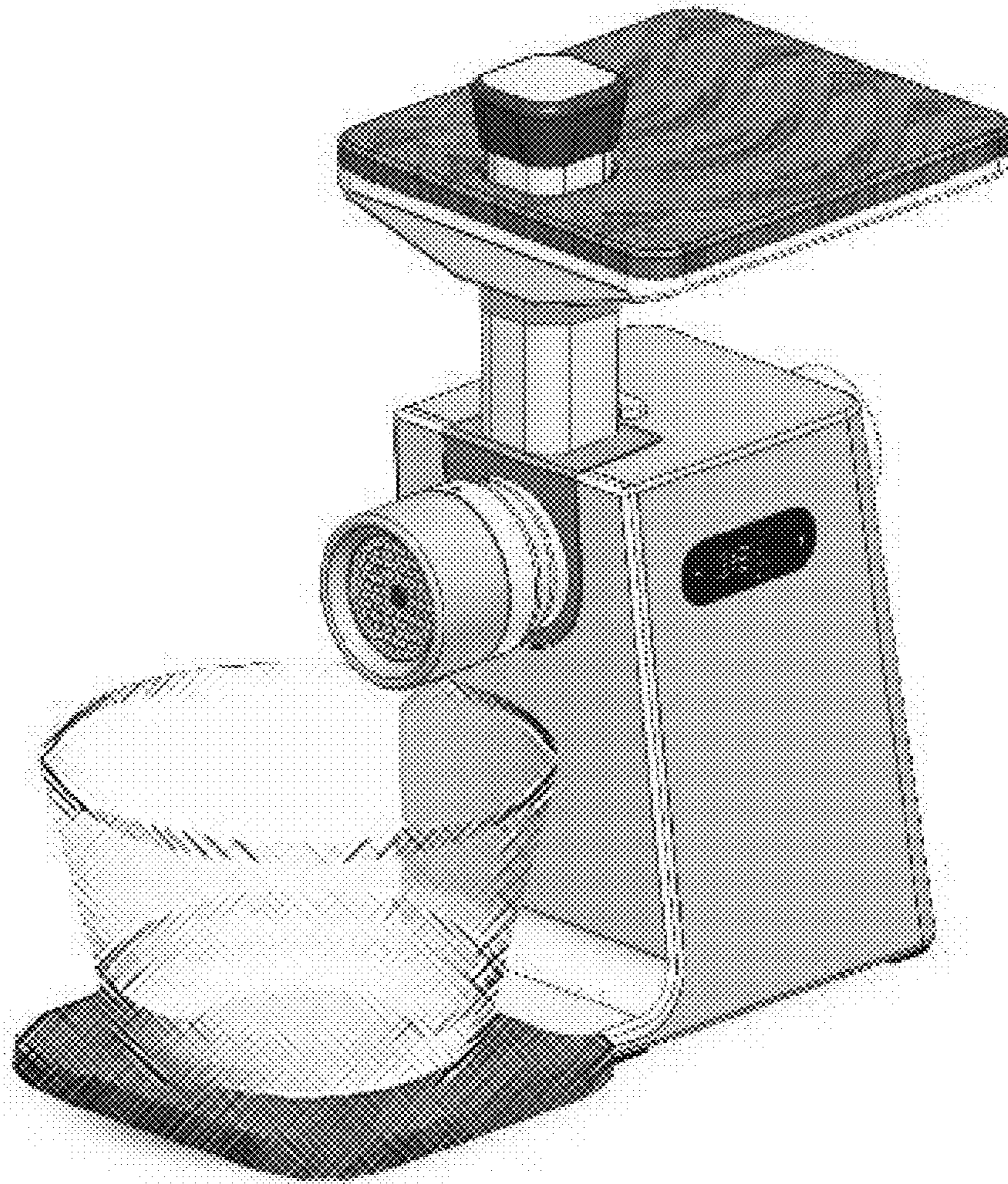


FIG. 1

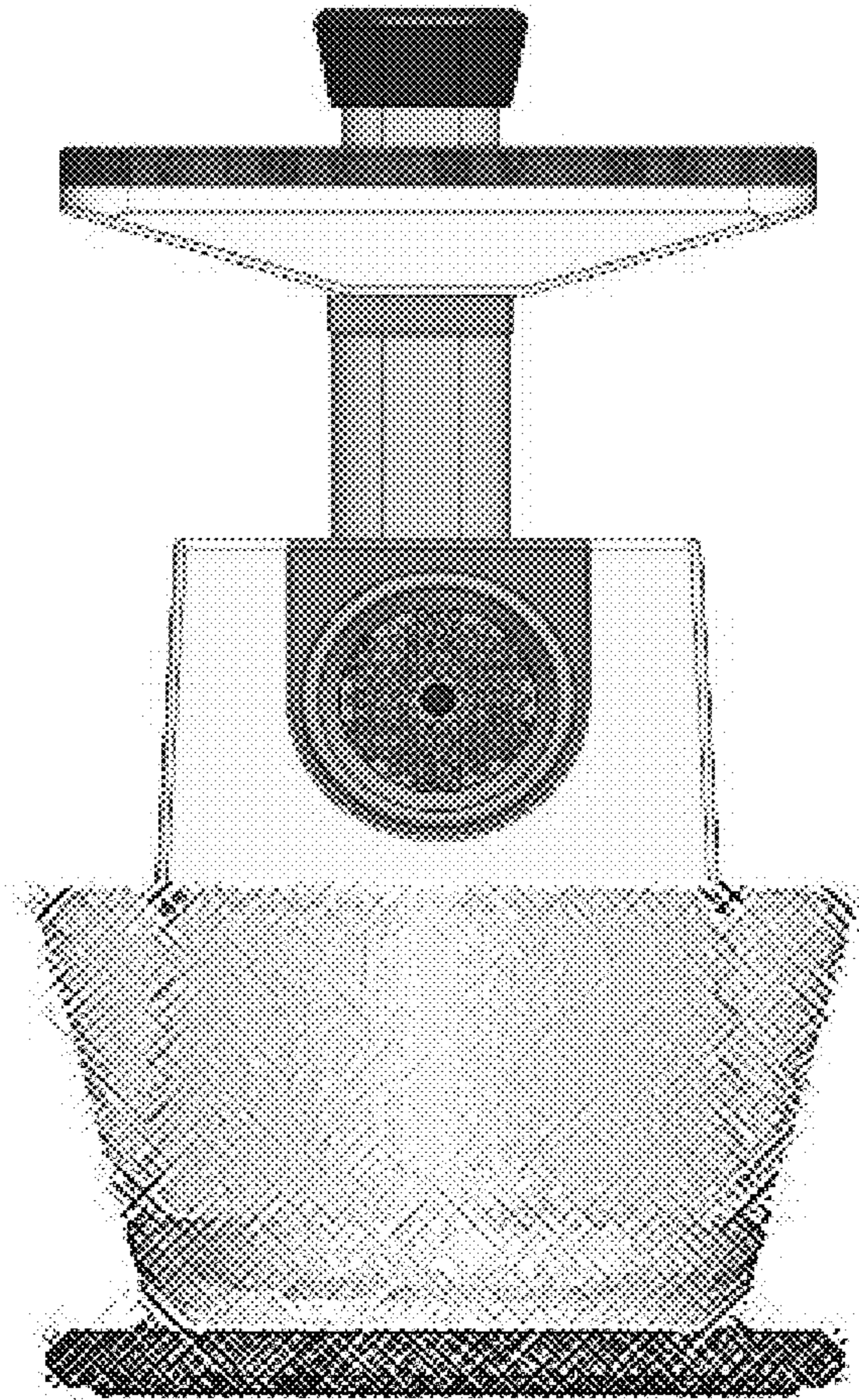


FIG. 2

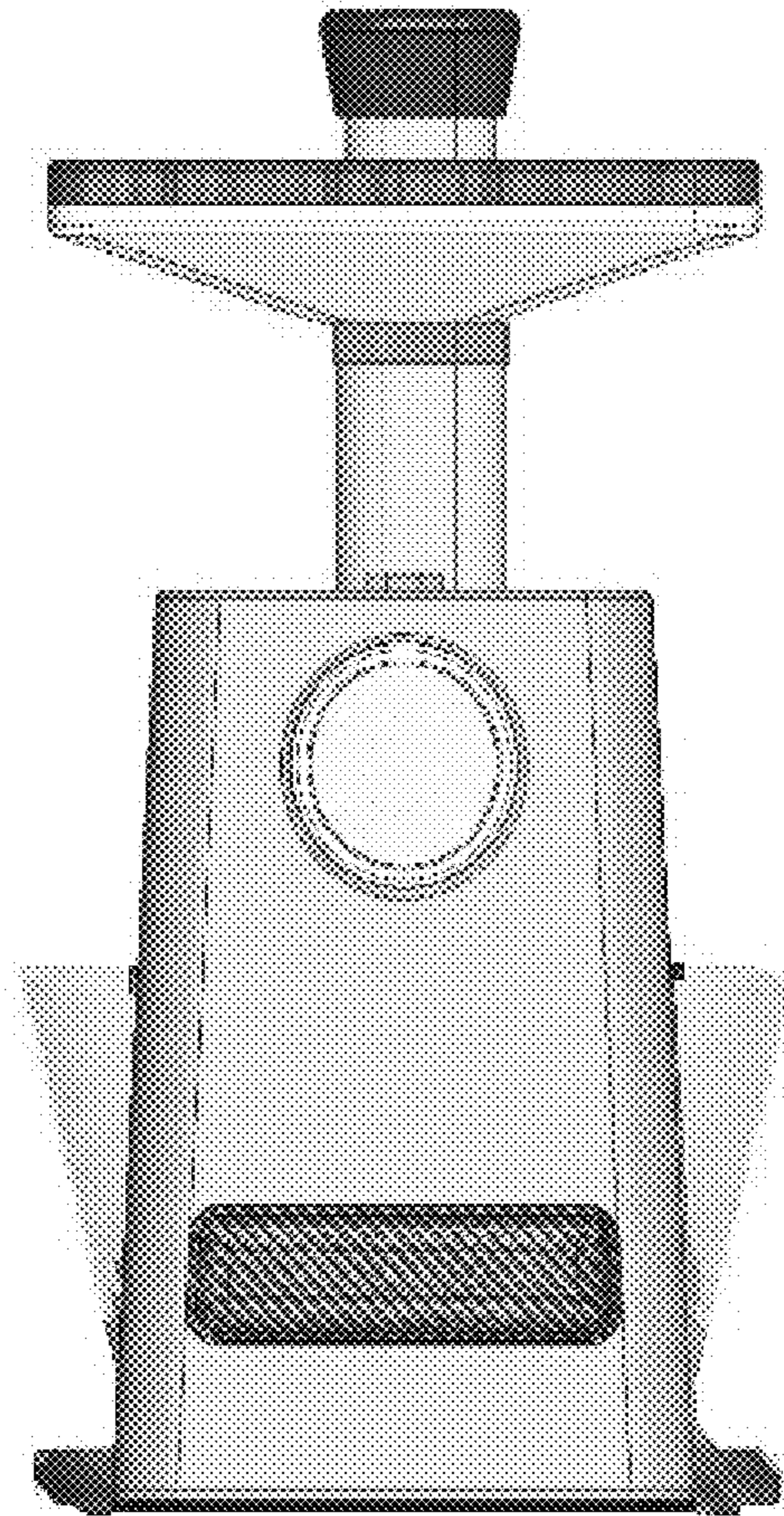


FIG. 3



FIG. 4

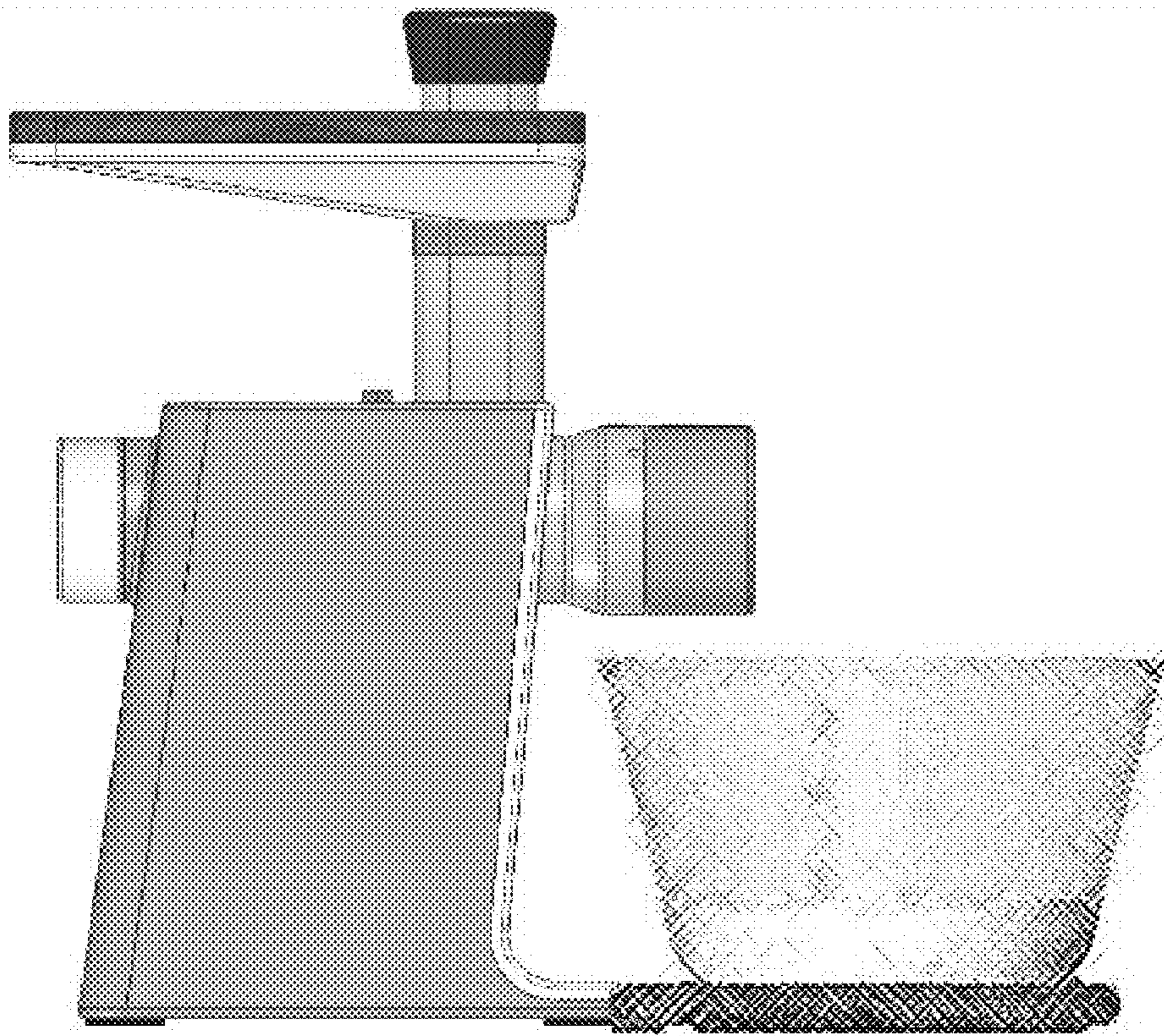


FIG. 5

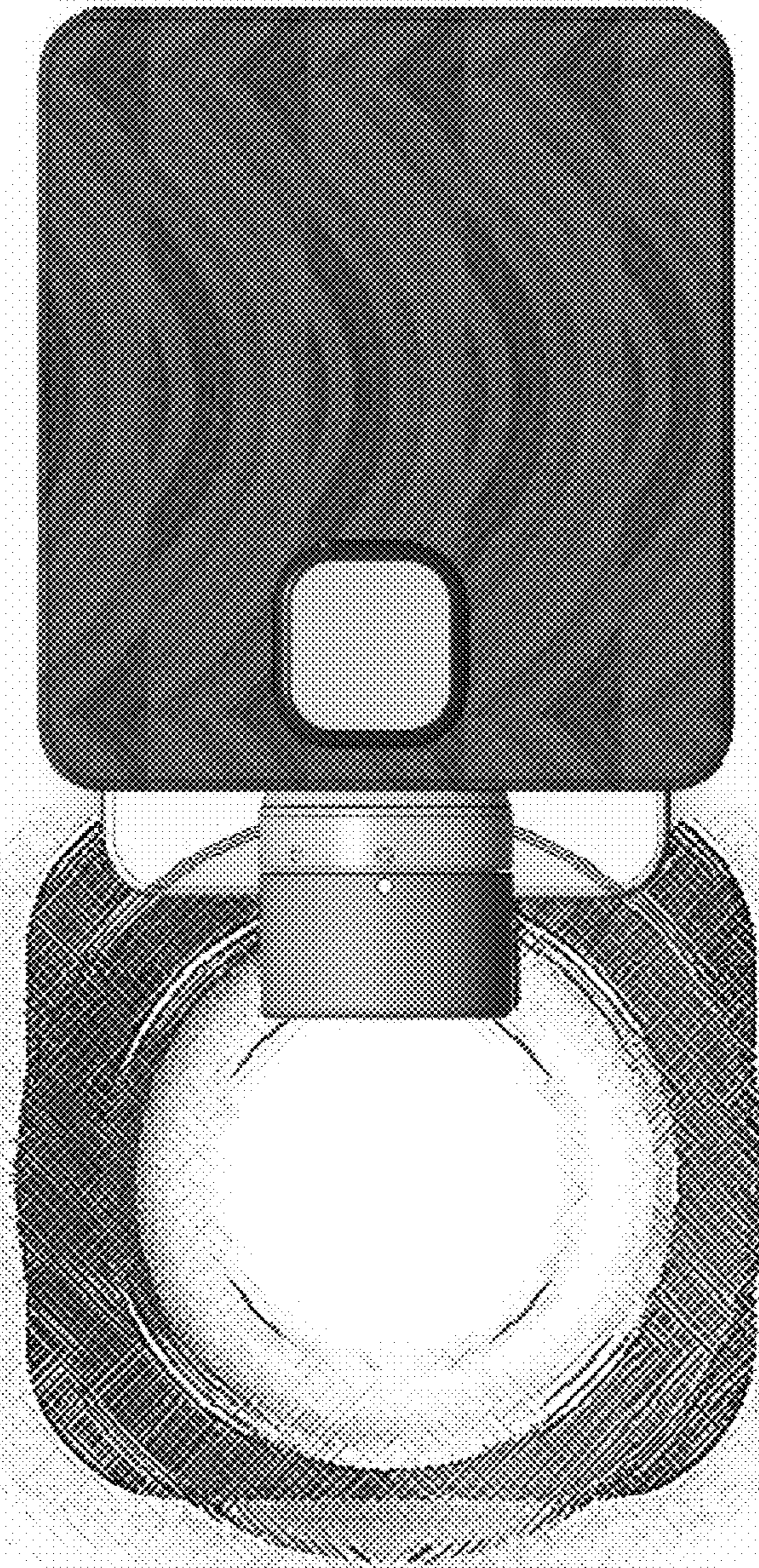


FIG. 6