



US00D683576S

(12) **United States Design Patent**
Lee et al.

(10) **Patent No.:** **US D683,576 S**
(45) **Date of Patent:** **** Jun. 4, 2013**

(54) **MICROWAVE OVEN**
(75) Inventors: **Gilock Lee**, Seoul (KR); **Jung Kyung Kwack**, Seoul (KR)
(73) Assignee: **Samsung Electronics Co., Ltd.**, Gyeonggi-do (KR)
(**) Term: **14 Years**
(21) Appl. No.: **29/374,742**
(22) Filed: **Sep. 29, 2011**
(51) **LOC (9) Cl.** **07-02**
(52) **U.S. Cl.**
USPC **D7/351**
(58) **Field of Classification Search**
USPC D7/350.1–350.4, 351, 402, 405,
D7/406; 219/756–758, 391; 126/19 M, 21 A,
126/275 E; 99/352
See application file for complete search history.

D583,614 S * 12/2008 Chung et al. D7/351
D607,264 S * 1/2010 Lee D7/351
D631,688 S * 2/2011 Kim et al. D7/351
D633,328 S * 3/2011 Shin D7/351
D633,750 S * 3/2011 Baek et al. D7/351
D633,751 S * 3/2011 Baek et al. D7/351
D634,576 S * 3/2011 Baek et al. D7/351

* cited by examiner

Primary Examiner — Ruth McInroy
(74) *Attorney, Agent, or Firm* — Harness, Dickey & Pierce

(57) **CLAIM**
We claim the ornamental design for a microwave oven, as shown and described.

DESCRIPTION

FIG. 1 is a top, front and right side perspective view of a microwave oven showing our new design; FIG. 2 is a front elevational view thereof; FIG. 3 is a rear elevational view thereof; FIG. 4 is a left side elevational view thereof; FIG. 5 is a right side elevational view thereof; FIG. 6 is a top plan view thereof; FIG. 7 is a bottom plan view thereof; and, FIG. 8 is a bottom, front and right side perspective view thereof.

1 Claim, 8 Drawing Sheets

(56) **References Cited**
U.S. PATENT DOCUMENTS
D63,212 S * 11/1923 Baylis D6/603
D518,680 S * 4/2006 Kim D7/351
D532,645 S * 11/2006 Lee D7/351
D576,834 S * 9/2008 Shin et al. D7/351

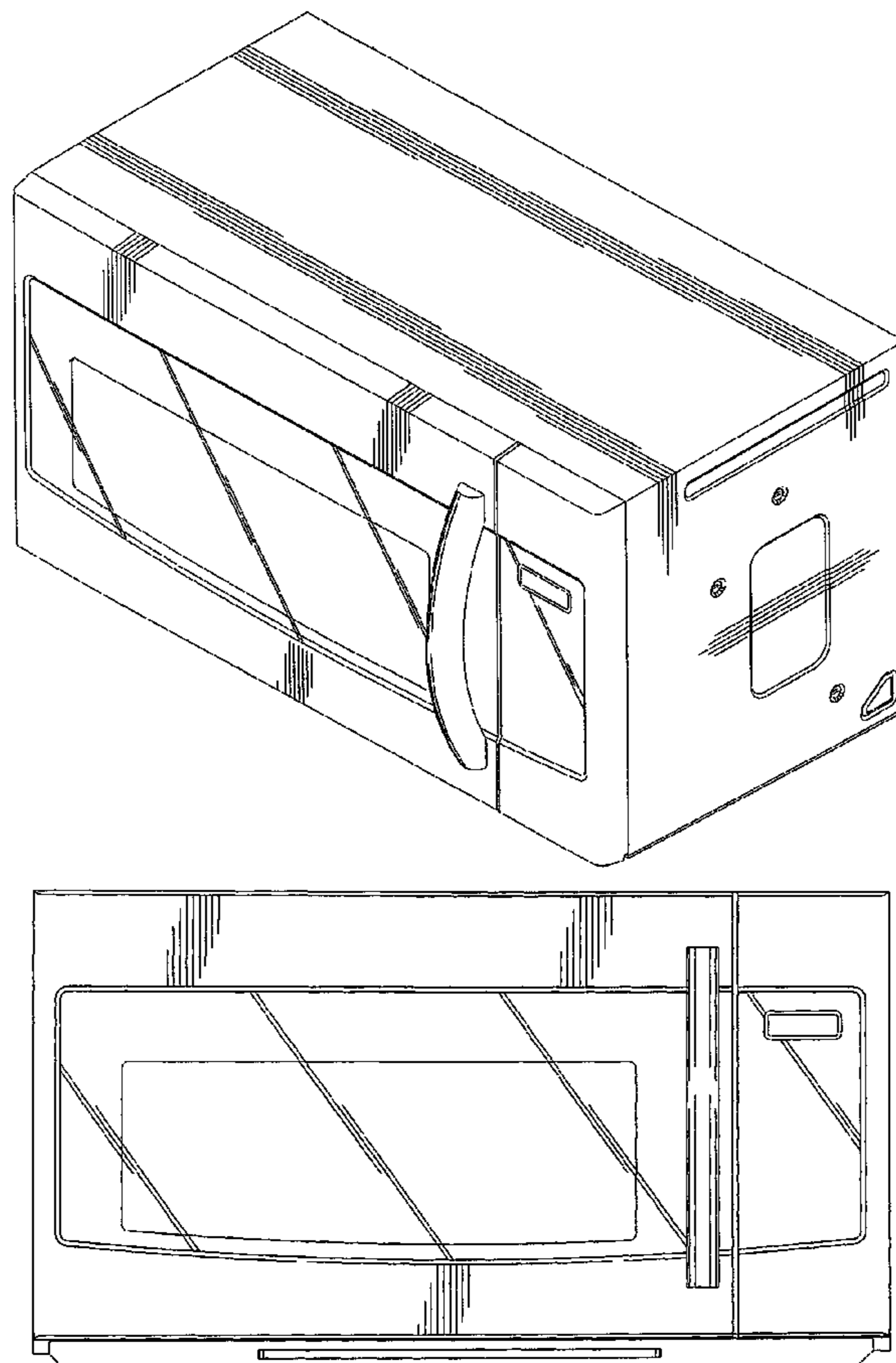


FIG. 1

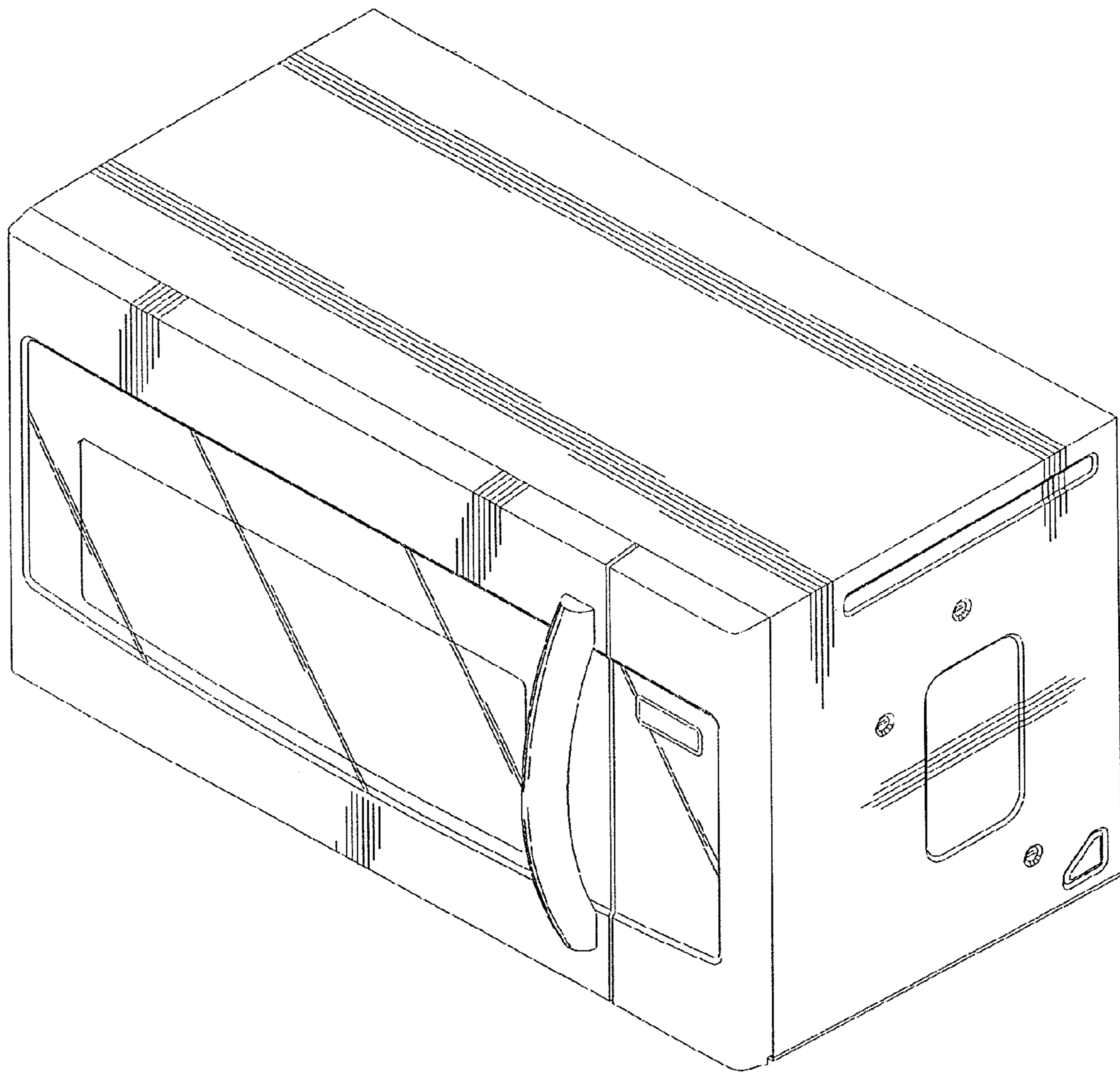


FIG. 2

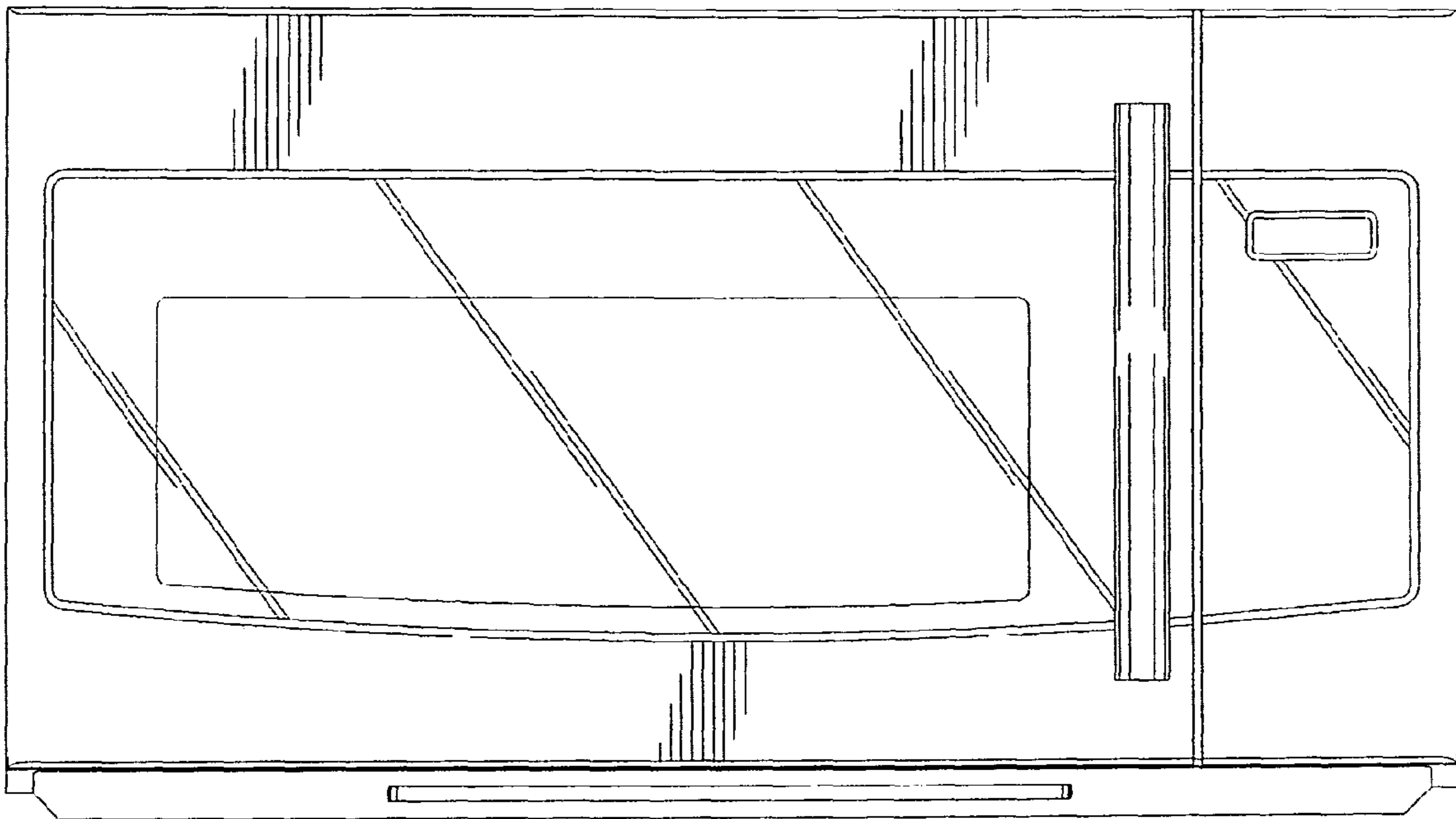


FIG. 3

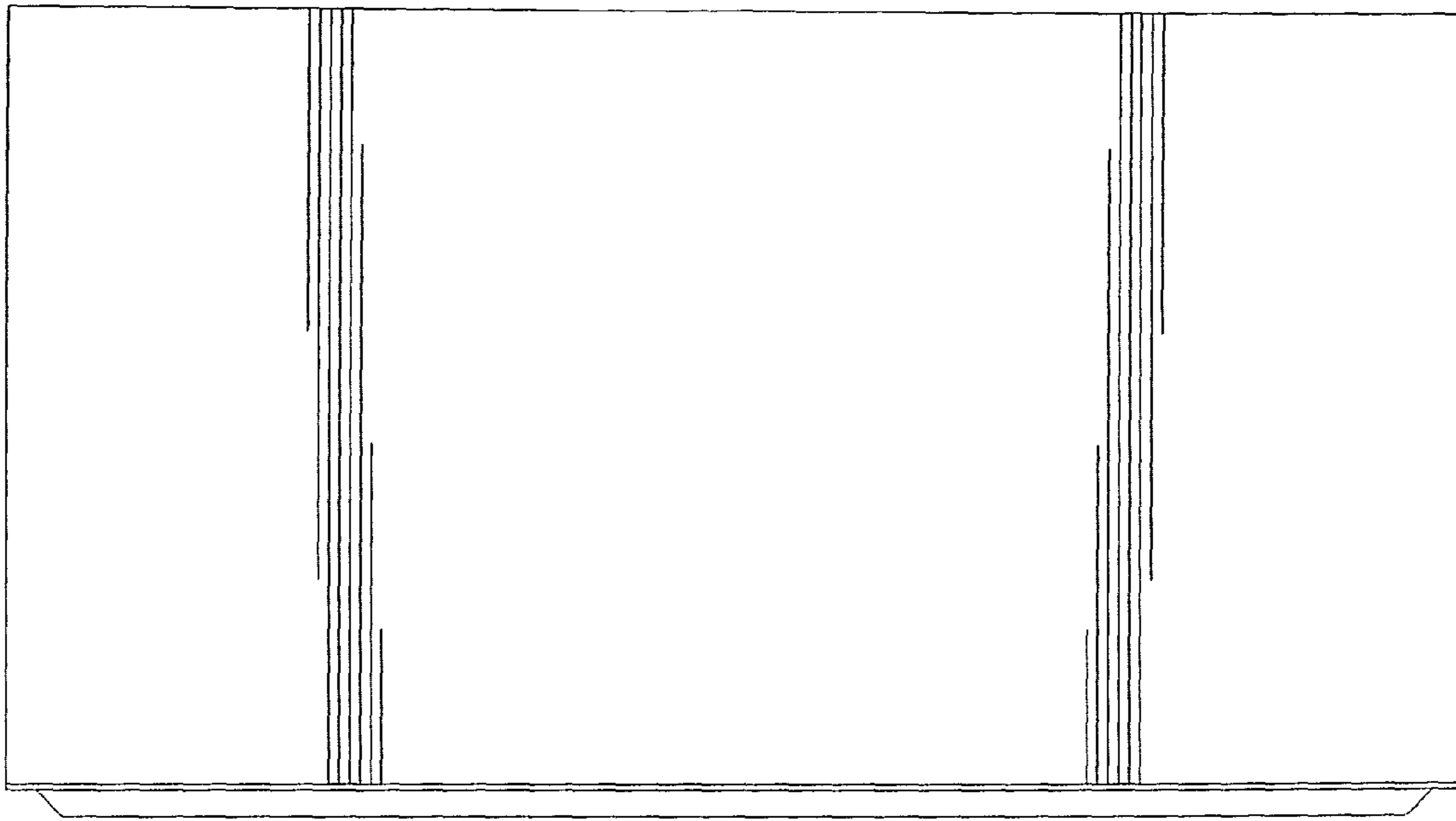


FIG. 4

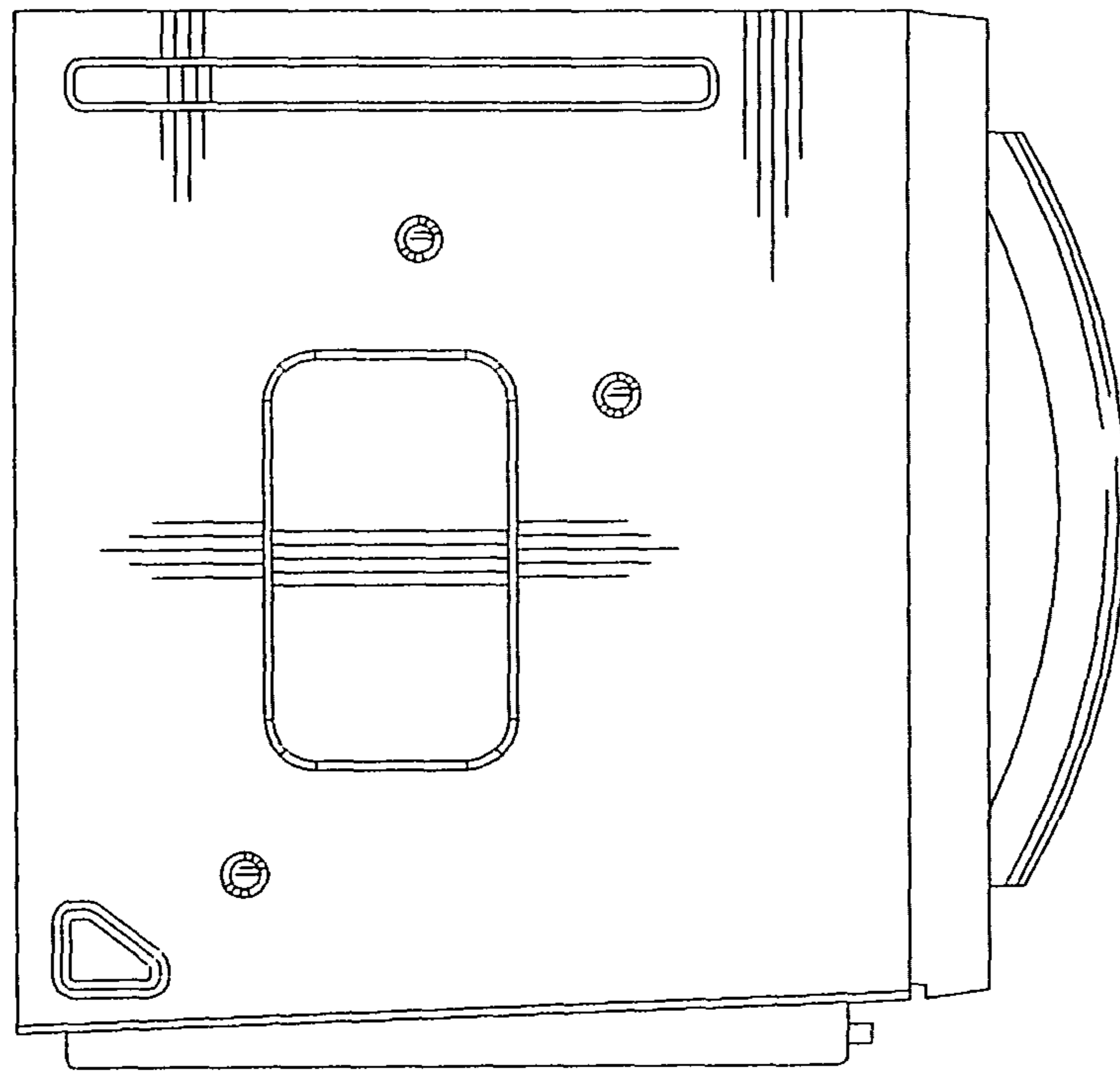


FIG. 5

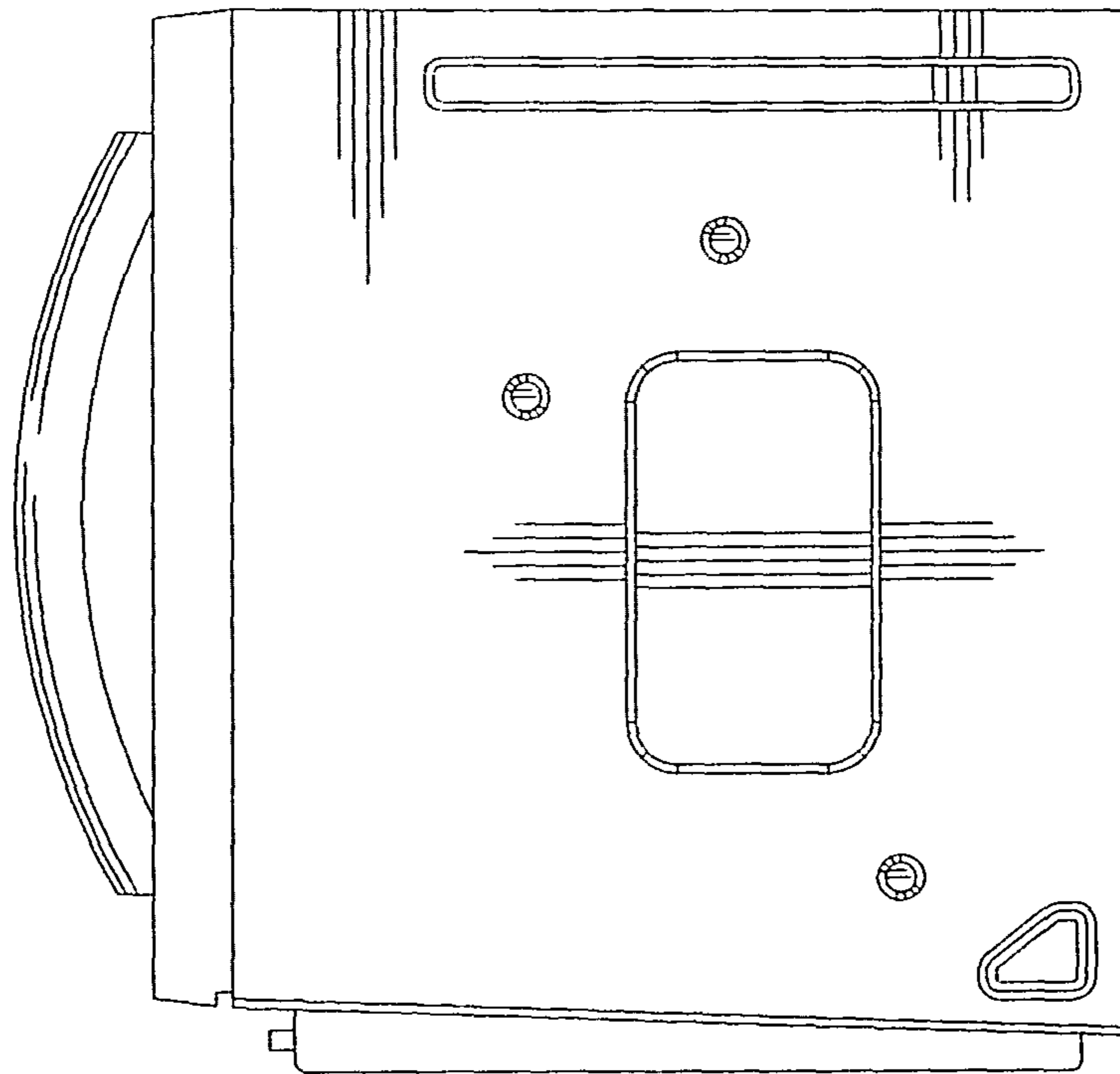


FIG. 6

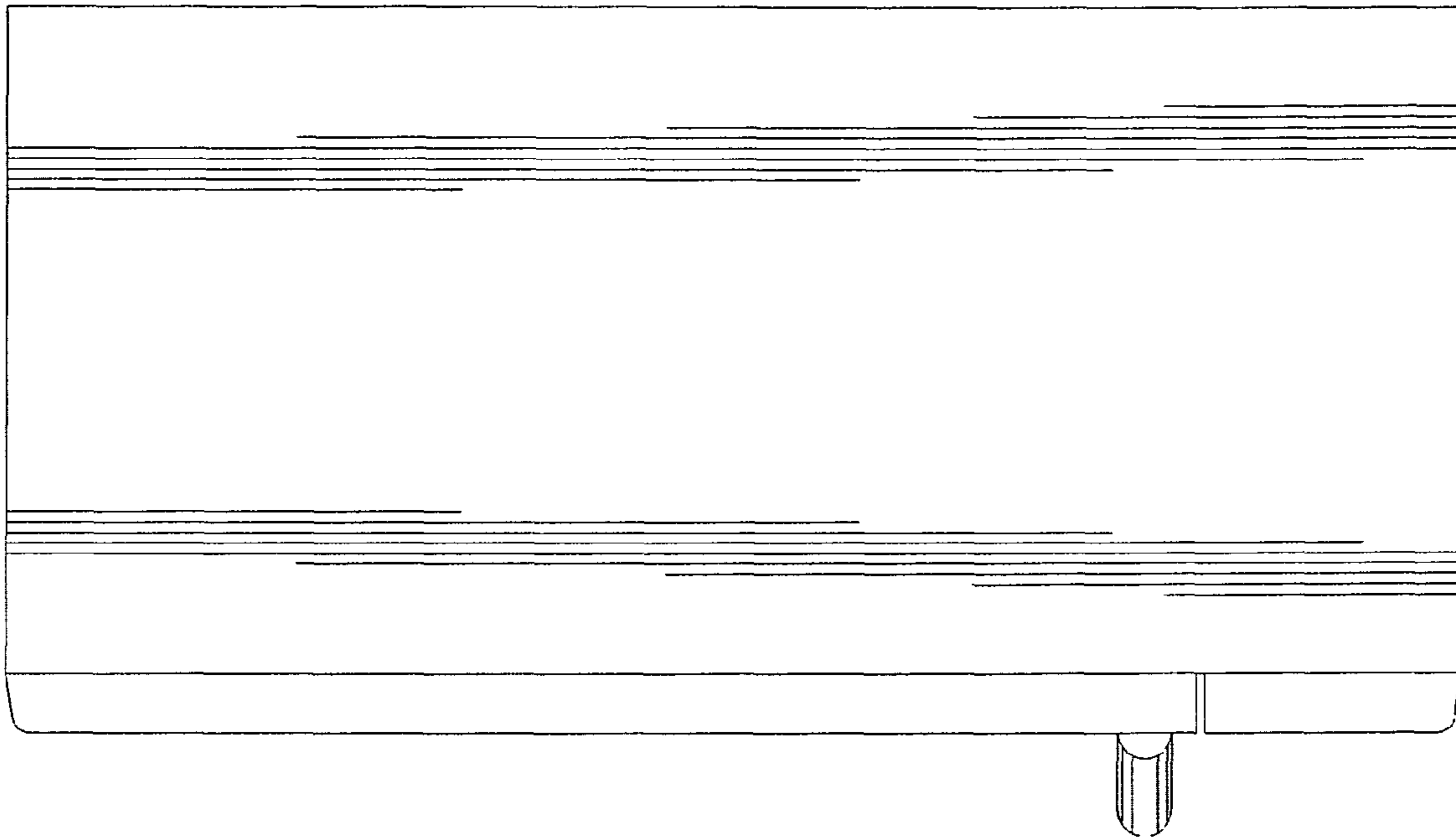


FIG. 7

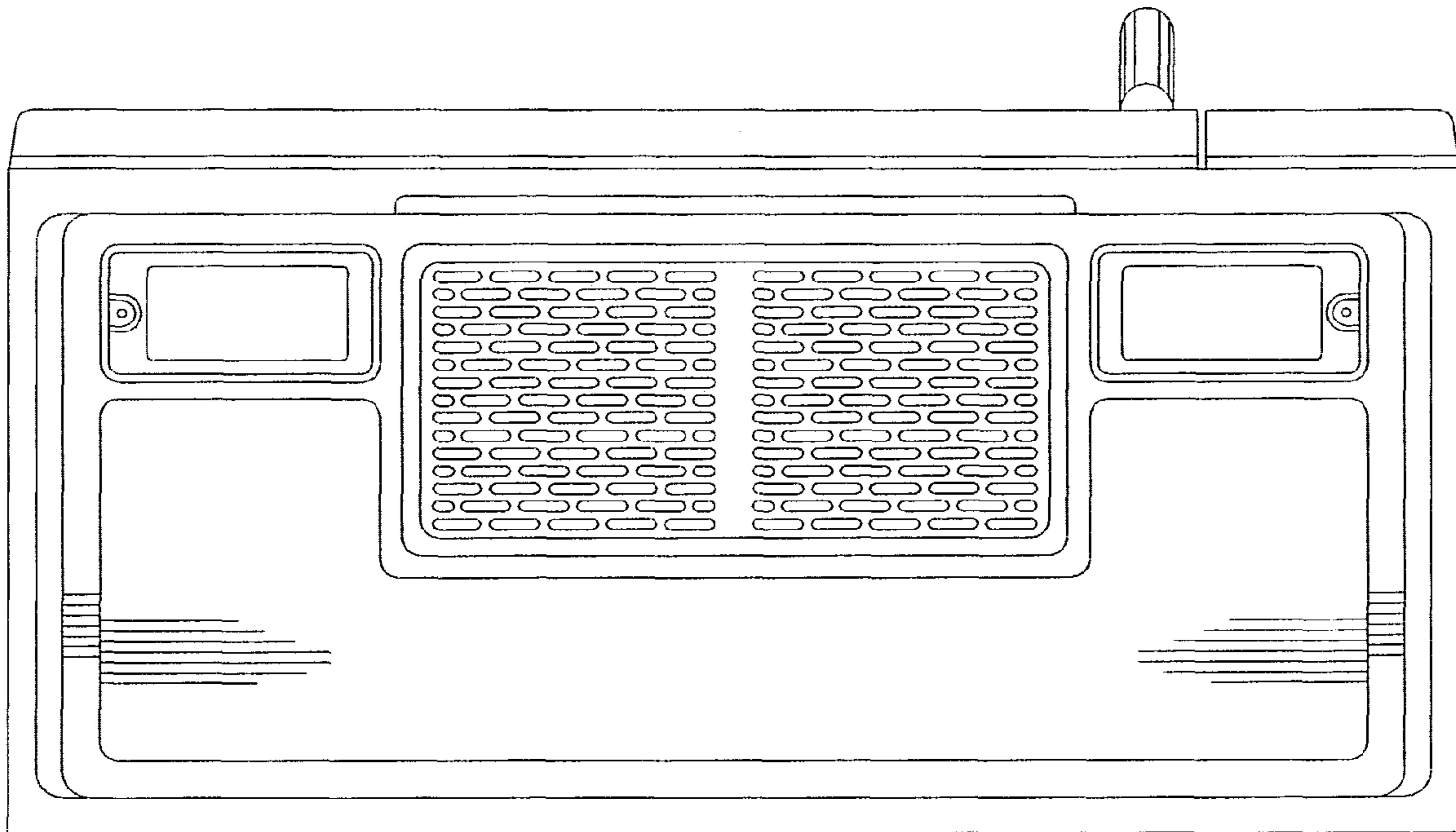


FIG. 8

