



US00D683574S

(12) **United States Design Patent**
Su

(10) **Patent No.:** **US D683,574 S**
(45) **Date of Patent:** **** Jun. 4, 2013**

(54) **CHAIR BACKREST**

(76) Inventor: **Tung-Hua Su, Tainan (TW)**

(**) Term: **14 Years**

(21) Appl. No.: **29/429,730**

(22) Filed: **Aug. 15, 2012**

(51) **LOC (9) Cl.** **06-01**

(52) **U.S. Cl.**
USPC **D6/716.4; D6/366**

(58) **Field of Classification Search**
USPC D6/334-336, 364, 365, 366, 369,
D6/374, 379, 380, 716, 716.1, 716.2, 716.3,
D6/716.4; 297/284.4, 284.7, 452.13, 452.29,
297/452.3, 452.46, 452.56, 452.64

See application file for complete search history.

(56) **References Cited**

U.S. PATENT DOCUMENTS

D489,191 S	*	5/2004	Ma	D6/366
D514,832 S	*	2/2006	Tsai	D6/366
D534,384 S	*	1/2007	Su	D6/716.4
D540,080 S	*	4/2007	Su	D6/716.4
D540,580 S	*	4/2007	Su	D6/716.4
D543,398 S	*	5/2007	Su	D6/716.4

D579,695 S	*	11/2008	Wu	D6/716
D580,198 S	*	11/2008	Wu	D6/716.4
D650,617 S	*	12/2011	Chen	D6/716
D660,621 S	*	5/2012	Su	D6/716.4
D660,622 S	*	5/2012	Su	D6/716.4
D661,136 S	*	6/2012	Su	D6/716.4
D661,137 S	*	6/2012	Su	D6/716.4

* cited by examiner

Primary Examiner — Mimoso De

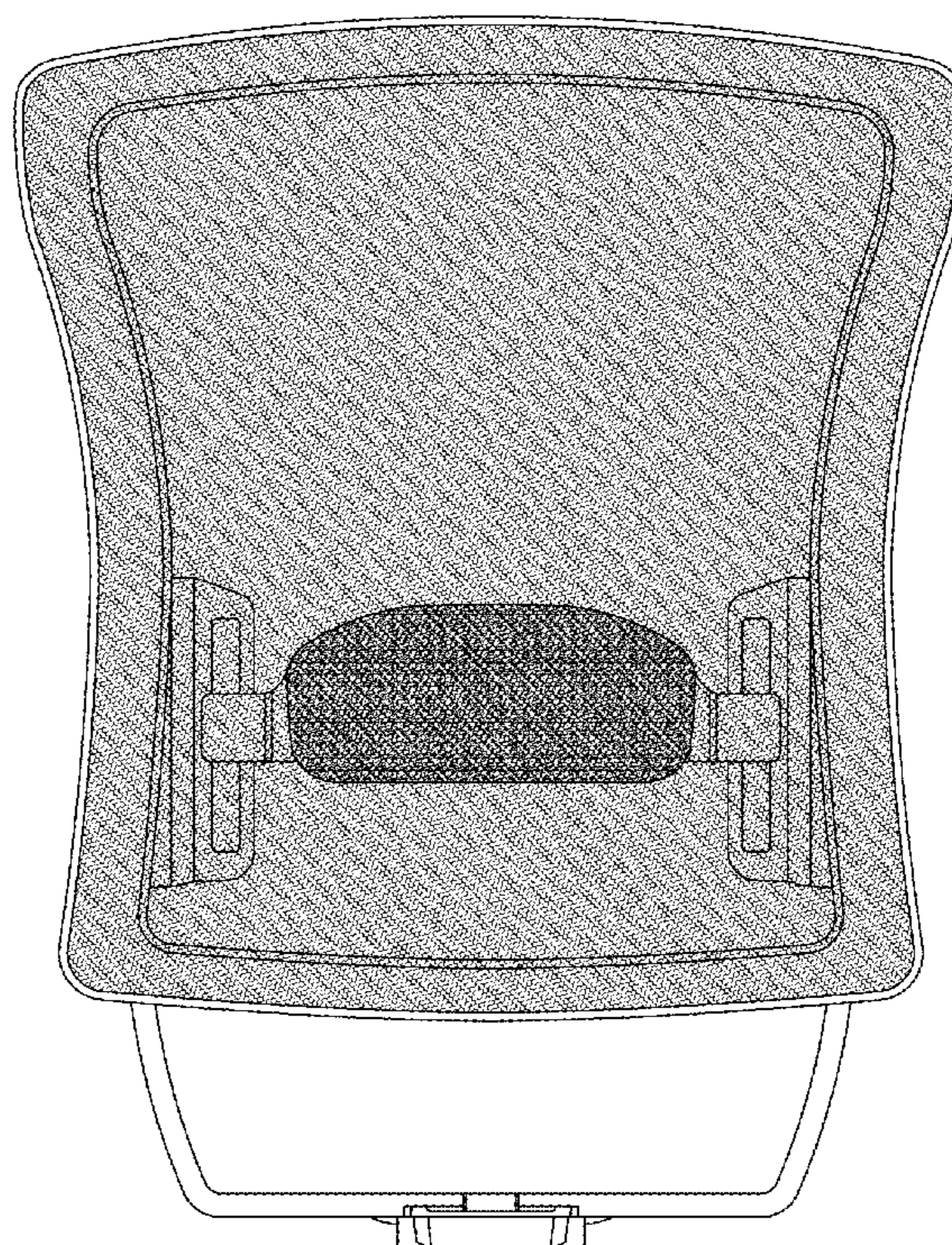
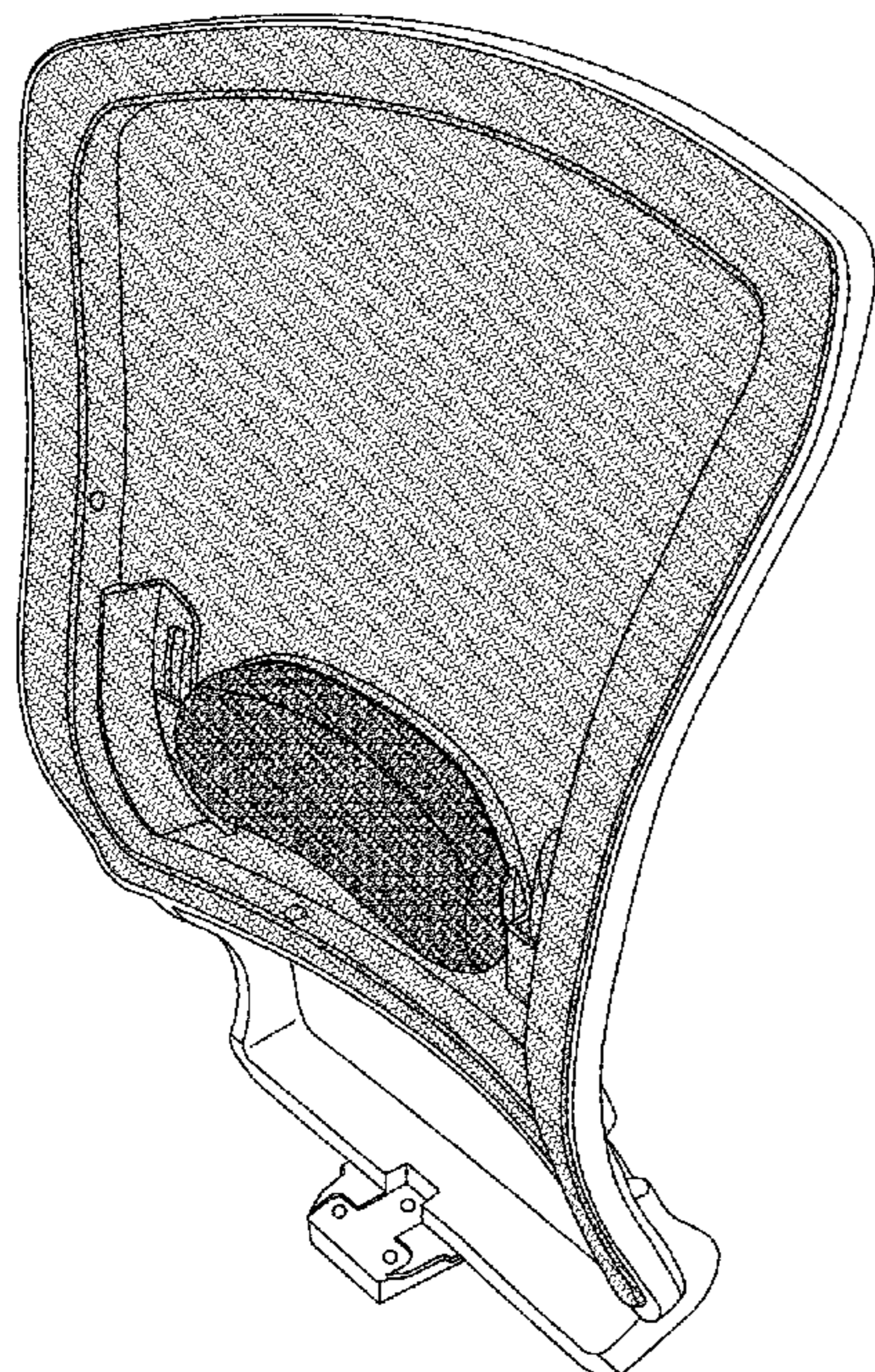
(57) **CLAIM**

The ornamental design for a chair backrest, as shown and described.

DESCRIPTION

FIG. 1 is a perspective view of the chair backrest showing my new design;
FIG. 2 is a front elevation view thereof;
FIG. 3 is a rear elevation view thereof;
FIG. 4 is a left side elevation view thereof;
FIG. 5 is a right side elevation view thereof;
FIG. 6 is a top plan view thereof; and,
FIG. 7 is a bottom plan view thereof.

1 Claim, 7 Drawing Sheets



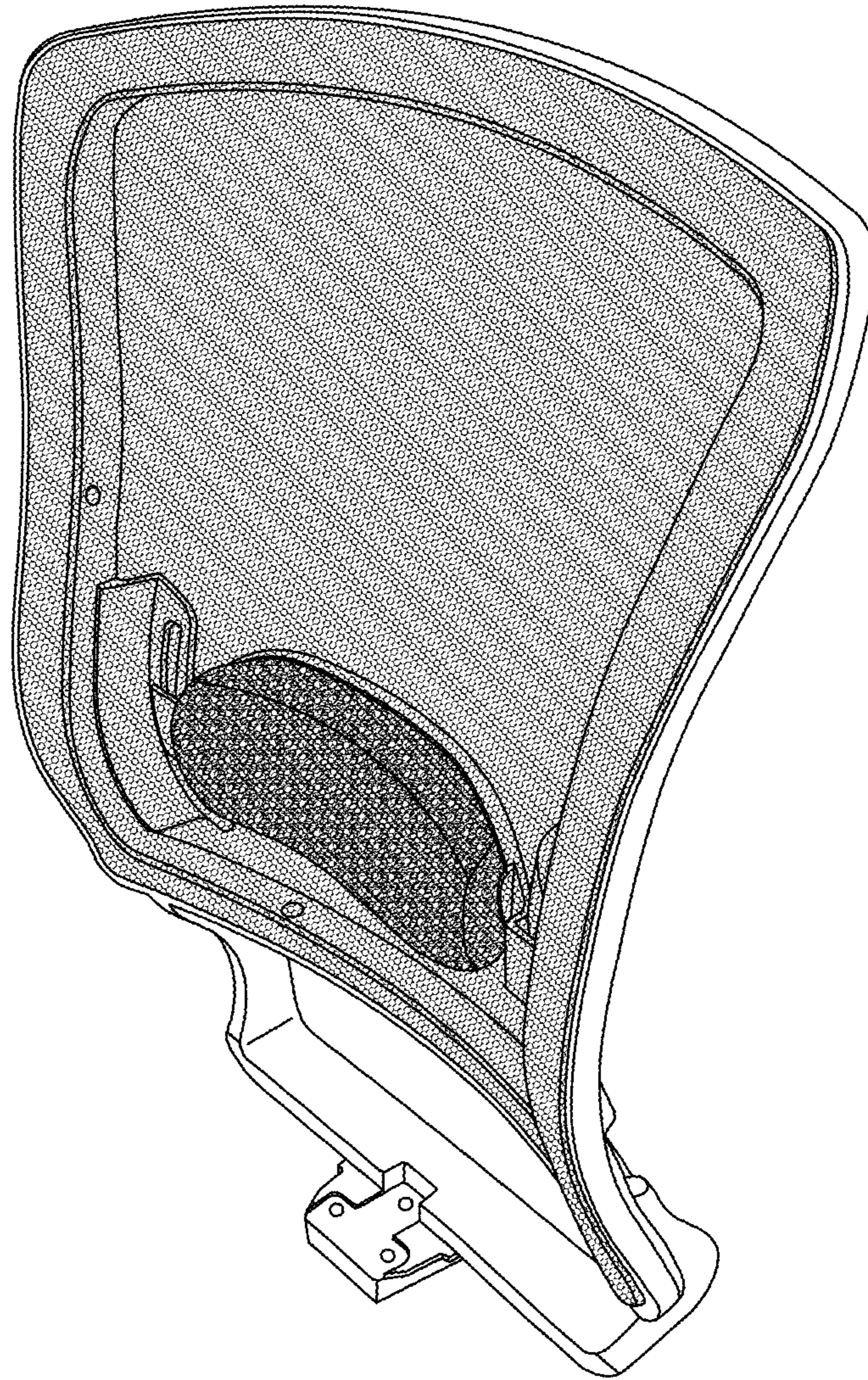


FIG. 1

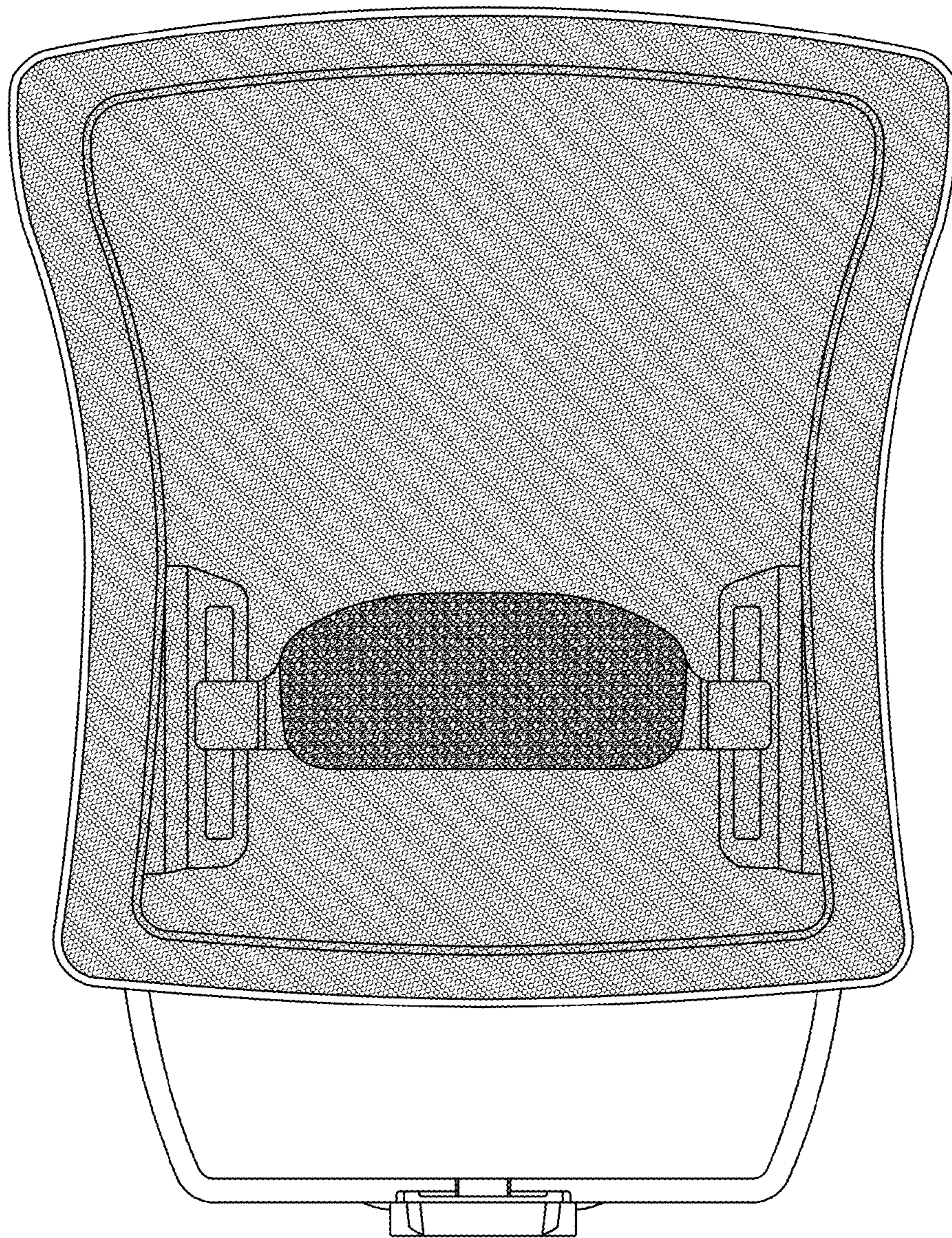
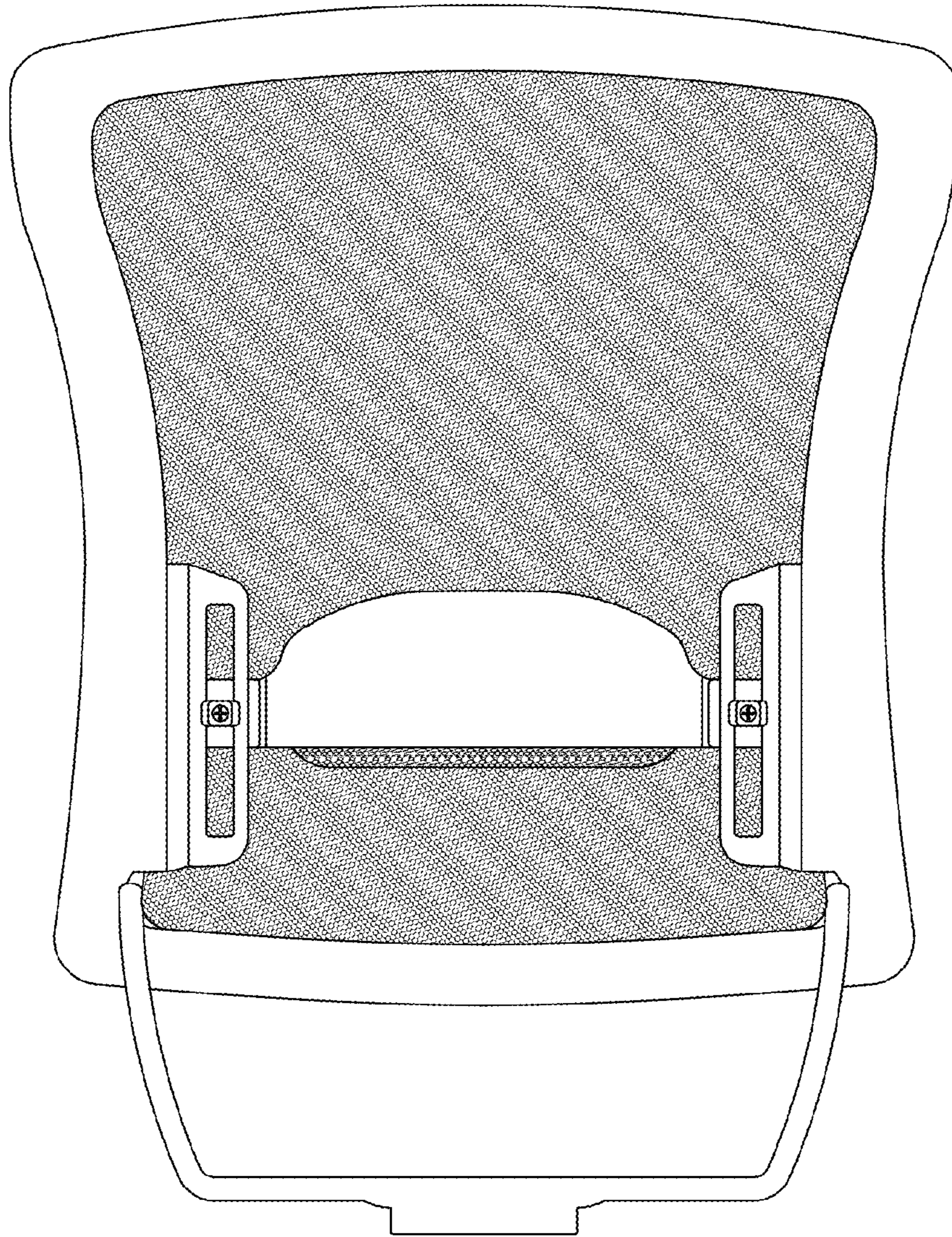
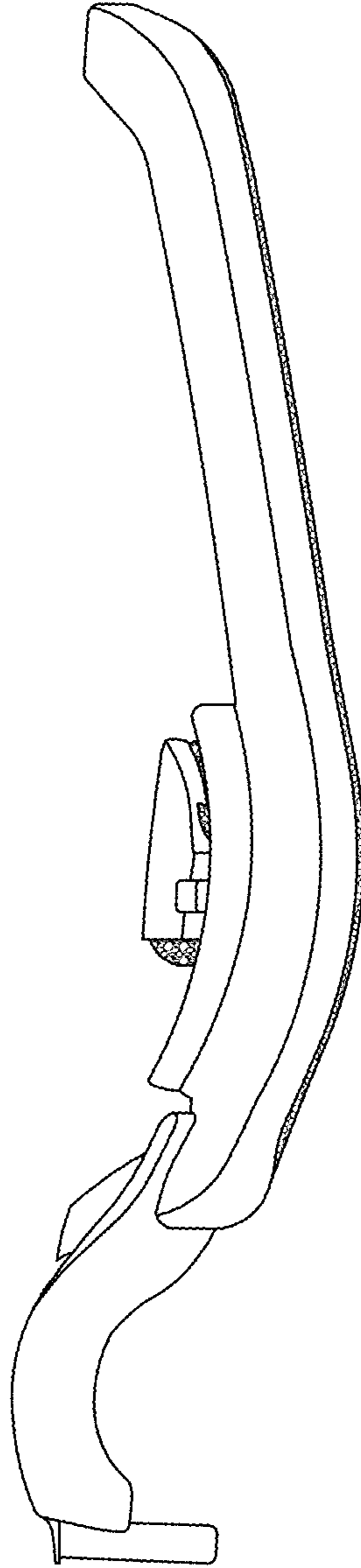


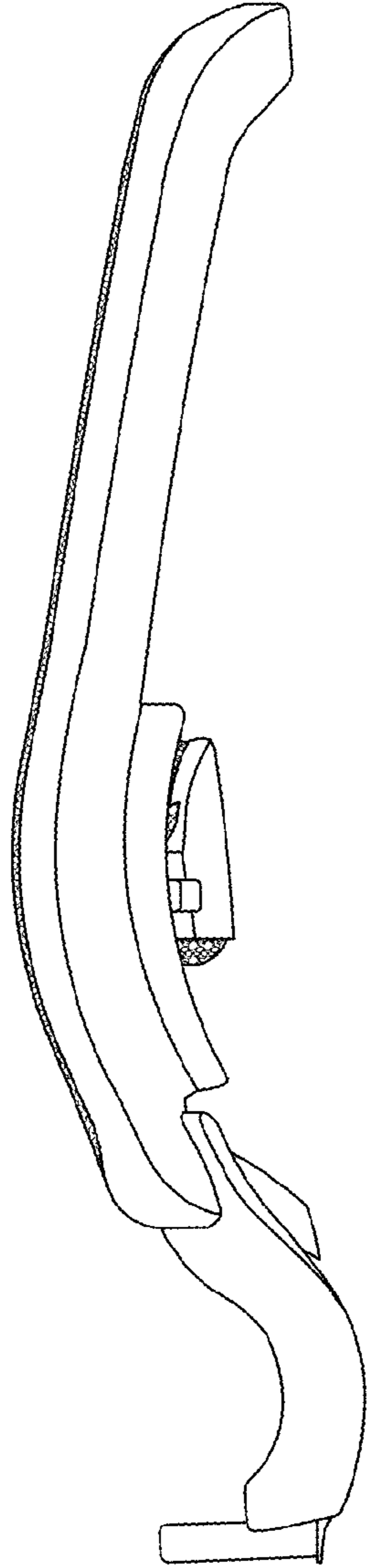
FIG. 2



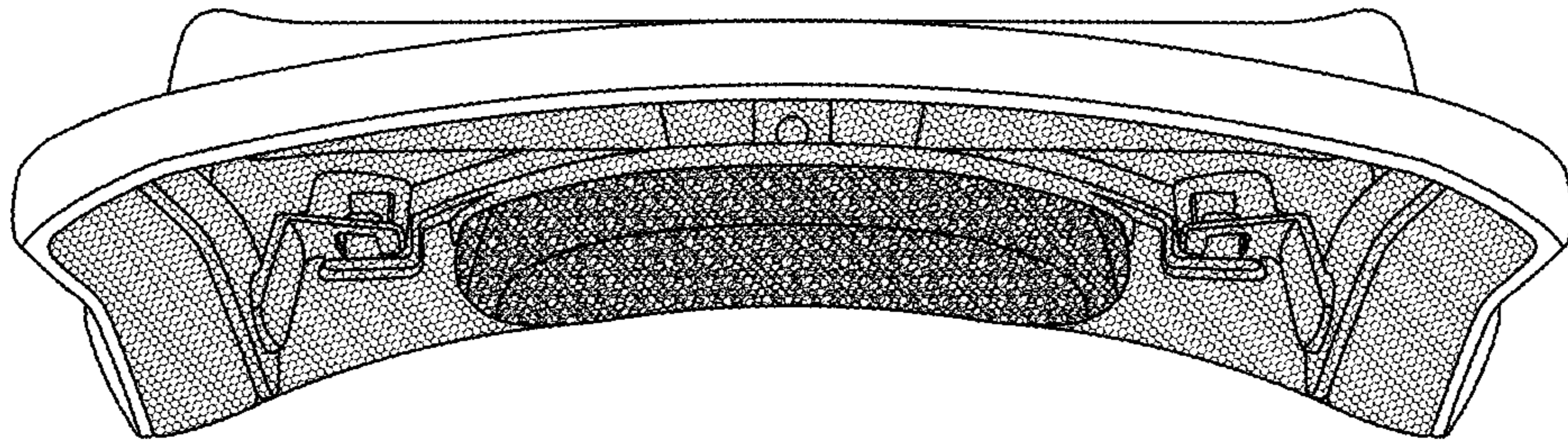
F I G . 3



F I G . 4



F I G . 5



F I G . 6

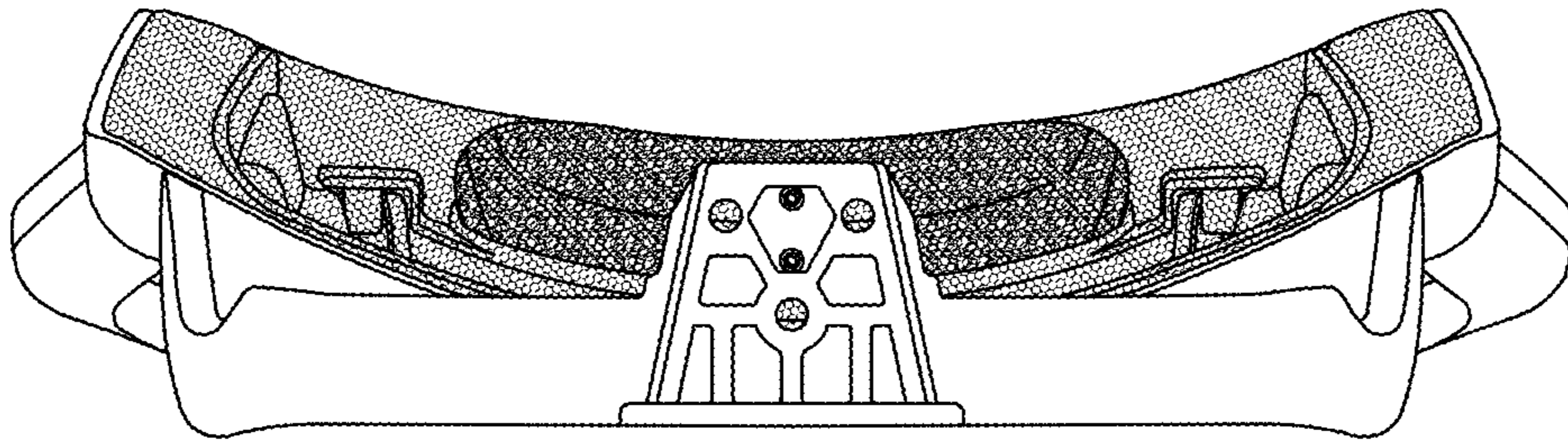


FIG. 7