



US00D683573S

(12) **United States Design Patent**  
**Egger**

(10) **Patent No.:** **US D683,573 S**  
(45) **Date of Patent:** **\*\* Jun. 4, 2013**

(54) **CHAIR ARM**

(71) Applicant: **Blumenthal Distributing, Inc.**, Ontario,  
CA (US)

(72) Inventor: **Julien Egger**, Los Angeles, CA (US)

(73) Assignee: **Blumenthal Distributing, Inc.**, Ontario,  
CA (US)

(\*\*) Term: **14 Years**

(21) Appl. No.: **29/437,396**

(22) Filed: **Nov. 15, 2012**

(51) **LOC (9) Cl.** ..... **06-06**

(52) **U.S. Cl.**  
USPC ..... **D6/716.3**

(58) **Field of Classification Search**  
USPC ..... D6/334-336, 364, 365, 366, 367,  
D6/374, 379, 380, 716, 716.1, 716.2, 716.3,  
D6/716.4; 297/411.2, 411.27, 411.31, 411.35,  
297/411.36, 463.1

See application file for complete search history.

(56) **References Cited**

**U.S. PATENT DOCUMENTS**

D436,260 S \* 1/2001 Nagamitsu ..... D6/366  
D487,359 S \* 3/2004 Giugiaro ..... D6/366  
D489,542 S \* 5/2004 Giugiaro ..... D6/366

D492,130 S \* 6/2004 Tai ..... D6/366  
D538,083 S \* 3/2007 Mazzera ..... D6/716.3  
D557,950 S \* 12/2007 Lu ..... D6/716.2  
D608,570 S \* 1/2010 Mezzera ..... D6/716.3  
D641,998 S \* 7/2011 Hazzard ..... D6/716  
D650,619 S \* 12/2011 Hazzard ..... D6/716.3

\* cited by examiner

*Primary Examiner* — Mimoso De

(74) *Attorney, Agent, or Firm* — Christie, Parker & Hale,  
LLP

(57) **CLAIM**

The ornamental design for chair arm, as shown and described.

**DESCRIPTION**

FIG. 1 is a top outside rear perspective view of a chair arm front face according to my new design;  
FIG. 2 is a top inside rear perspective view thereof;  
FIG. 3 is an outside elevational view thereof;  
FIG. 4 is a front elevational view thereof;  
FIG. 5 is an inside elevational view thereof;  
FIG. 6 is a rear elevational view thereof;  
FIG. 7 is a top elevational view thereof; and,  
FIG. 8 is a bottom elevational view thereof.

The broken lines shown in the drawing are for illustrative purposes only and form no part of the claimed design.

**1 Claim, 7 Drawing Sheets**

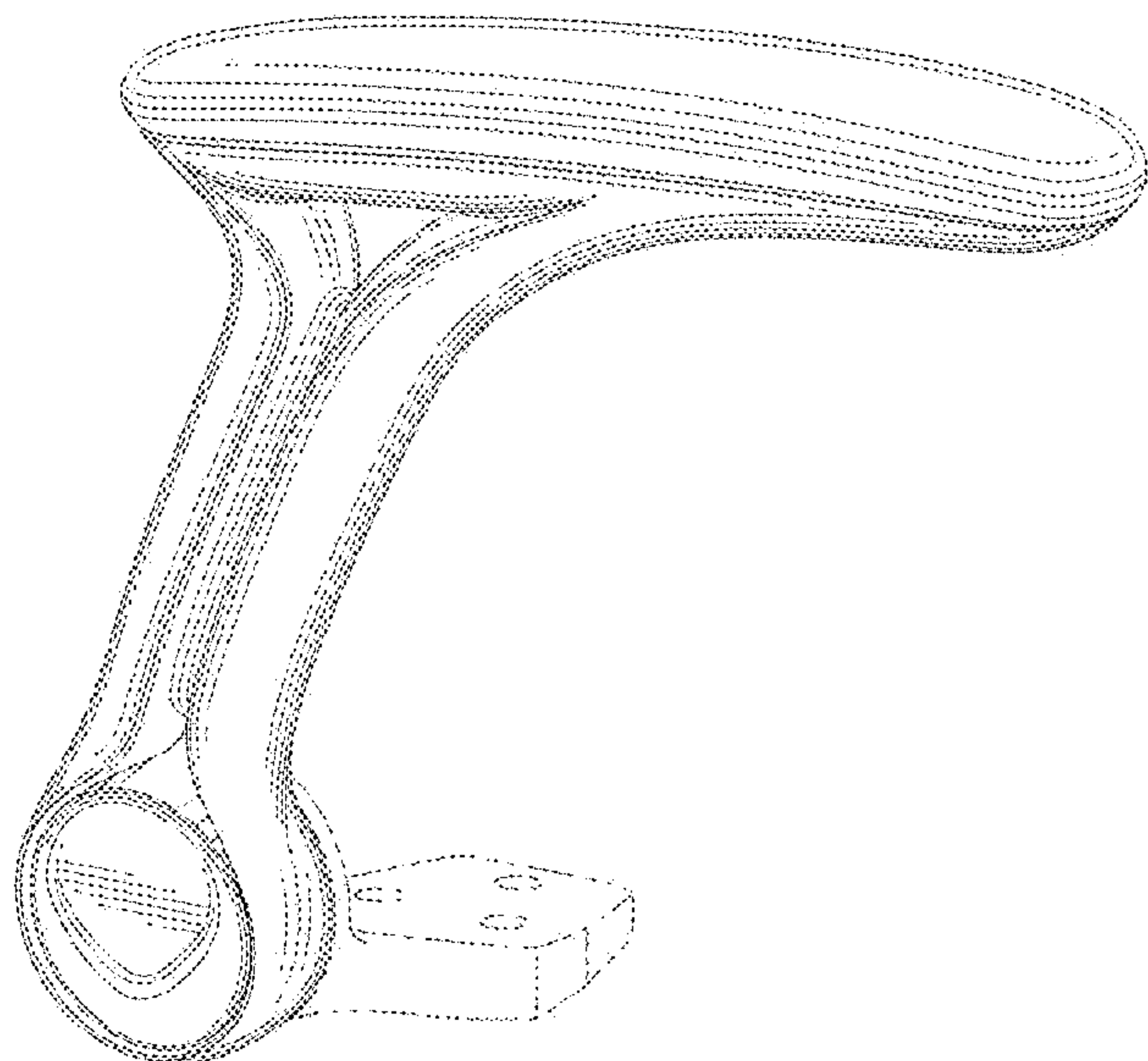
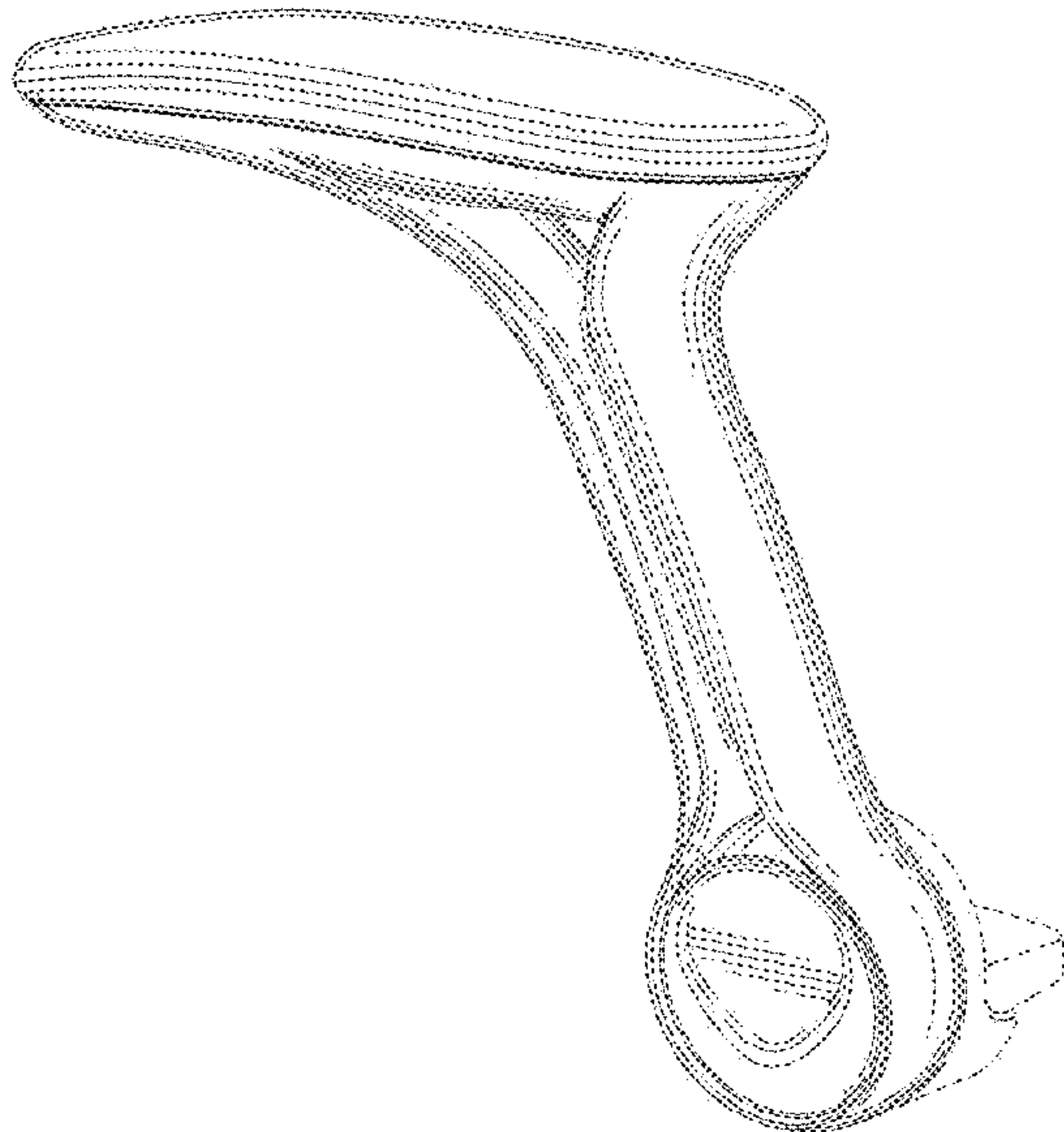


FIG. 1

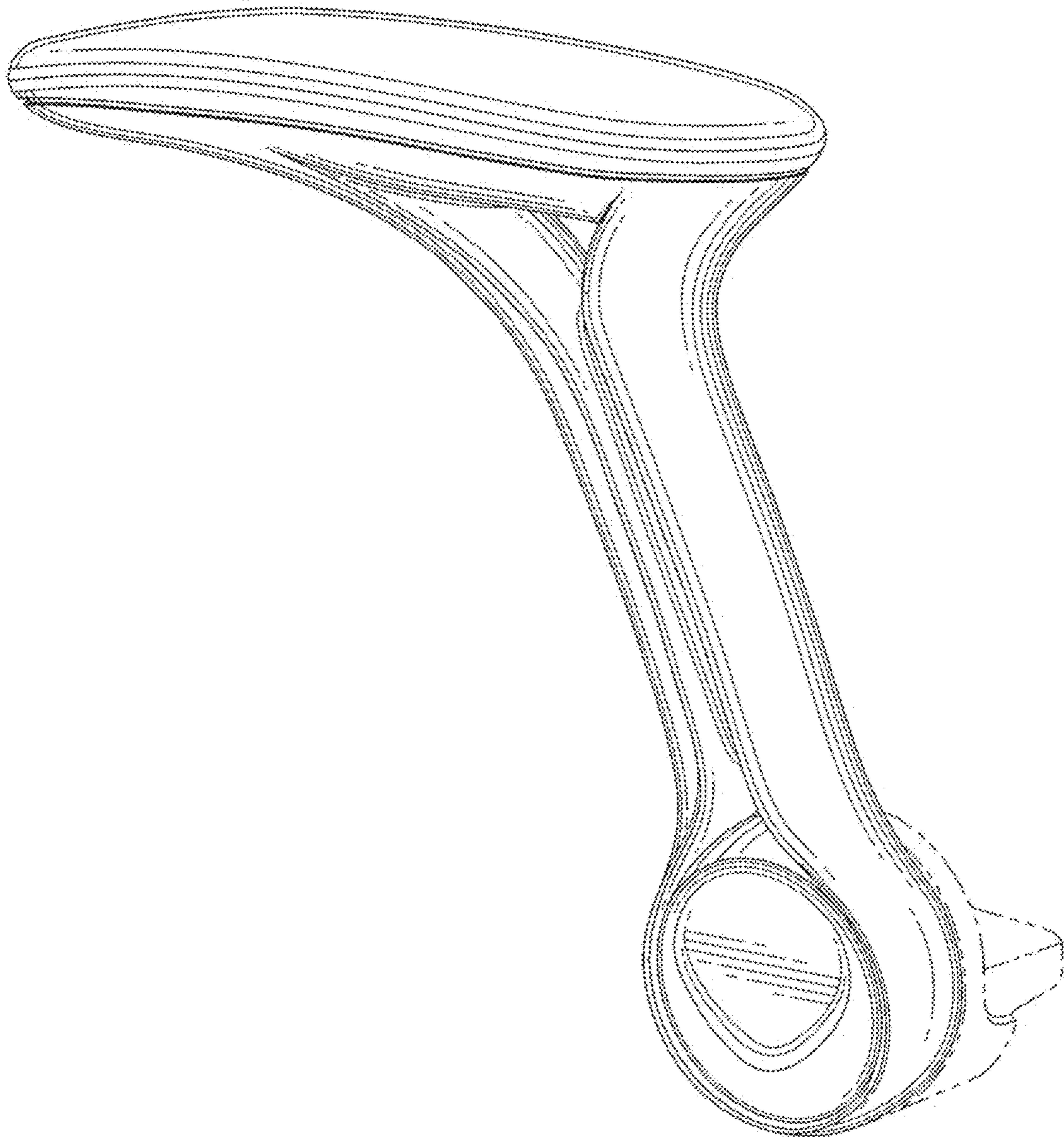


FIG. 2

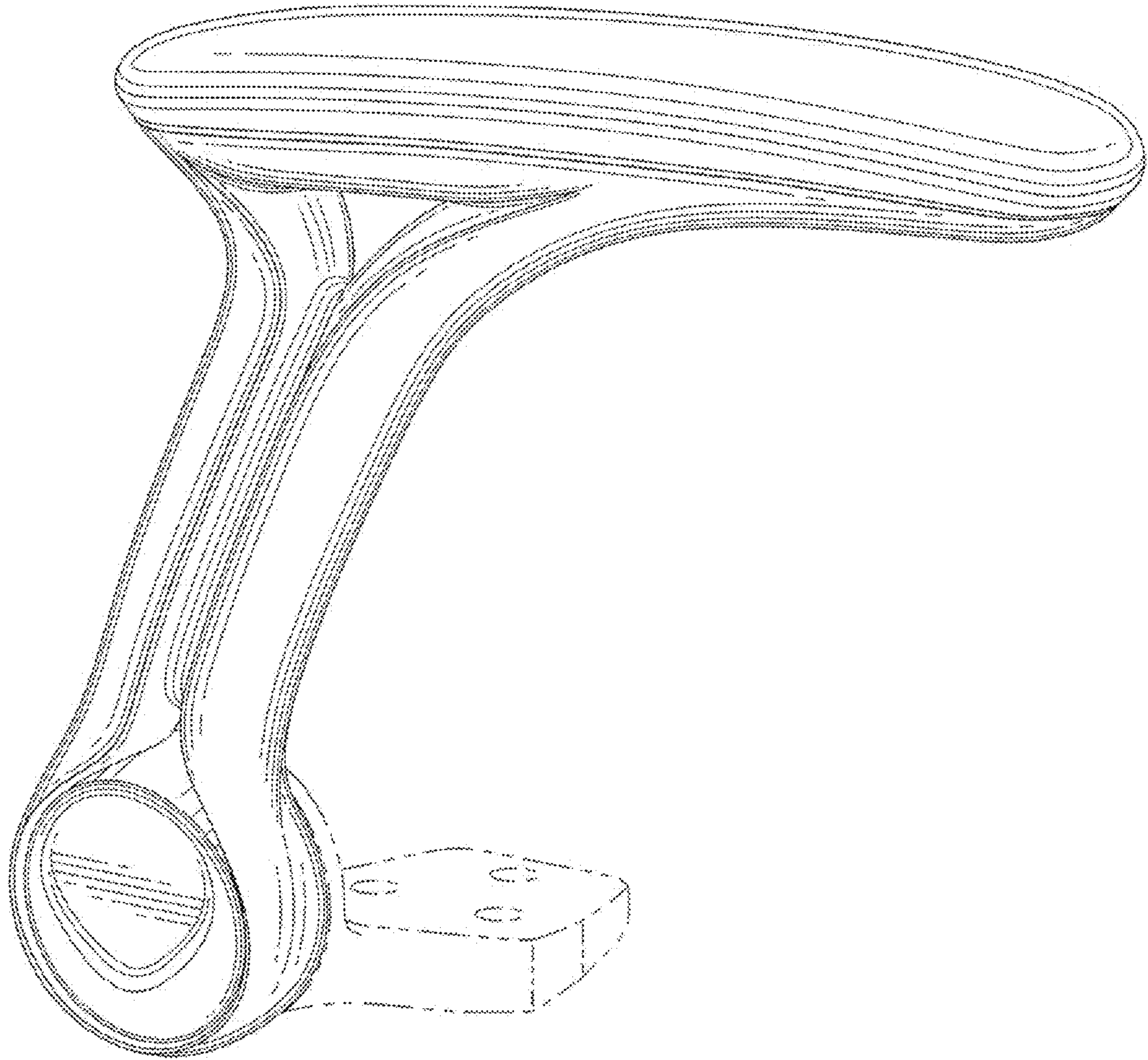
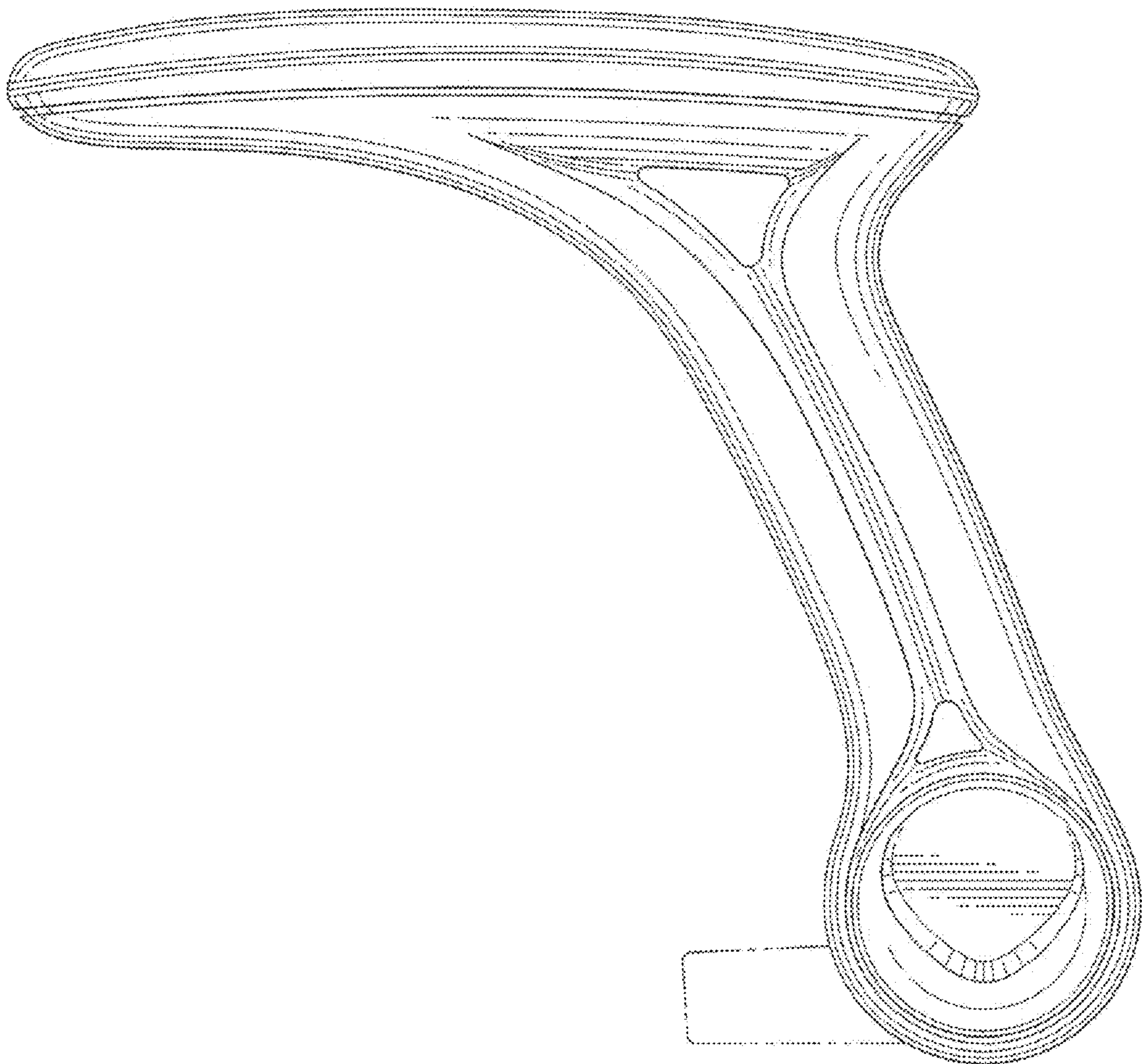




FIG. 3



*FIG. 4*

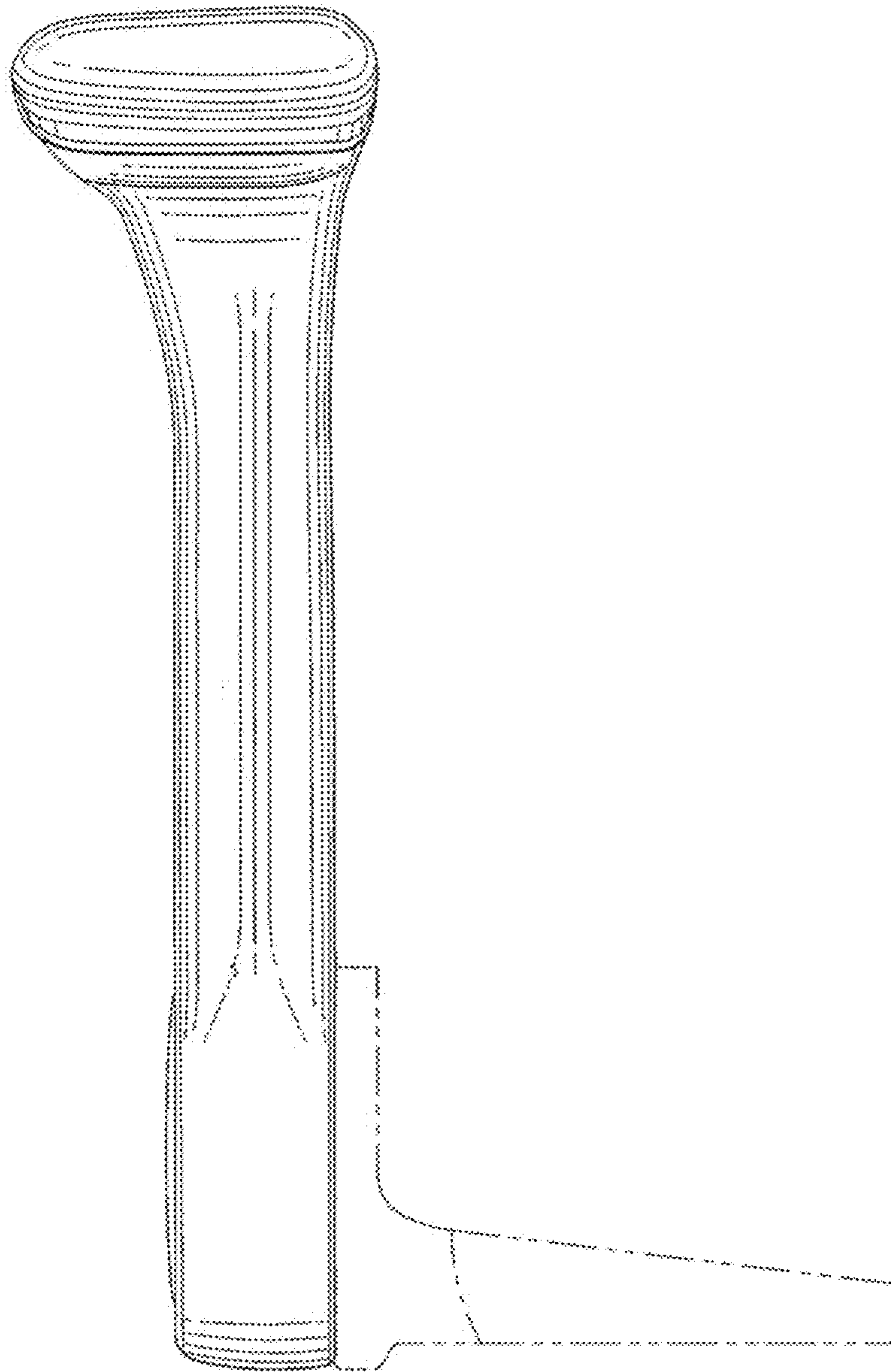


FIG. 5

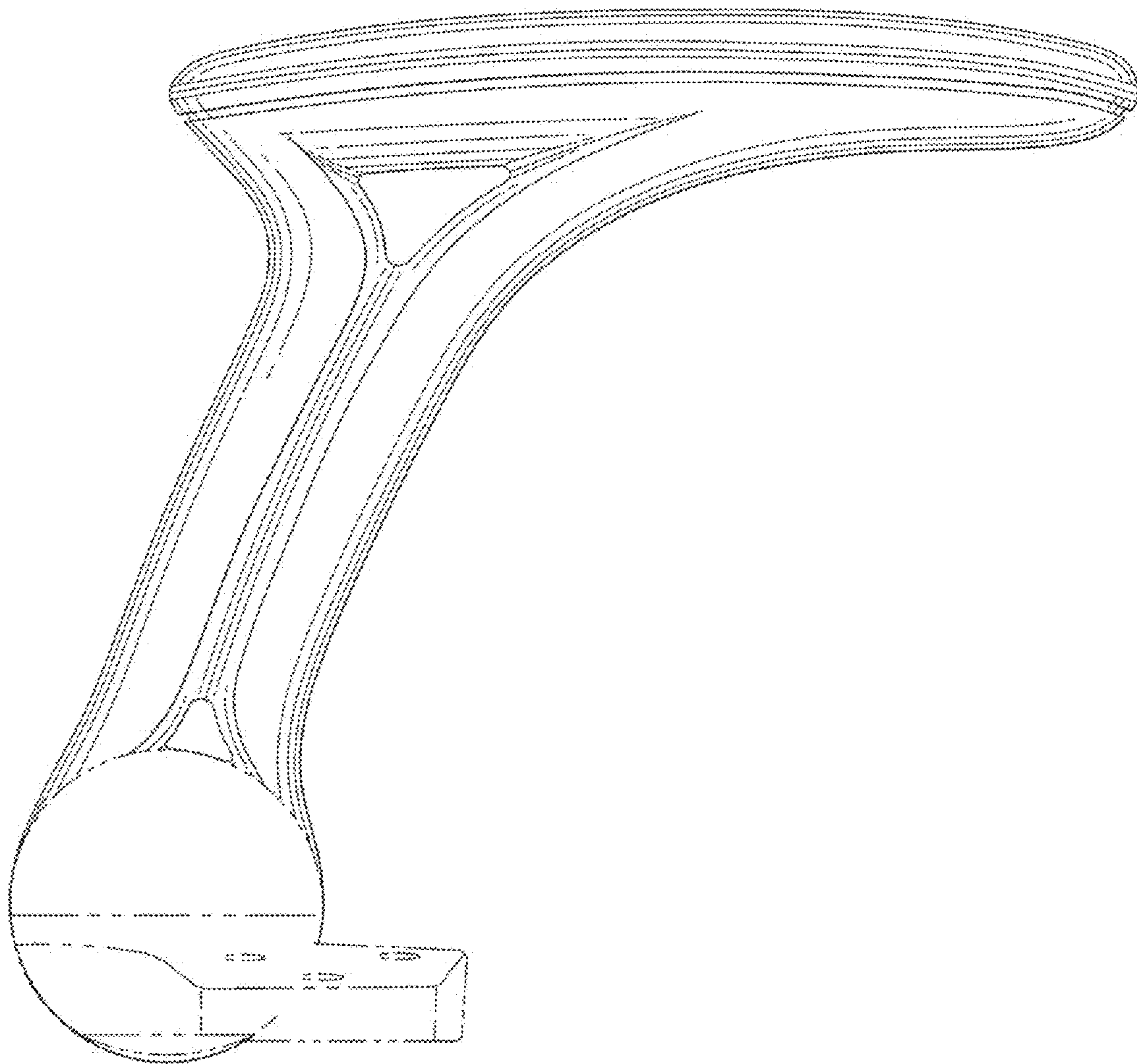


FIG. 6

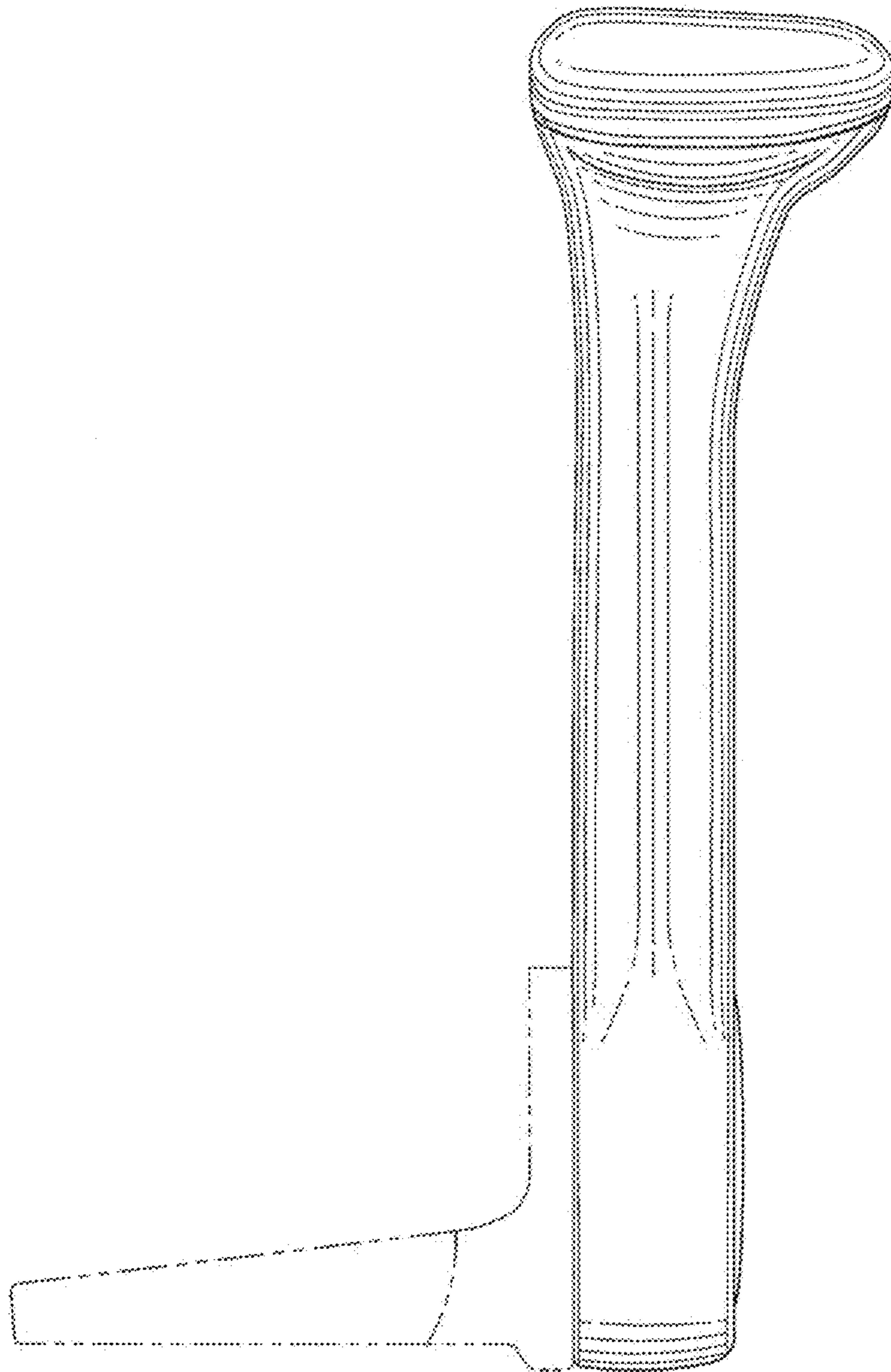


FIG. 7

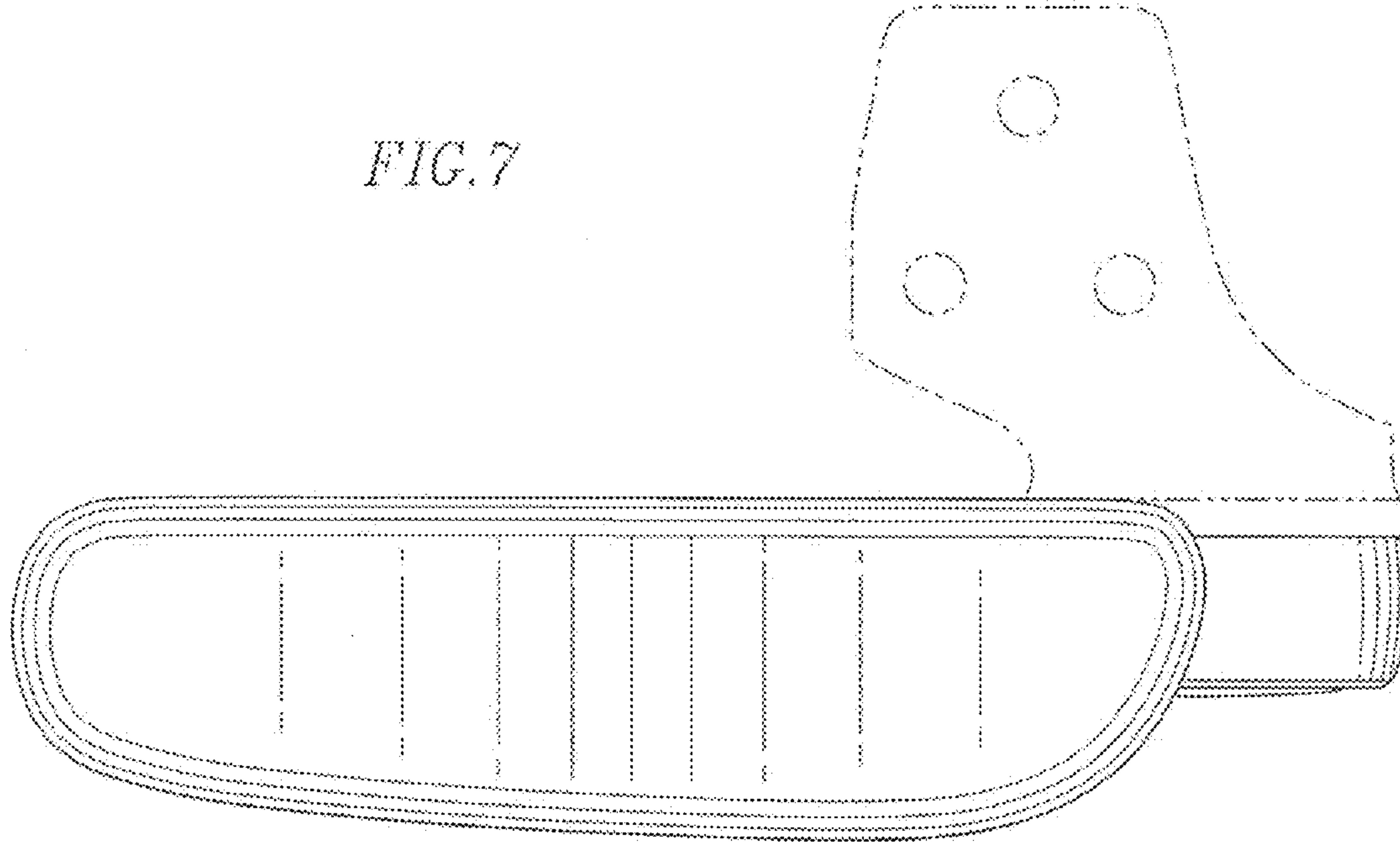


FIG. 8

