



US00D683570S

(12) **United States Design Patent**  
**Kubryk**

(10) **Patent No.:** **US D683,570 S**

(45) **Date of Patent:** **\*\* Jun. 4, 2013**

(54) **TASK CHAIR**

(71) Applicant: **Isaac Kubryk**, Lockeford, CA (US)

(72) Inventor: **Isaac Kubryk**, Lockeford, CA (US)

(73) Assignee: **Global Allies, LLC**, Lockeford, CA (US)

(\*\*) Term: **14 Years**

(21) Appl. No.: **29/443,367**

(22) Filed: **Jan. 16, 2013**

(51) **LOC (9) Cl.** ..... **06-01**

(52) **U.S. Cl.**  
USPC ..... **D6/716; D6/366**

(58) **Field of Classification Search**  
USPC ..... D6/334–336, 364, 365, 366, 371–373,  
D6/374, 375, 379, 380, 716, 716.1, 716.2,  
D6/716.3, 716.4; 297/230.1, 230.12, 445.1,  
297/446.1, 411.41, 411.45, 450.1  
See application file for complete search history.

(56) **References Cited**

**U.S. PATENT DOCUMENTS**

D236,302 S \* 8/1975 Prizlow ..... D6/366  
D304,654 S \* 11/1989 Stafford ..... D6/716  
D414,950 S \* 10/1999 James ..... D6/366

D603,177 S \* 11/2009 Kubryk ..... D6/366  
D645,672 S \* 9/2011 Lievore et al. .... D6/366  
D646,084 S \* 10/2011 Lievore et al.  
D647,715 S \* 11/2011 Kubryk ..... D6/366  
D648,158 S \* 11/2011 Kubryk ..... D6/716  
D654,713 S \* 2/2012 Lloyd et al. .... D6/366  
D654,732 S \* 2/2012 Kubryk ..... D6/716  
D660,054 S \* 5/2012 Kane ..... D6/716  
D660,055 S \* 5/2012 Kane ..... D6/716  
D664,381 S \* 7/2012 Kubryk ..... D6/716

\* cited by examiner

*Primary Examiner* — Mimosa De

(74) *Attorney, Agent, or Firm* — Audrey A. Millemann;  
Weintraub Tobin, et al.

(57) **CLAIM**

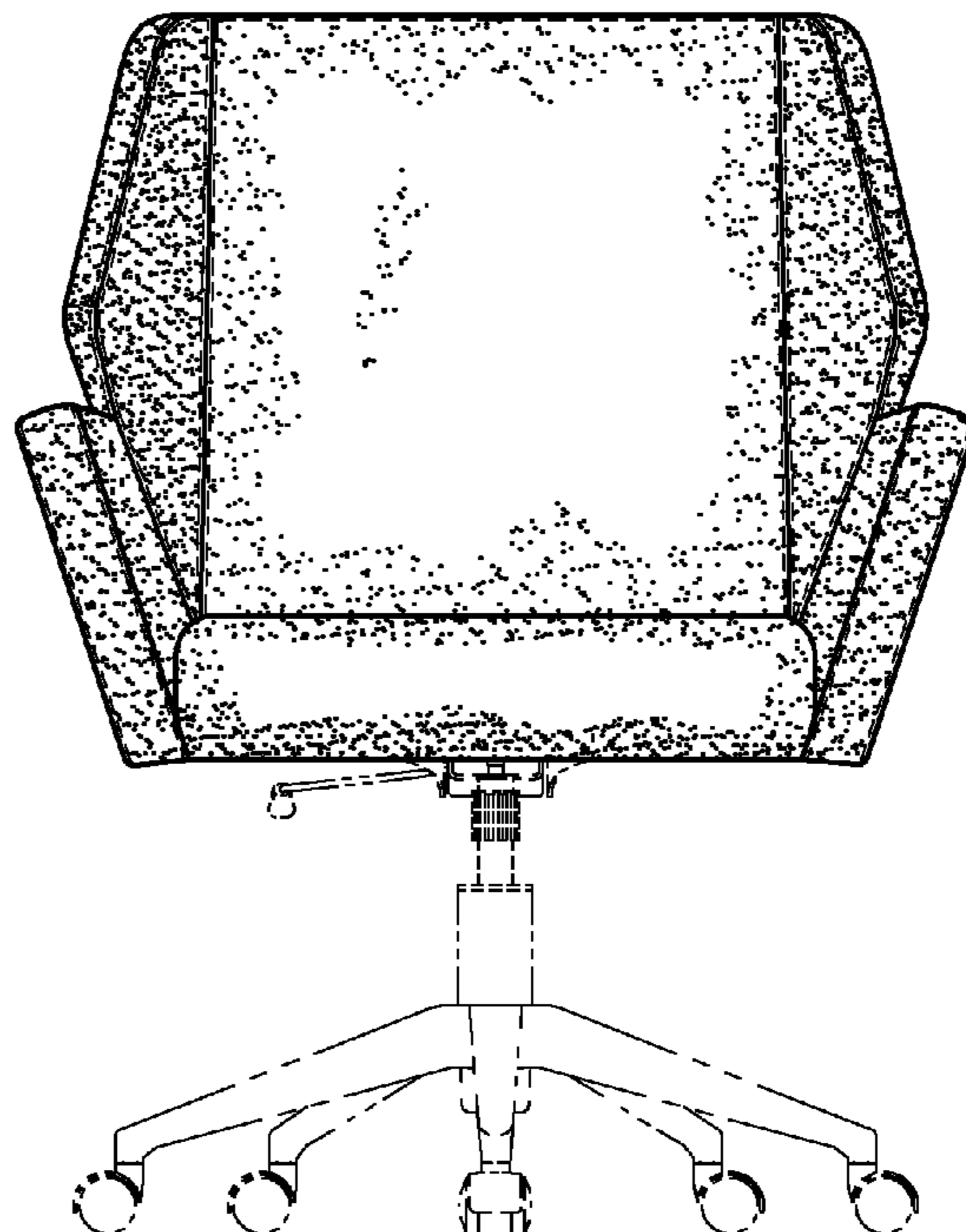
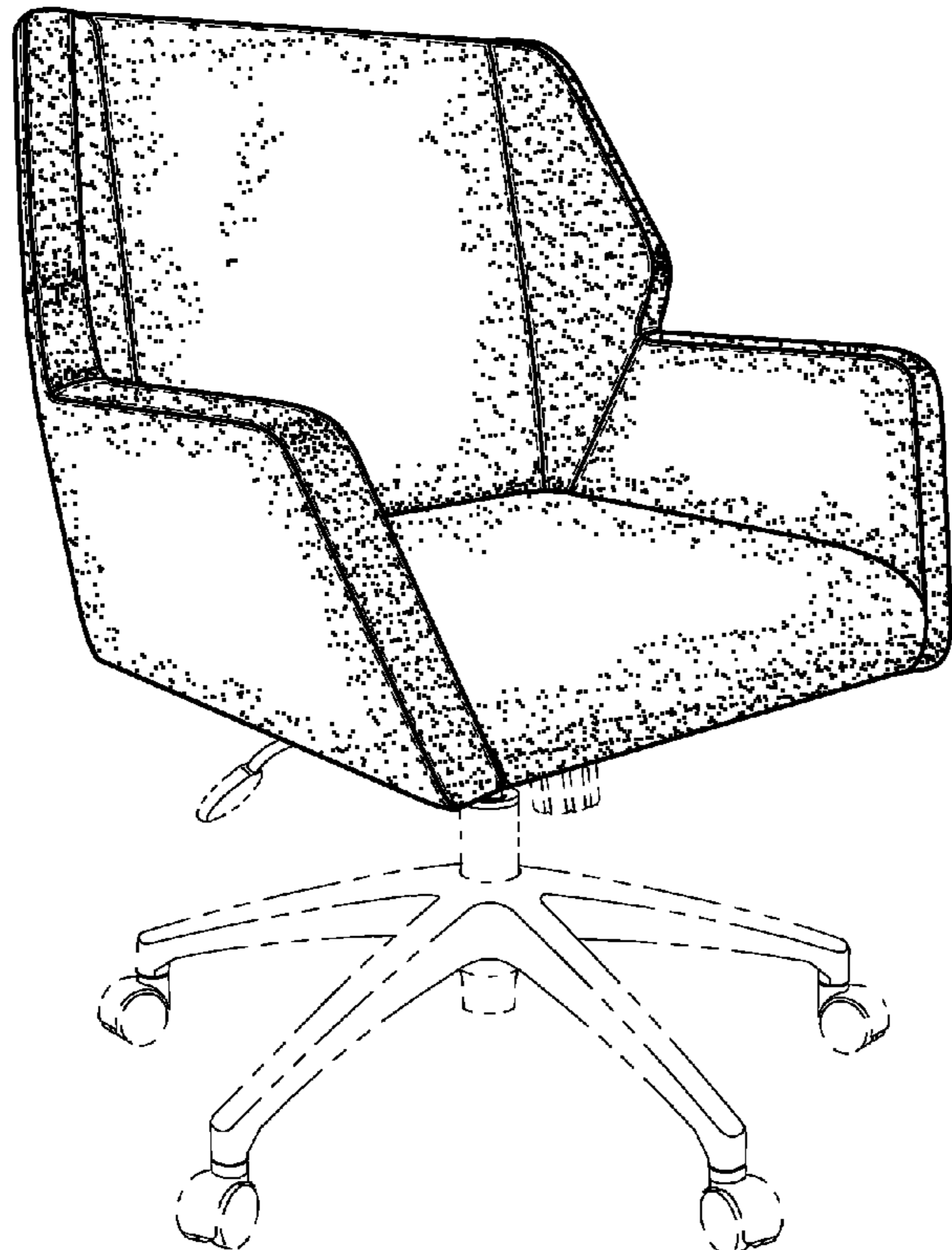
The ornamental design for a task chair, as shown and described.

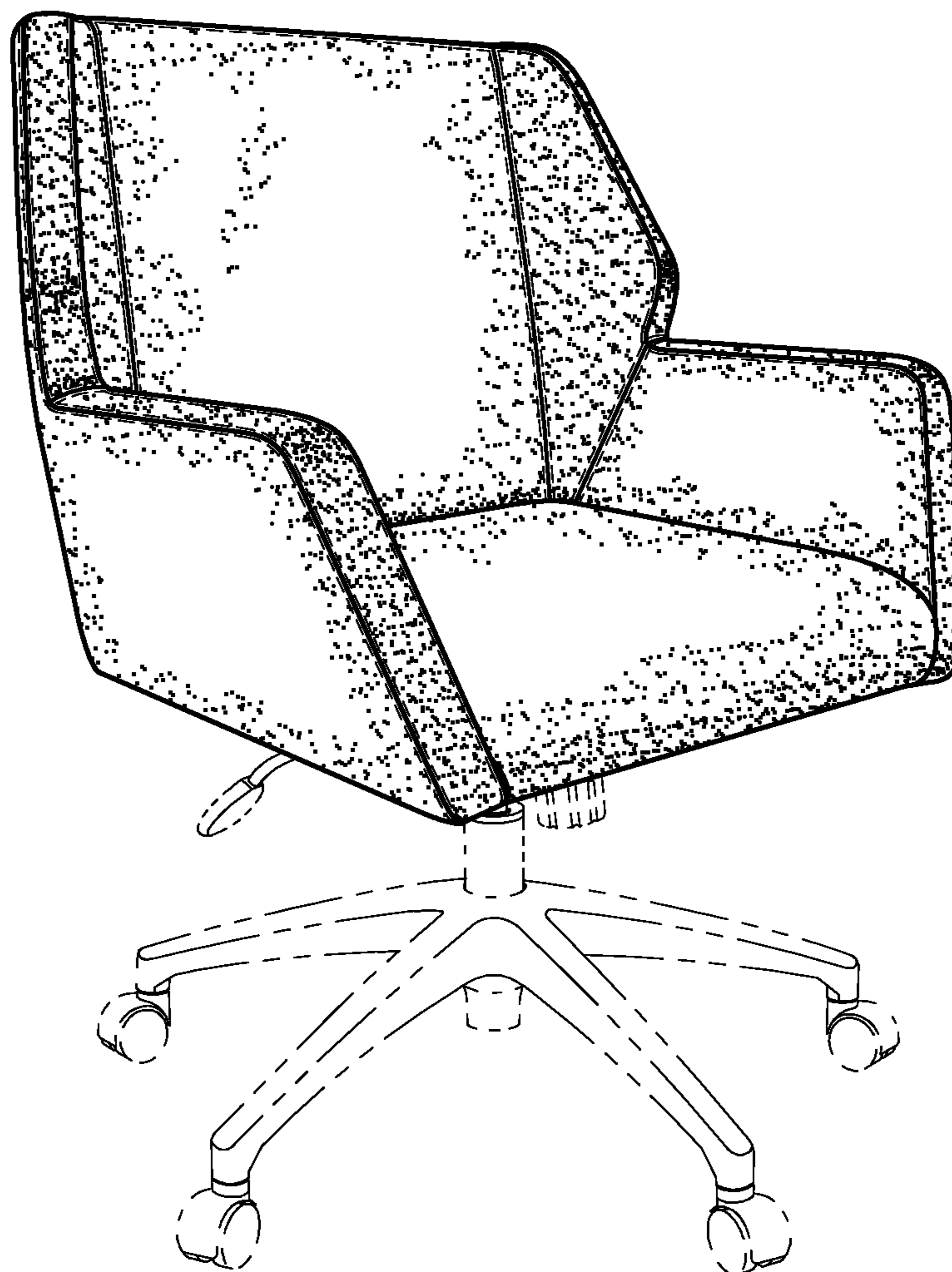
**DESCRIPTION**

FIG. 1 is a perspective view of a task chair, looking toward the right front corner, showing my new design;  
FIG. 2 is a front view thereof;  
FIG. 3 is a right side view thereof;  
FIG. 4 is a back view thereof;  
FIG. 5 is a top view thereof; and,  
FIG. 6 is a bottom view thereof.

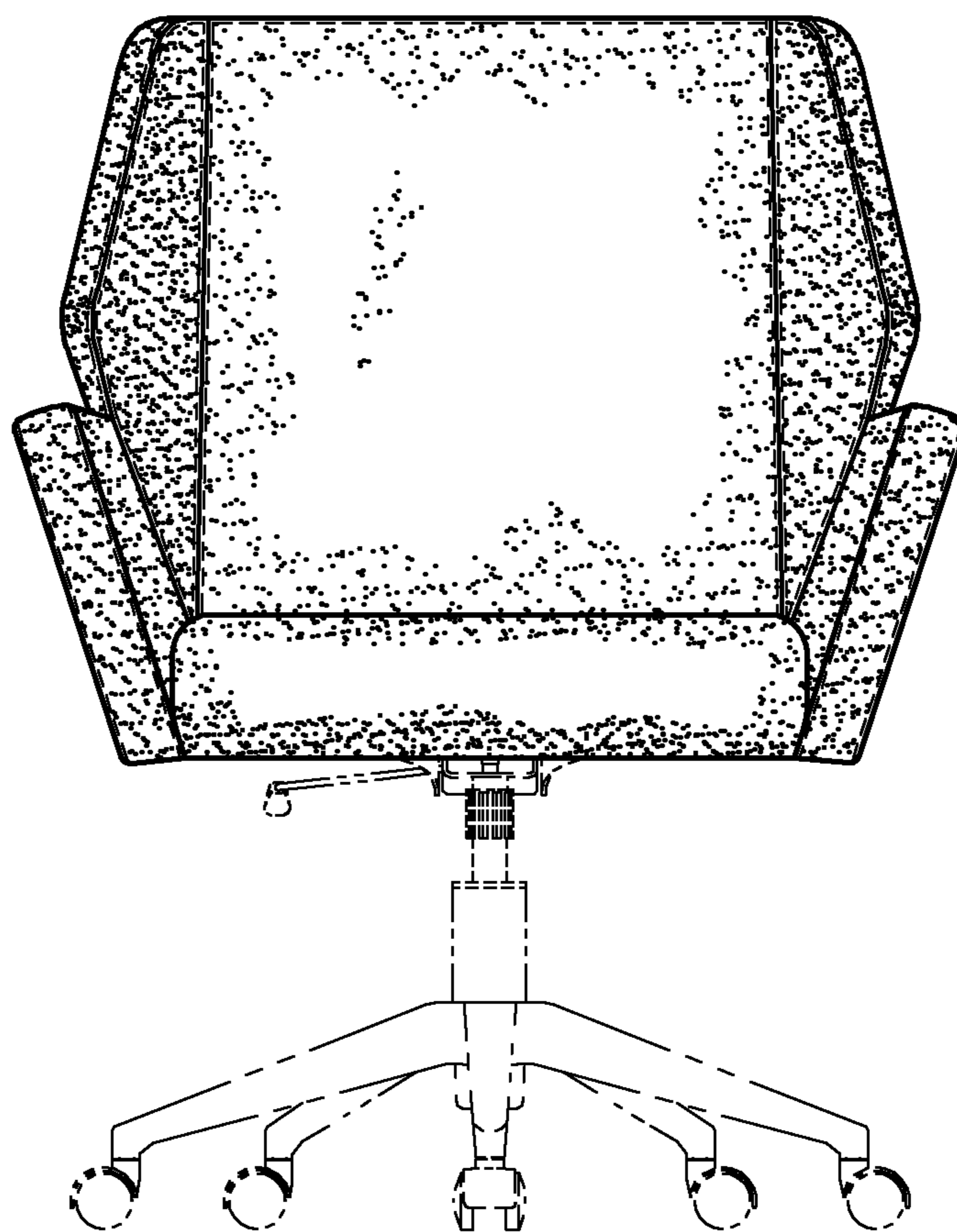
The broken lines shown in the drawings are for illustrative purposes only and form no part of the claimed design.

**1 Claim, 5 Drawing Sheets**

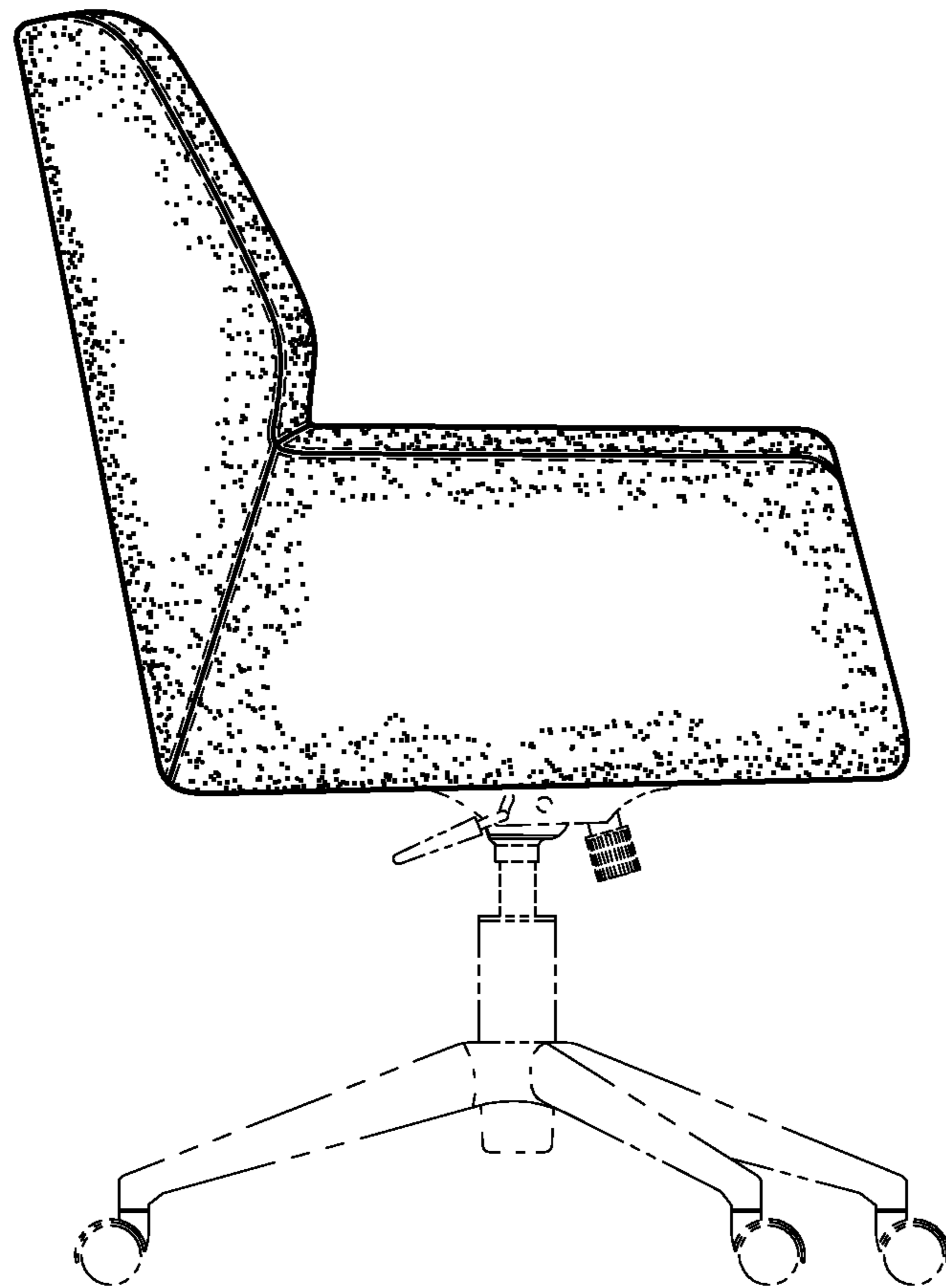




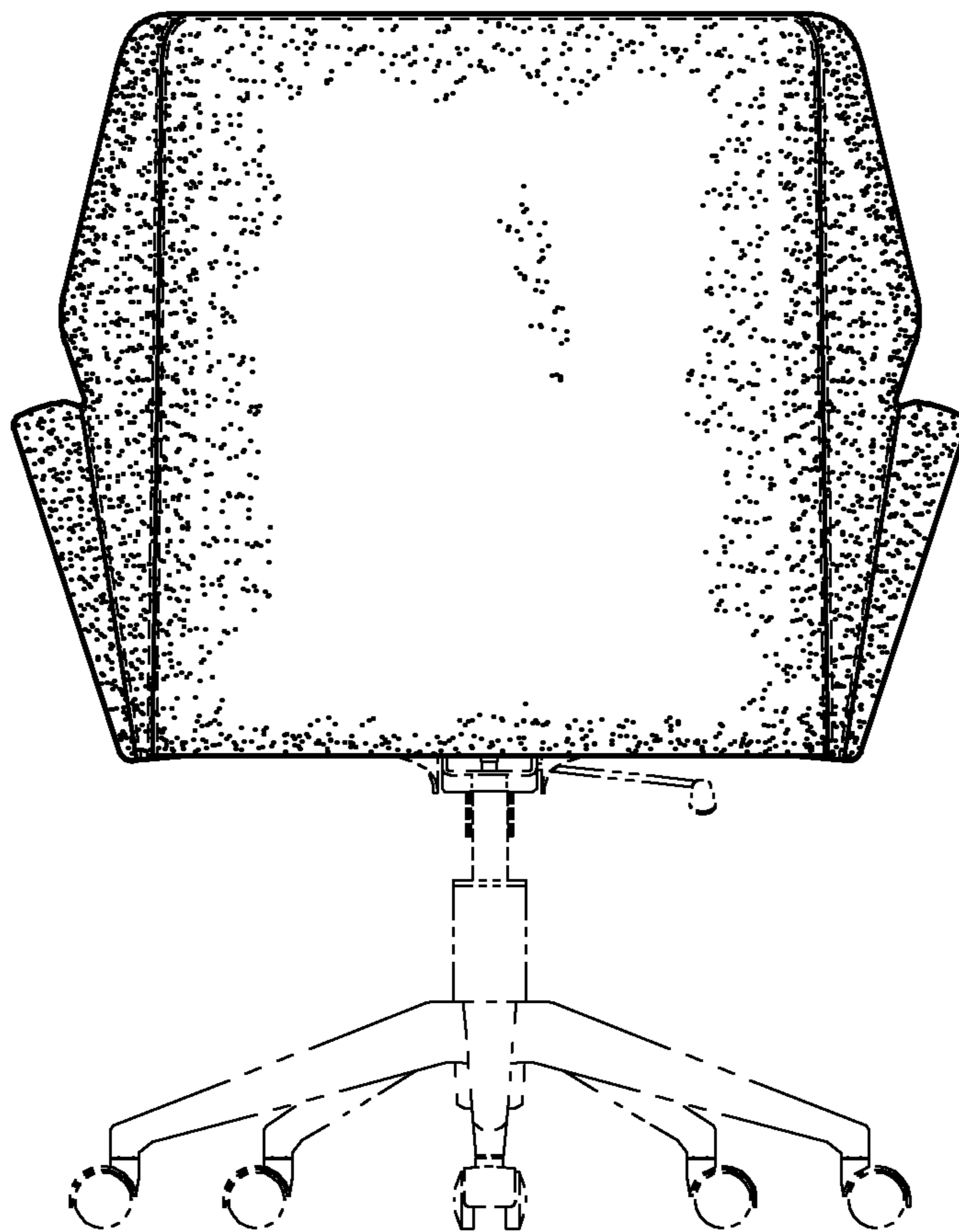
**FIG. 1**



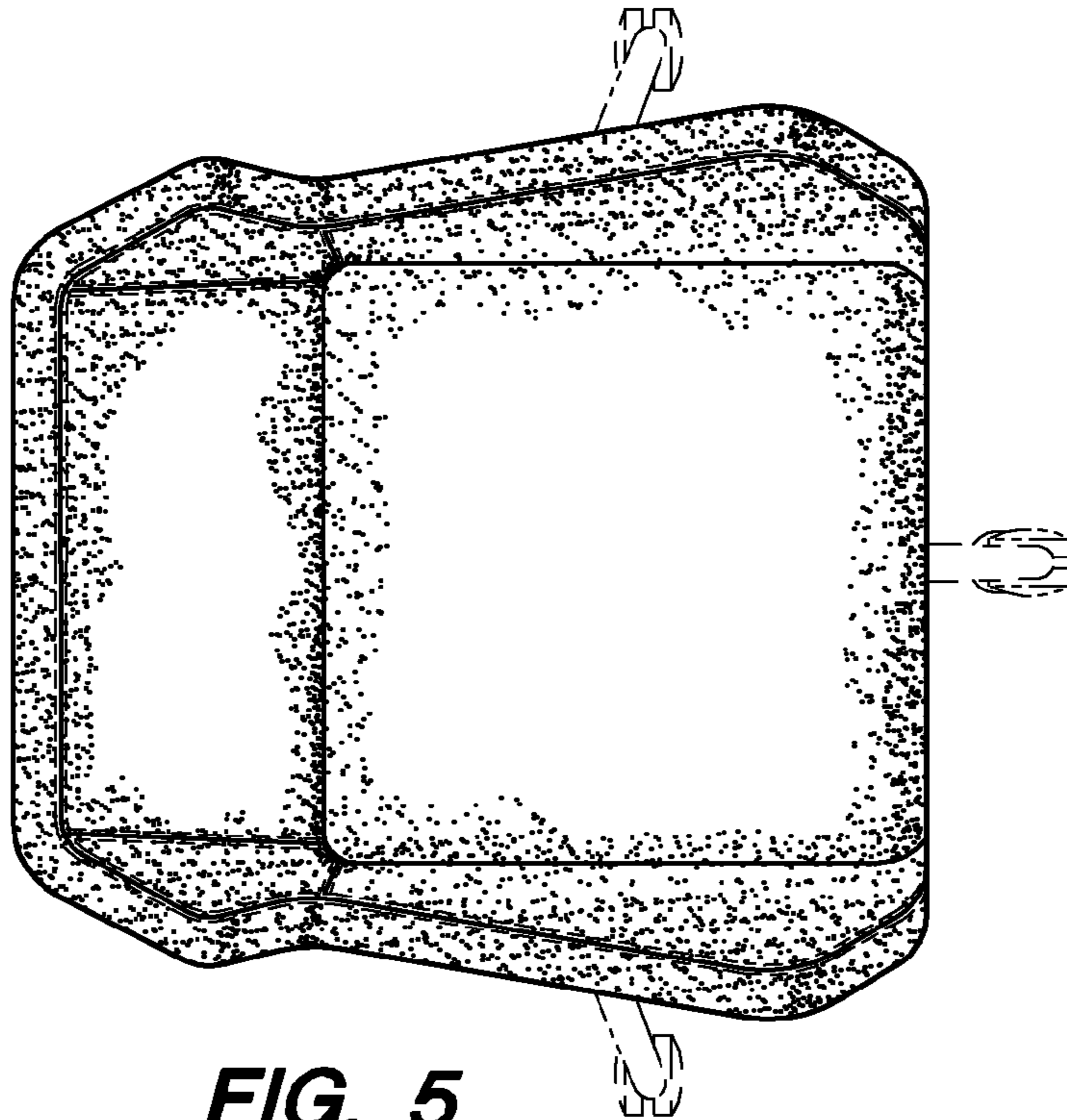
**FIG. 2**



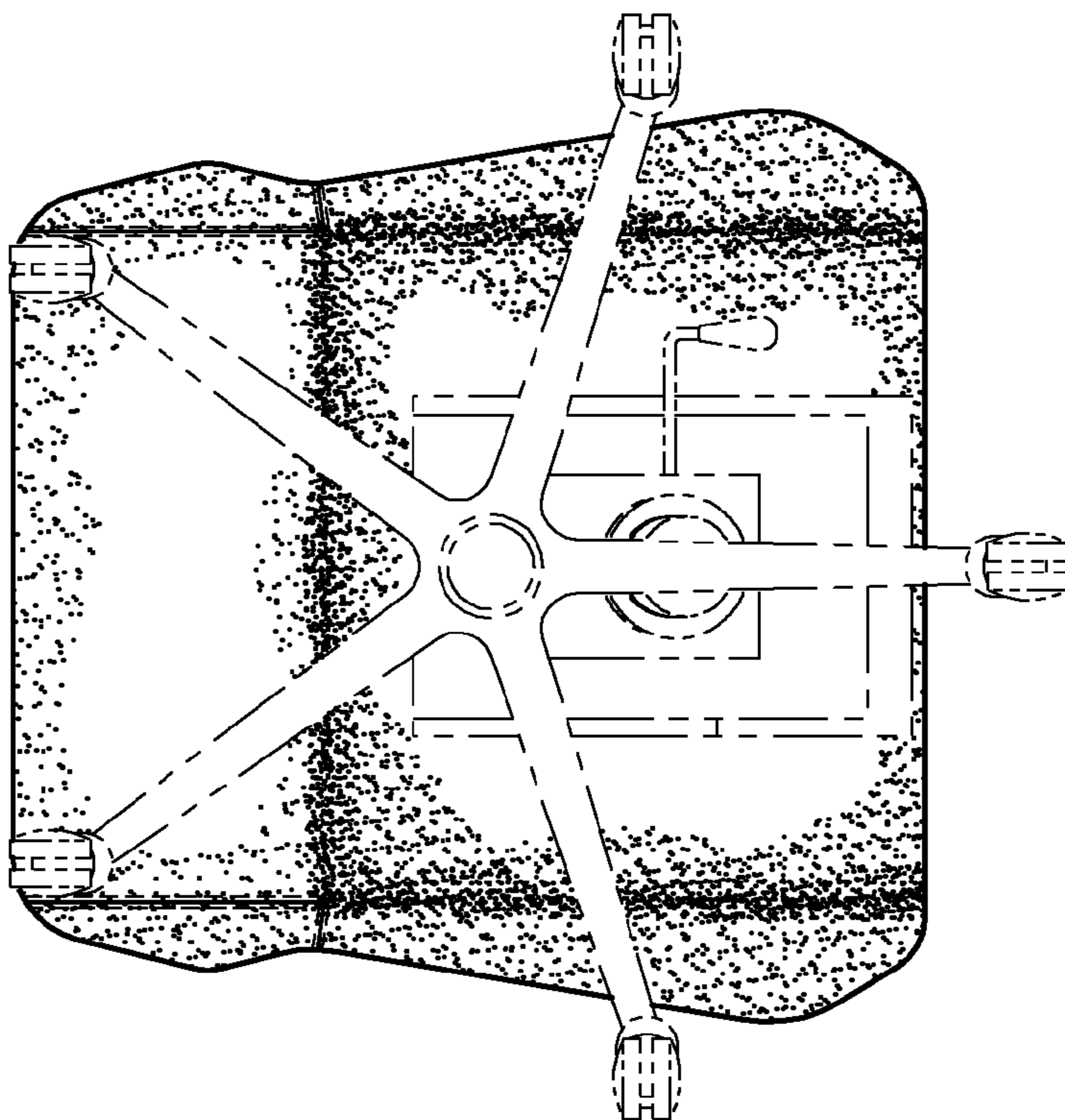
**FIG. 3**



**FIG. 4**



**FIG. 5**



**FIG. 6**