



US00D683569S

(12) **United States Design Patent**
Weber et al.

(10) **Patent No.:** **US D683,569 S**
(45) **Date of Patent:** **** Jun. 4, 2013**

(54) **CHAIR ARM**

(75) Inventors: **Jeffrey A. Weber**, Golden Valley, MN
(US); **David I. Wolf**, Cedar Springs, MI
(US); **John K. Blomstrom**, St. Paul, MN
(US); **Douglas L. Fassett**, Kentwood, MI
(US); **Paul J. Martus**, Grand Rapids, MI
(US); **David J. Ippel**, Byron Center, MI
(US)

(73) Assignee: **American Seating Company**, Grand
Rapids, MI (US)

(**) Term: **14 Years**

(21) Appl. No.: **29/424,034**

(22) Filed: **Jun. 7, 2012**

(51) **LOC (9) Cl.** **06-06**

(52) **U.S. Cl.**
USPC **D6/716**

(58) **Field of Classification Search**
USPC D6/334-336, 364, 365, 366, 367,
D6/371-373, 374, 379, 380, 716, 716.1, 716.2,
D6/716.3, 716.4; 297/411.2, 411.27, 411.28,
297/411.36, 463.1

See application file for complete search history.

(56) **References Cited**

U.S. PATENT DOCUMENTS

D240,372	S	*	7/1976	Vrignaud	D6/373
D279,153	S	*	6/1985	Aronowitz et al.	D6/716.3
D423,261	S	*	4/2000	Ritch et al.	D6/716
D505,815	S	*	6/2005	Grove	D6/716.2
D520,769	S	*	5/2006	Bennett et al.	D6/379
D525,057	S	*	7/2006	Koch et al.	D6/716.2
D655,102	S	*	3/2012	Yetman et al.	D6/373

OTHER PUBLICATIONS

Acton Seating Solutions for a Variety of Environments, American Seating Company (Copyright 2011).

* cited by examiner

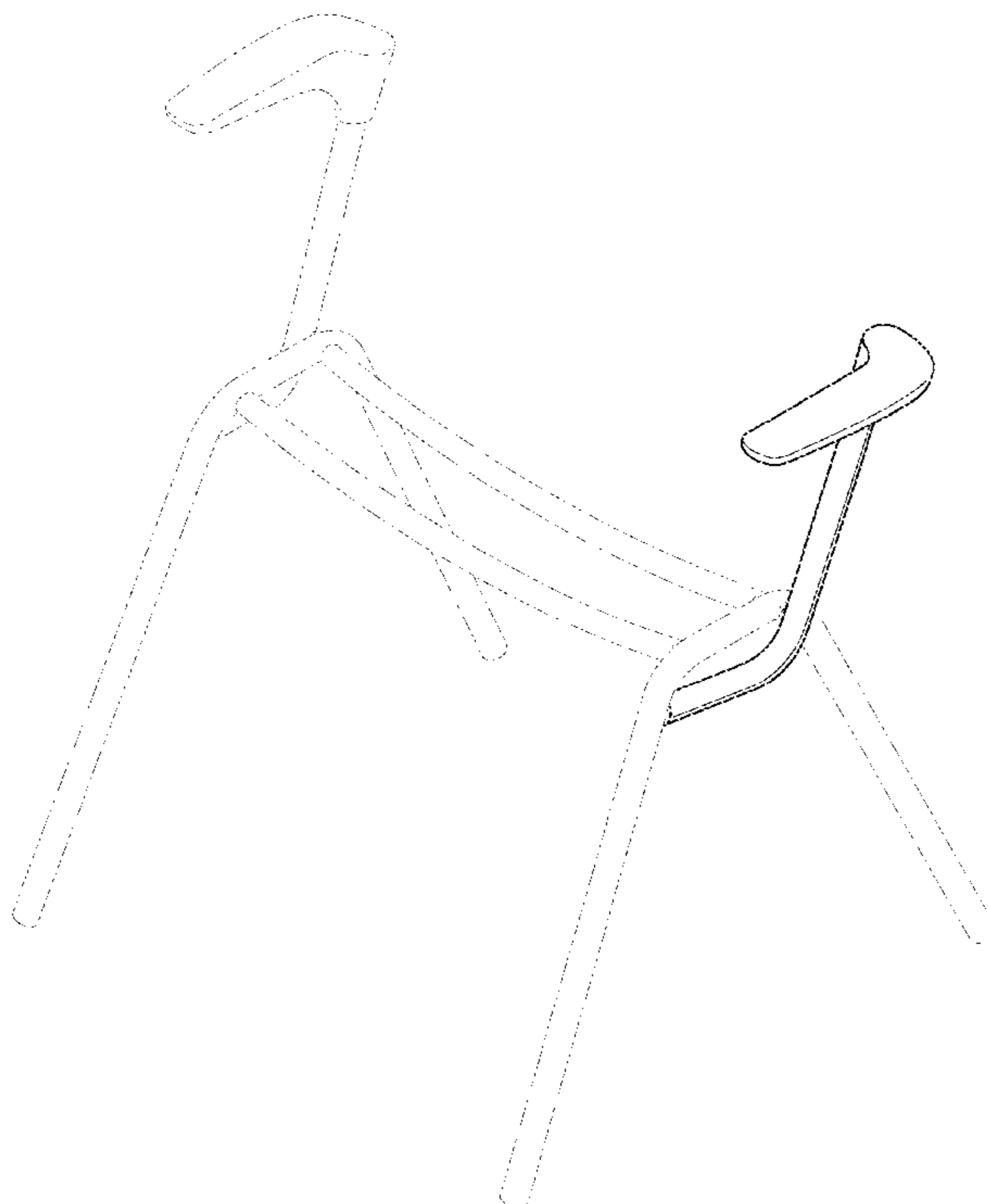
Primary Examiner — Mimosa De
(74) *Attorney, Agent, or Firm* — Warner Norcross & Judd
LLP

(57) **CLAIM**
The ornamental design for a chair arm, as shown and described.

DESCRIPTION

FIG. 1 is a perspective view of a chair arm embodying the new design.
FIG. 2 is a left side view thereof.
FIG. 3 is a front elevational view thereof.
FIG. 4 is a rear elevational view thereof.
FIG. 5 is a top plan view thereof; and,
FIG. 6 is a bottom plan view thereof.

1 Claim, 6 Drawing Sheets



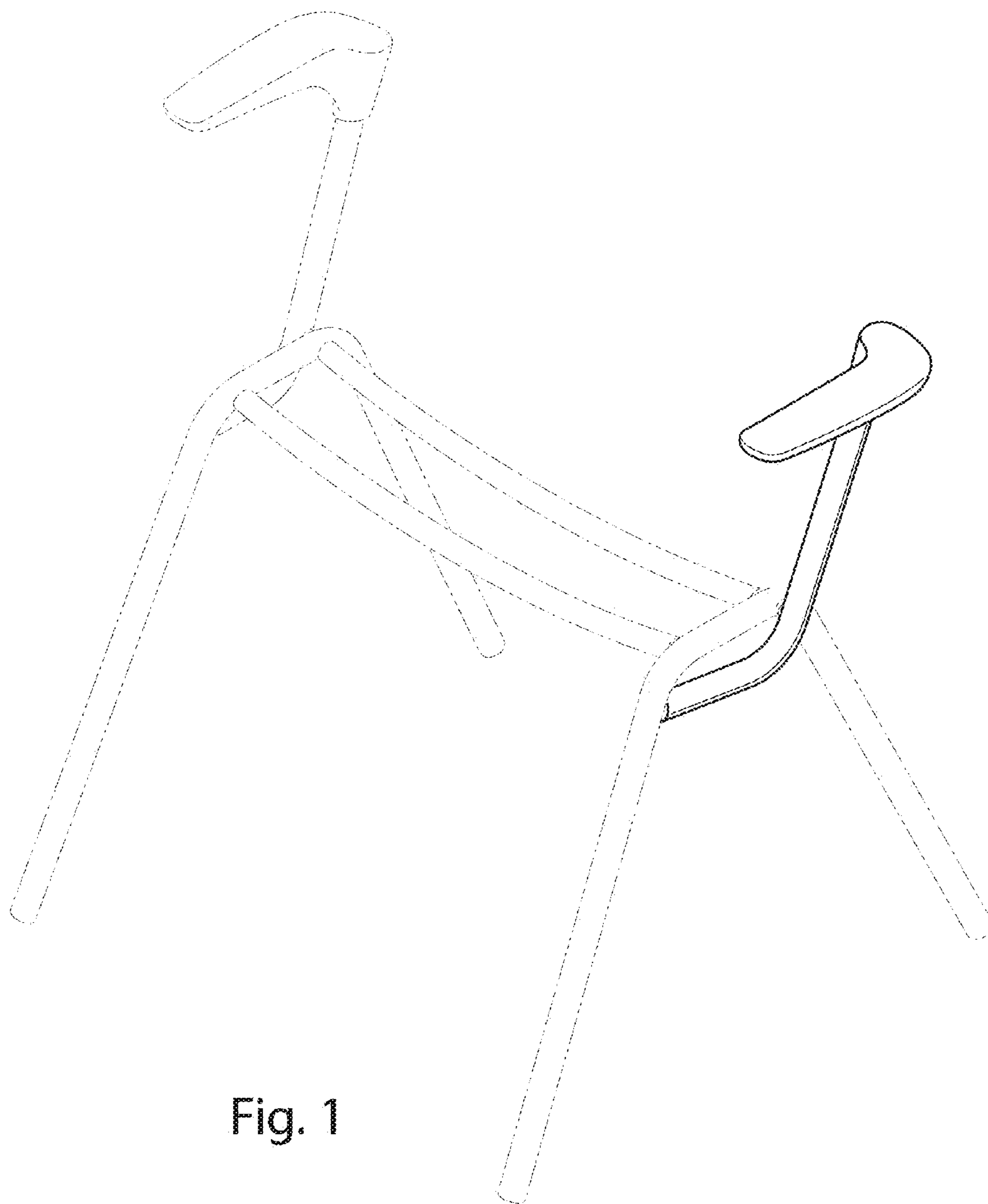


Fig. 1

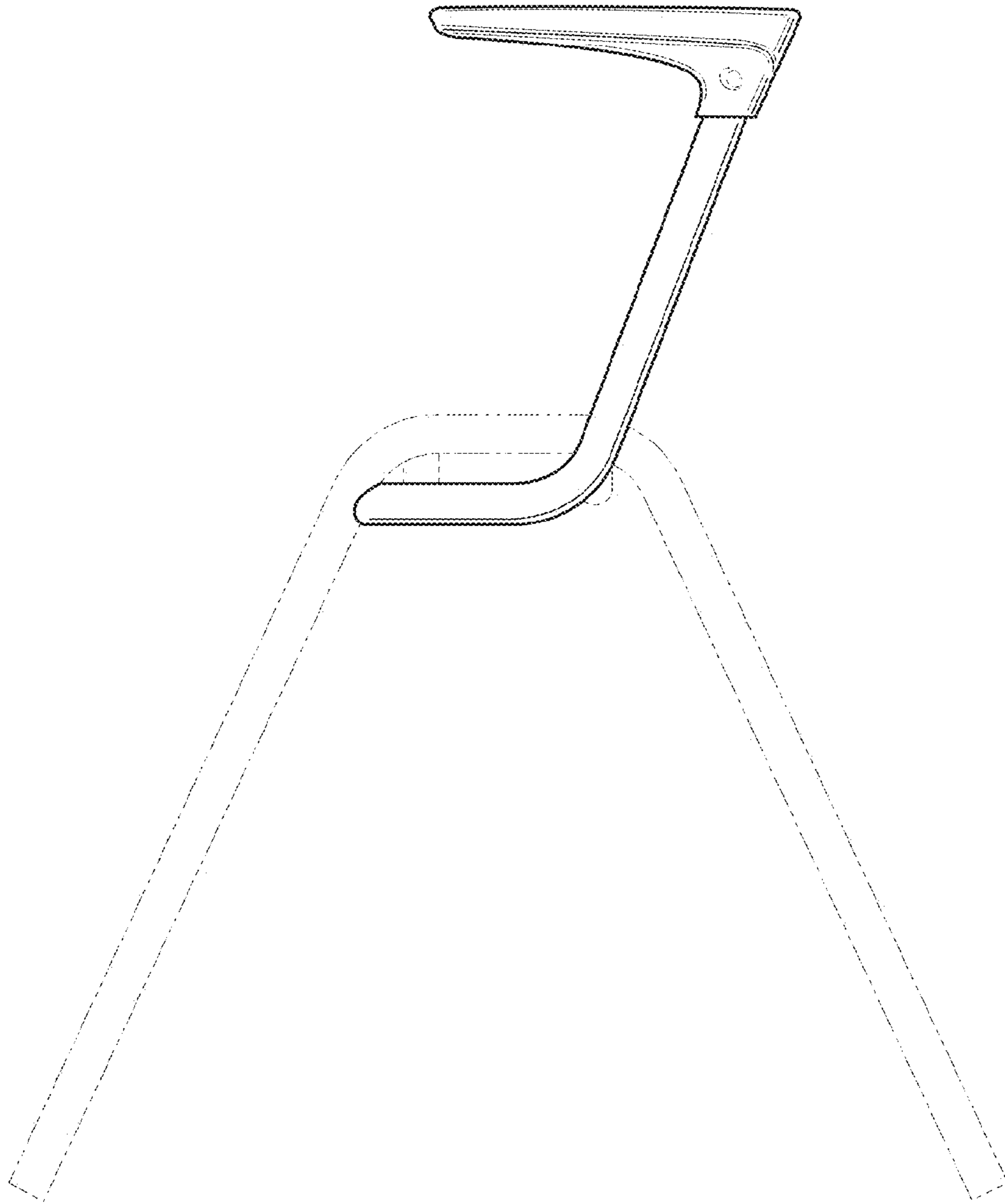


Fig. 2

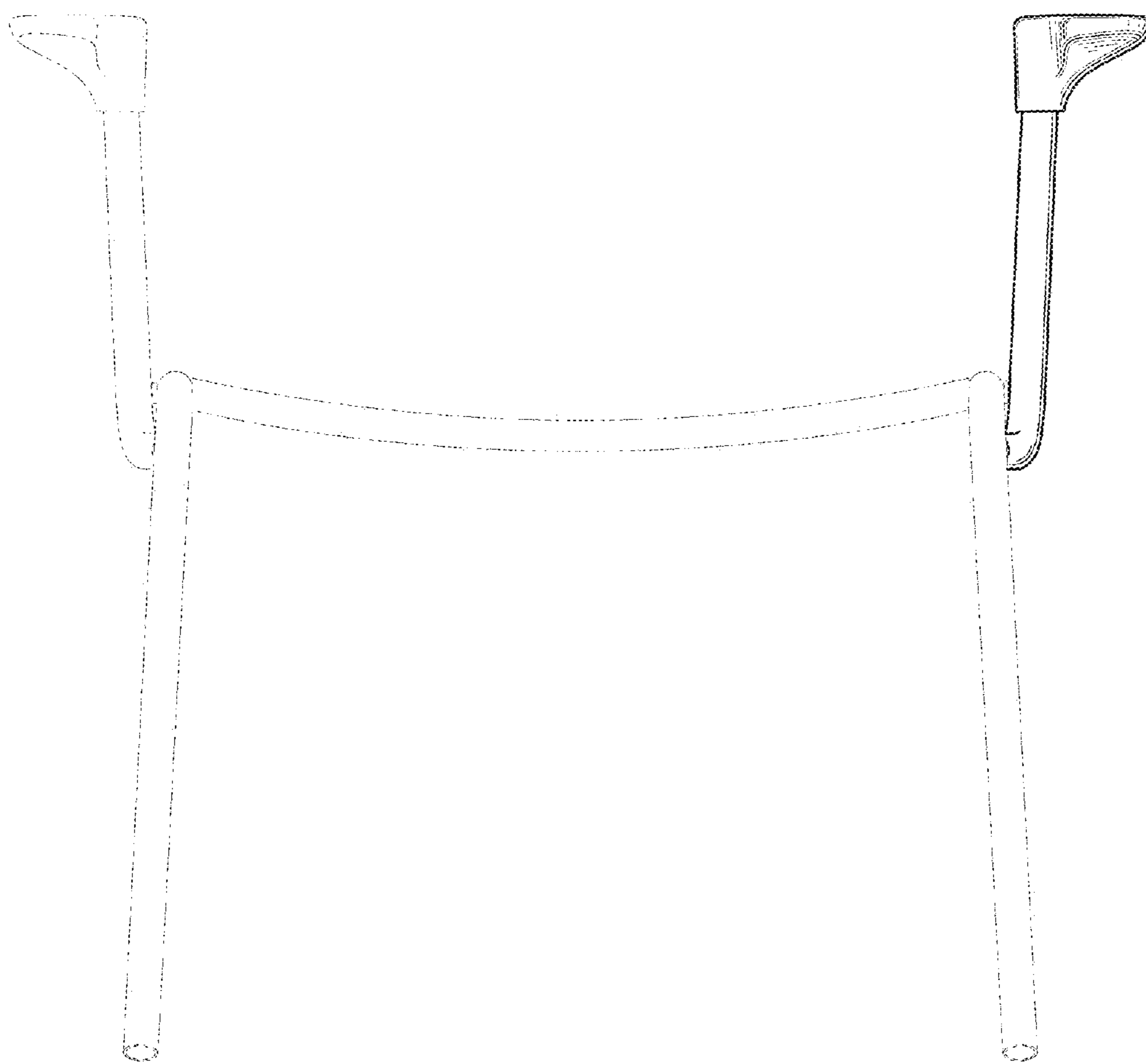


Fig. 3

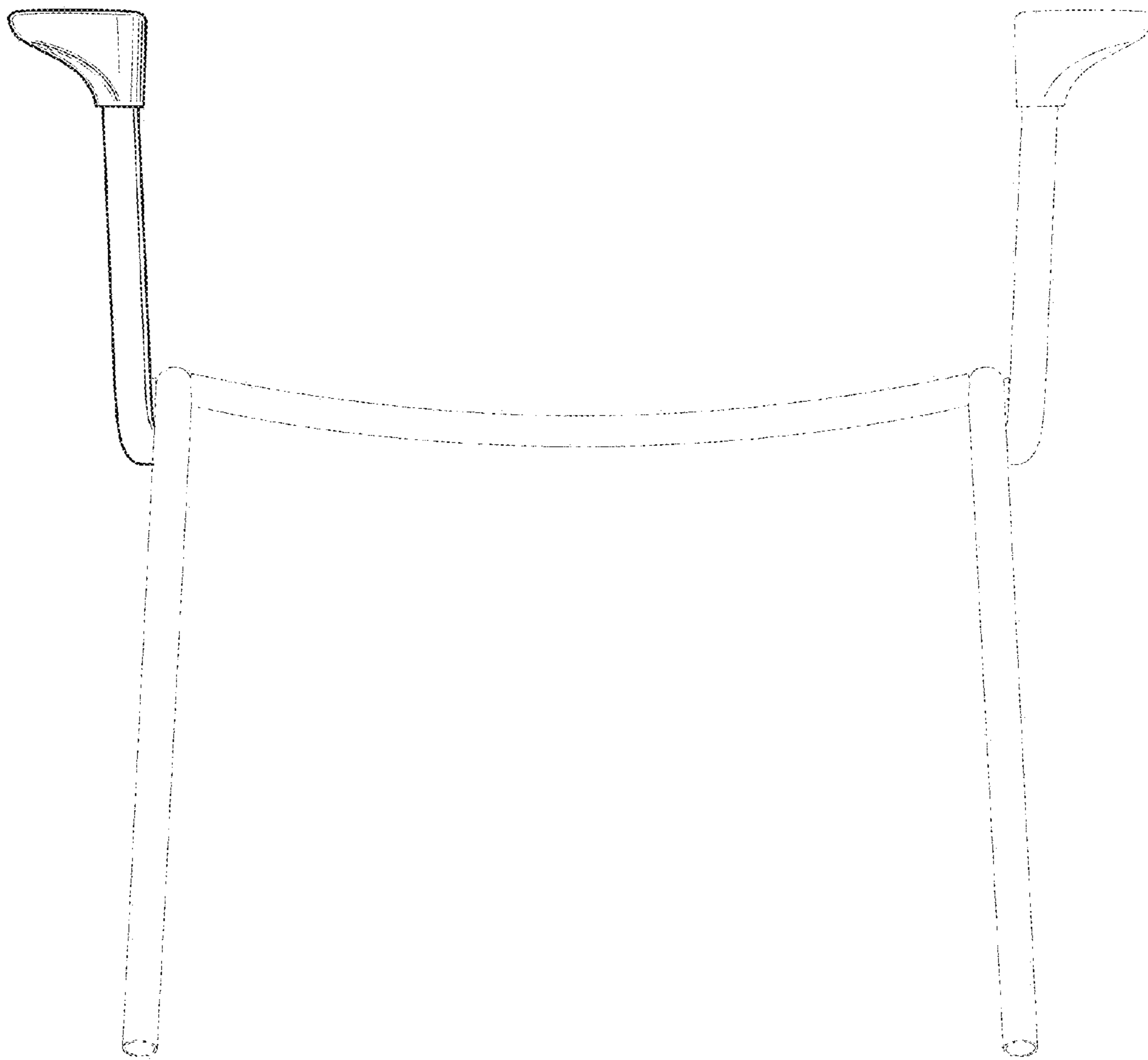


Fig. 4

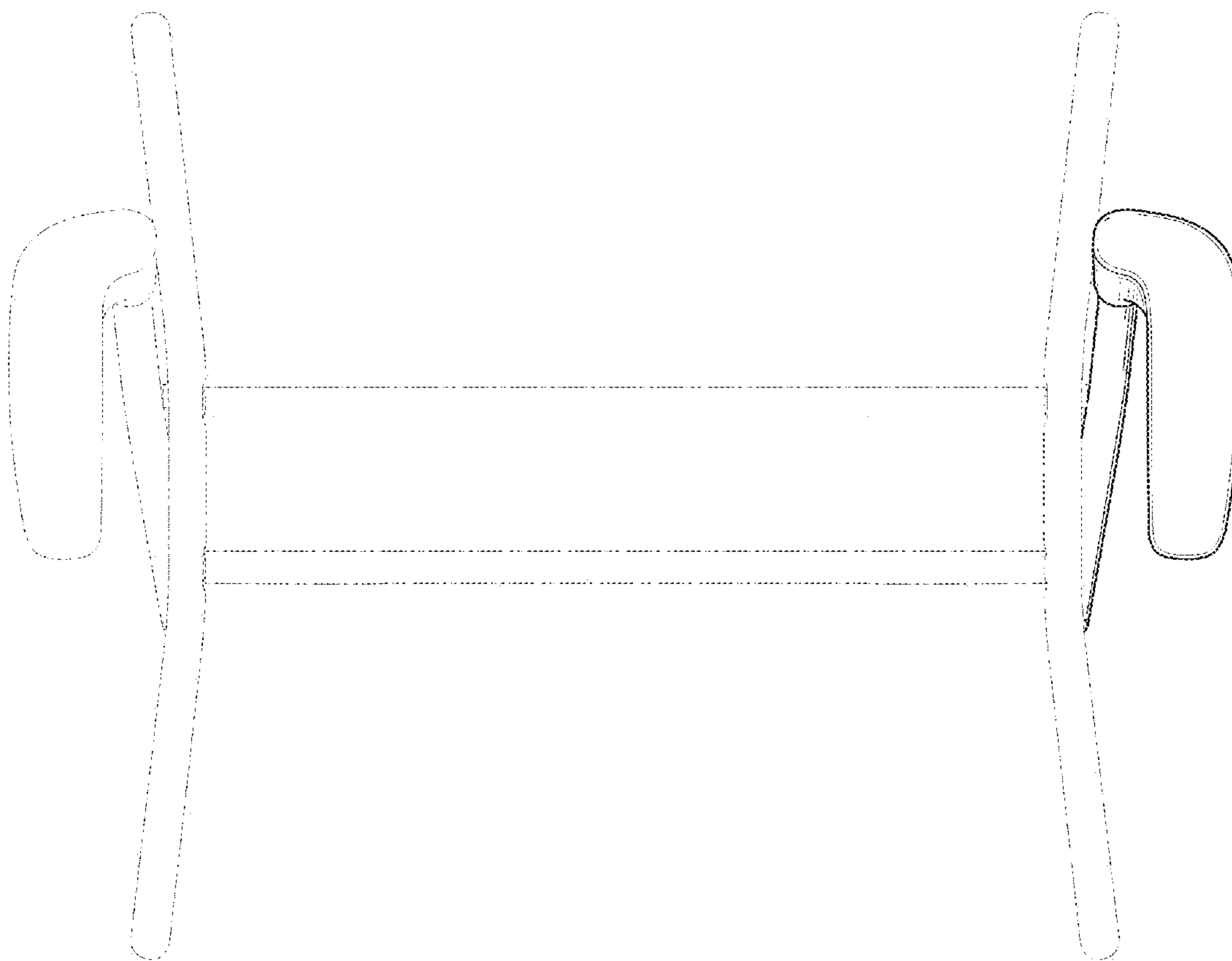


Fig. 5

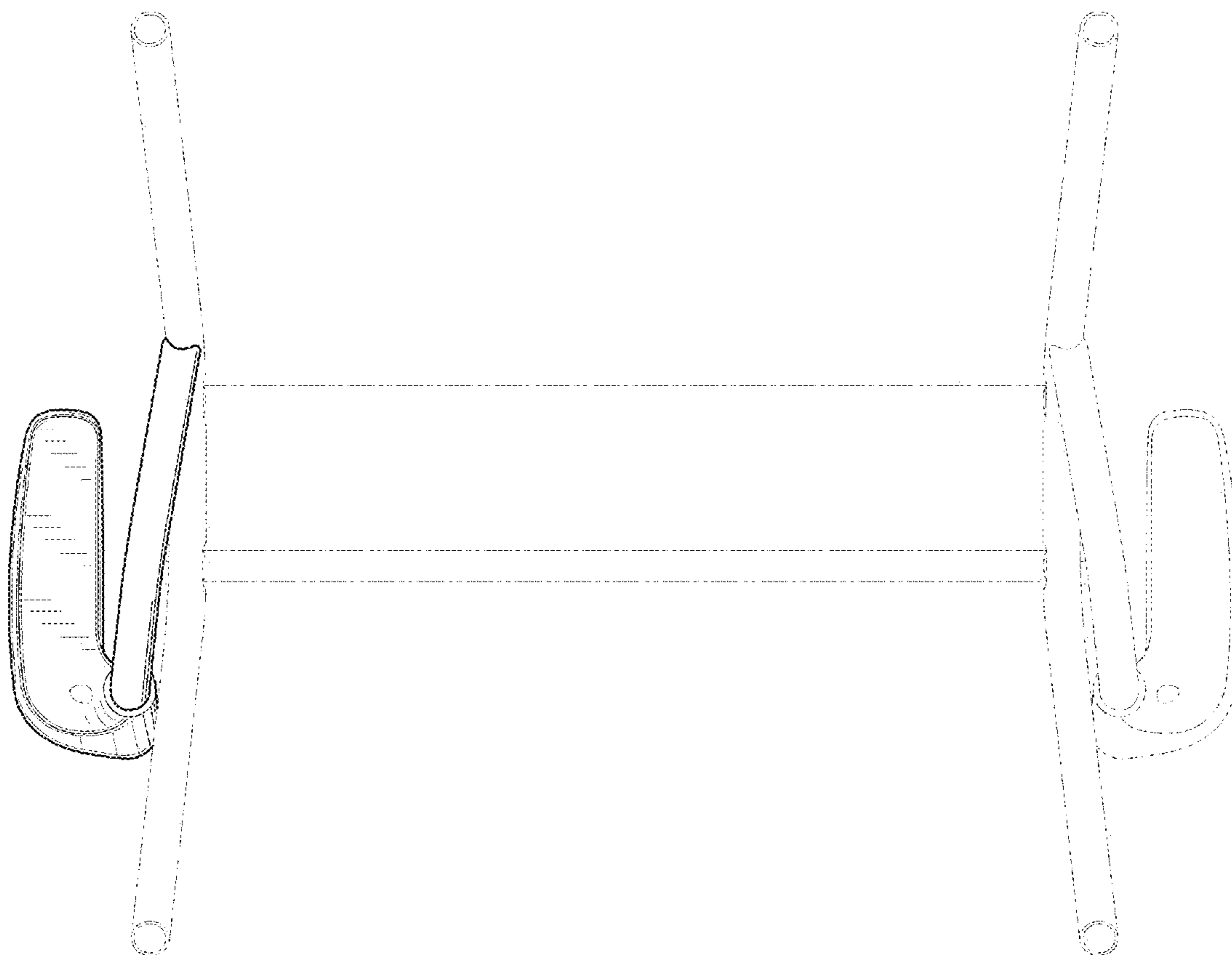


Fig. 6