



US00D683565S

(12) **United States Design Patent**
Chou

(10) **Patent No.:** **US D683,565 S**
(45) **Date of Patent:** **** Jun. 4, 2013**

(54) **BRACKET FOR A ROLLER BLIND**
(76) **Inventor:** **Tser Wen Chou, Taipei (TW)**
(**) **Term:** **14 Years**
(21) **Appl. No.:** **29/431,489**
(22) **Filed:** **Sep. 7, 2012**
(51) **LOC (9) Cl.** **06-10**
(52) **U.S. Cl.**
USPC **D6/580**
(58) **Field of Classification Search**
USPC **D6/575-581; D5/64, 66; D8/323,**
D8/349, 353, 368, 369, 376, 377, 382;
160/84.01-84.08, 111, 115, 130, 168.1 R,
160/199, 331, 332
See application file for complete search history.

6,382,296 B1 * 5/2002 Judkins 160/178.1 R
D482,223 S * 11/2003 Bibby et al. D6/580
6,981,539 B2 * 1/2006 Fraczek 160/84.05
D547,642 S * 7/2007 Urmson et al. D8/382
D566,825 S * 4/2008 Lucero D23/386
D592,437 S * 5/2009 Chou D6/580
D663,190 S * 7/2012 Mota et al. D8/349
D666,478 S * 9/2012 Chou D8/373
2011/0146664 A1 * 6/2011 Colson 126/619

* cited by examiner

Primary Examiner — Karen S Acker
(74) *Attorney, Agent, or Firm* — Ming Chow; Sinorica, LLC

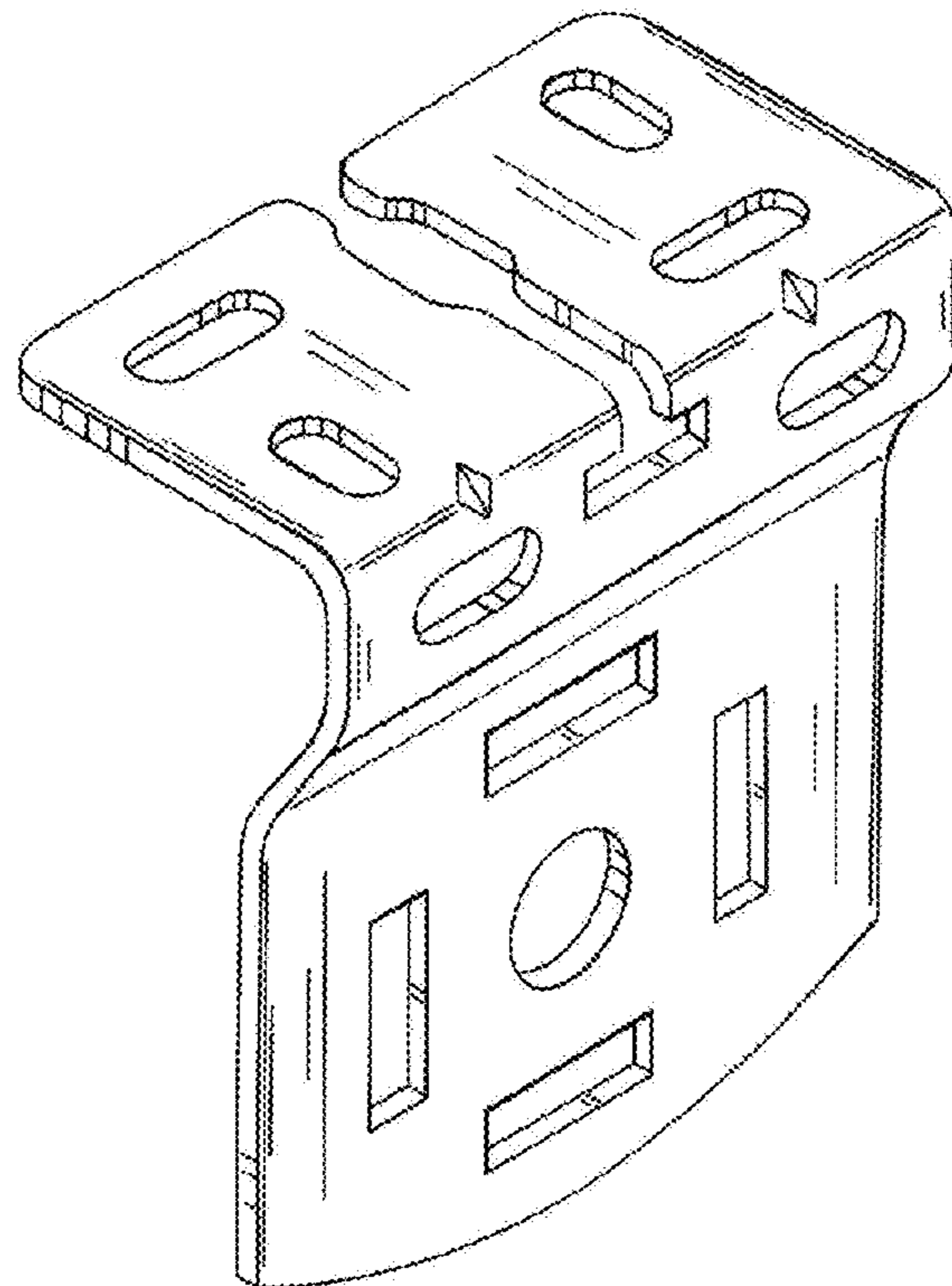
(57) **CLAIM**
The ornamental design for a bracket for a roller blind, as shown and described.

DESCRIPTION

FIG. 1 is a perspective view of a bracket for a roller blind;
FIG. 2 is a front view thereof;
FIG. 3 is a rear view thereof;
FIG. 4 is a right side view thereof;
FIG. 5 is a left side view thereof;
FIG. 6 is a top view thereof;
FIG. 7 is a bottom view thereof; and,
FIG. 8 is a perspective view of the bracket for a roller blind in an environment of use showing the design mounted at one end of a rail for a roller blind. The broken lines showing the rail represent unclaimed environmental subject matter that forms no part of the claimed design.

(56) **References Cited**
U.S. PATENT DOCUMENTS
2,839,776 A * 6/1958 Nelson 160/199
3,536,281 A * 10/1970 Attore et al. 248/73
4,314,433 A * 2/1982 Hulcombe 52/521
D272,719 S * 2/1984 Skjaeveland D8/394
4,447,030 A * 5/1984 Nattel 248/27.1
D327,214 S * 6/1992 Stuart D8/373
D366,825 S * 2/1996 Cox D8/382
D427,893 S * 7/2000 Lappin et al. D8/382
D436,311 S * 1/2001 Edvardsson D8/382
6,378,828 B1 * 4/2002 Valiulis et al. 248/231.81

1 Claim, 5 Drawing Sheets



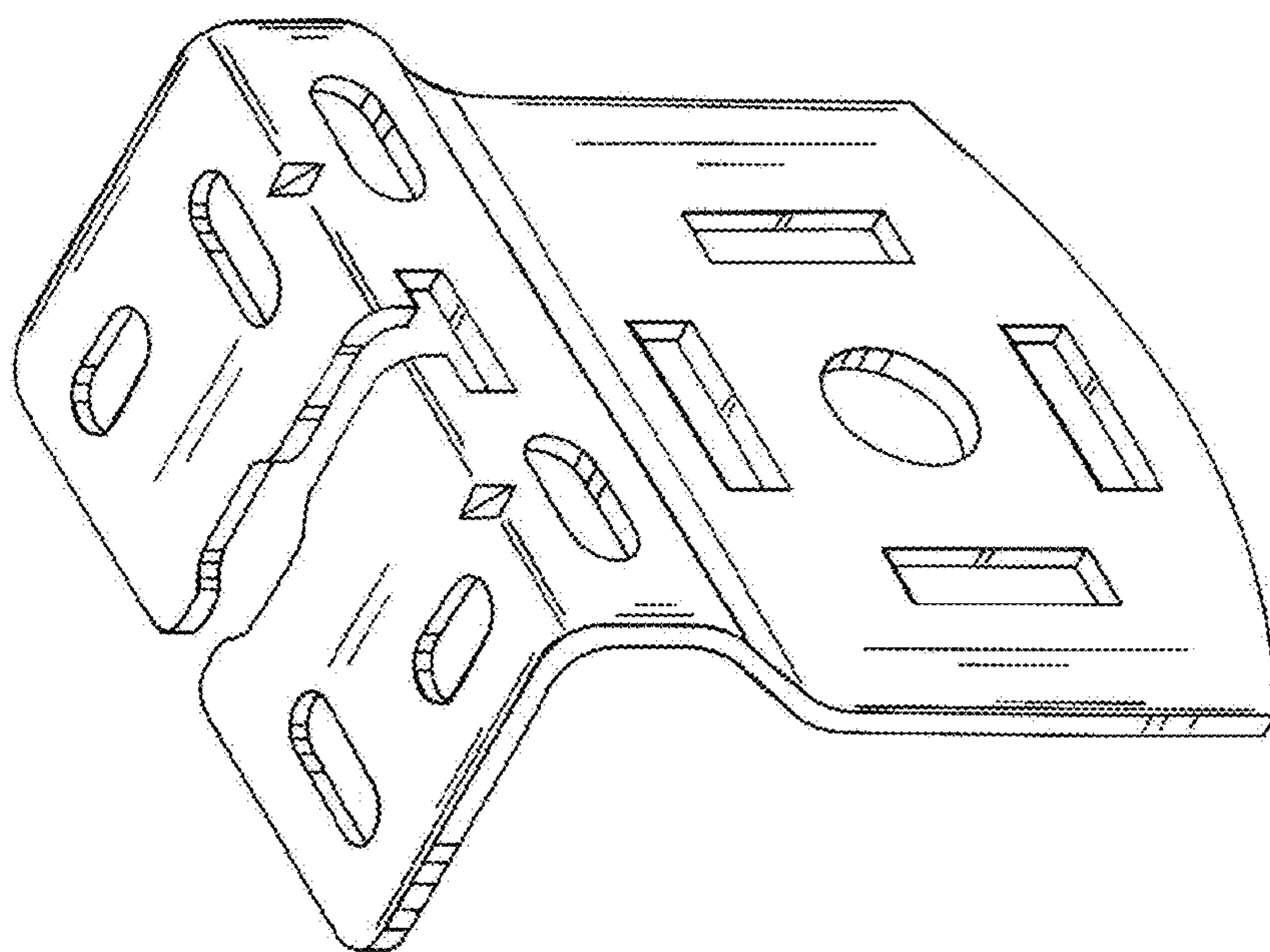


FIG.1

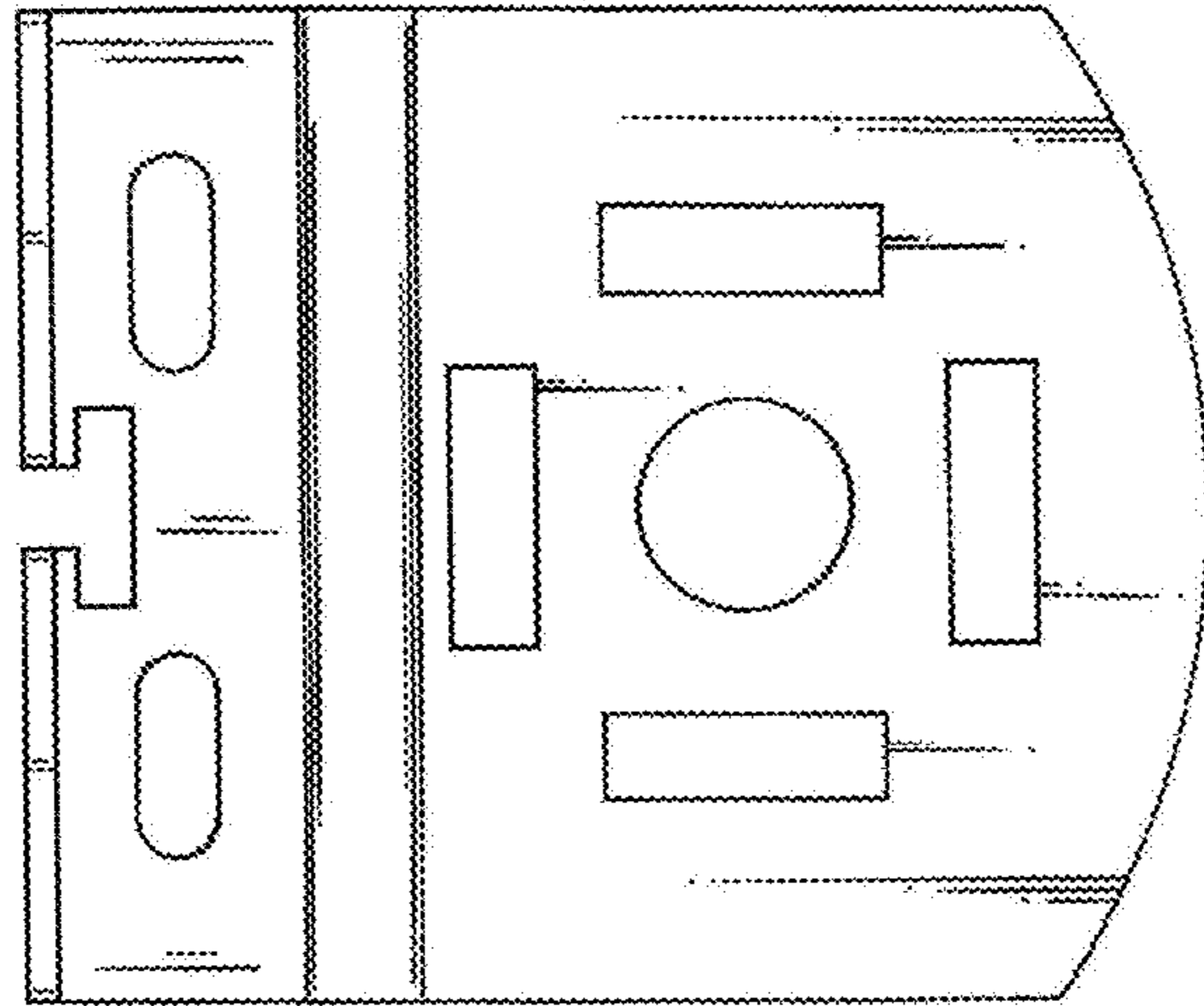


FIG. 2

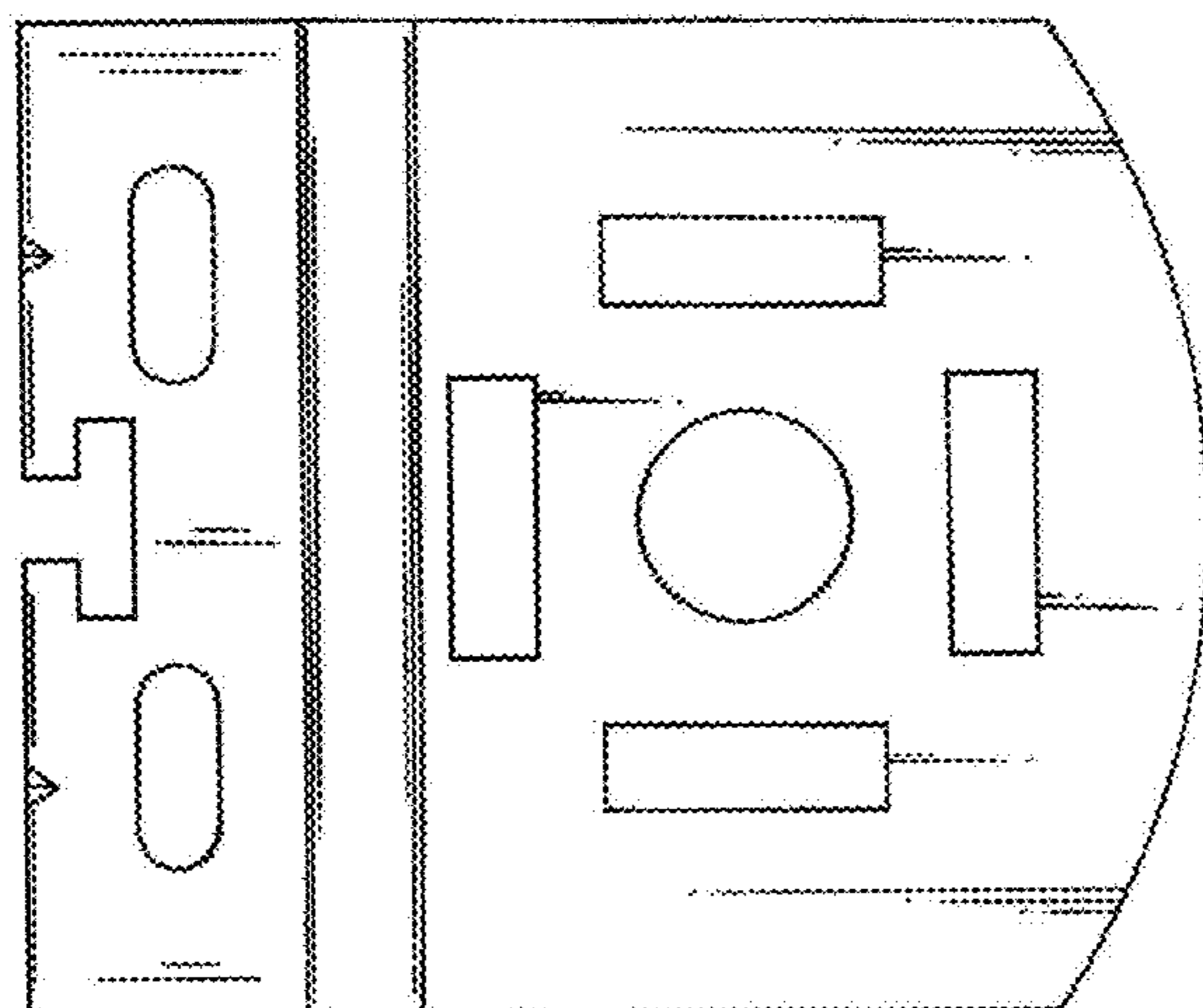


FIG. 3

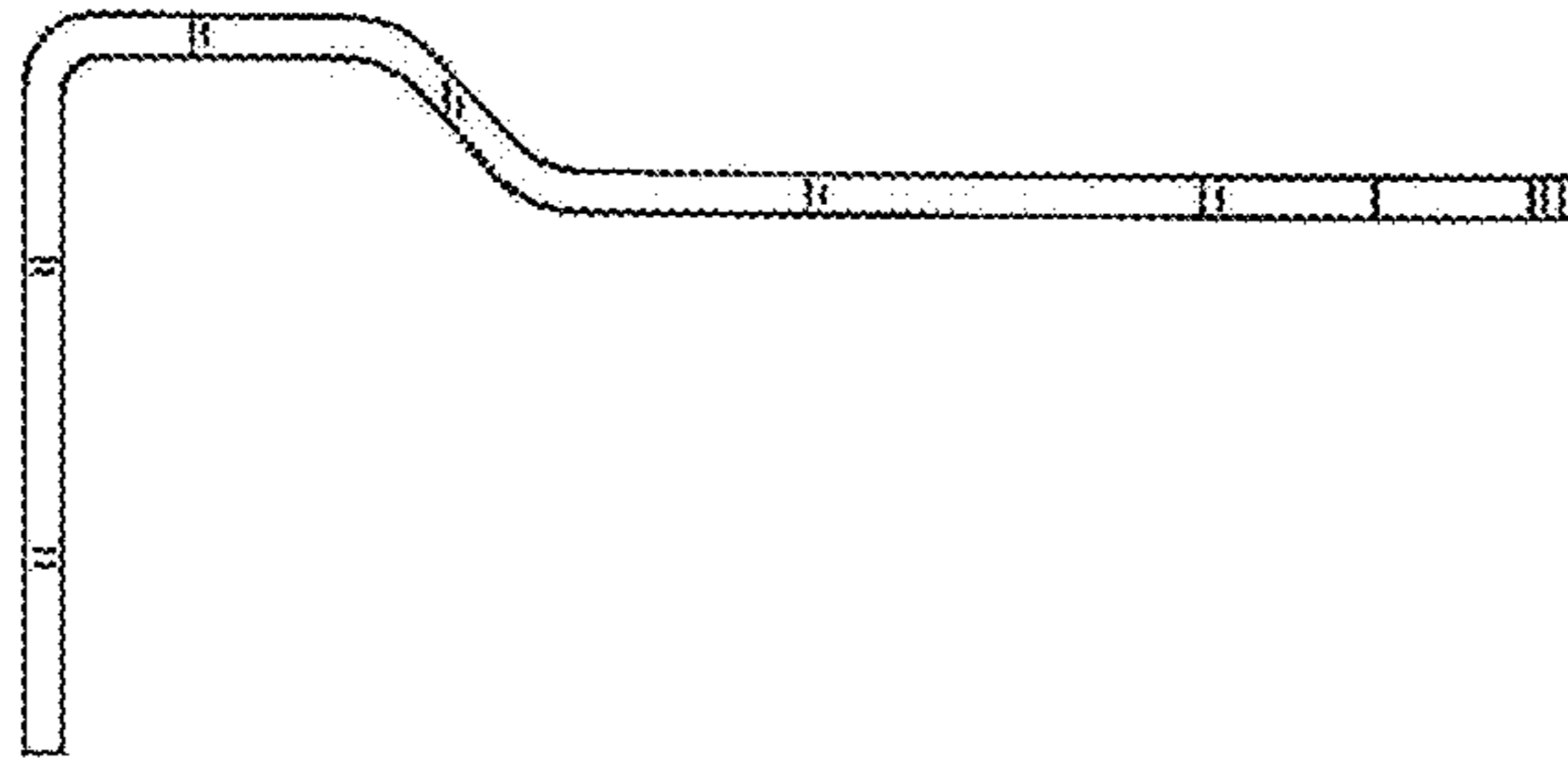


FIG.5

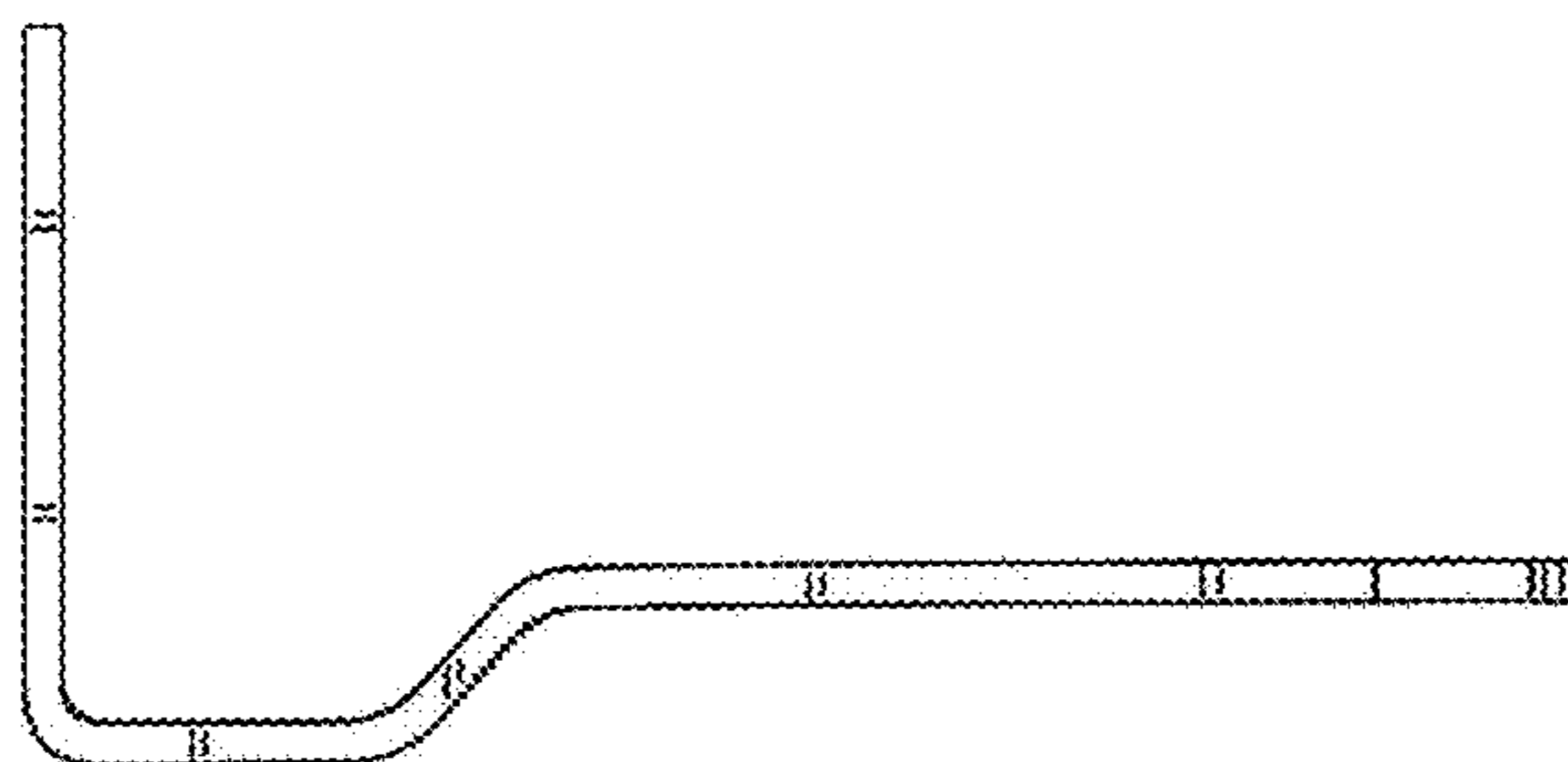


FIG.4

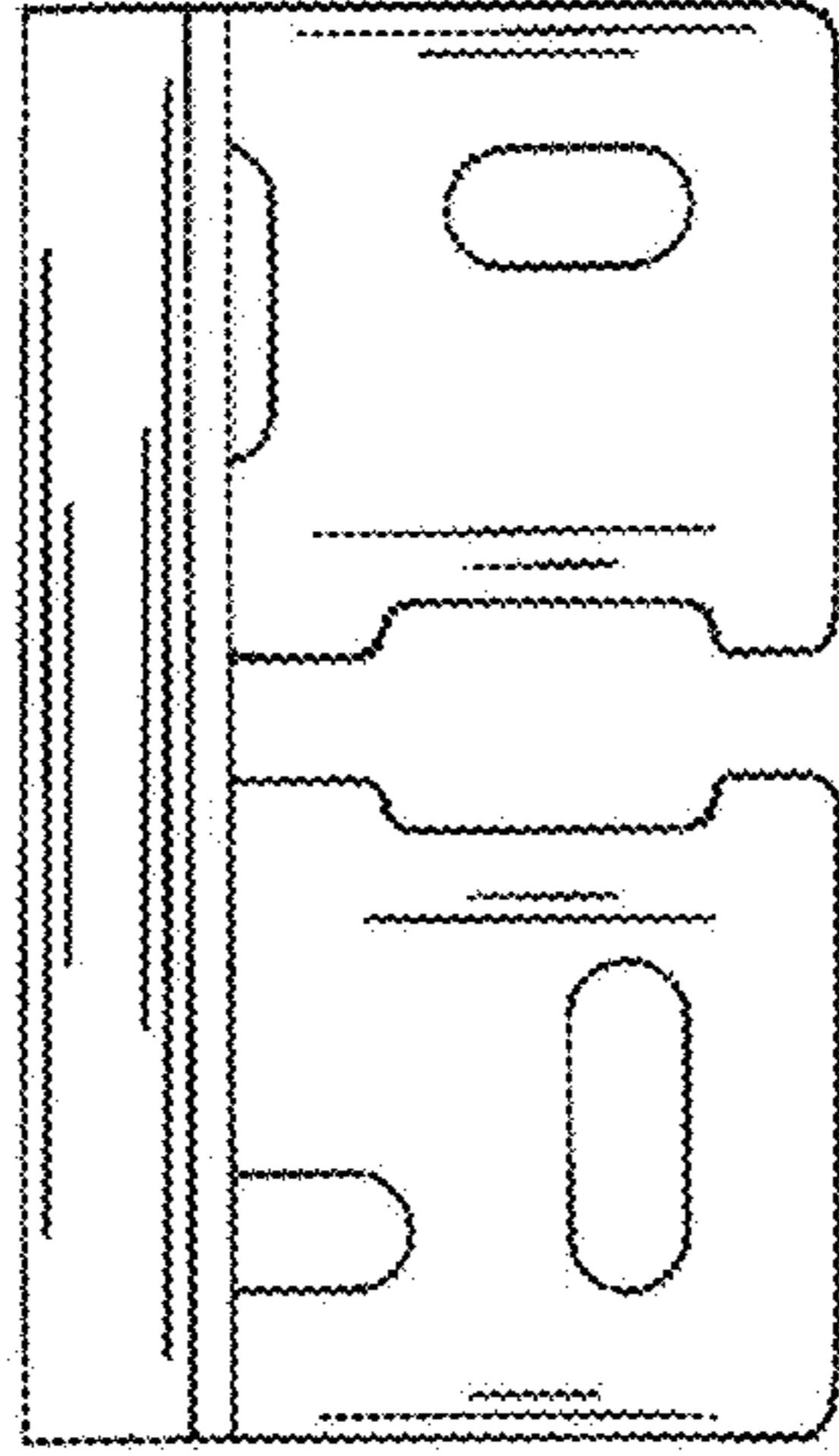


FIG. 6

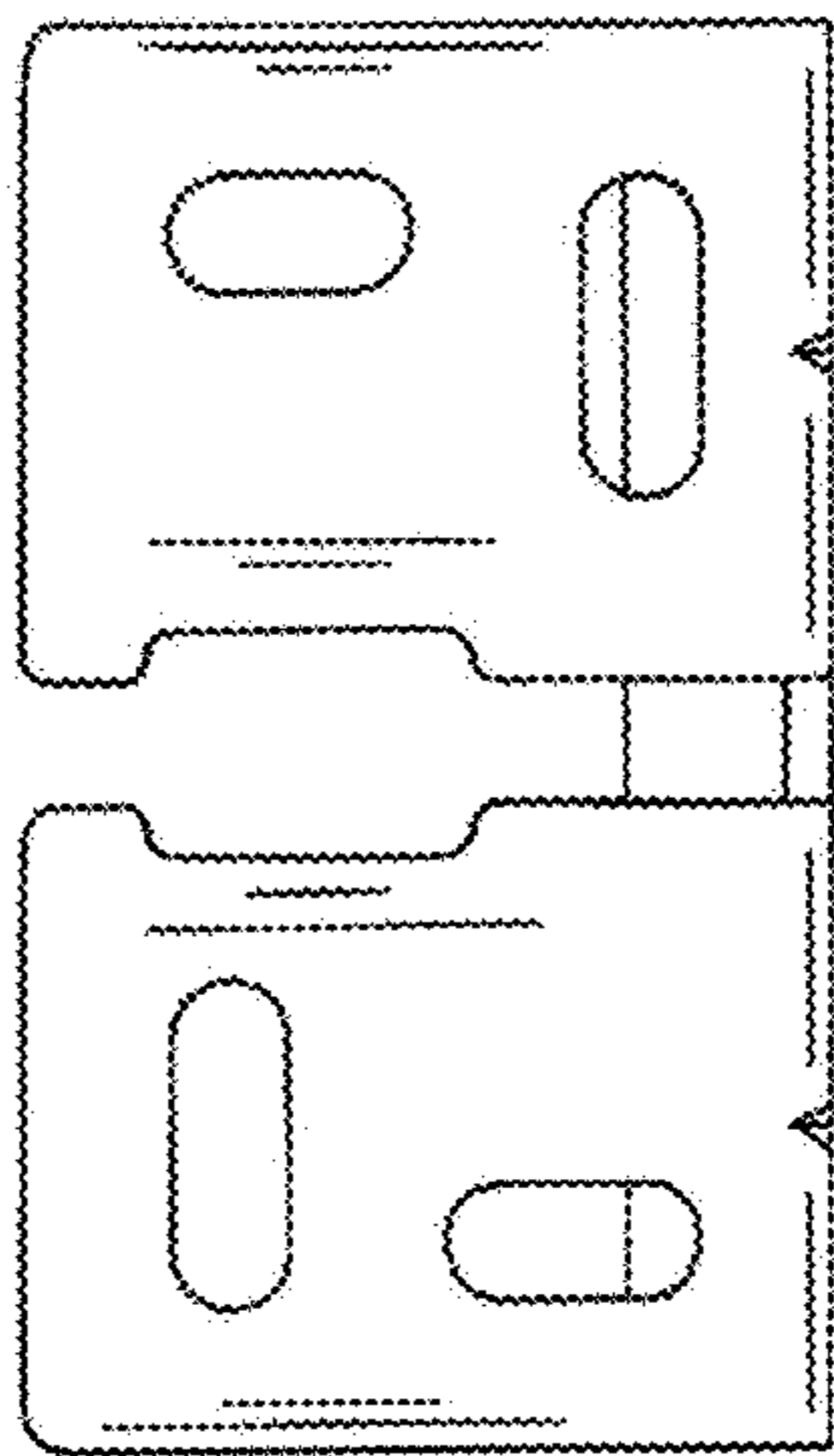


FIG. 7

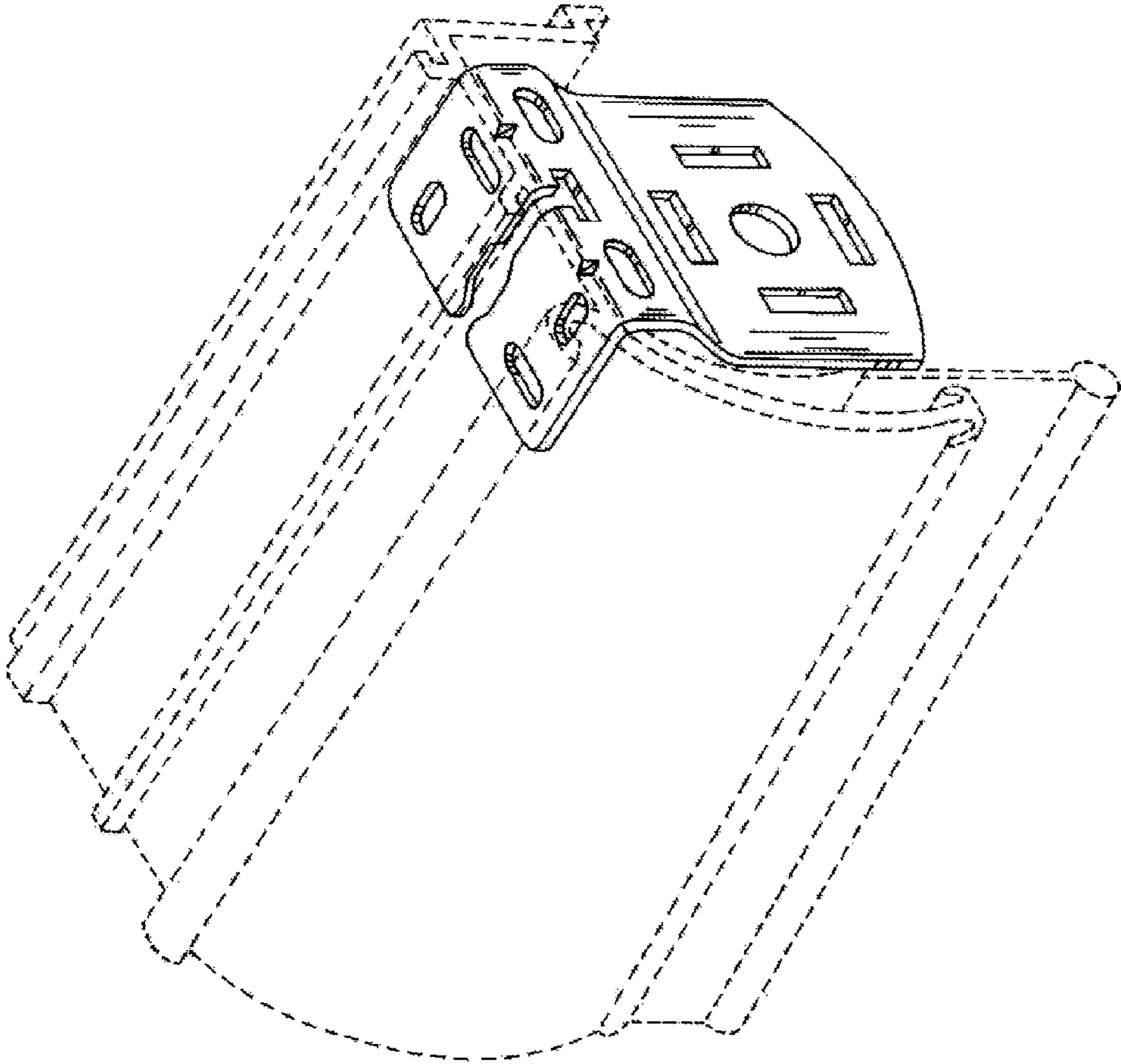


FIG.8