



US00D683564S

(12) **United States Design Patent**
Vagliardo

(10) **Patent No.:** **US D683,564 S**
(45) **Date of Patent:** **** Jun. 4, 2013**

(54) **POCKET FOR A SHOWER CURTAIN,
SHOWER CURTAIN LINER, SHOWER
CURTAIN PANEL, OR THE LIKE**

Primary Examiner — Susan Bennett Hattan
Assistant Examiner — Barbara B Lohr
(74) *Attorney, Agent, or Firm* — Alston & Bird LLP

(75) Inventor: **Courtney J. Vagliardo**, Brooklyn, NY
(US)

(73) Assignee: **Glenoit, LLC**, Goldsboro, NC (US)

(**) Term: **14 Years**

(21) Appl. No.: **29/401,270**

(22) Filed: **Sep. 9, 2011**

(51) **LOC (9) Cl.** **06-10**

(52) **U.S. Cl.**
USPC **D6/578**

(58) **Field of Classification Search**
USPC D6/575, 576, 578, 579, 580; 160/38,
160/330, 348, 349.1, 352; 4/557, 558, 607,
4/608, 609, 610
See application file for complete search history.

(56) **References Cited**

U.S. PATENT DOCUMENTS

2,613,368	A	10/1952	Rosenbaum	
2,817,850	A	12/1957	Barbour et al.	
D231,291	S	4/1974	Villaran	
D370,583	S *	6/1996	Fiddler	D6/578
5,761,751	A	6/1998	Morrissey	
6,154,894	A *	12/2000	Alexander et al.	4/609
6,289,967	B1	9/2001	Moore	
6,591,432	B1	7/2003	Feinstein et al.	
D505,582	S *	5/2005	Johnson	D6/578
6,896,155	B1	5/2005	Jones et al.	
7,000,674	B1	2/2006	Johnson	
7,770,243	B1 *	8/2010	Wise	4/558
2006/0080770	A1	4/2006	Rich	
2009/0151068	A1	6/2009	Rice	

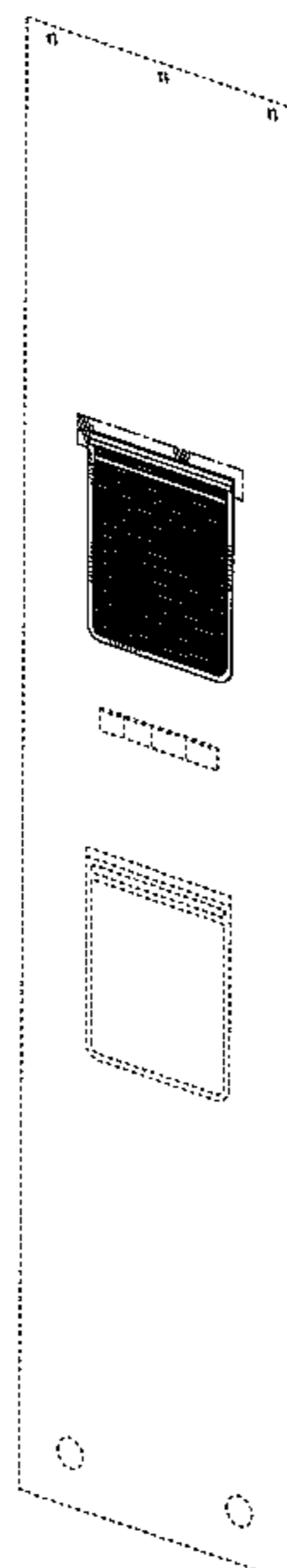
* cited by examiner

(57) **CLAIM**
The ornamental design for a pocket for a shower curtain, shower curtain liner, shower curtain panel, or the like, as shown and described.

DESCRIPTION

FIG. 1 is a perspective view of a pocket for a shower curtain, shower curtain liner, shower curtain panel, or the like according to my new design, shown in the environment of a shower curtain panel;
FIG. 2 is a front elevation view thereof;
FIG. 3 is a rear elevation view thereof;
FIG. 4 is a left side elevation view thereof;
FIG. 5 is a right side elevation view thereof;
FIG. 6 is a top plan view thereof;
FIG. 7 is a bottom plan view thereof;
FIG. 8 is an enlarged perspective view of a portion thereof;
FIG. 9 is a front plan view thereof;
FIG. 10 is a left side elevation view thereof;
FIG. 11 is a right side elevation view thereof;
FIG. 12 is a further enlarged portion thereof, illustrated as portion 12 in FIG. 10;
FIG. 13 is a top plan view thereof; and,
FIG. 14 is a bottom plan view thereof.
The inner perimeter broken line of FIGS. 1, 2, 8, and 9 forms a boundary of the claimed design, while all other broken lines are directed to environment and are for illustrative purposes only. The broken lines form no part of the claimed design.

1 Claim, 8 Drawing Sheets



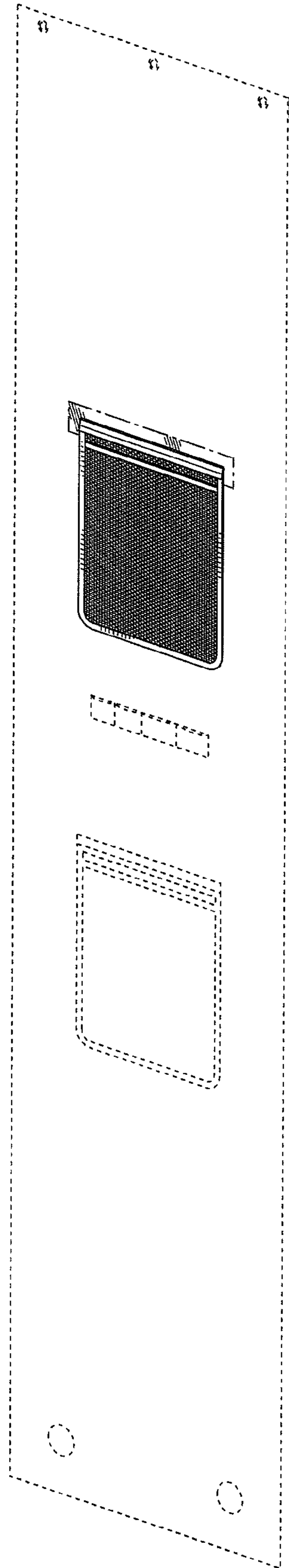


FIG. 1

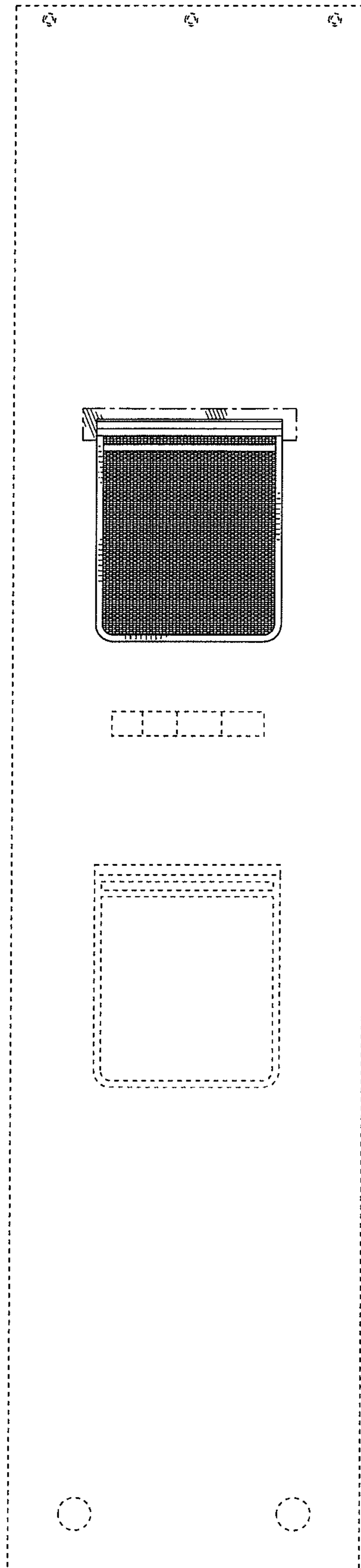


FIG. 2

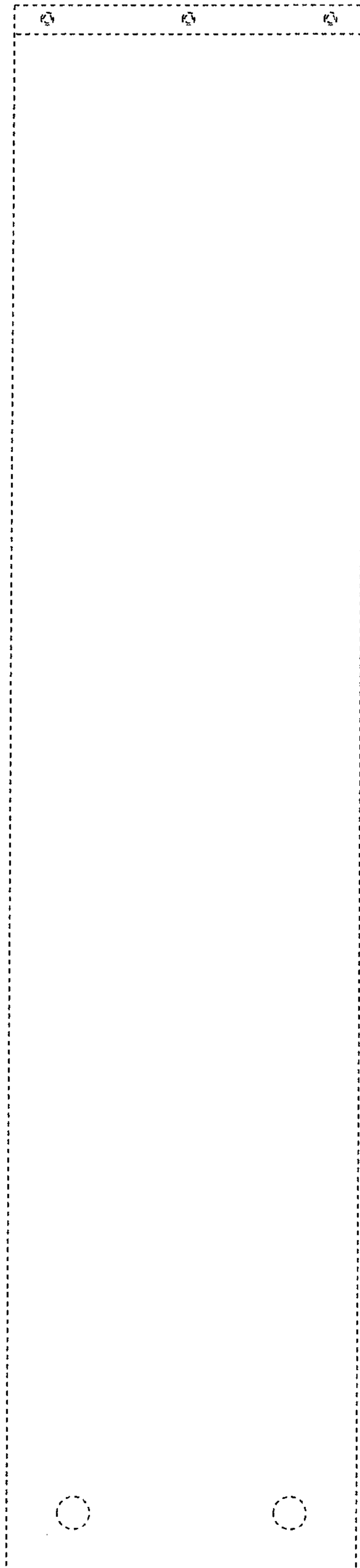


FIG. 3

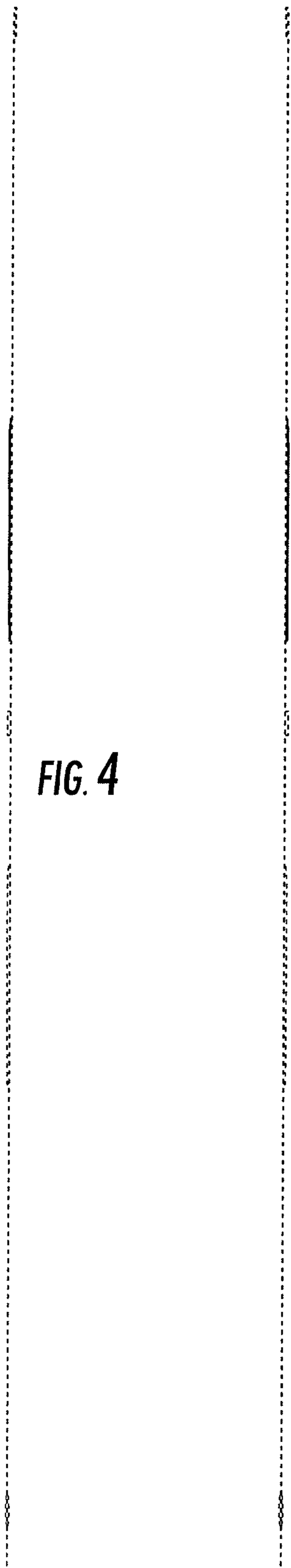


FIG. 4

FIG. 5



FIG. 6

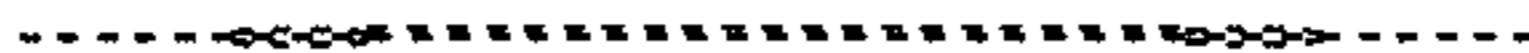


FIG. 7

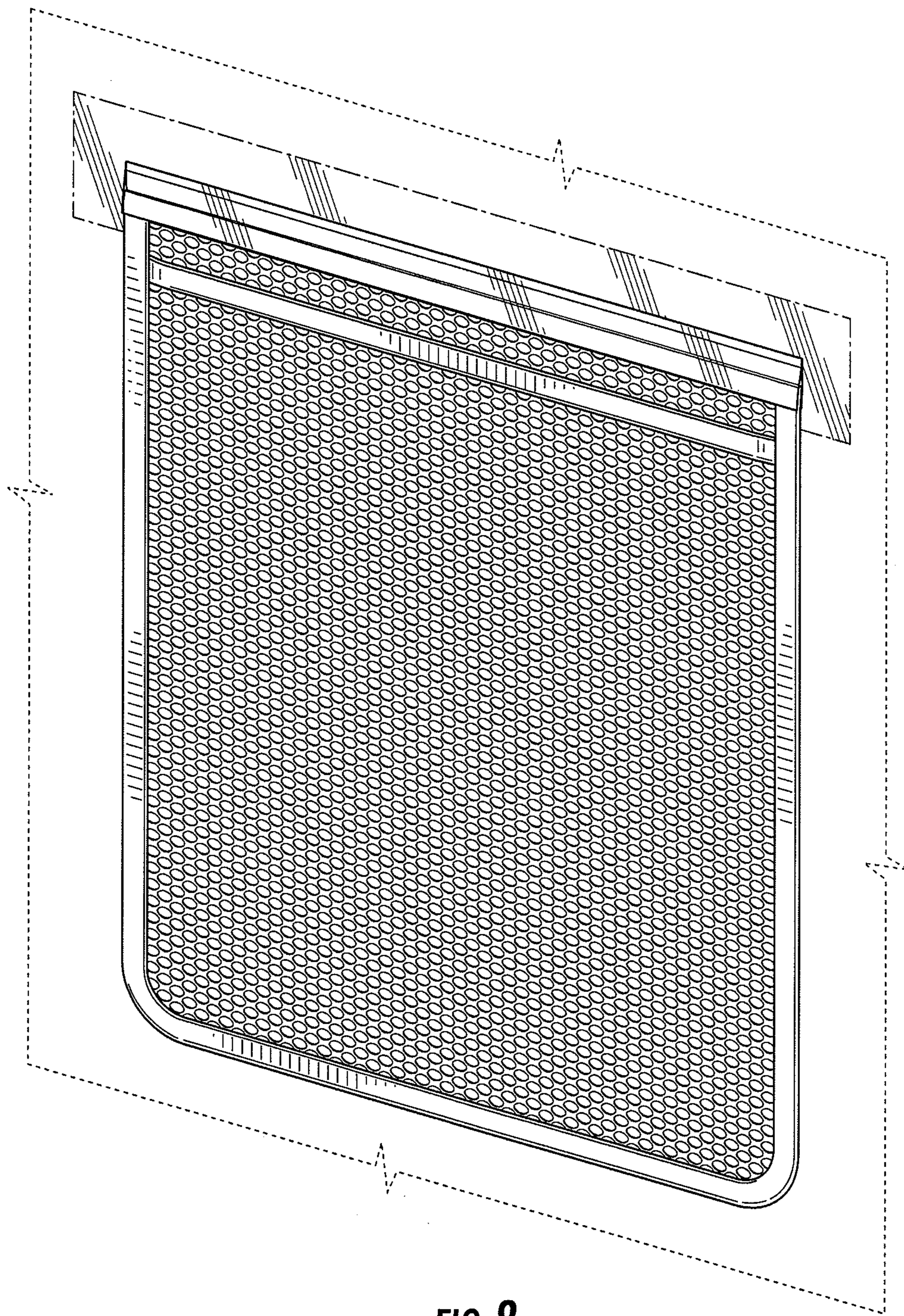


FIG. 8

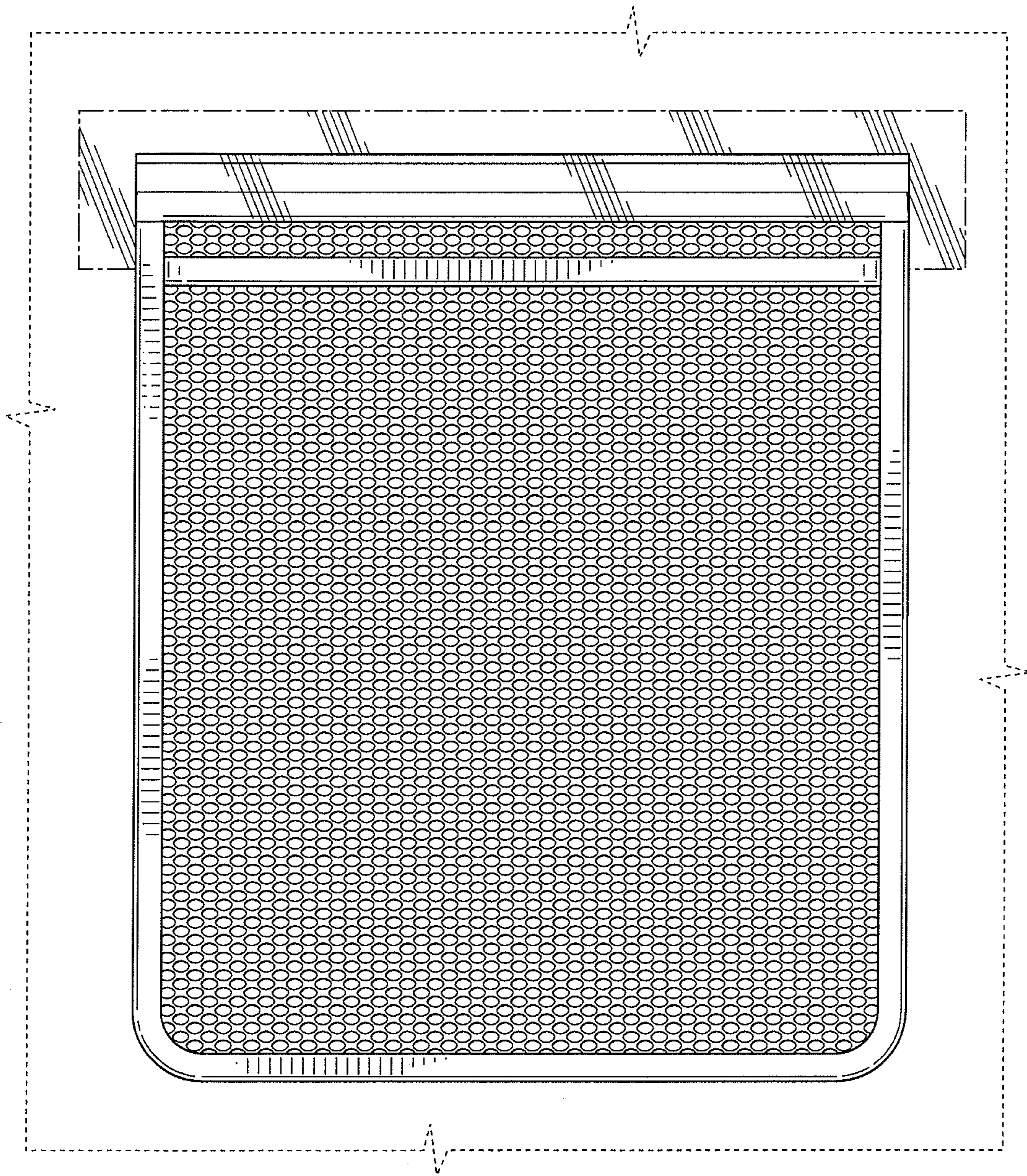


FIG. 9

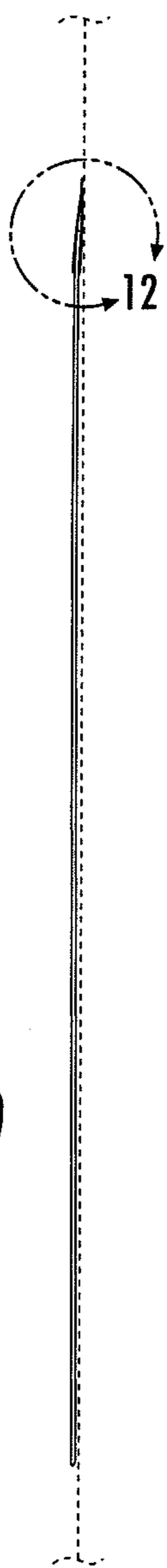


FIG. 10

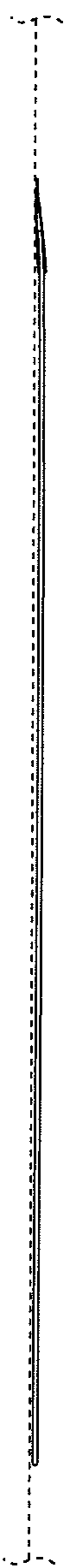


FIG. 11

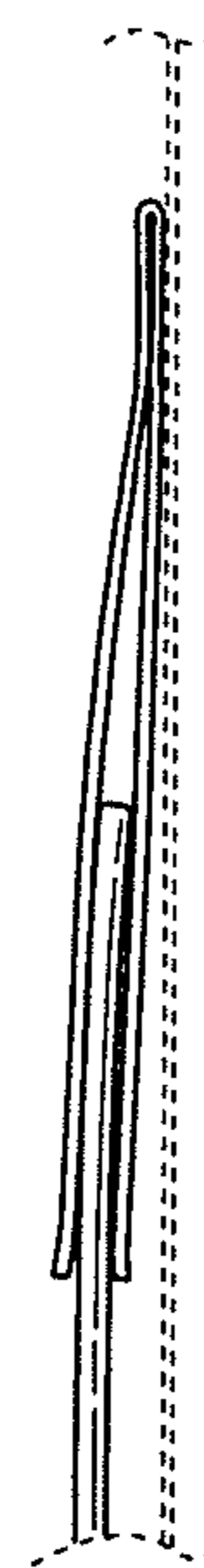


FIG. 12

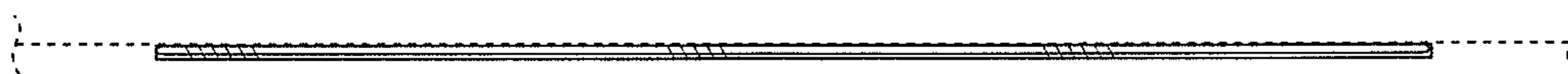


FIG. 13

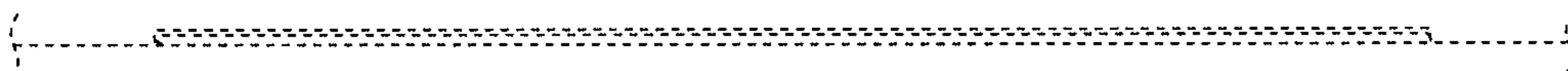


FIG. 14