



US00D683562S

(12) **United States Design Patent**
Izay

(10) **Patent No.:** **US D683,562 S**
(45) **Date of Patent:** **** Jun. 4, 2013**

(54) **TOWEL HOLDER**

(76) Inventor: **Steve Izay**, Los Angeles, CA (US)

(**) Term: **14 Years**

(21) Appl. No.: **29/428,757**

(22) Filed: **Aug. 2, 2012**

(51) **LOC (9) Cl.** **06-04**

(52) **U.S. Cl.**
USPC **D6/546**

(58) **Field of Classification Search**
USPC D6/546-550; 211/13.1, 16, 60.1,
211/86.01, 87.01, 88.04, 105.1, 105.2, 106,
211/181.1; 248/205.1, 214, 251-254, 261,
248/302, 304, 305.1; D3/205, 215
See application file for complete search history.

(56) **References Cited**

U.S. PATENT DOCUMENTS

D176,373 S	12/1955	O'Connor	
D176,374 S	12/1955	O'Connor	
D251,124 S *	2/1979	Takeuchi D6/546
D293,056 S	12/1987	Likness	
D293,057 S	12/1987	Likness	
D328,393 S	8/1992	Spavold	
D368,821 S	4/1996	Michaud	
D397,568 S *	9/1998	Jonas D6/546
D424,351 S	5/2000	Hill	

D446,658 S	8/2001	Osborne	
D503,085 S	3/2005	McGrath	
D603,636 S *	11/2009	Germany D6/546
D633,739 S *	3/2011	Hamdia D6/546
D663,562 S *	7/2012	Vanderwerf et al. D6/546

* cited by examiner

Primary Examiner — Brian N Vinson

(74) *Attorney, Agent, or Firm* — QuickPatents; Kevin Prince

(57) **CLAIM**

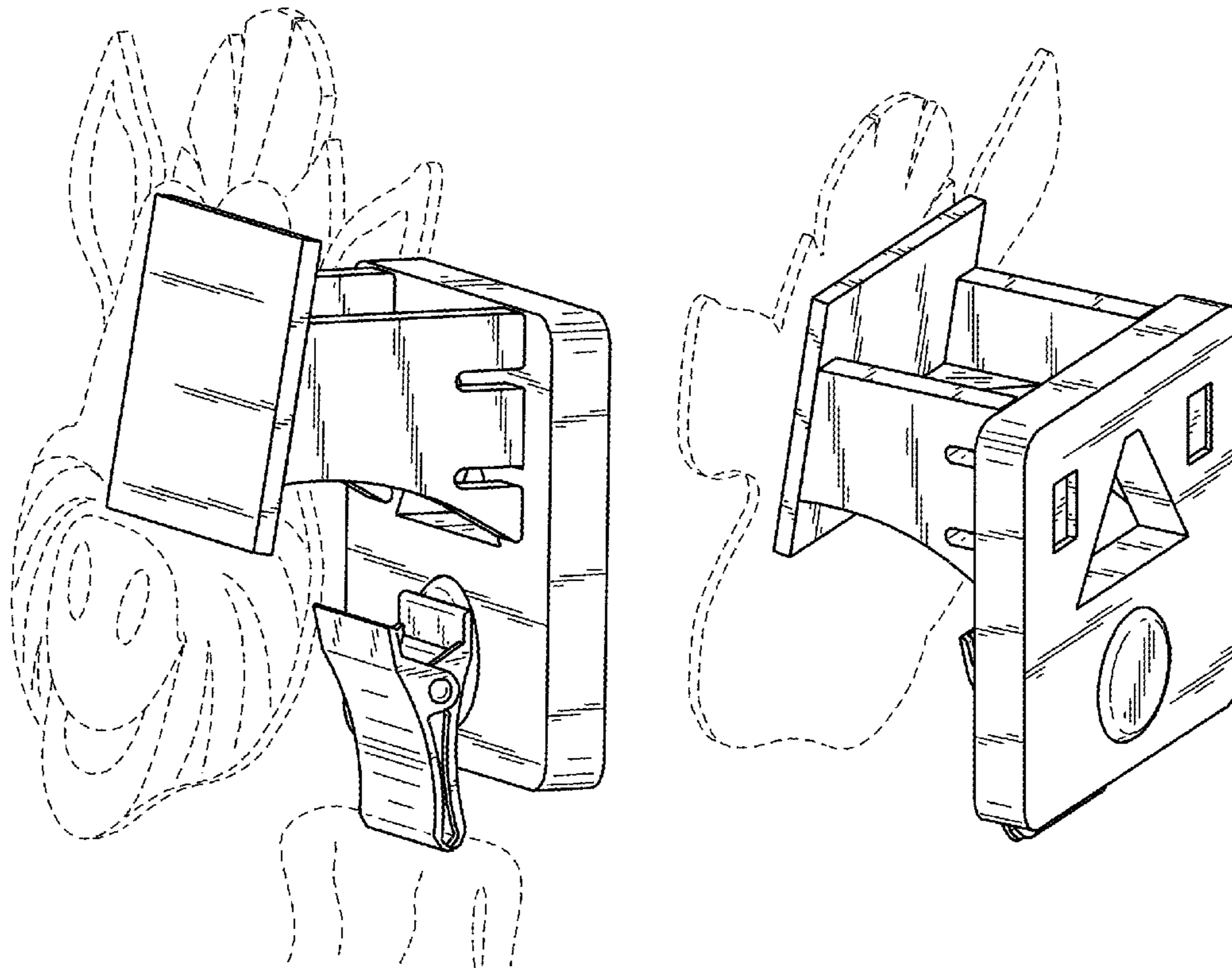
I claim the ornamental design for a towel holder, as shown and described.

DESCRIPTION

FIG. 1 is a front perspective view of a towel holder, showing my new design;
 FIG. 2 is a rear perspective view thereof;
 FIG. 3 is a front elevational view thereof;
 FIG. 4 is a left-side elevational view thereof, the right-side elevational view being a mirror image thereof;
 FIG. 5 is a top plan view thereof;
 FIG. 6 is a rear elevational view thereof; and,
 FIG. 7 is a bottom plan view thereof.

The broken lines showing an animal face cut-out in FIGS. 1 and 2, and a towel in FIG. 1, and a spring in FIG. 5, depict environmental matter and form no part of the claimed design.

1 Claim, 3 Drawing Sheets



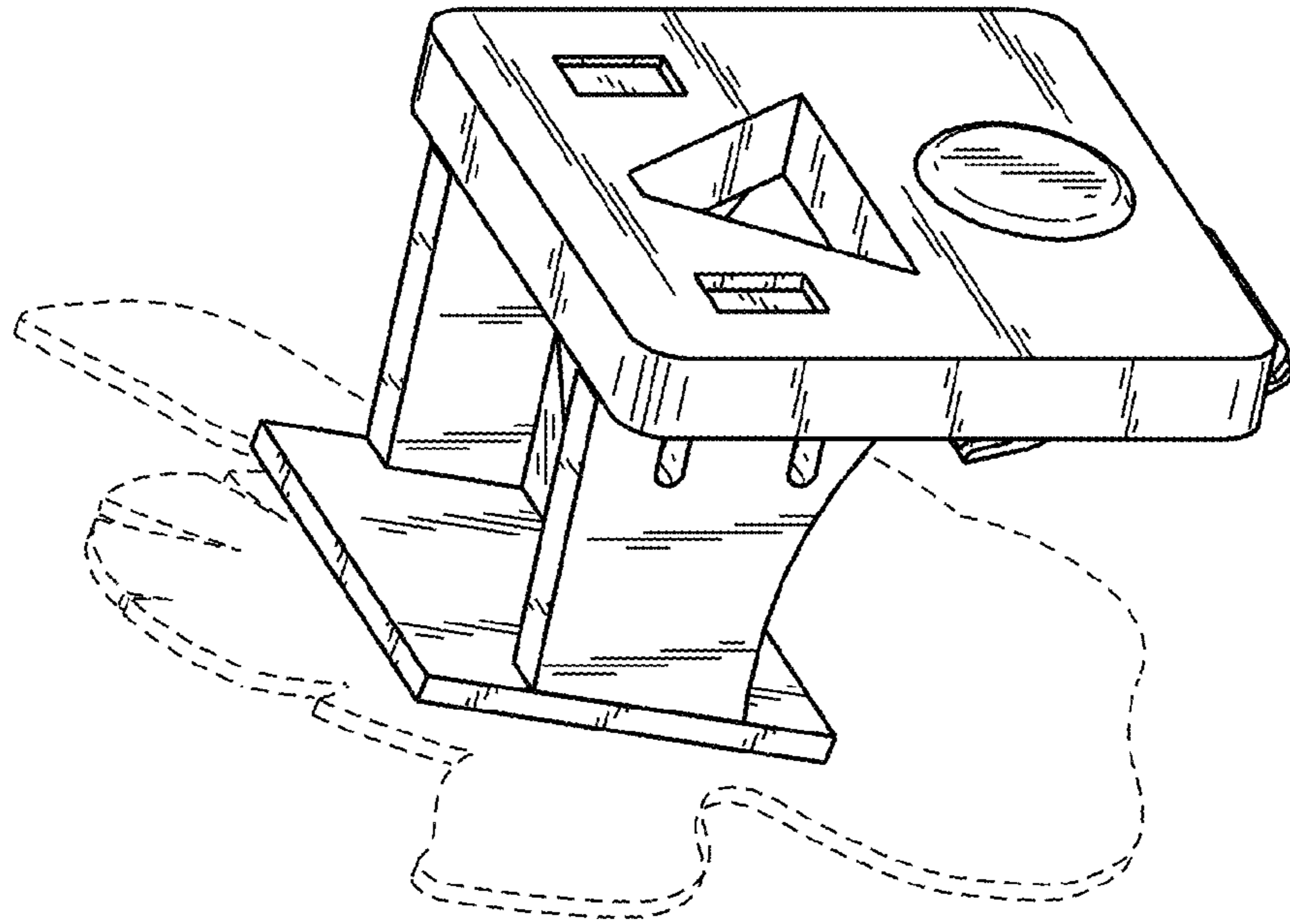


FIG. 2

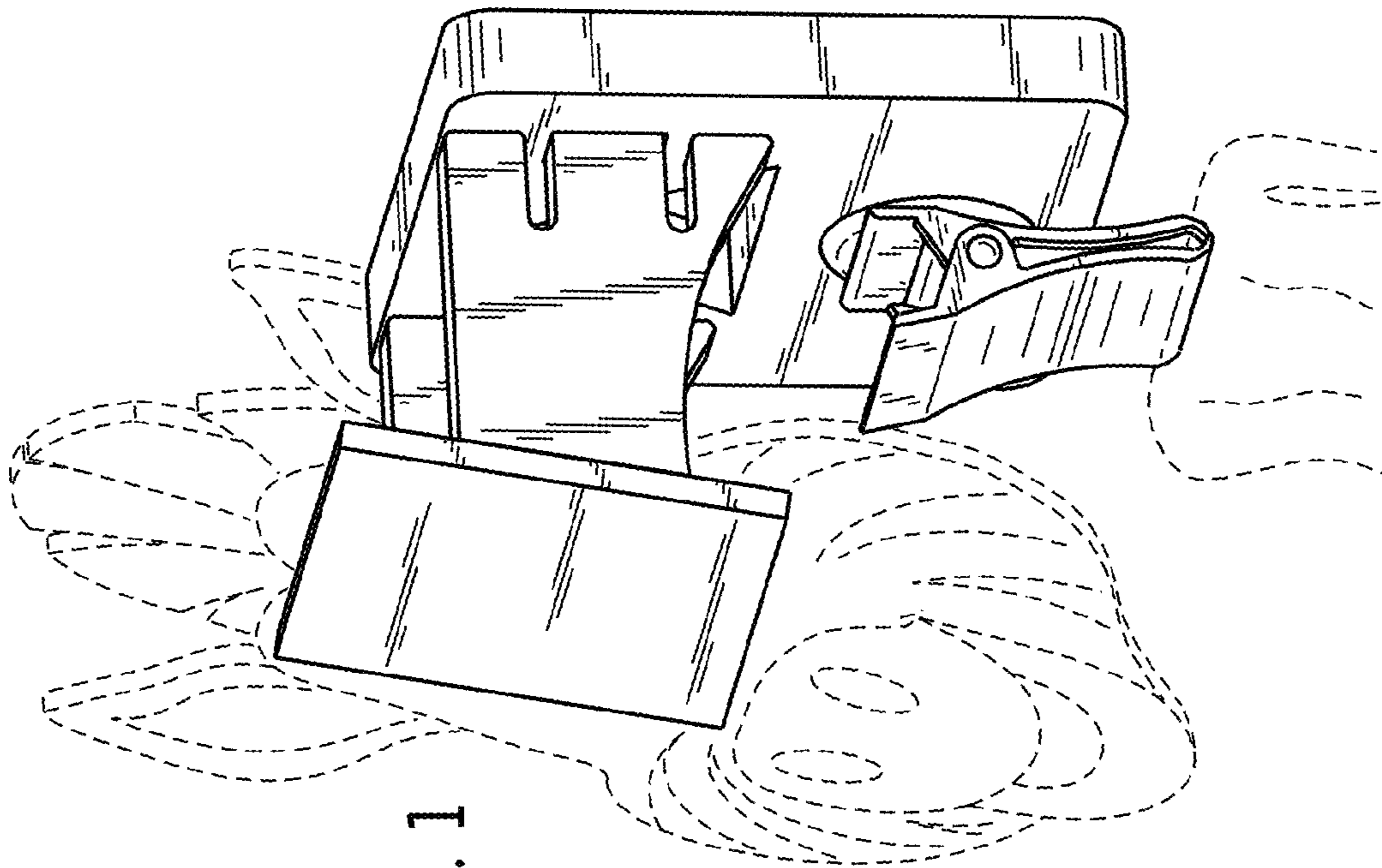


FIG. 1

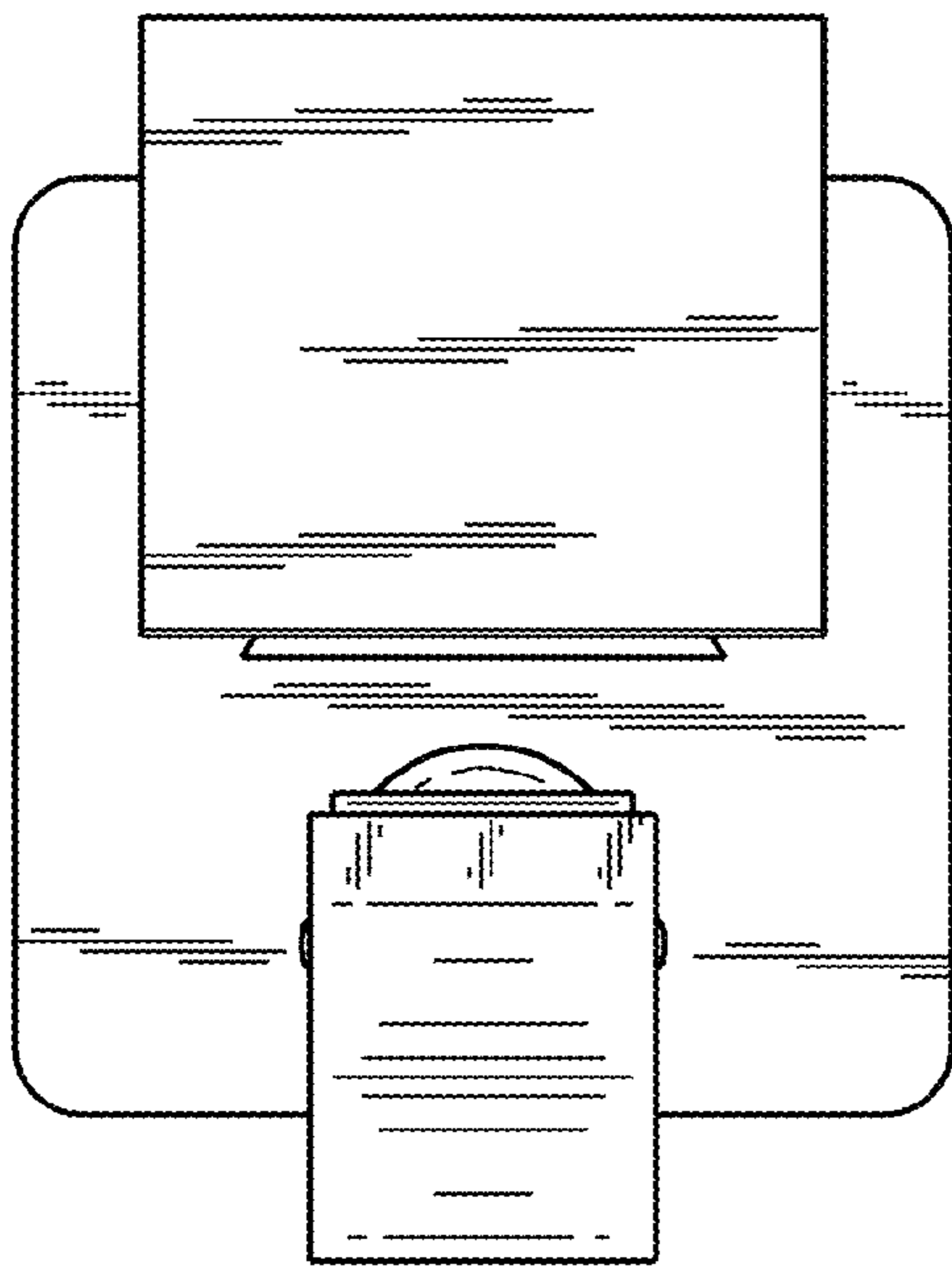


FIG. 3

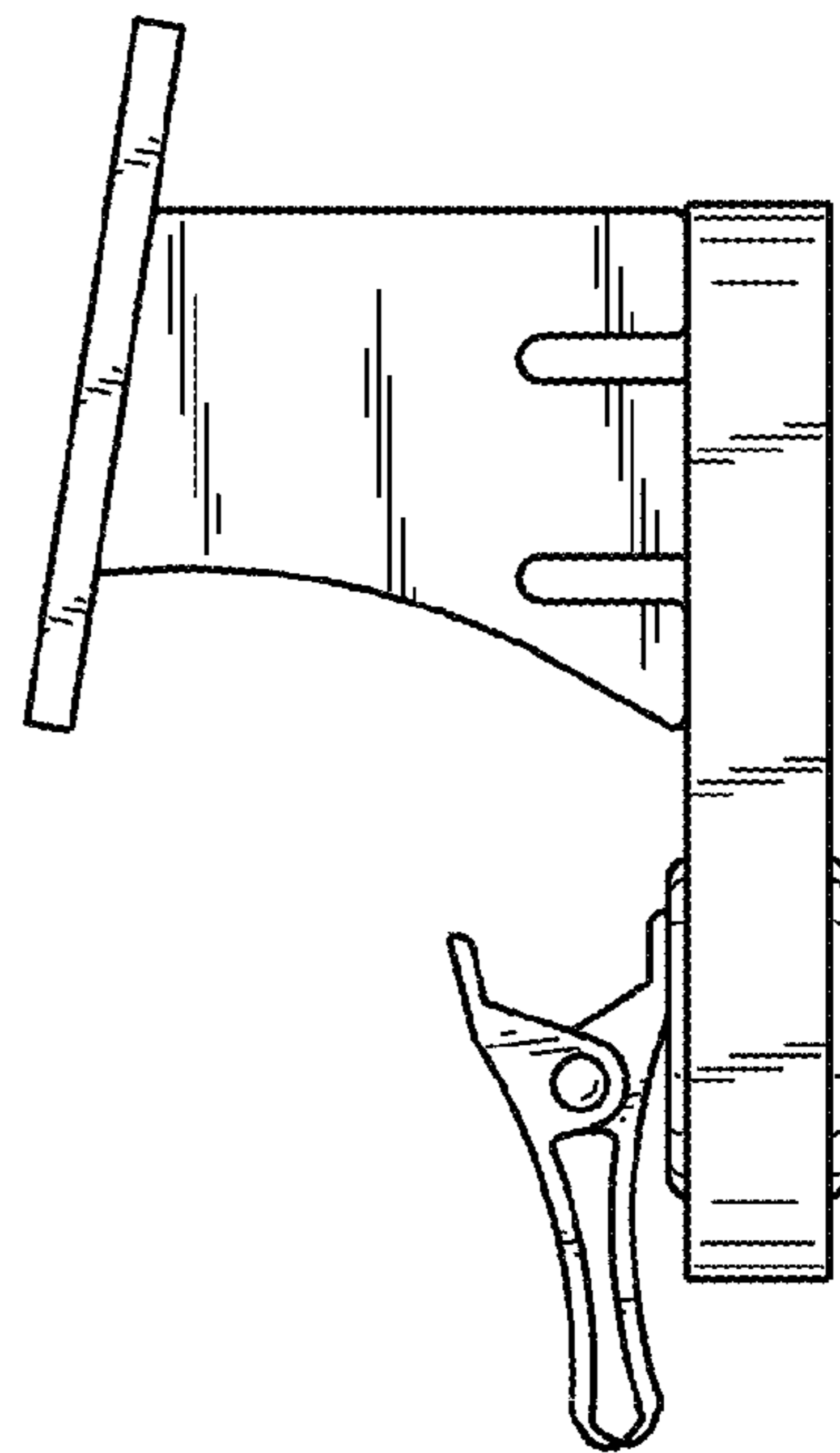


FIG. 4

FIG. 5

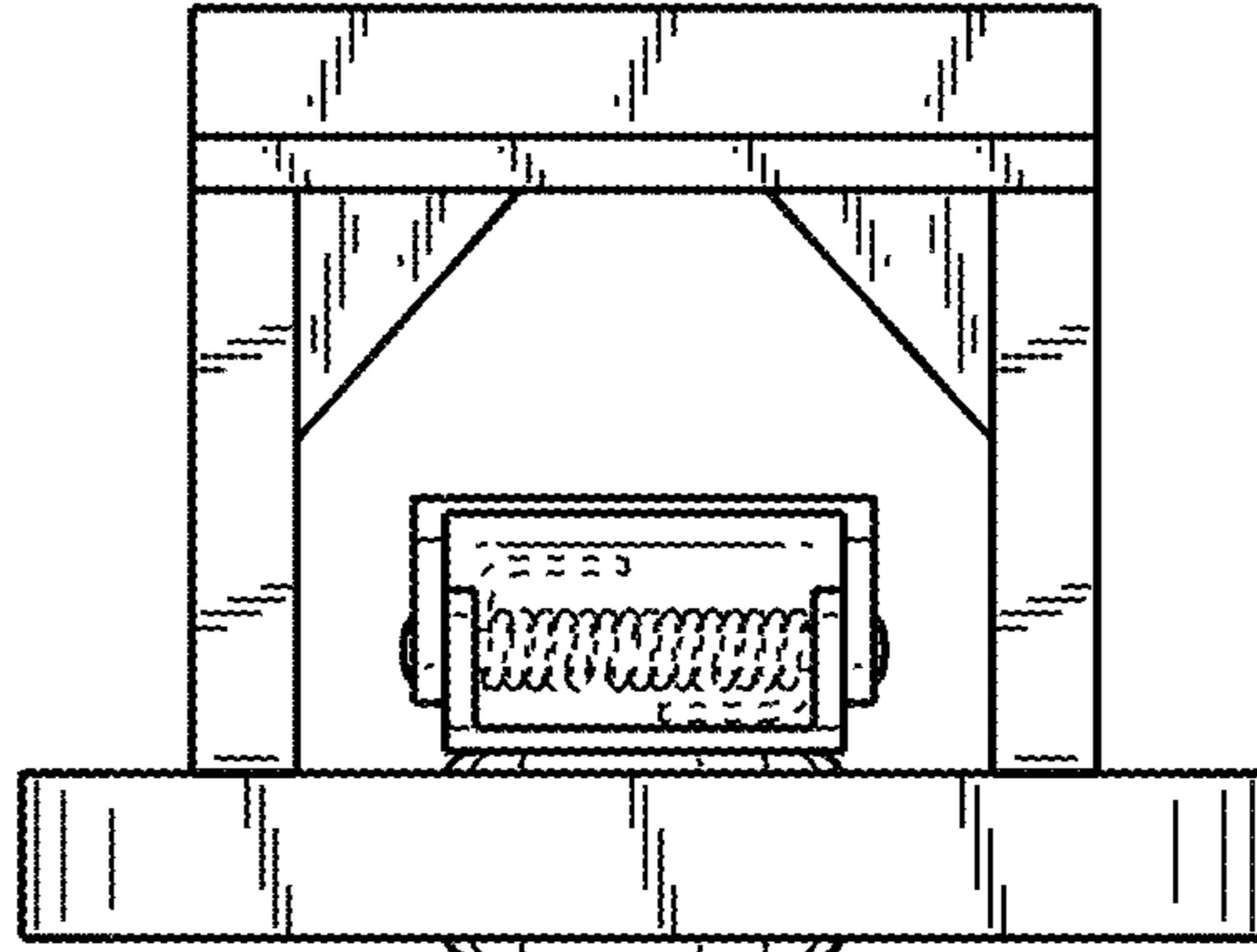


FIG. 6

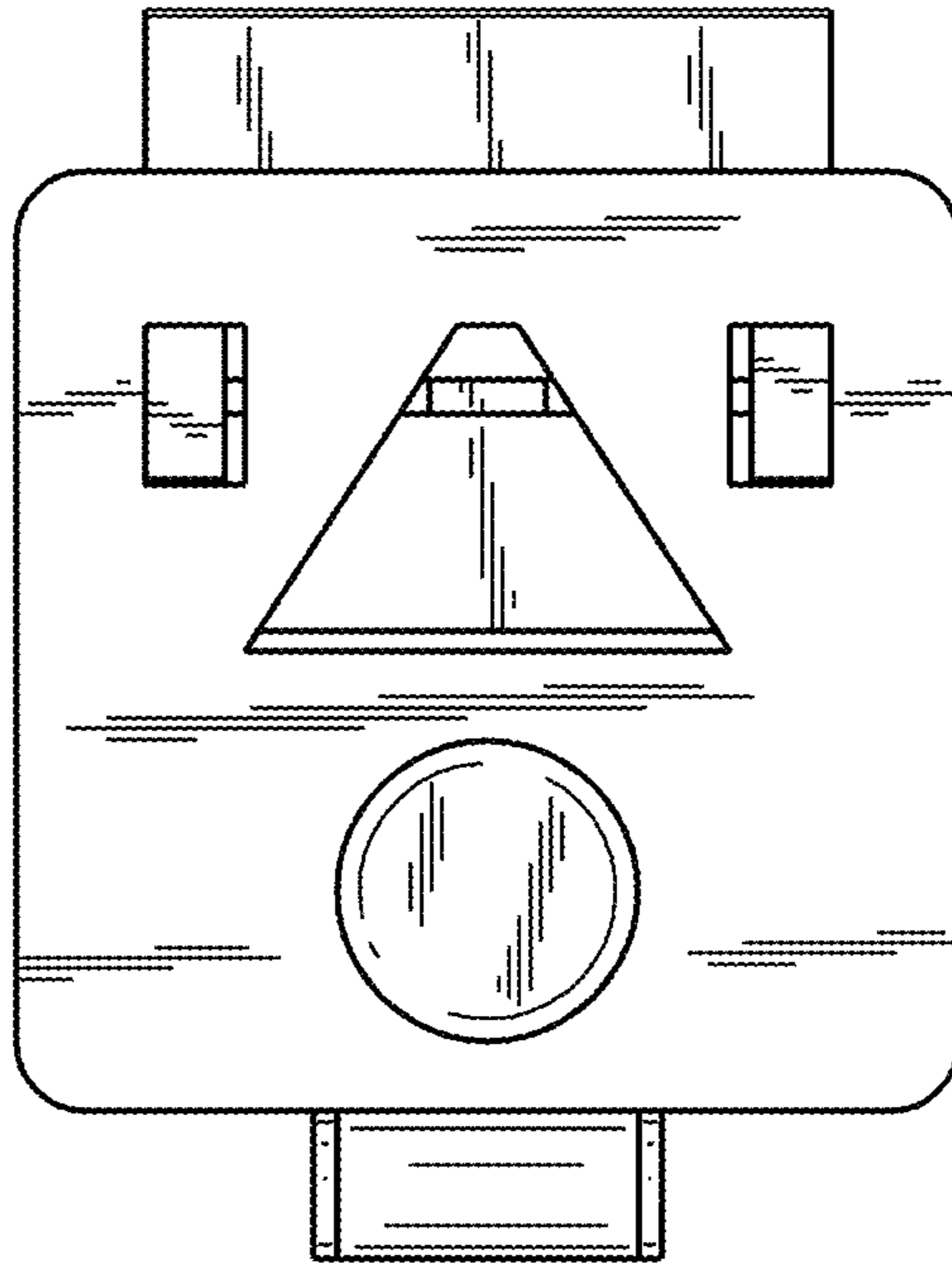


FIG. 7

