



US00D683561S

(12) **United States Design Patent**
Floyd et al.

(10) **Patent No.:** **US D683,561 S**
(45) **Date of Patent:** **** Jun. 4, 2013**

(54) **STAND FOR A RAZOR**

(75) Inventors: **Brian Lee Floyd**, Cincinnati, OH (US);
Brandon Albert Lynne, Daly City, CA
(US); **Jesse Samuel Madsen**, Oakland,
CA (US)

(73) Assignee: **The Gillette Company**, Boston, MA
(US)

(**) Term: **14 Years**

(21) Appl. No.: **29/431,209**

(22) Filed: **Sep. 5, 2012**

(51) **LOC (9) Cl.** **28-03**

(52) **U.S. Cl.**
USPC **D6/526**

(58) **Field of Classification Search**
USPC D6/526, 524, 540, 534, 528; 211/13.1,
211/70.6, 87.01, 89.01, 66, 86.01; 248/200,
248/205.5, 309.1, 314, 127, 176.1; D9/749;
206/208, 209, 228, 361, 362, 362.1, 362.2,
206/362.3

See application file for complete search history.

(56) **References Cited**

U.S. PATENT DOCUMENTS

D335,599 S * 5/1993 Novak D6/526
D425,255 S * 5/2000 Chen D6/526
D544,264 S * 6/2007 Gallagher D6/524

D576,436 S * 9/2008 Provost et al. D6/526
D632,110 S * 2/2011 Cooper D6/526
D634,955 S * 3/2011 Cavazos Jimenez et al. .. D6/526
D635,384 S * 4/2011 Yoon D6/526

OTHER PUBLICATIONS

U.S. Appl. No. 29/431,215, filed Sep. 5, 2012, Brian L. Floyd et al.
U.S. Appl. No. 29/431,222, filed Sep. 5, 2012, Brian L. Floyd et al.

* cited by examiner

Primary Examiner — Brian N Vinson

(74) *Attorney, Agent, or Firm* — Kevin C. Johnson; Steven
W. Miller

(57) **CLAIM**

The ornamental design for a stand for a razor, as shown and
described.

DESCRIPTION

FIG. 1 is a perspective view of a stand for a razor of the present
invention;

FIG. 2 is a front view thereof;

FIG. 3 is a rear view thereof;

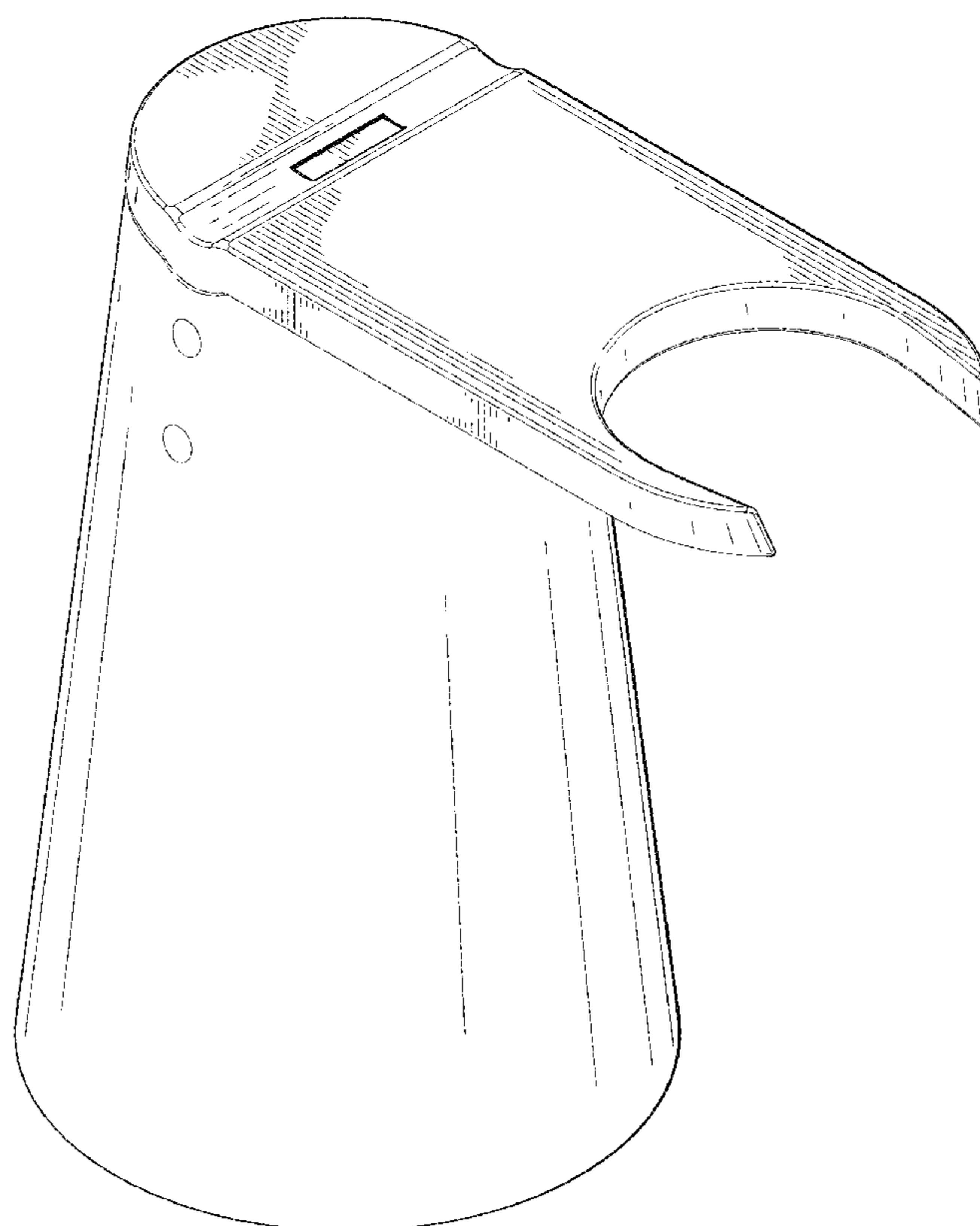
FIG. 4 is a right side view thereof;

FIG. 5 is a left side view thereof;

FIG. 6 is a top view thereof; and,

FIG. 7 is a bottom view thereof.

1 Claim, 6 Drawing Sheets



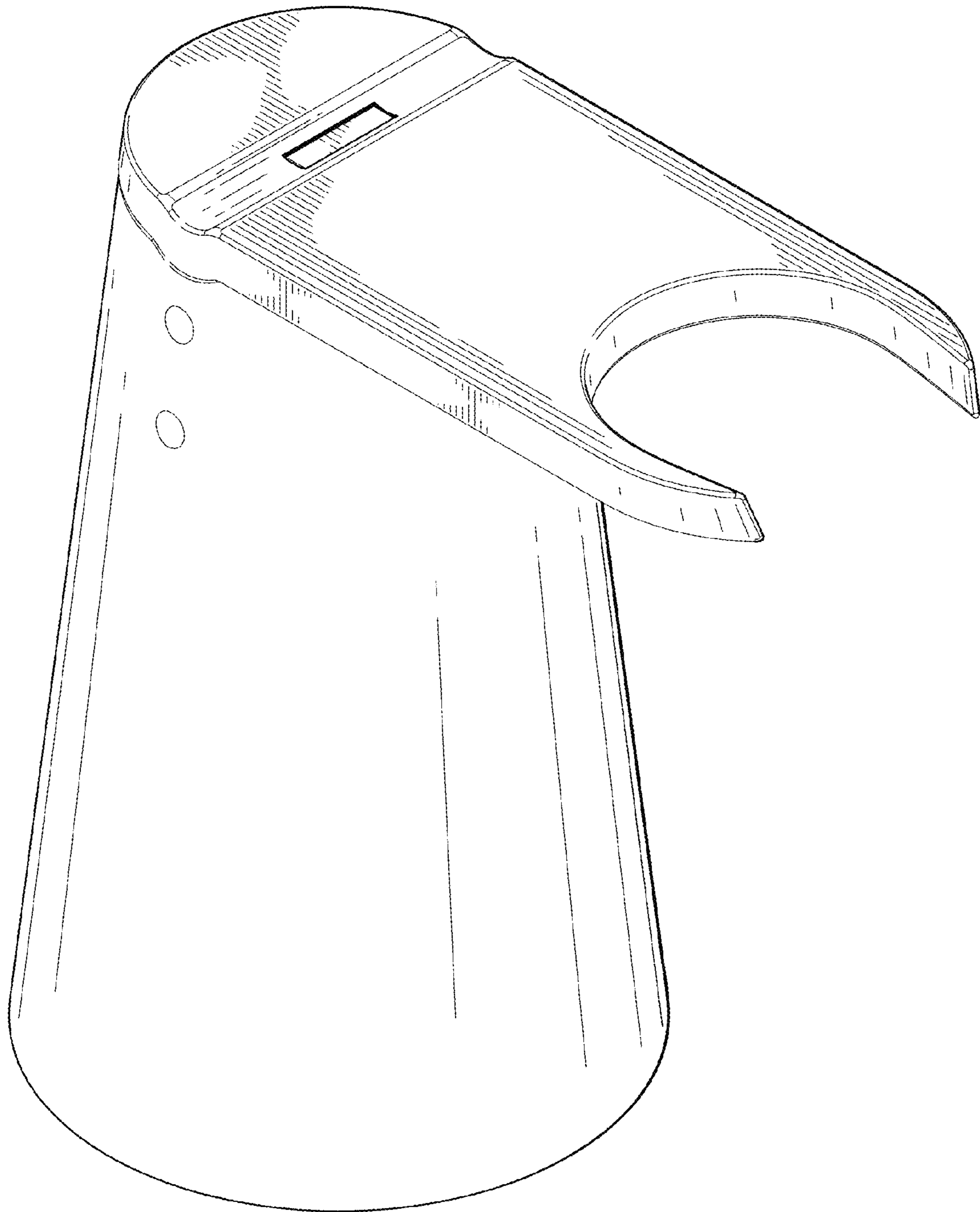


FIG. 1

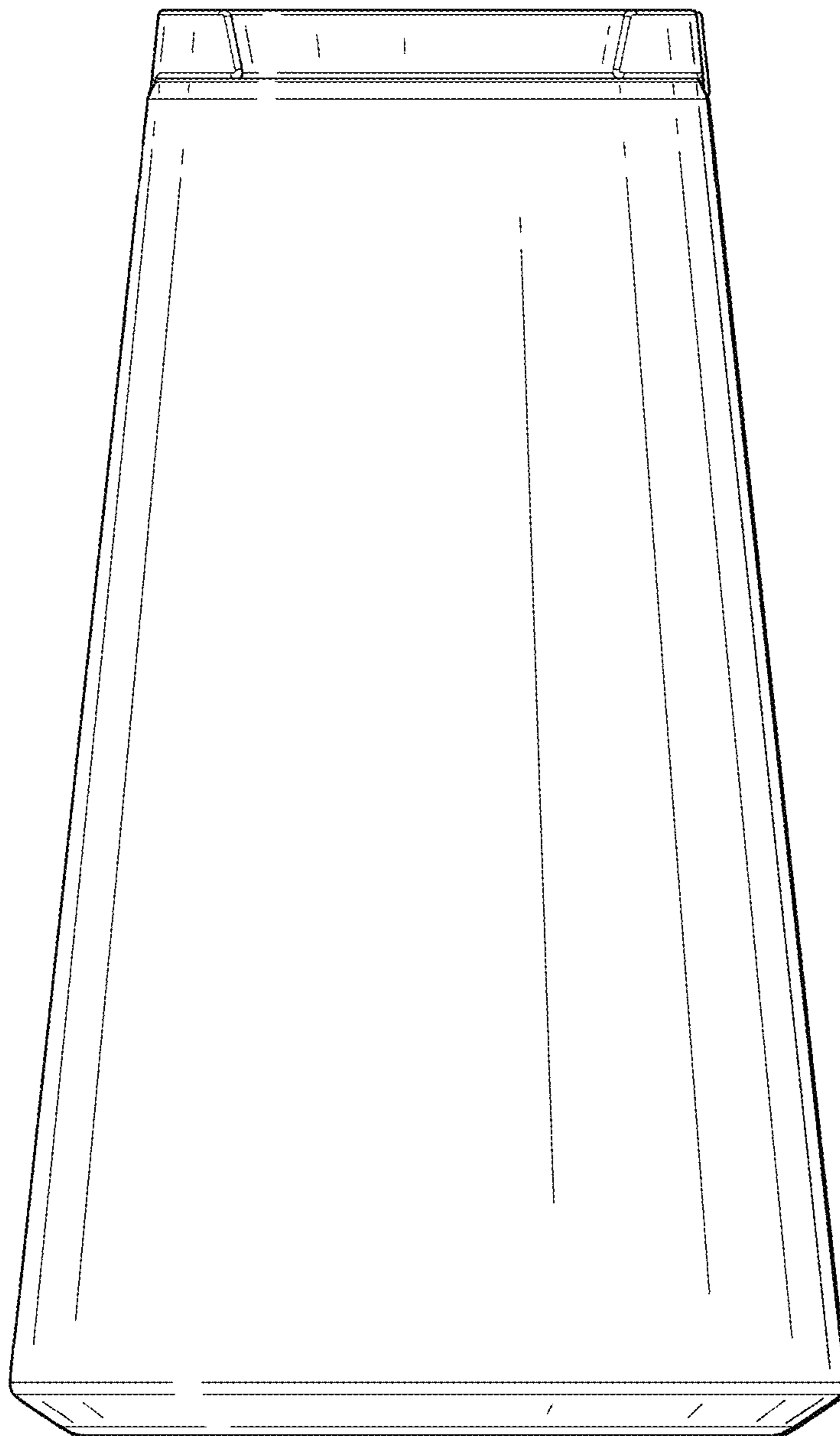


FIG. 2

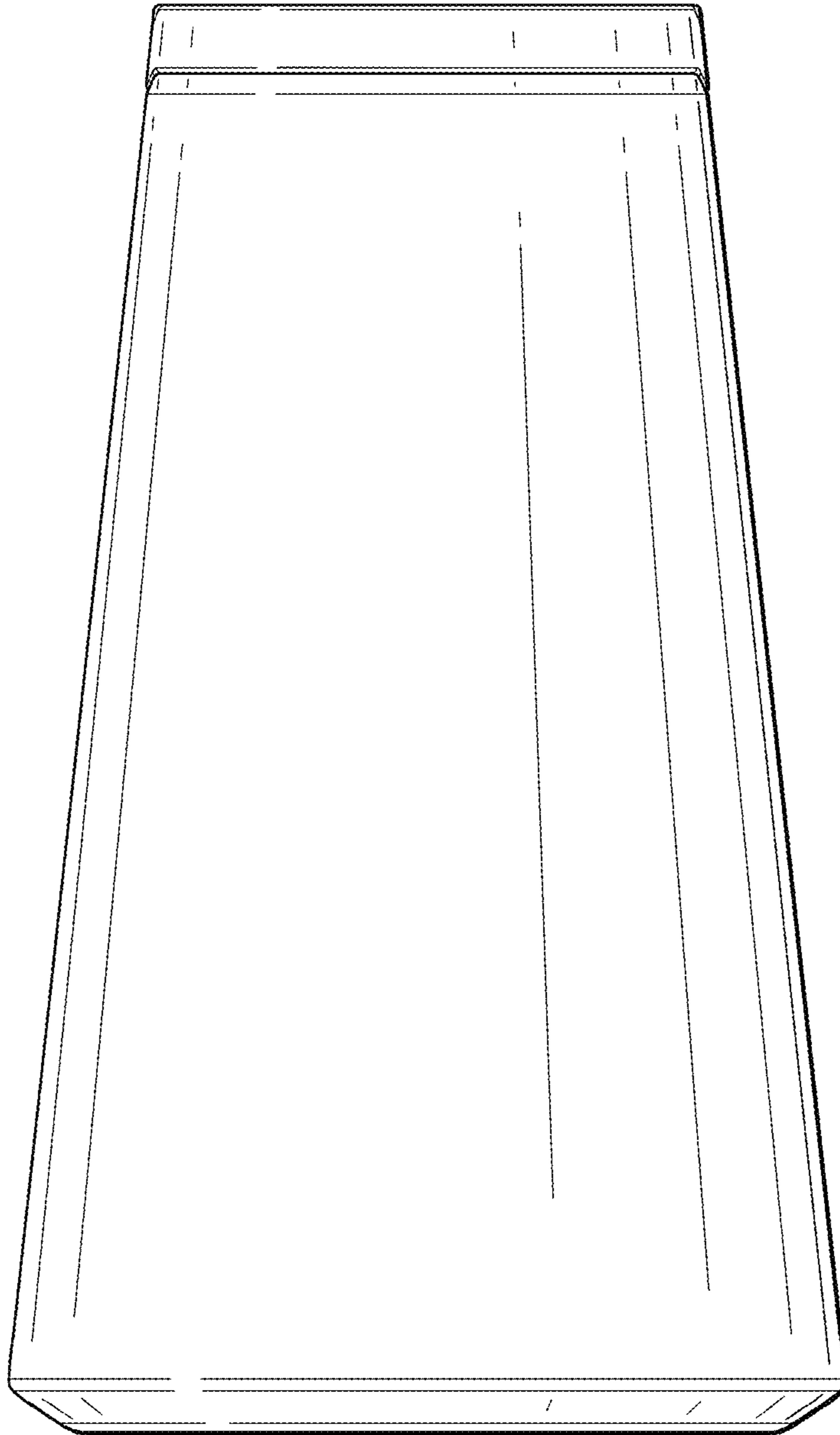


FIG. 3

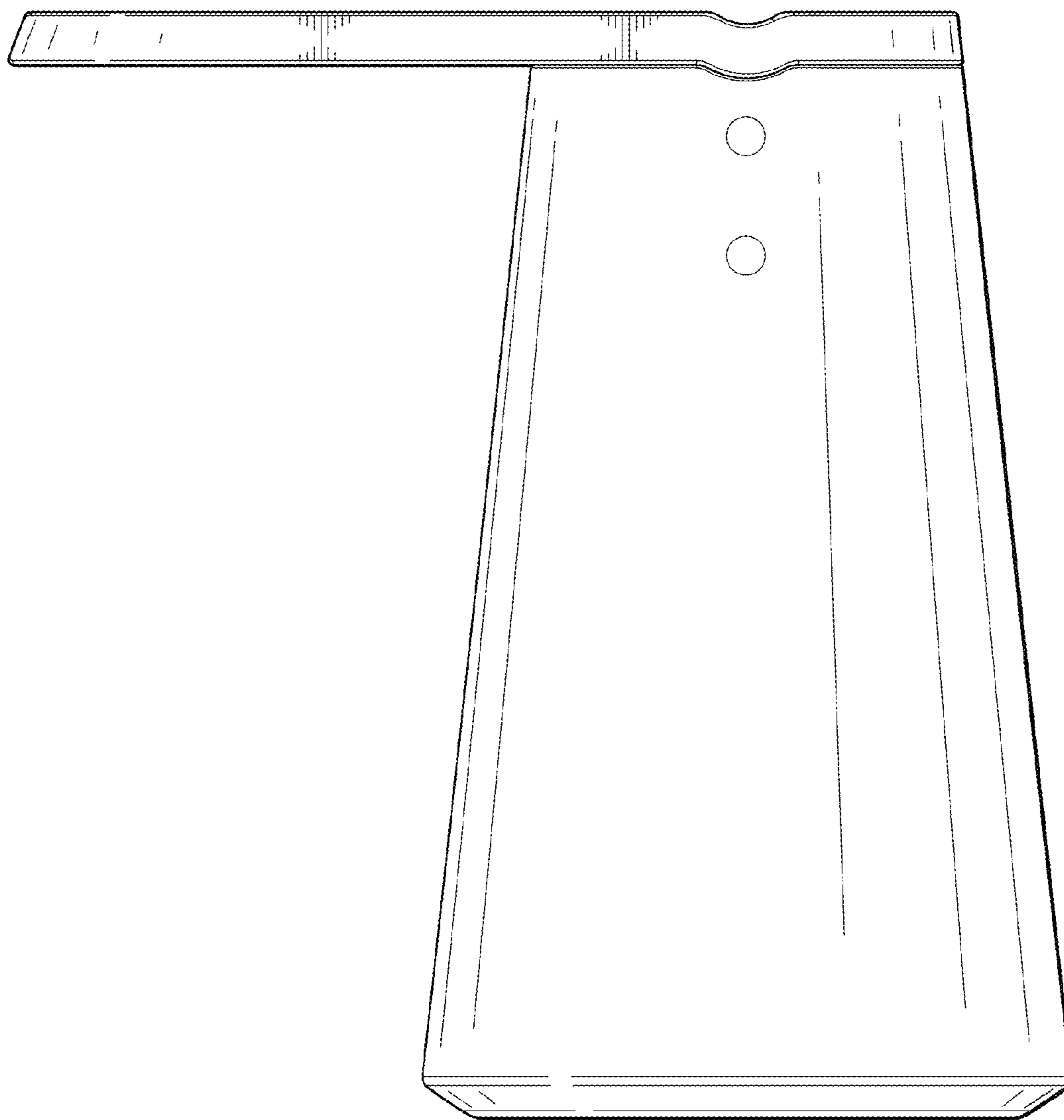


FIG. 4

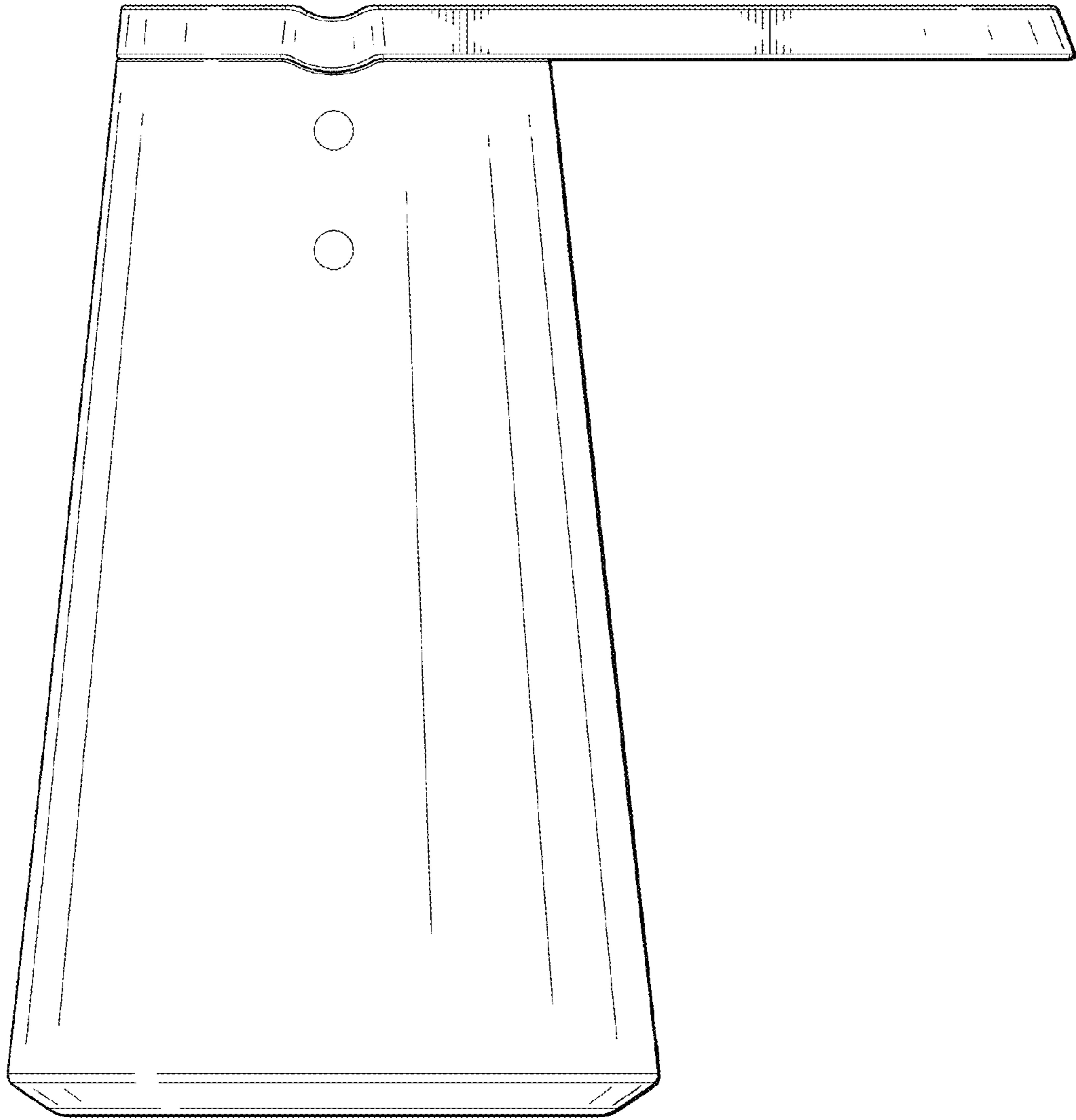


FIG. 5

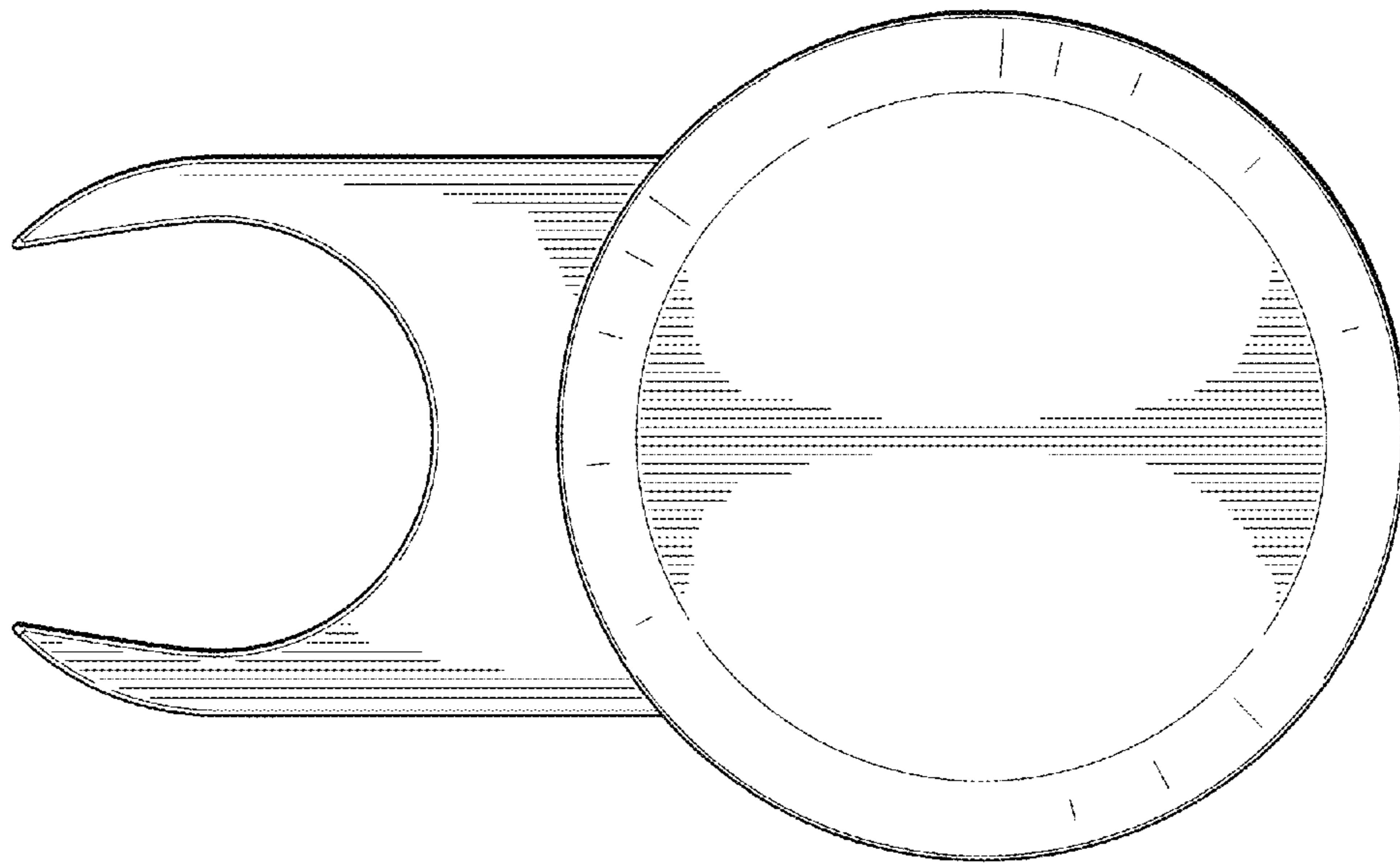


FIG. 7

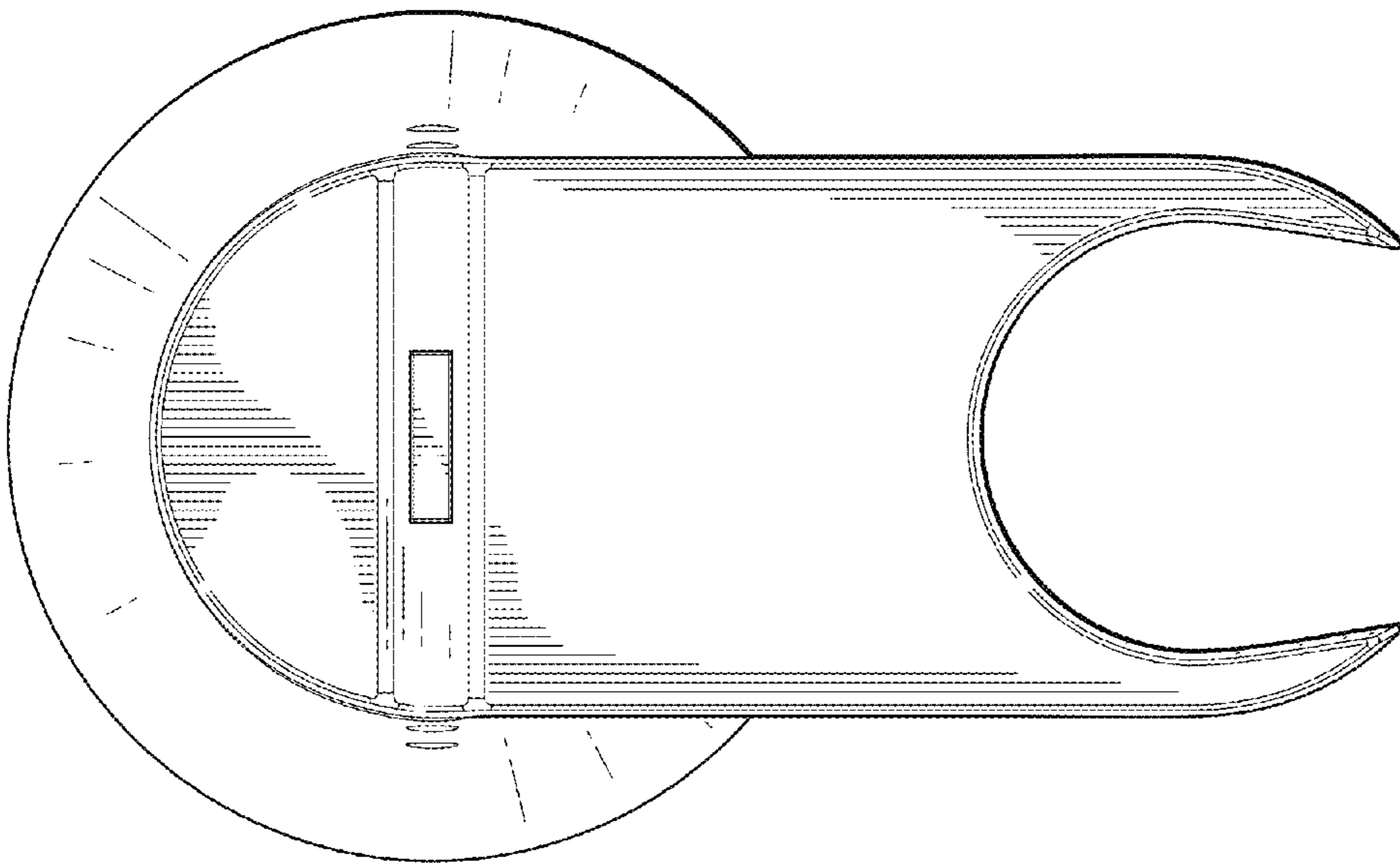


FIG. 6